

[54] HOUSING FOR A SIMULATED VIDEO SURVEILLANCE CAMERA

3,568,583 3/1971 Horberg, Jr. 358/229

[75] Inventors: Chris E. Loyd; Richard O. Norman, both of San Antonio, Tex.

[73] Assignee: Jack Hunter Investments, San Antonio, Tex.

[**] Term: 14 Years

[21] Appl. No.: 171,309

[22] Filed: Mar. 21, 1988

[52] U.S. Cl. D16/203; D16/202

[58] Field of Search D16/200, 201, 202, 203, D16/204, 205; 352/242; 354/288; 358/229, 906, 108

[56] References Cited

U.S. PATENT DOCUMENTS

D. 211,416	6/1968	Bozarth	D16/202
D. 255,362	6/1980	Coleman	D16/203
3,457,367	7/1969	Tyler	358/108

OTHER PUBLICATIONS

Radio and Television News, 5/1954, p. 148.

Primary Examiner—Melvin B. Feifer

Assistant Examiner—Adir Aronovich

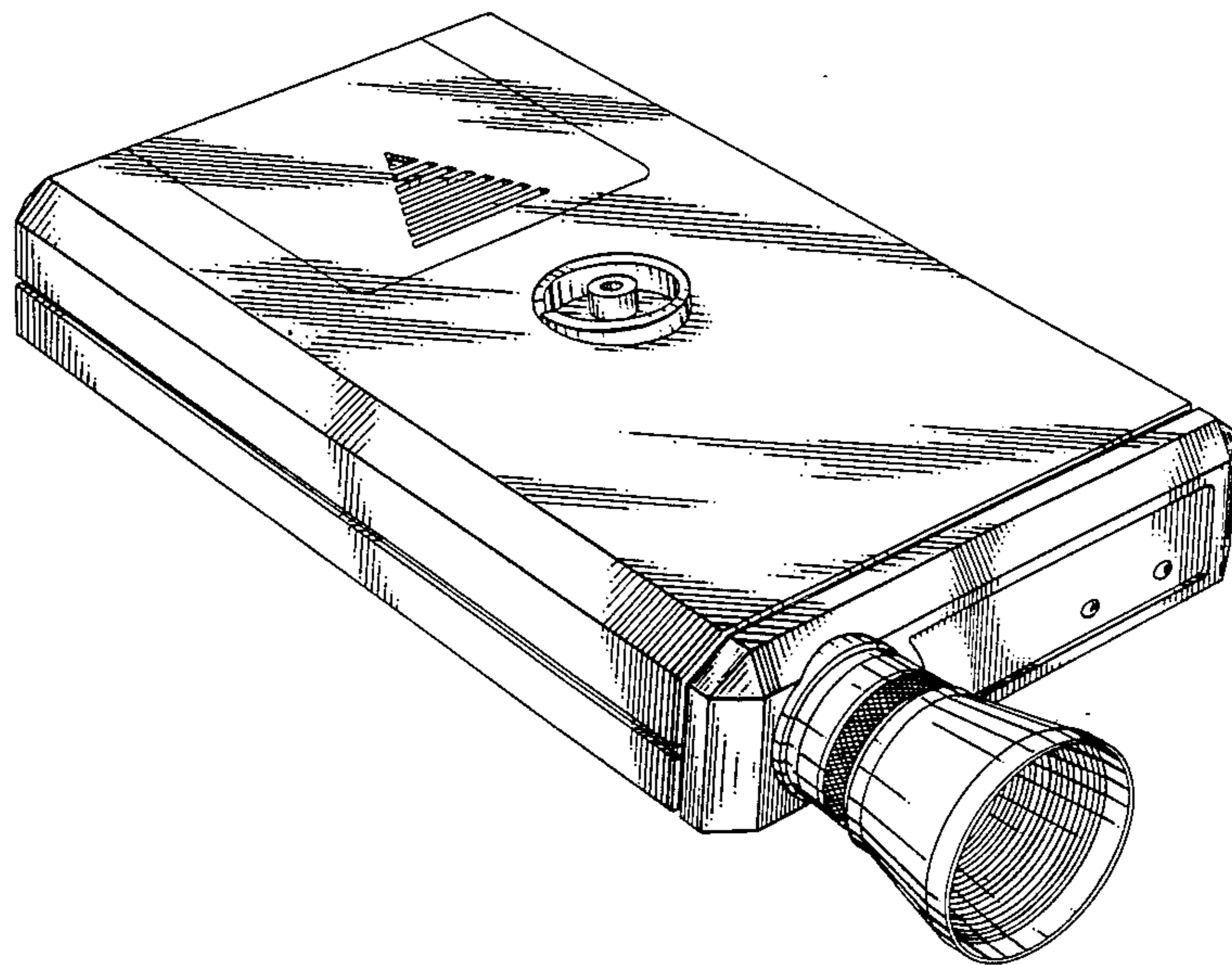
Attorney, Agent, or Firm—Thomas E. Sisson

[57] CLAIM

The ornamental design for a housing for a simulated video surveillance camera, as shown.

DESCRIPTION

FIG. 1 is a top plan view of a housing for a simulated video surveillance camera showing my new design; FIG. 2 is a bottom plan view thereof; FIG. 3 is a front elevation view thereof; FIG. 4 is a rear elevation view thereof; FIG. 5 is a right side elevation view thereof; FIG. 6 is a left side elevation view thereof; FIG. 7 is a top, front perspective view thereof; and FIG. 8 is a bottom, rear perspective view thereof.



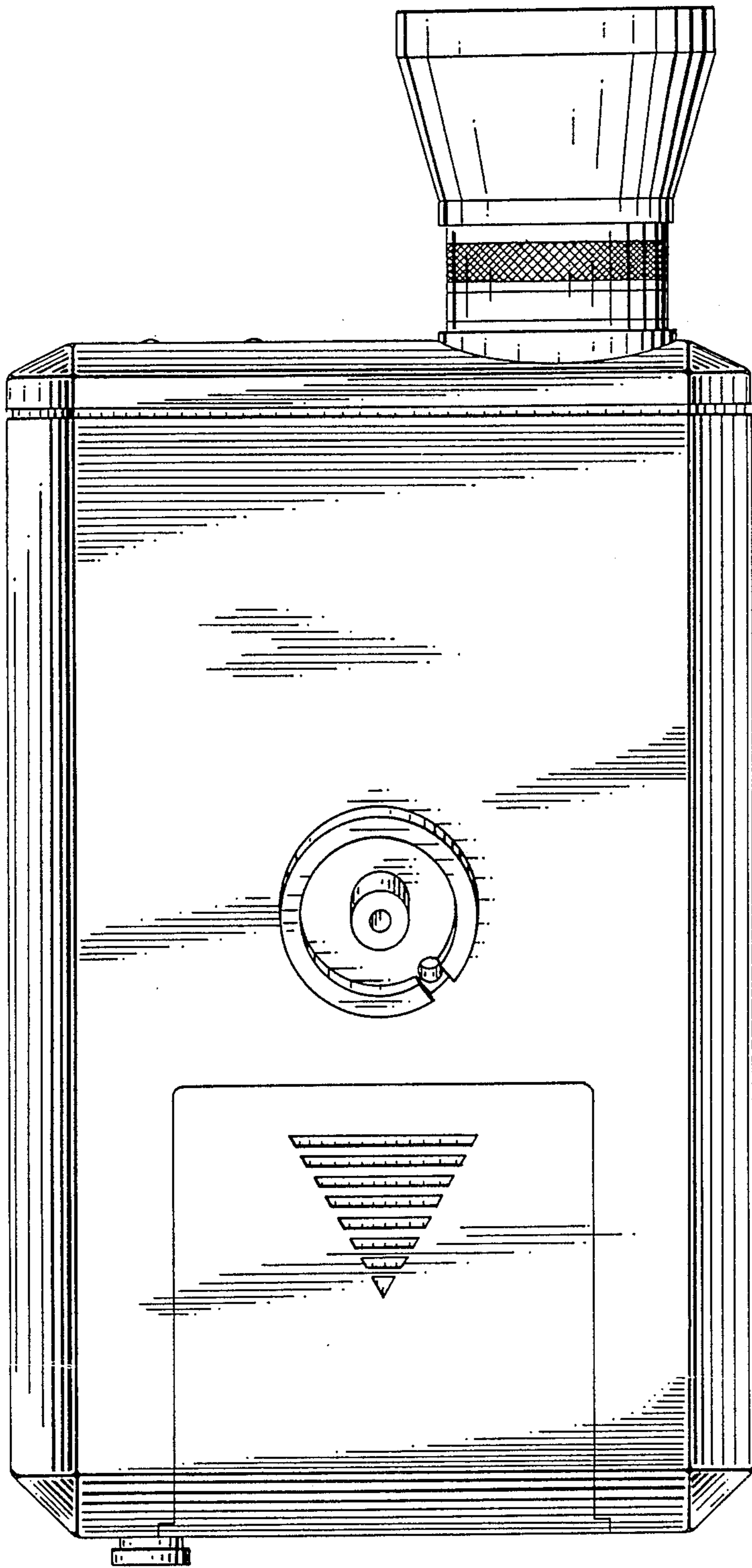


FIG. 1

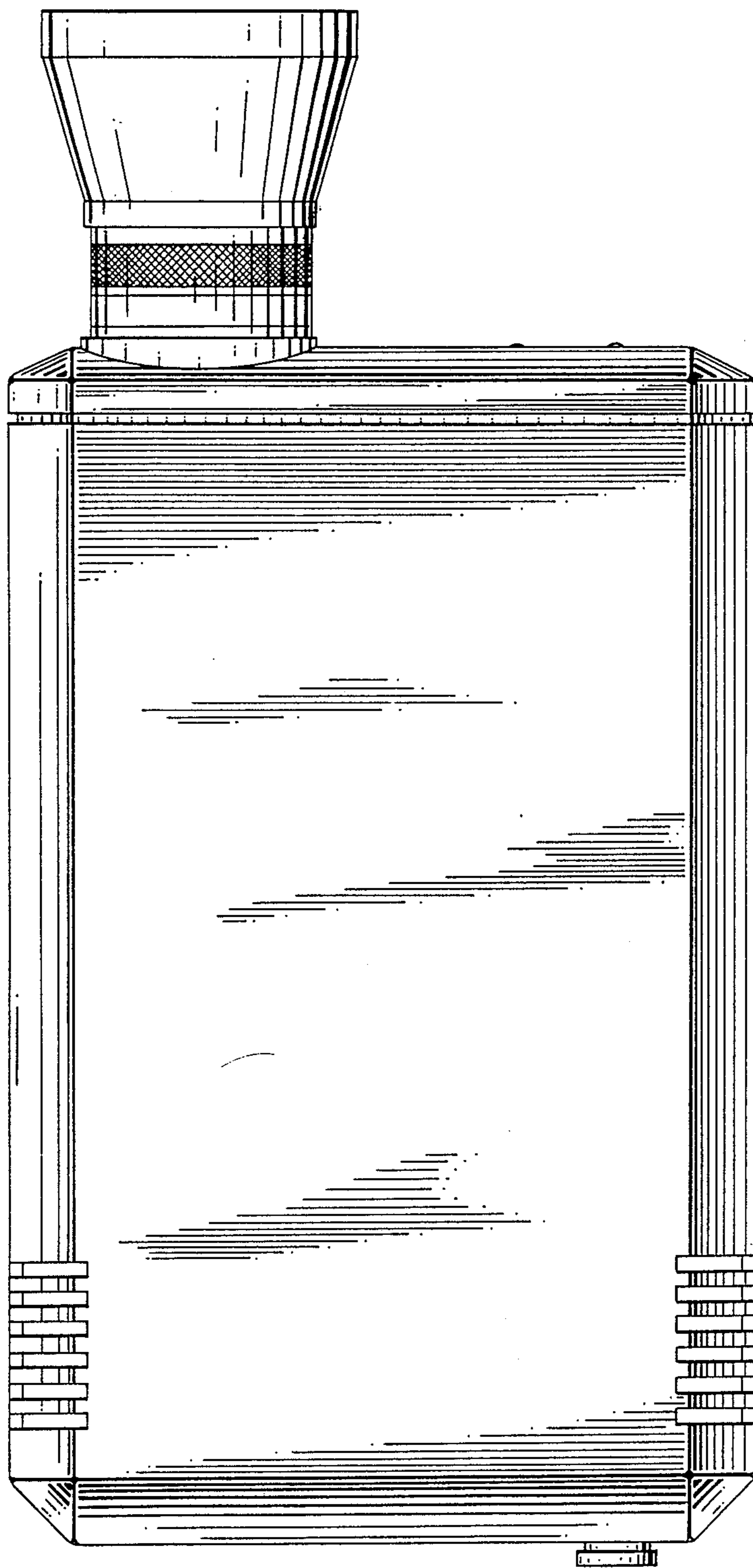


FIG. 2

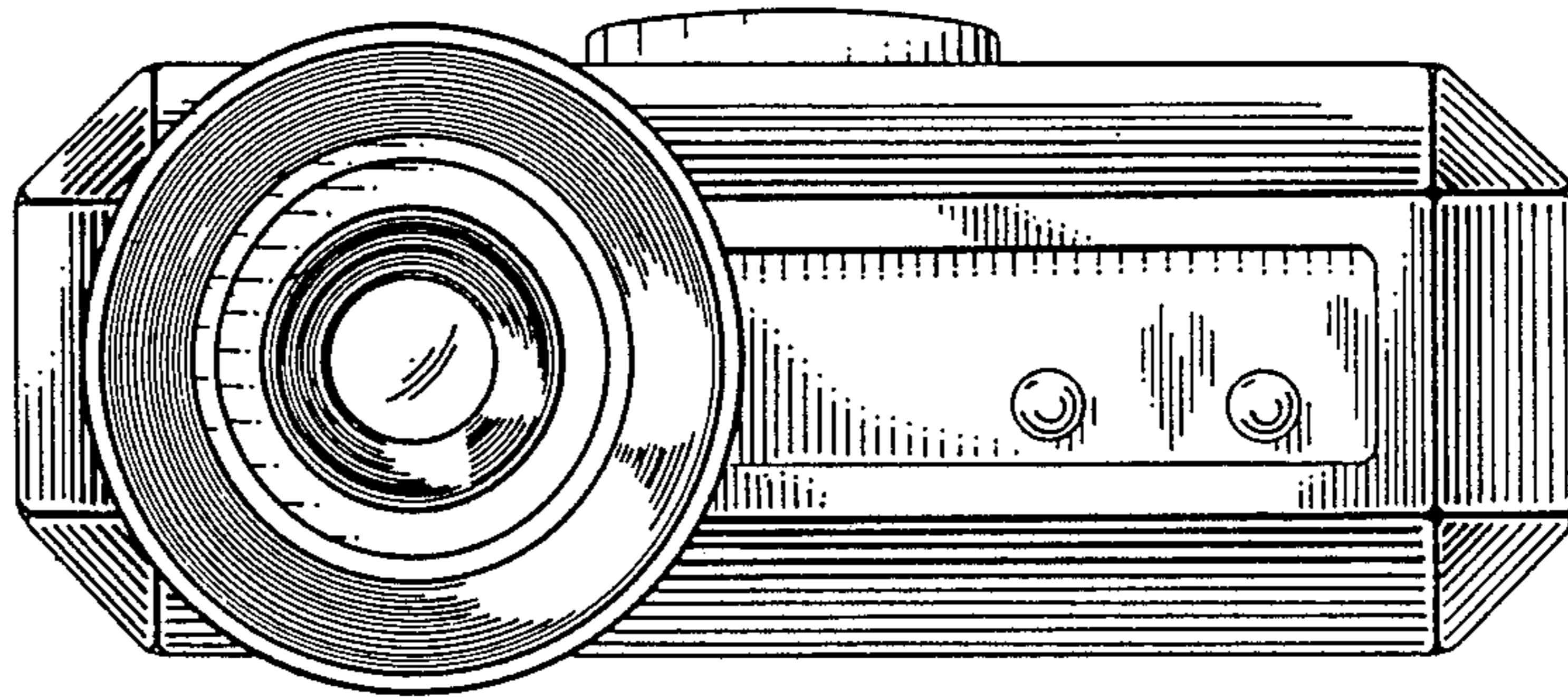


FIG. 3

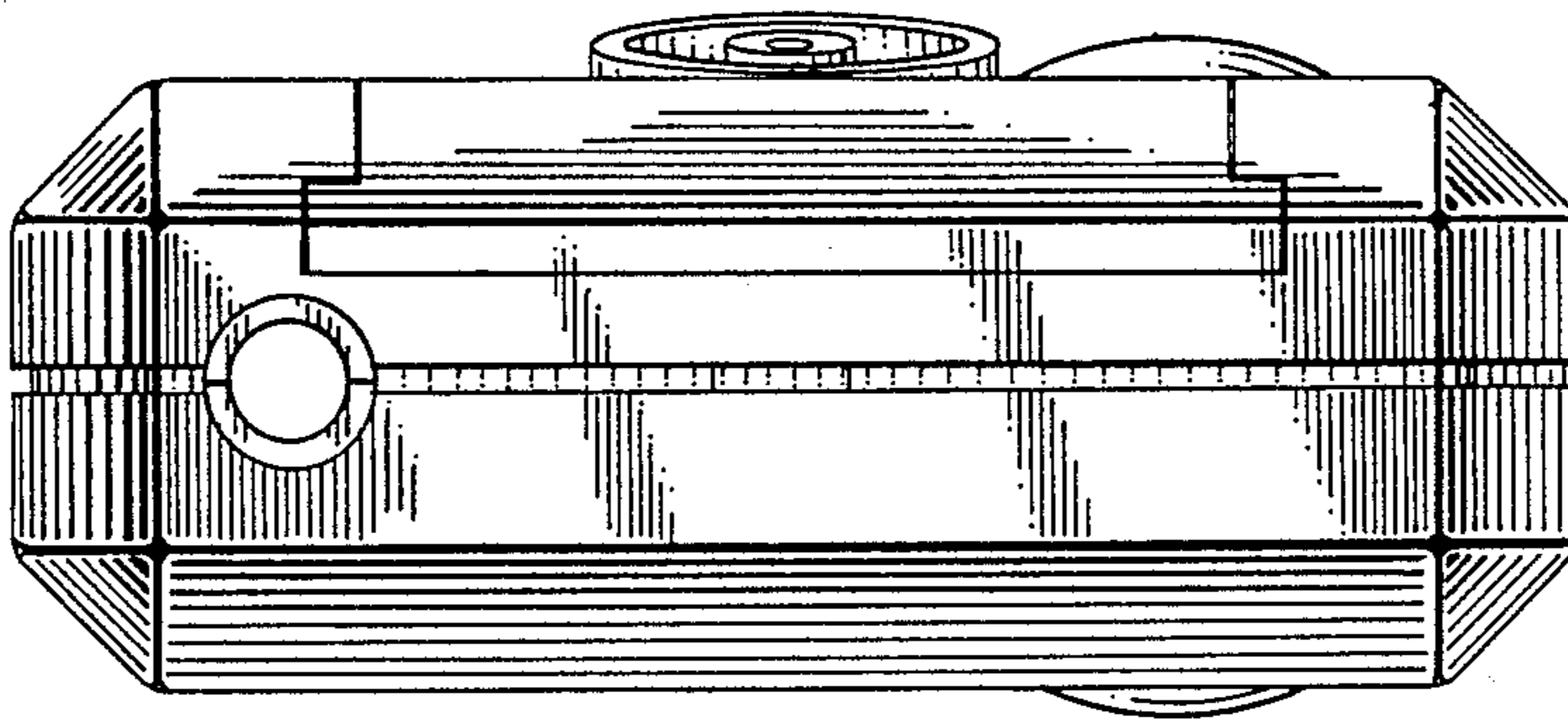


FIG. 4

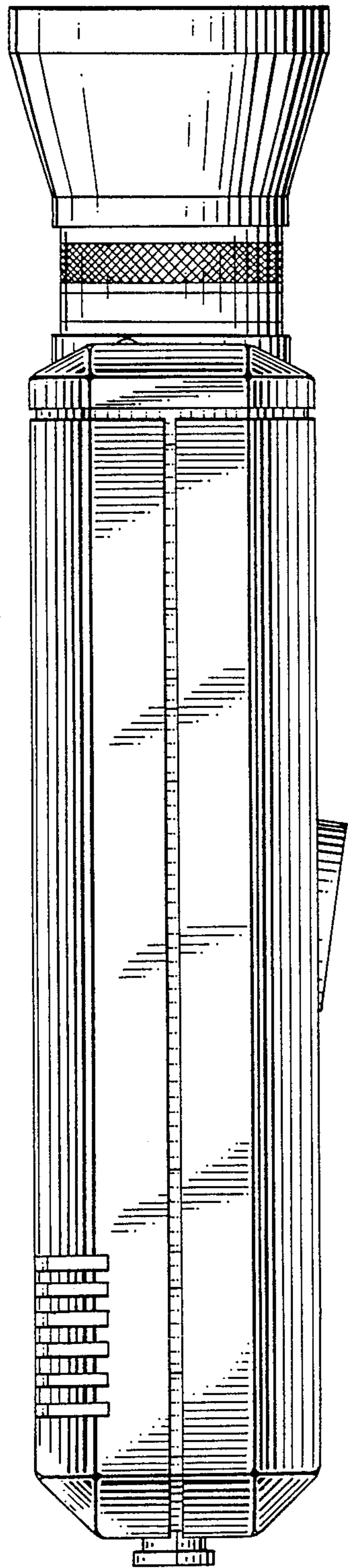


FIG. 5

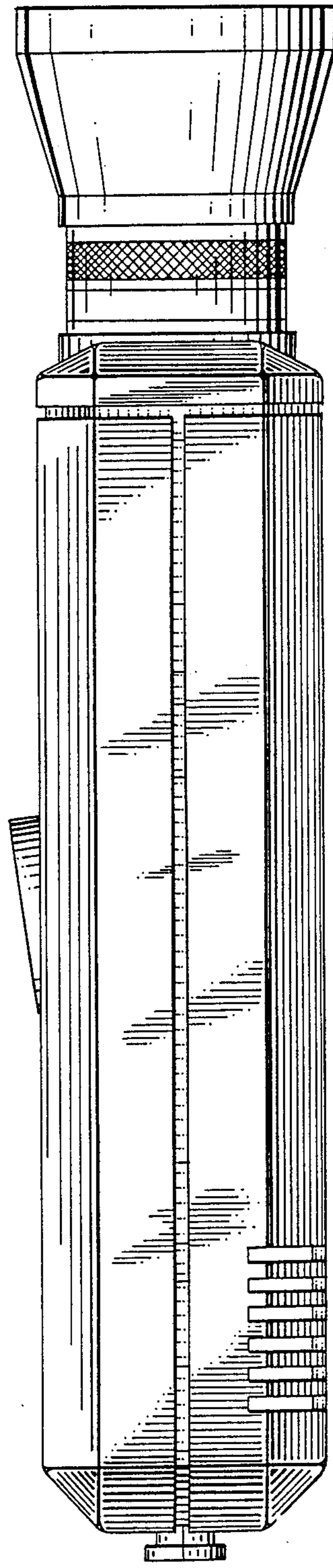


FIG. 6

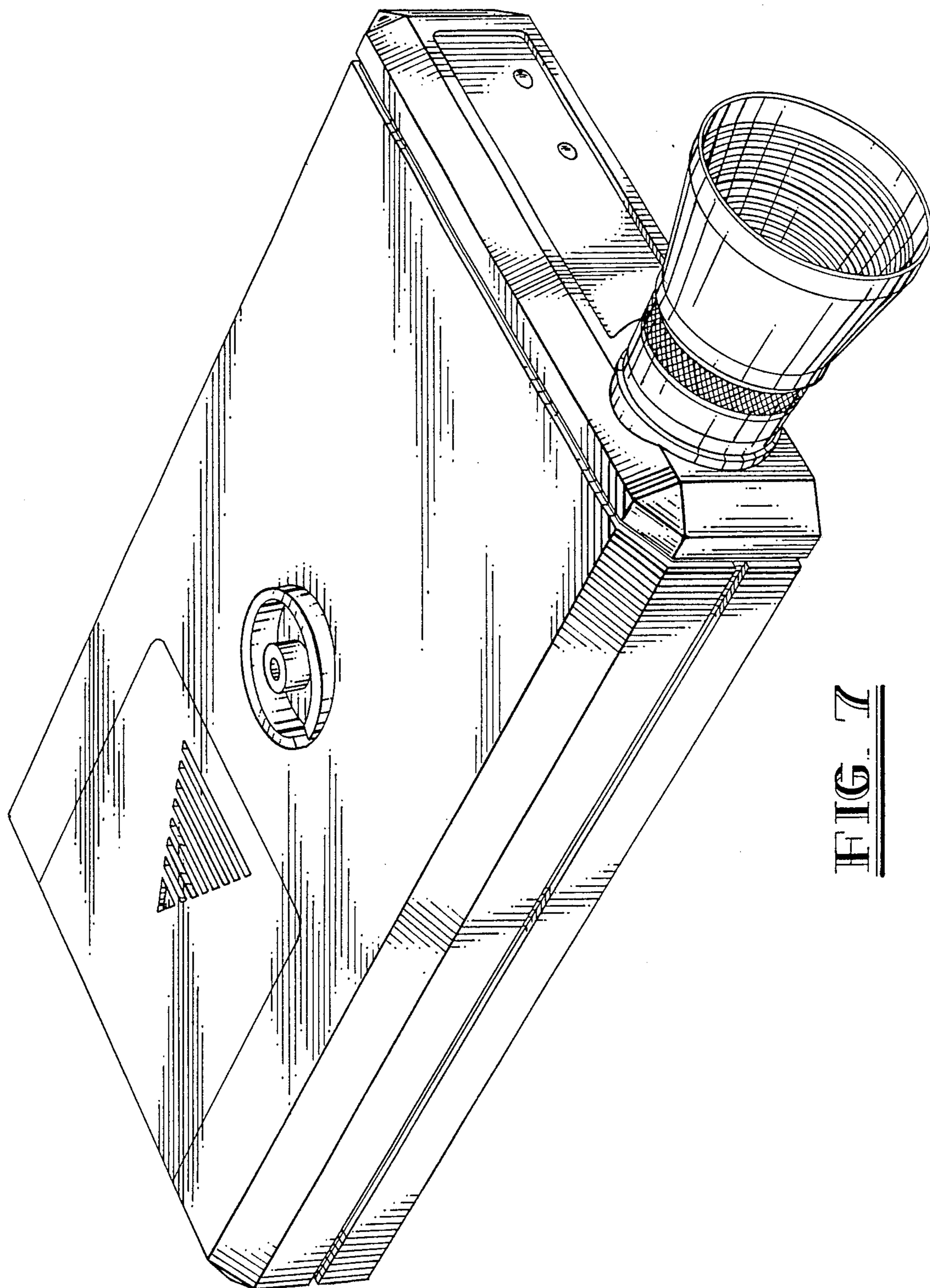


FIG. 7

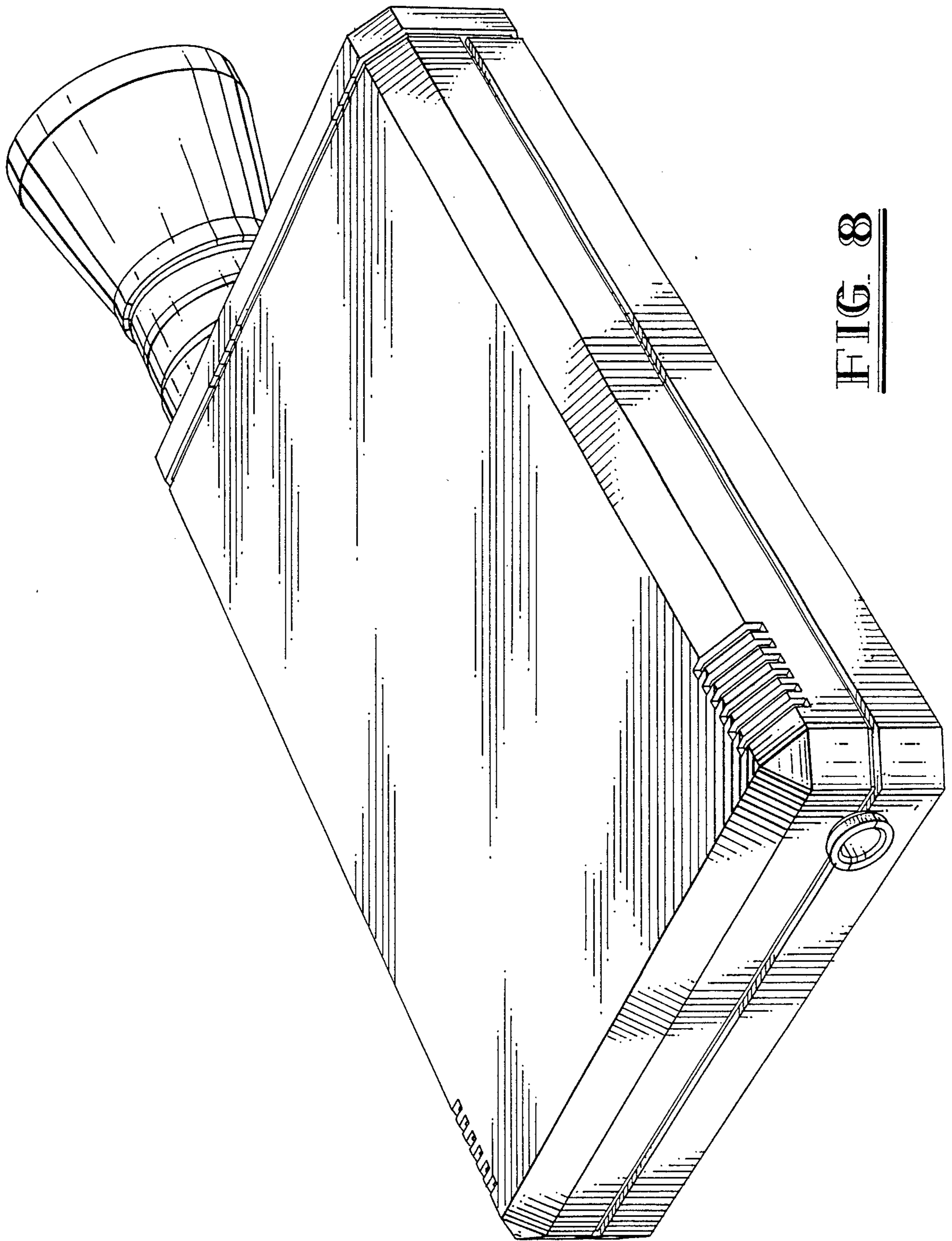


FIG. 8