

[54] TELESCOPE GUIDER

[76] Inventor: Jeffrey R. Charles, P.O. Box 1892, Camp Verde, Ariz. 86322

[**] Term: 14 Years

[21] Appl. No.: 83,797

[22] Filed: Jul. 24, 1987

[52] U.S. Cl. D16/132; D16/136

[58] Field of Search D16/132, 130, 134, 136, D16/137; 350/505, 557, 574, 80, 502, 537, 539; 354/79

[56] References Cited

U.S. PATENT DOCUMENTS

D. 173,045	9/1954	Smart	D16/137
D. 178,767	9/1956	De Grave, Jr.	D16/134
D. 203,882	2/1966	Hoogesteger	D16/134
2,628,529	2/1953	Braymer	350/505
2,753,760	7/1956	Braymer	350/49
3,151,205	9/1964	Sparer	350/574
3,153,690	10/1964	Kuyt et al.	350/563 X
3,468,597	9/1969	Jones	350/557
3,898,678	8/1975	Walworth	354/79

3,900,858	8/1975	McCann et al.	354/79
4,448,500	5/1984	Marling et al.	350/574
4,828,377	5/1989	Putland	350/537

OTHER PUBLICATIONS

The Sharper Image Catalog, Summer 1983, Tasco Telescope #ATA013.

Celestron 1981 General Catalog, center of p. 43, Off-Axis Guider Body.

Primary Examiner—A. Hugo Word

Assistant Examiner—Doris V. Coles

[57] CLAIM

The ornamental design for a telescope guider, as shown and described.

DESCRIPTION

FIG. 1 is a front elevational view of a telescope guider, showing my new design;

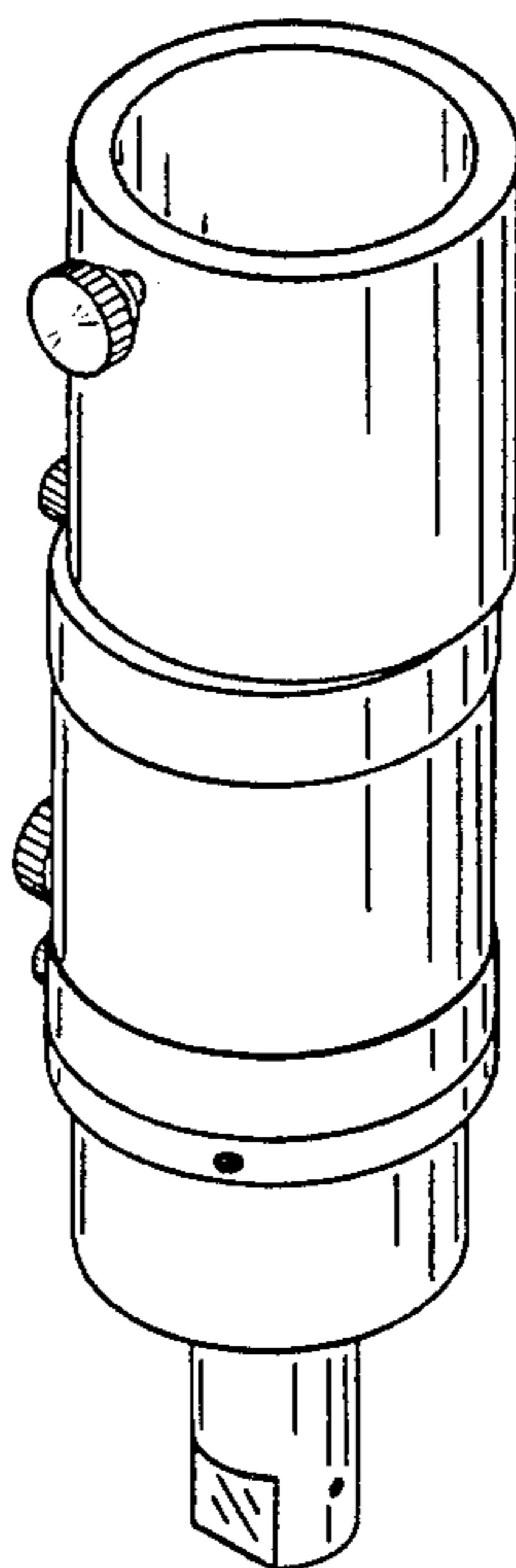
FIG. 2 is a right side elevational view thereof;

FIG. 3 is a right side elevational view, showing parts of the guider extended;

FIG. 4 is a top plan view thereof;

FIG. 5 is a bottom plan view thereof; and

FIG. 6 is a perspective view thereof.



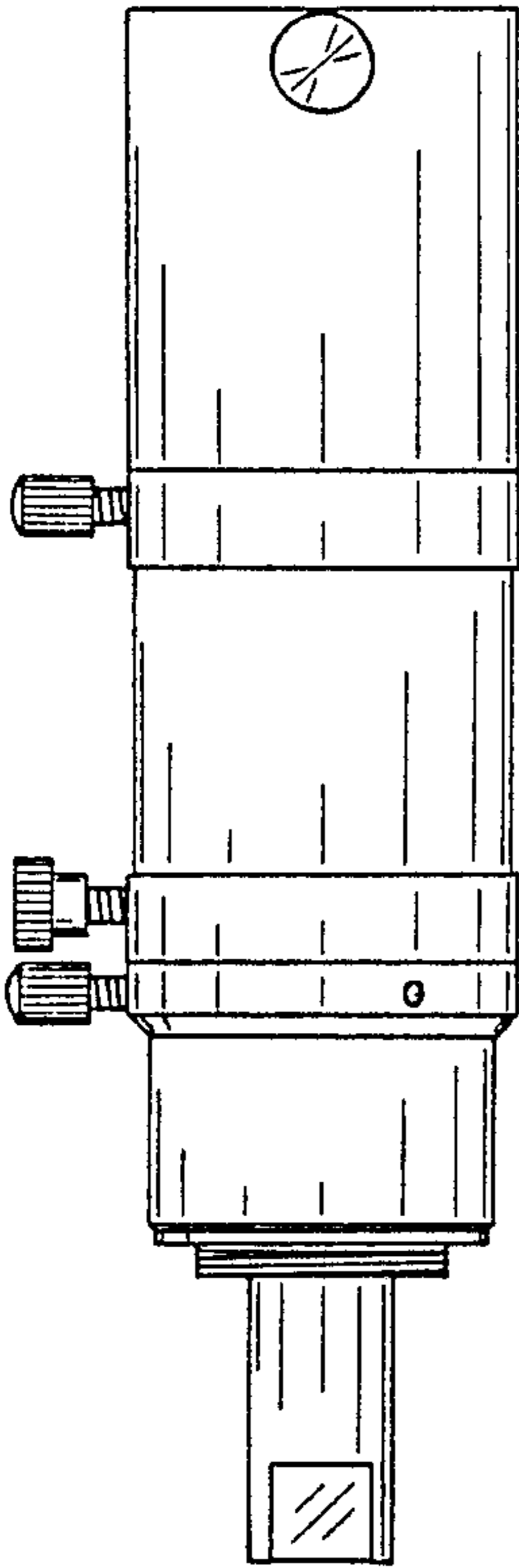


FIG. 1

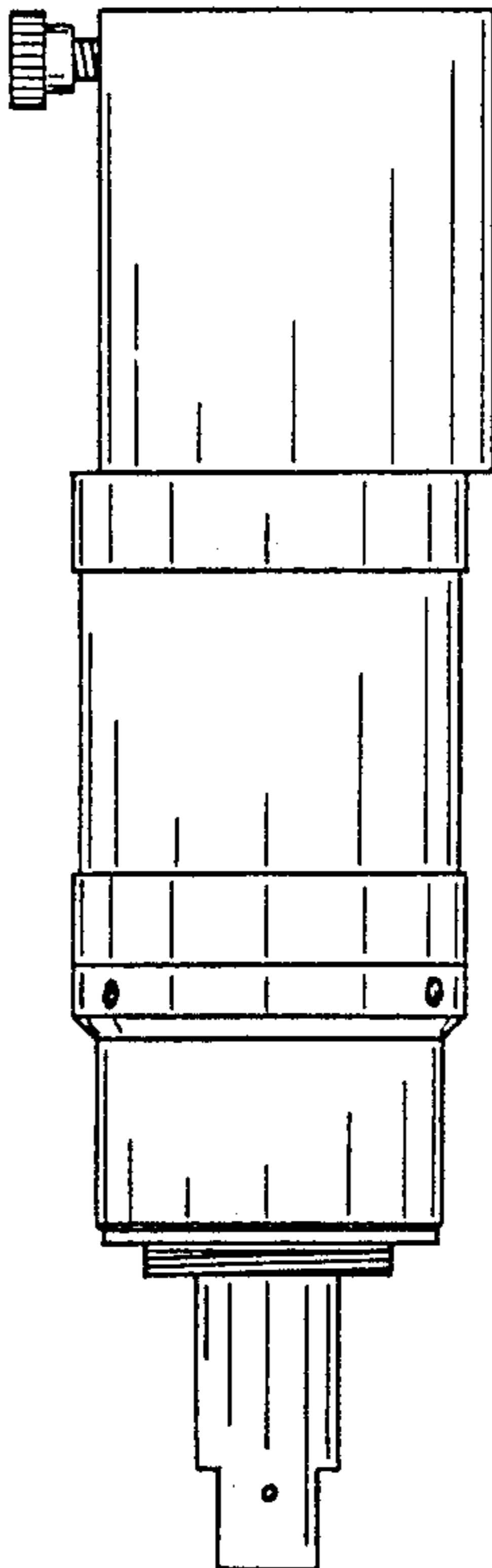


FIG. 2

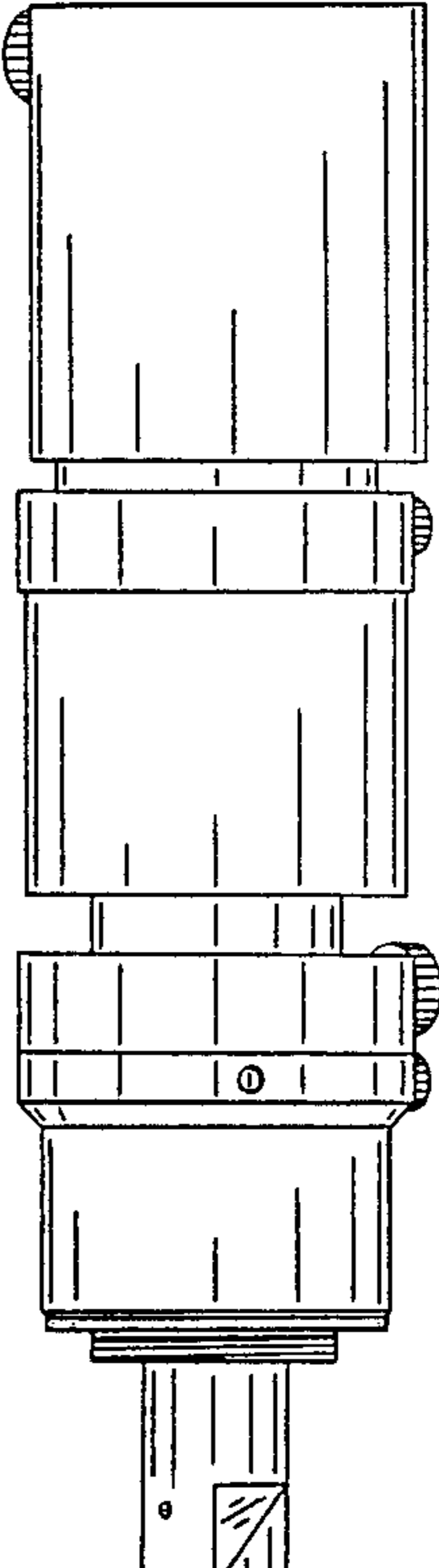


FIG. 3

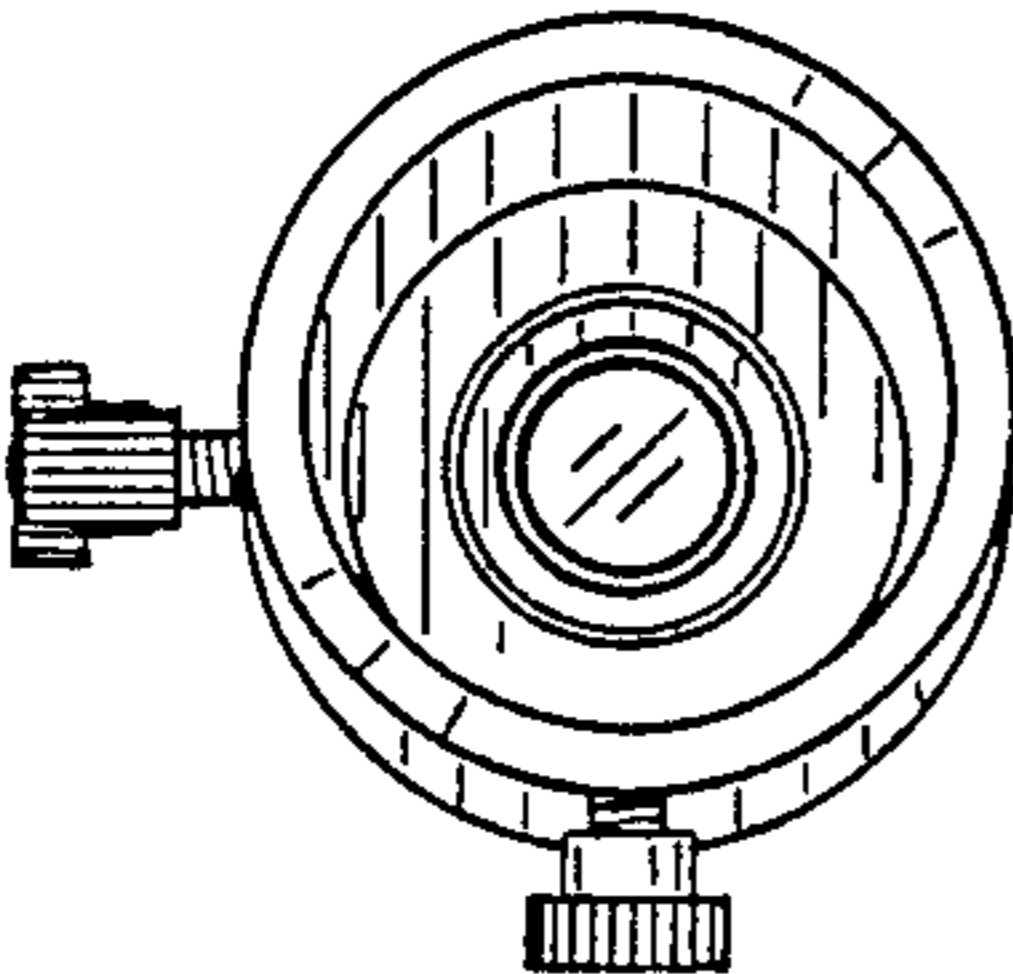


FIG. 4

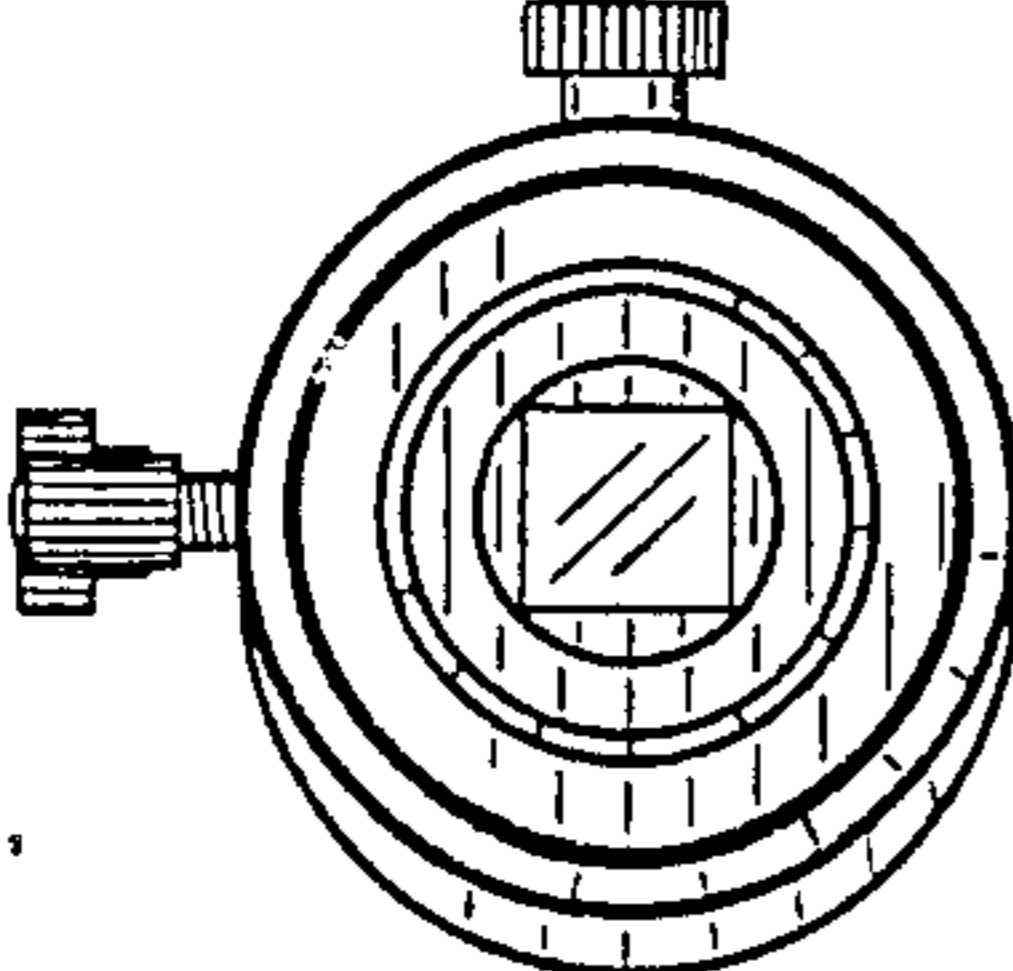


FIG. 5

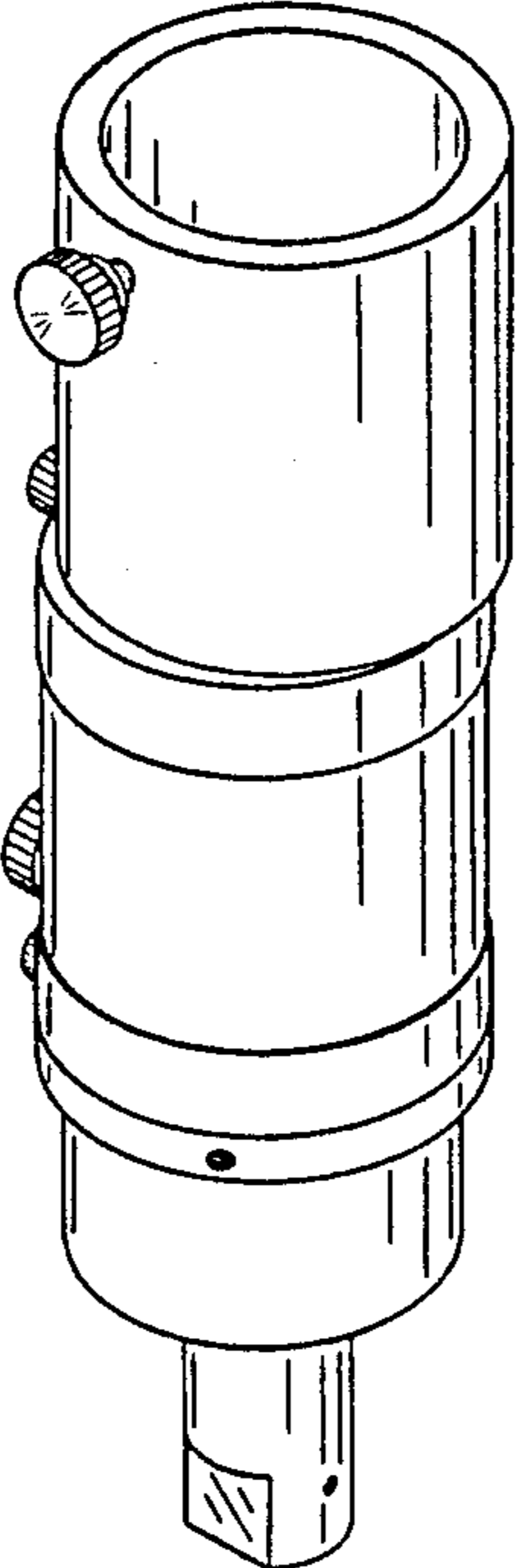


FIG. 6