

[54] WEB DRYER OVEN FOR A TENTER OR THE LIKE

[76] Inventor: Robert J. Poterala, 140 Rocky Point, Greenville, S.C. 29615

[**] Term: 14 Years

[21] Appl. No.: 176,435

[22] Filed: Apr. 1, 1988

[52] U.S. Cl. D15/66

[58] Field of Search D15/66; 26/92; 34/155

[56] References Cited

U.S. PATENT DOCUMENTS

3,521,378	7/1970	Fleissner	26/92
3,605,280	2/1969	Fleissner	26/92
4,011,663	3/1977	Moyer	26/92
4,089,123	5/1978	Ericsson et al.	34/155

Primary Examiner—B. J. Bullock

Assistant Examiner—Sandra Morris
Attorney, Agent, or Firm—Cort Flint

[57] CLAIM

The ornamental design for a web dryer oven for a tenter or the like, as shown and described.

DESCRIPTION

FIG. 1 is a perspective view of a web dryer oven for a tenter of the like, showing my new design;

FIG. 2 is a rear elevational view thereof, the broken lines showing an oven stand and blower housings are for illustrative purposes only and form no part of the claimed design;

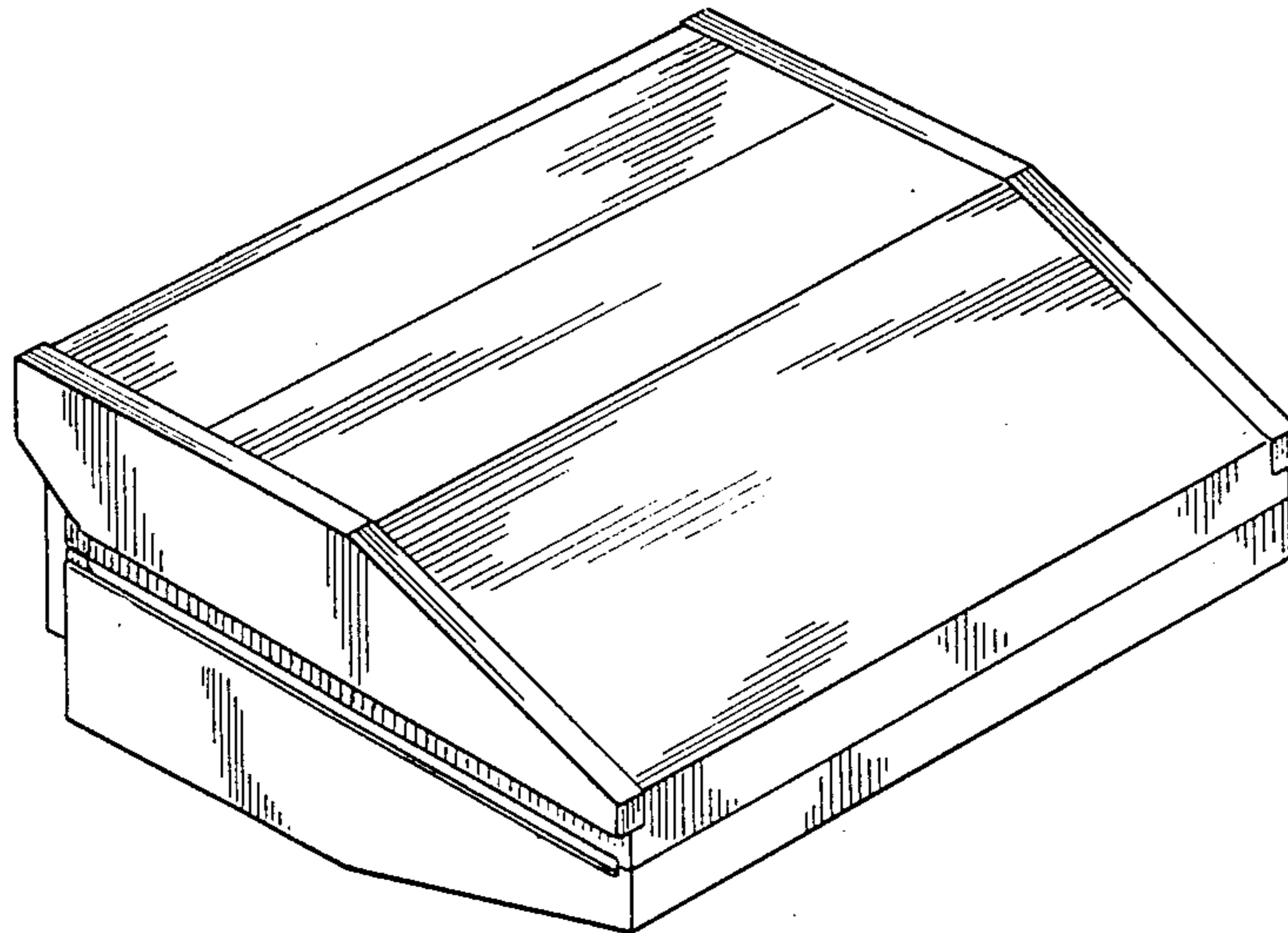
FIG. 3 is a right side elevational view thereof;

FIG. 4 is a left side elevational view thereof;

FIG. 5 is a top plan view thereof;

FIG. 6 is a perspective view thereof, the dryer oven shown in the open position; and

FIG. 7 is a front elevational view thereof, the dryer oven shown in the open position.



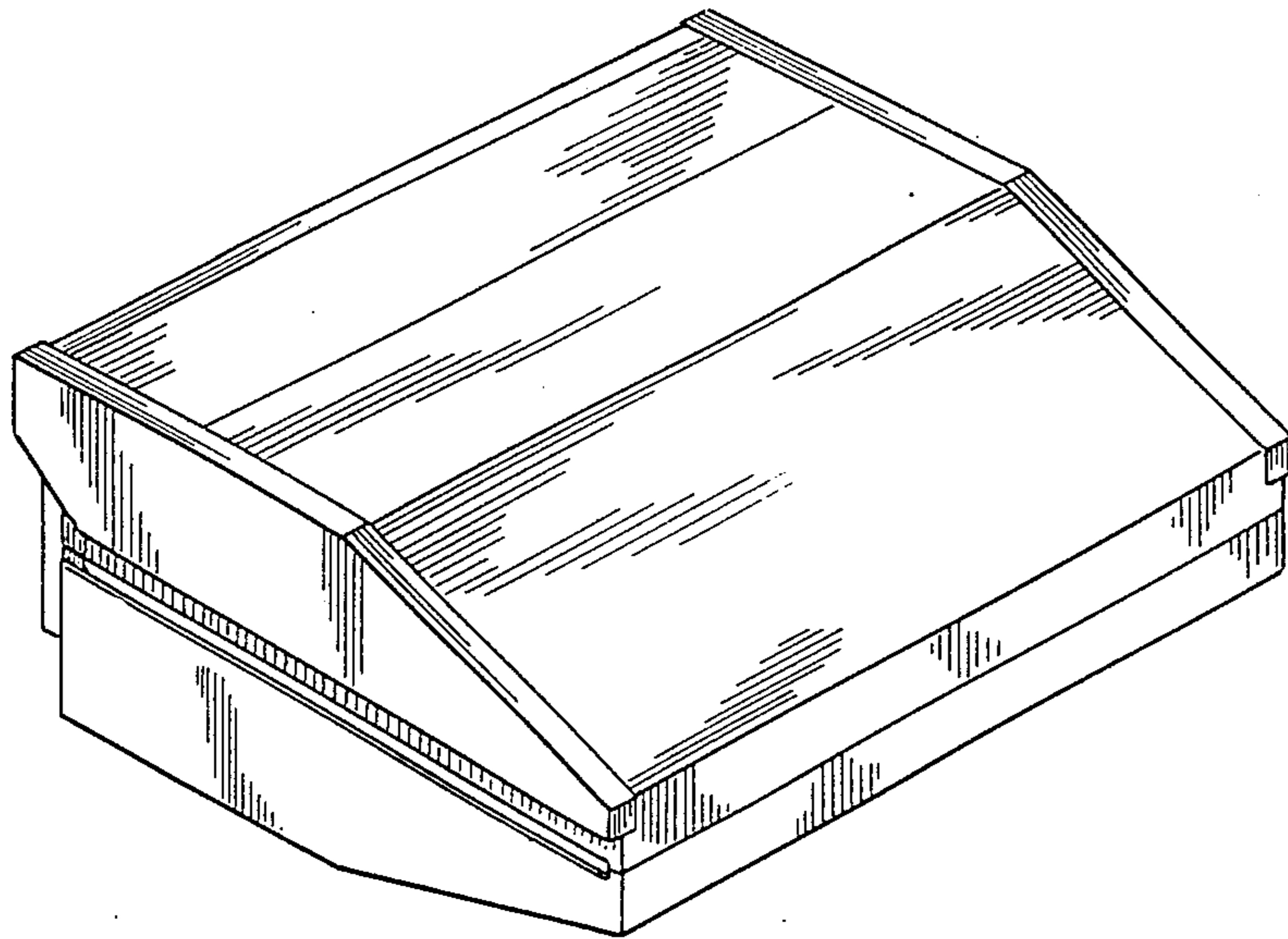


Fig. 1.

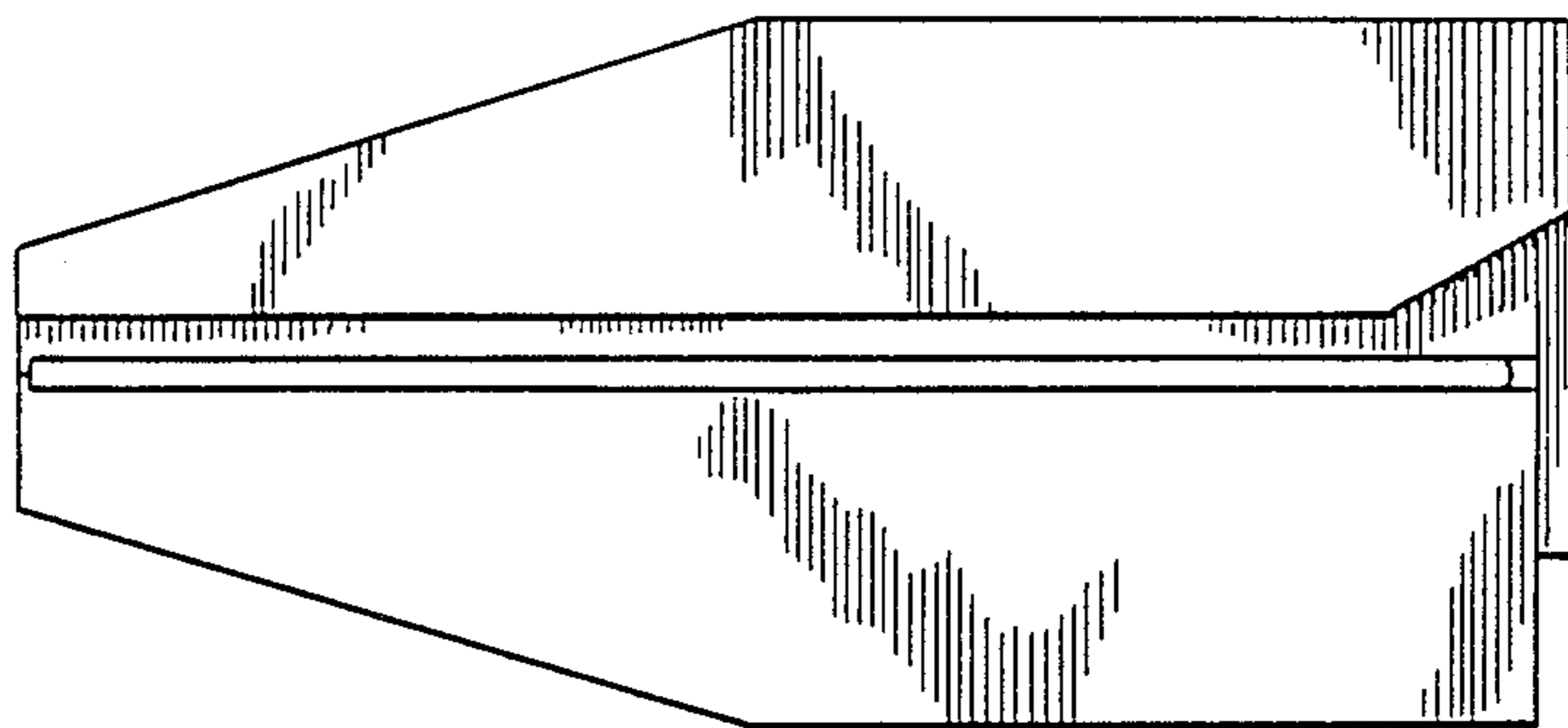


Fig. 2.

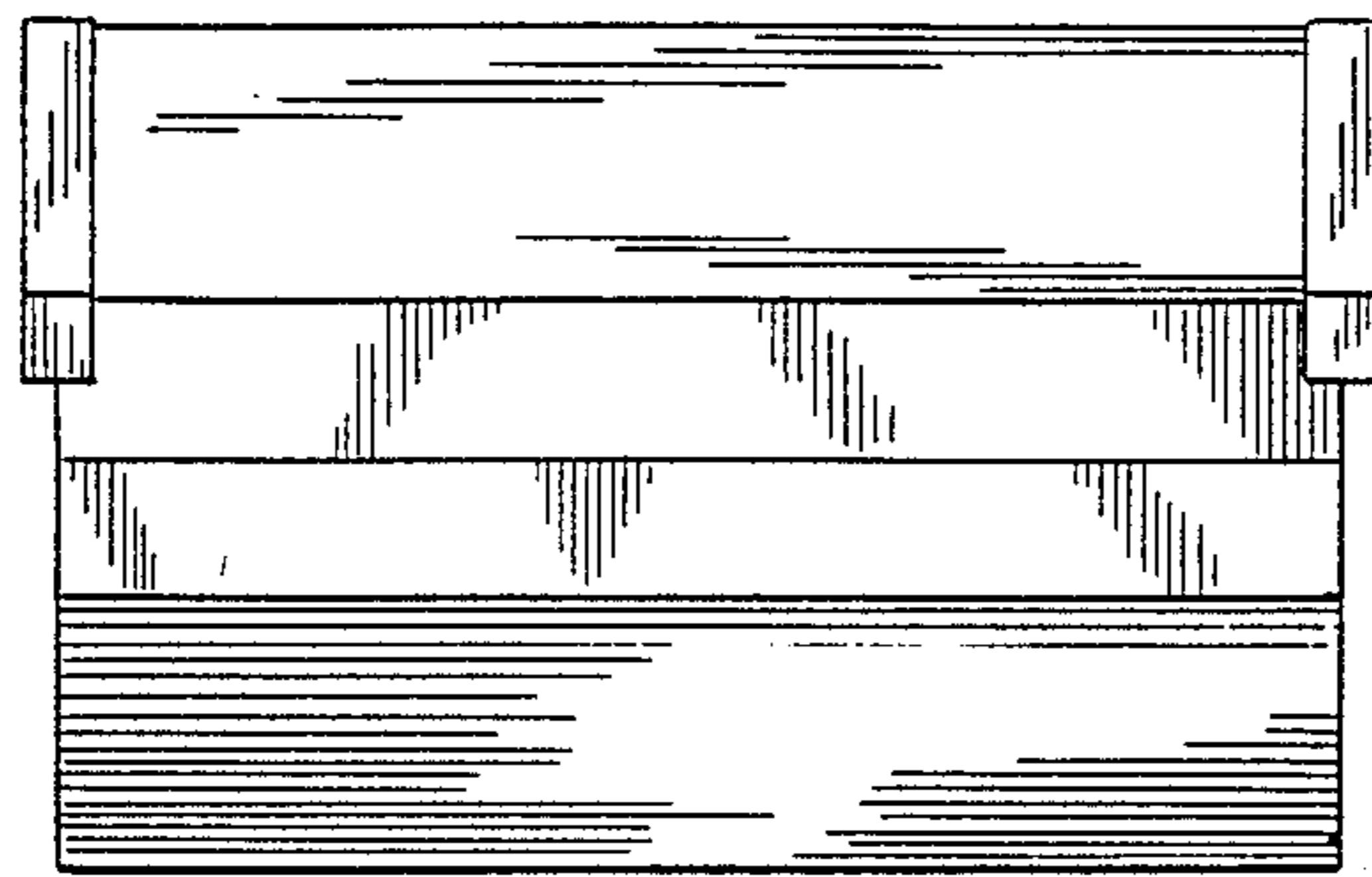


Fig. 3.

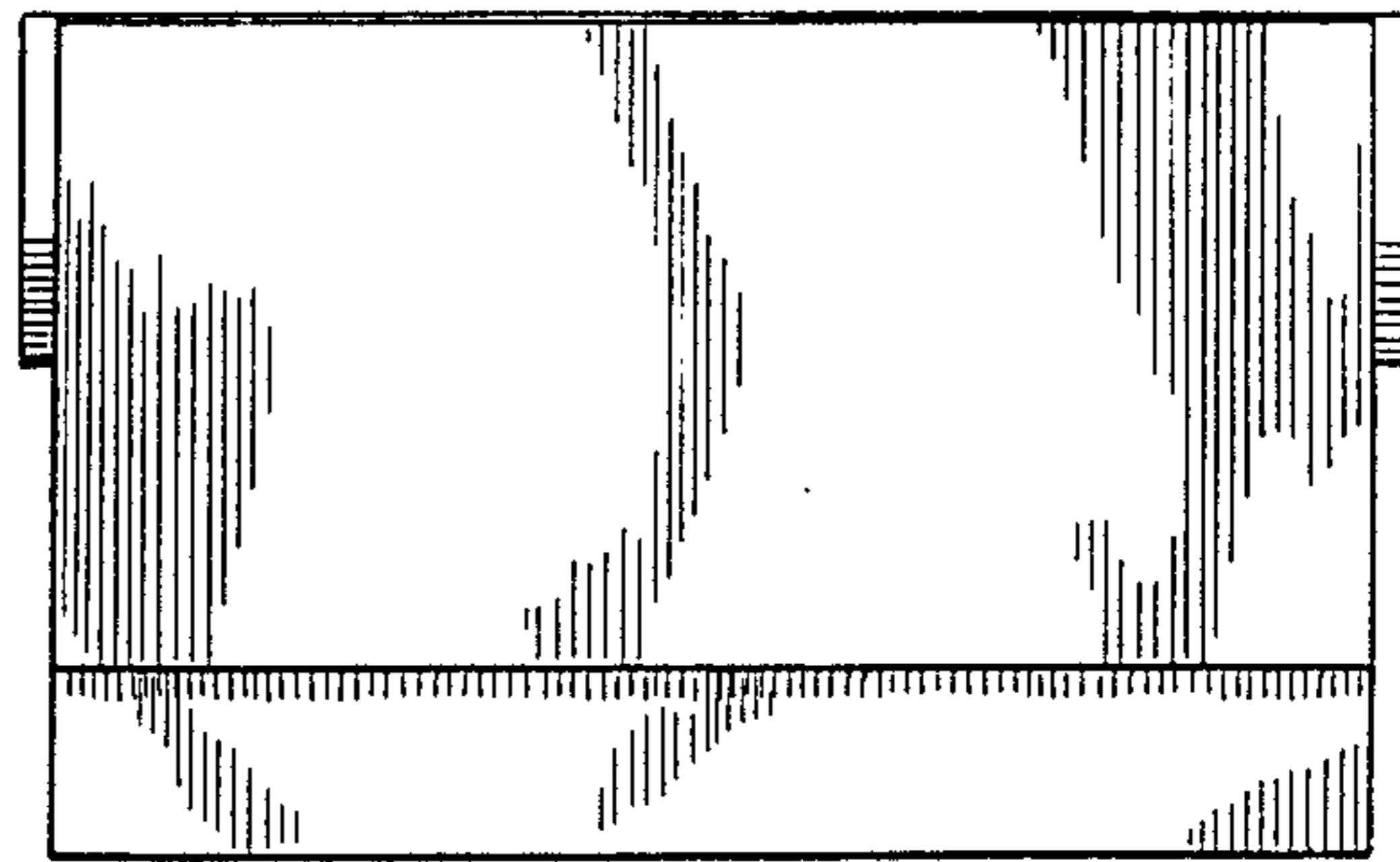


Fig. 4.

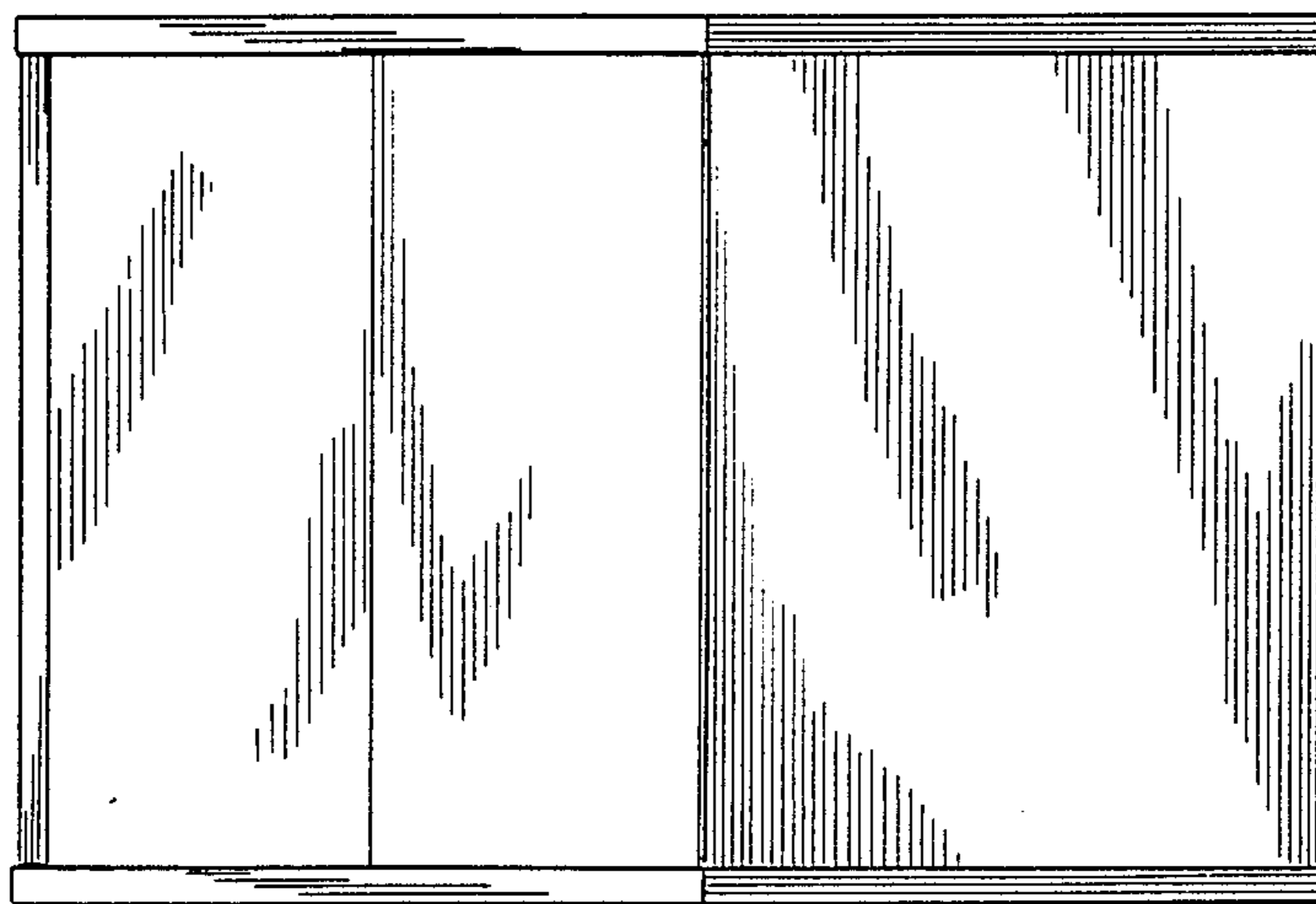


Fig. 5.

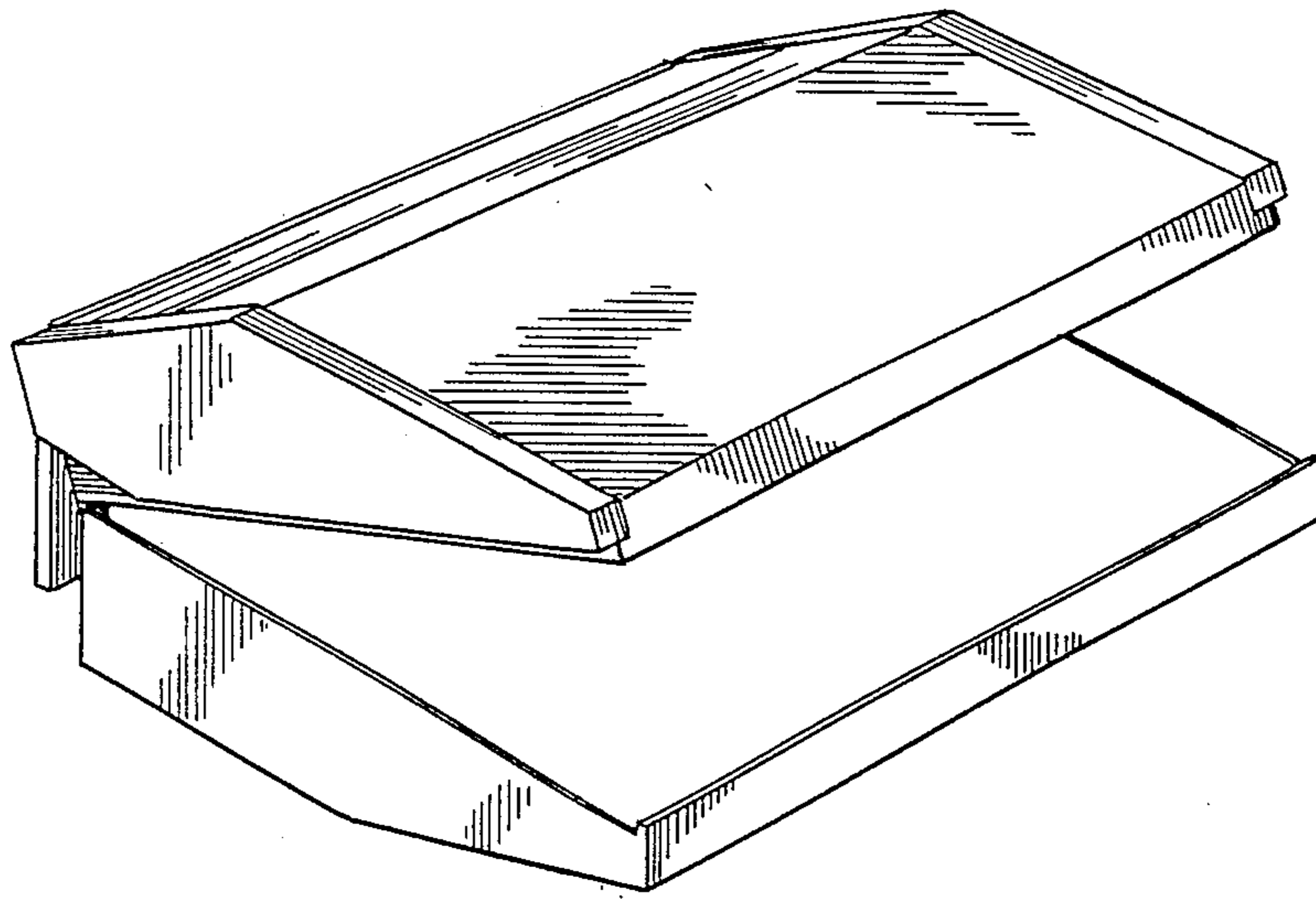


Fig. 6.

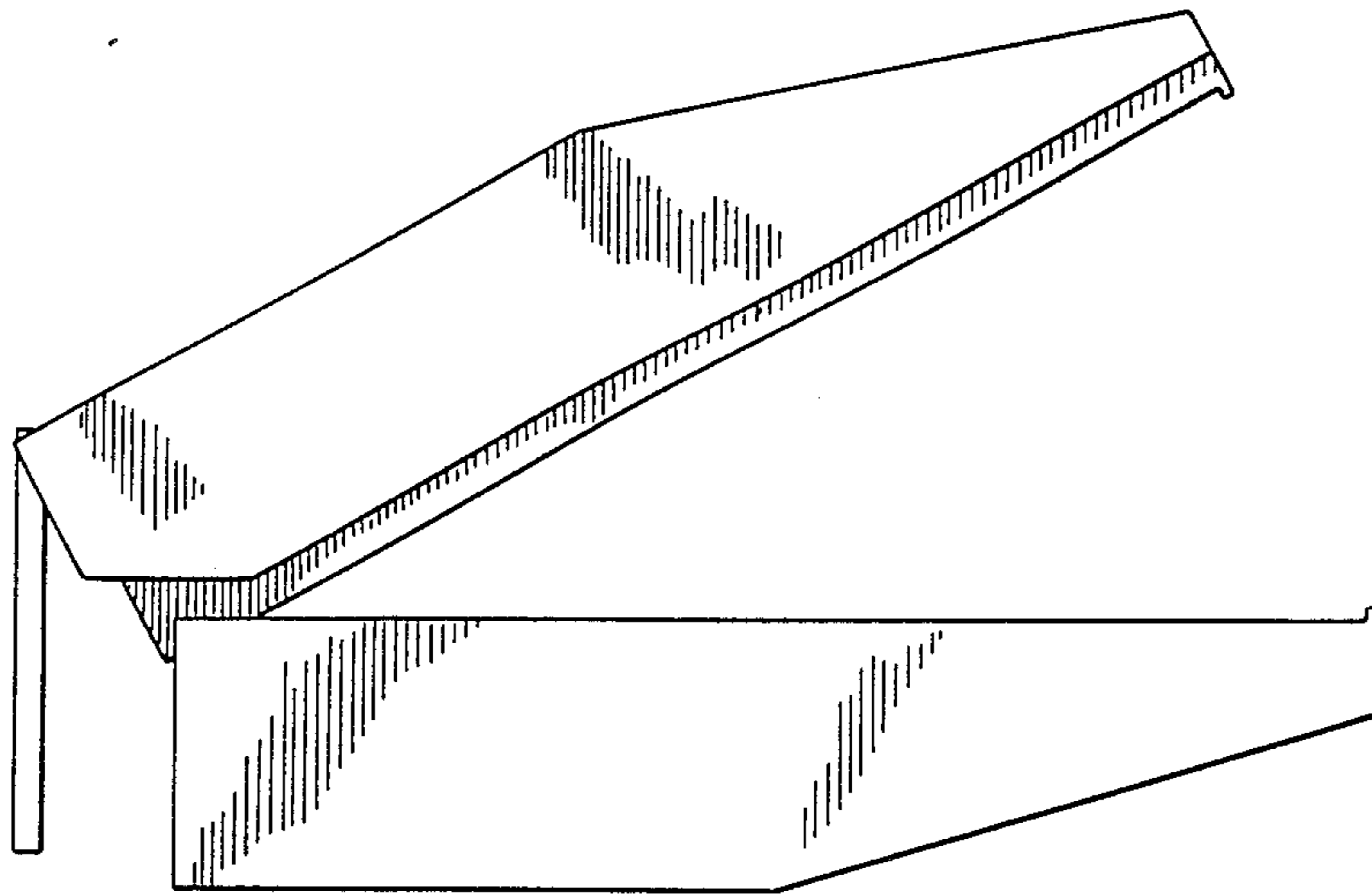


Fig. 7.