

[54] **OFF-ROAD UTILITY VEHICLE FOR LAWN CARE**

[75] **Inventors: Maurice A. Popelier, East Moline, Ill.; James W. Hall, Bettendorf, Iowa; William E. Crookes, Waldwick, N.J.; Kevin F. Thompson, Brooklyn, N.Y.**

[73] **Assignee: Deere & Company, Moline, Ill.**

[**] **Term: 14 Years**

[21] **Appl. No.: 266,622**

[22] **Filed: Nov. 7, 1988**

[52] **U.S. Cl. D15/15**

[58] **Field of Search D15/10, 14, 15; 56/202, 56/320.1, 320.2; 180/89.1, 89.2, 900; 296/64, 186, 901; D12/82, 86, 88**

[56] **References Cited**

U.S. PATENT DOCUMENTS

D. 218,963	10/1970	Black	D12/88
D. 282,729	2/1986	Lunn	D12/88
D. 284,968	8/1986	Watanabe et al.	D15/15
3,694,025	9/1972	Buehrig	296/64
4,685,529	8/1987	Tamura et al.	180/89.12

Primary Examiner—B. J. Bullock
Assistant Examiner—Sandra Morris

[57] **CLAIM**

The ornamental design for an off-road utility vehicle for lawn care, as shown and described.

DESCRIPTION

FIG. 1 is a right side elevational view of an off-road utility vehicle for lawn care, showing our new design; FIG. 2 is a right front perspective view thereof; FIG. 3 is a left front perspective view thereof; FIG. 4 is a right rear perspective view thereof; FIG. 5 is a front perspective view thereof; FIG. 6 is a rear perspective view thereof.

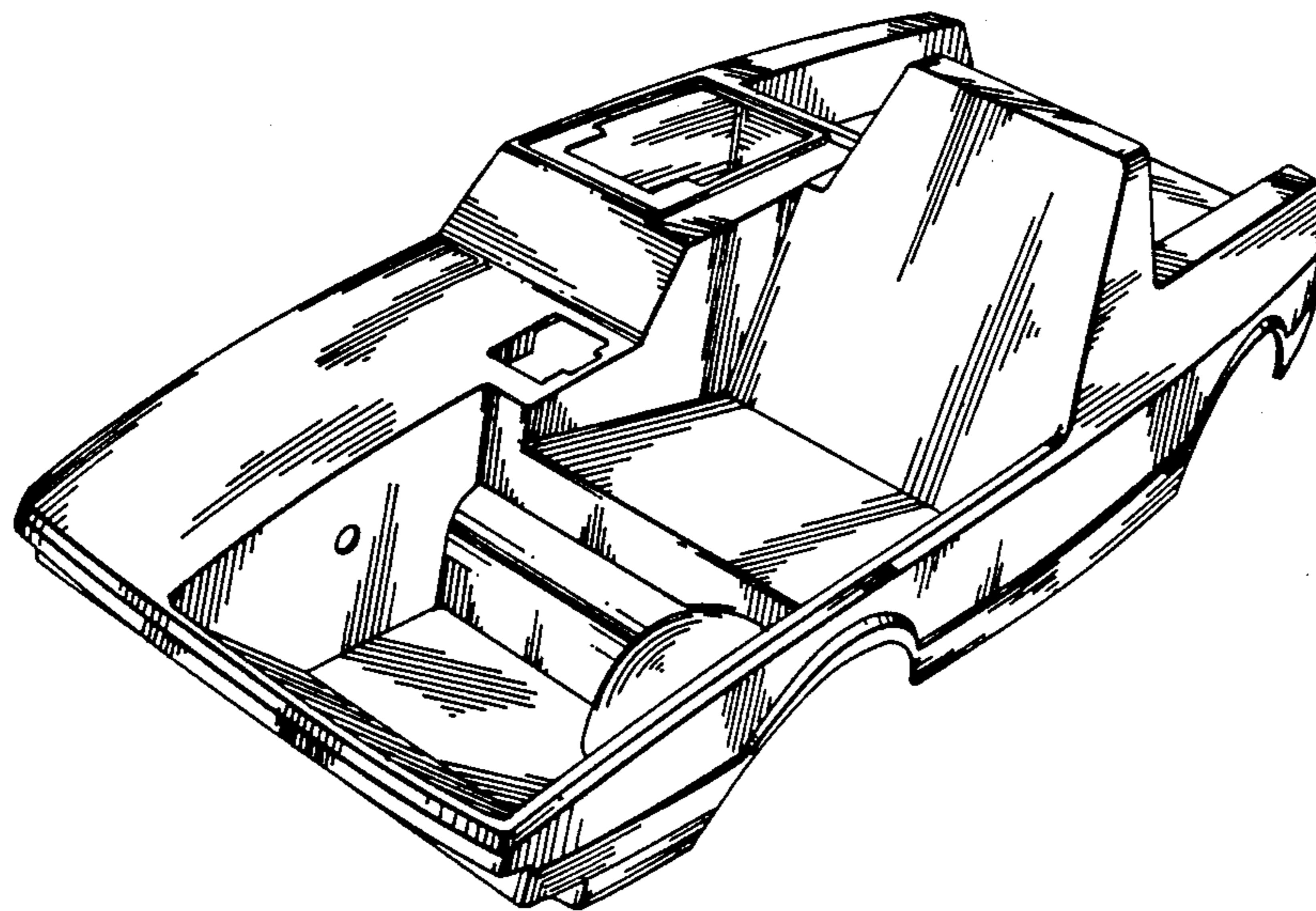


Fig. 1

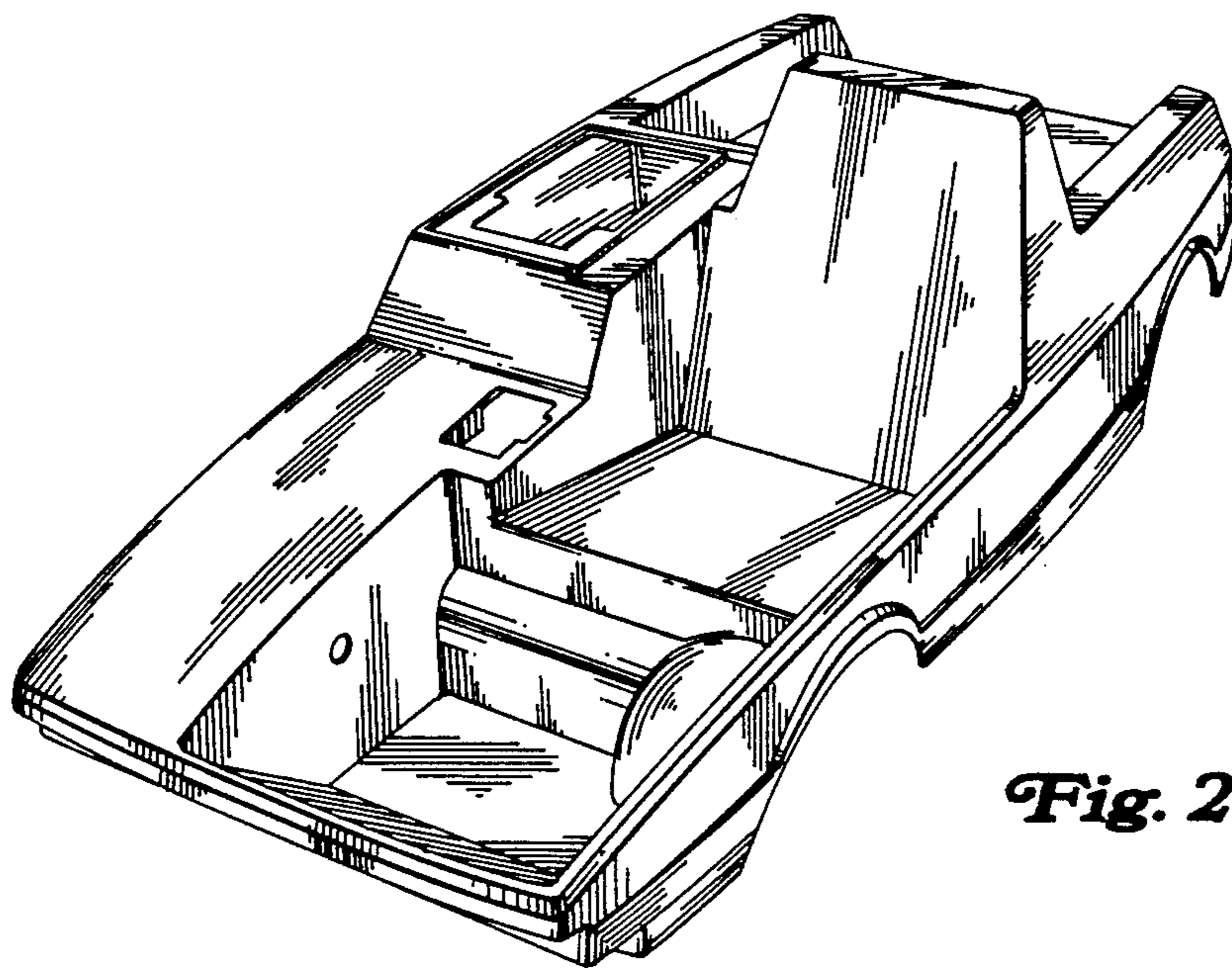
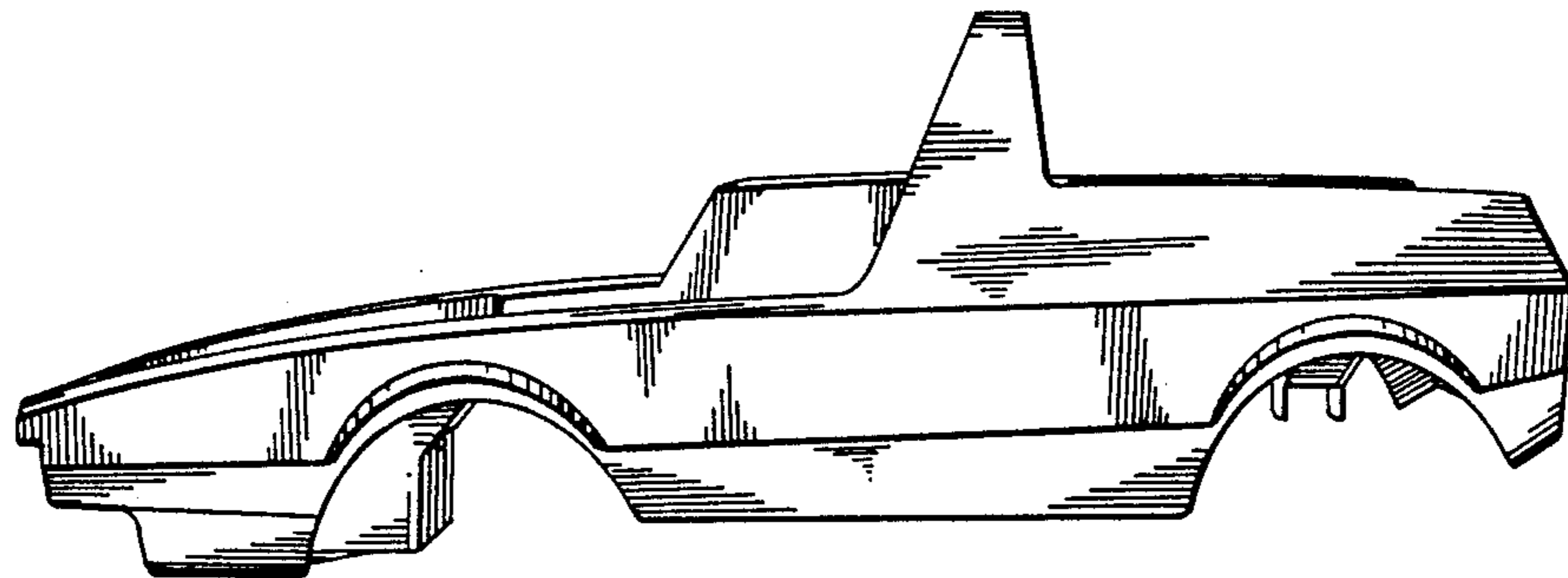


Fig. 2

Fig. 3

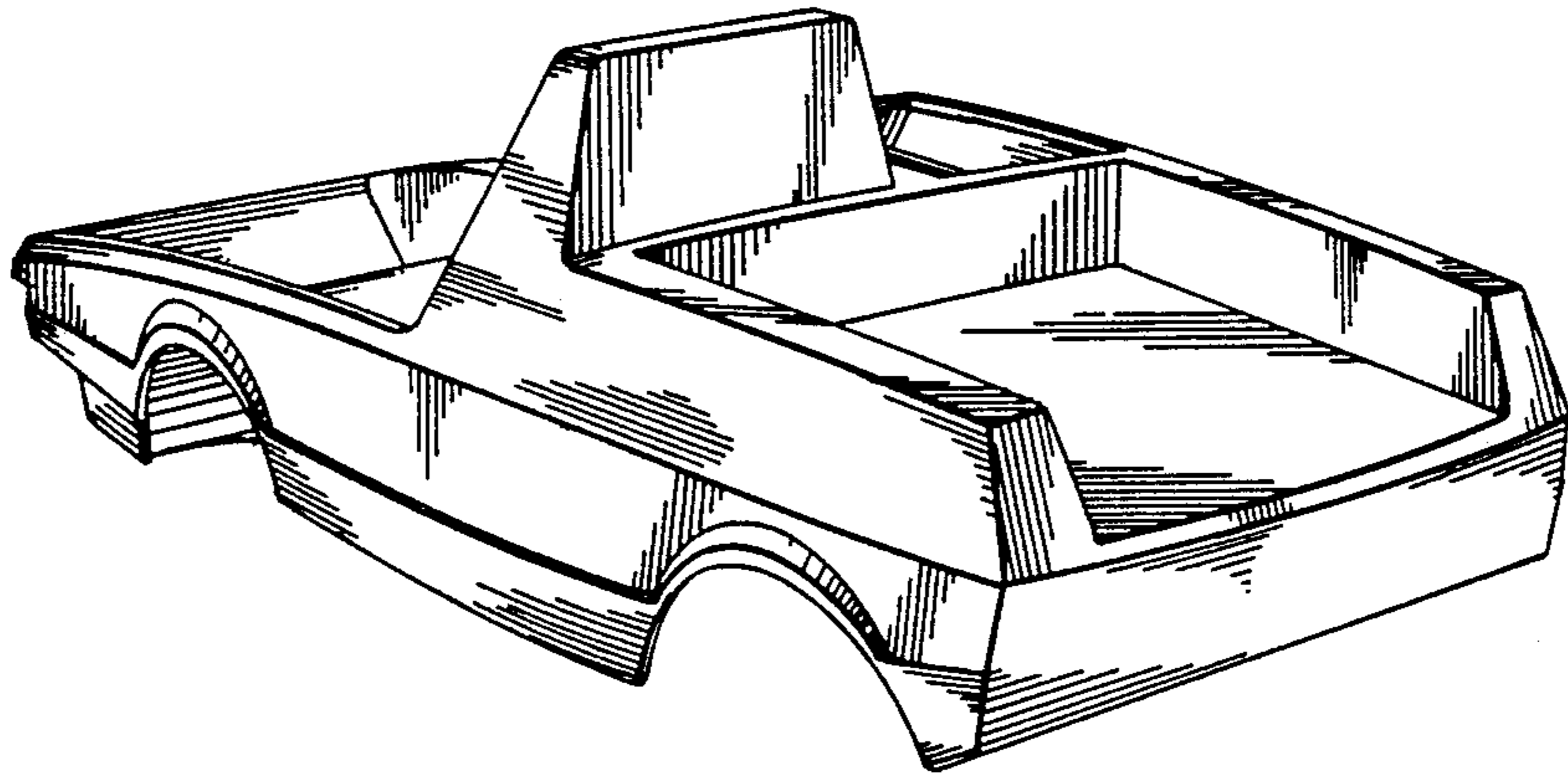
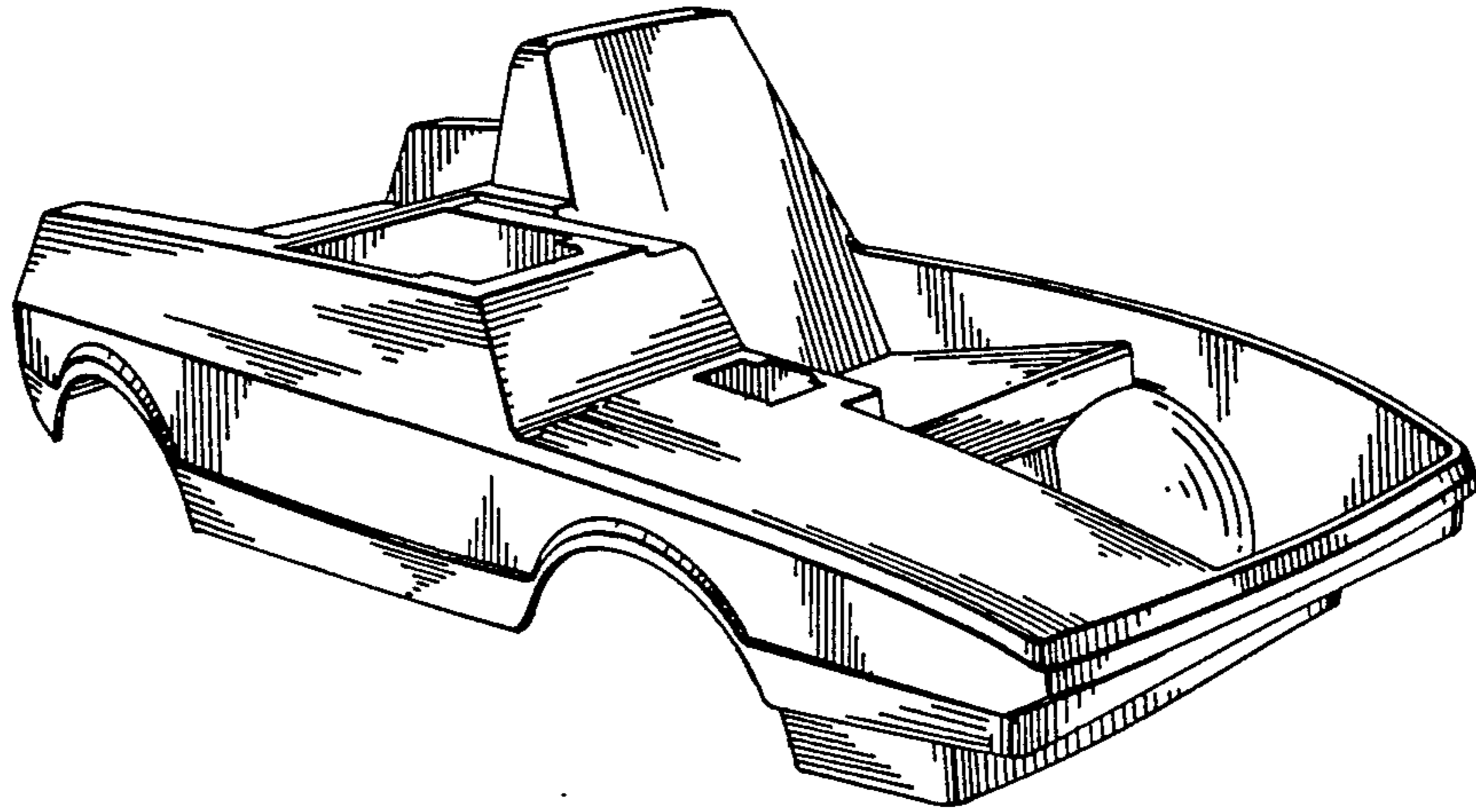


Fig. 4

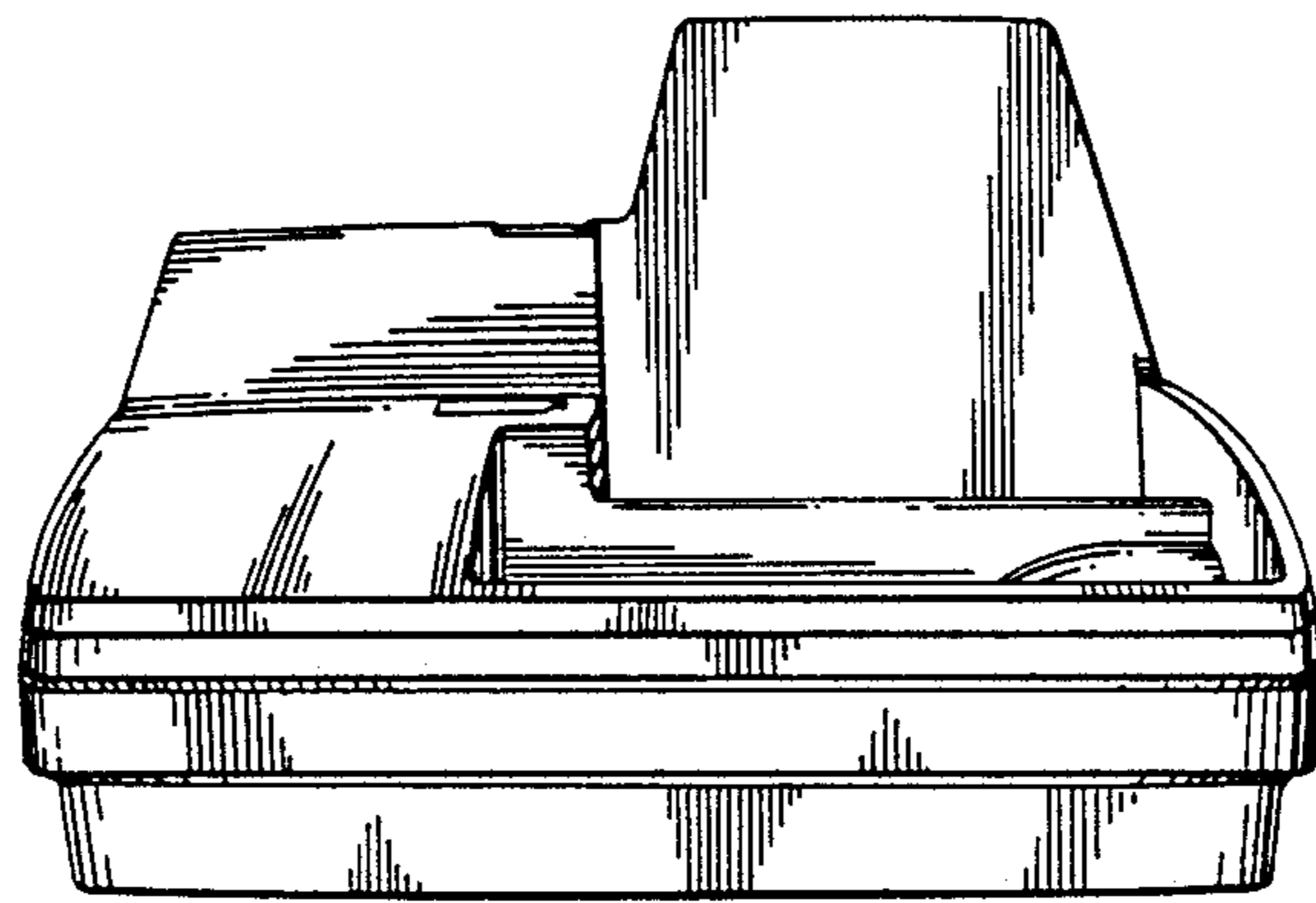


Fig. 5

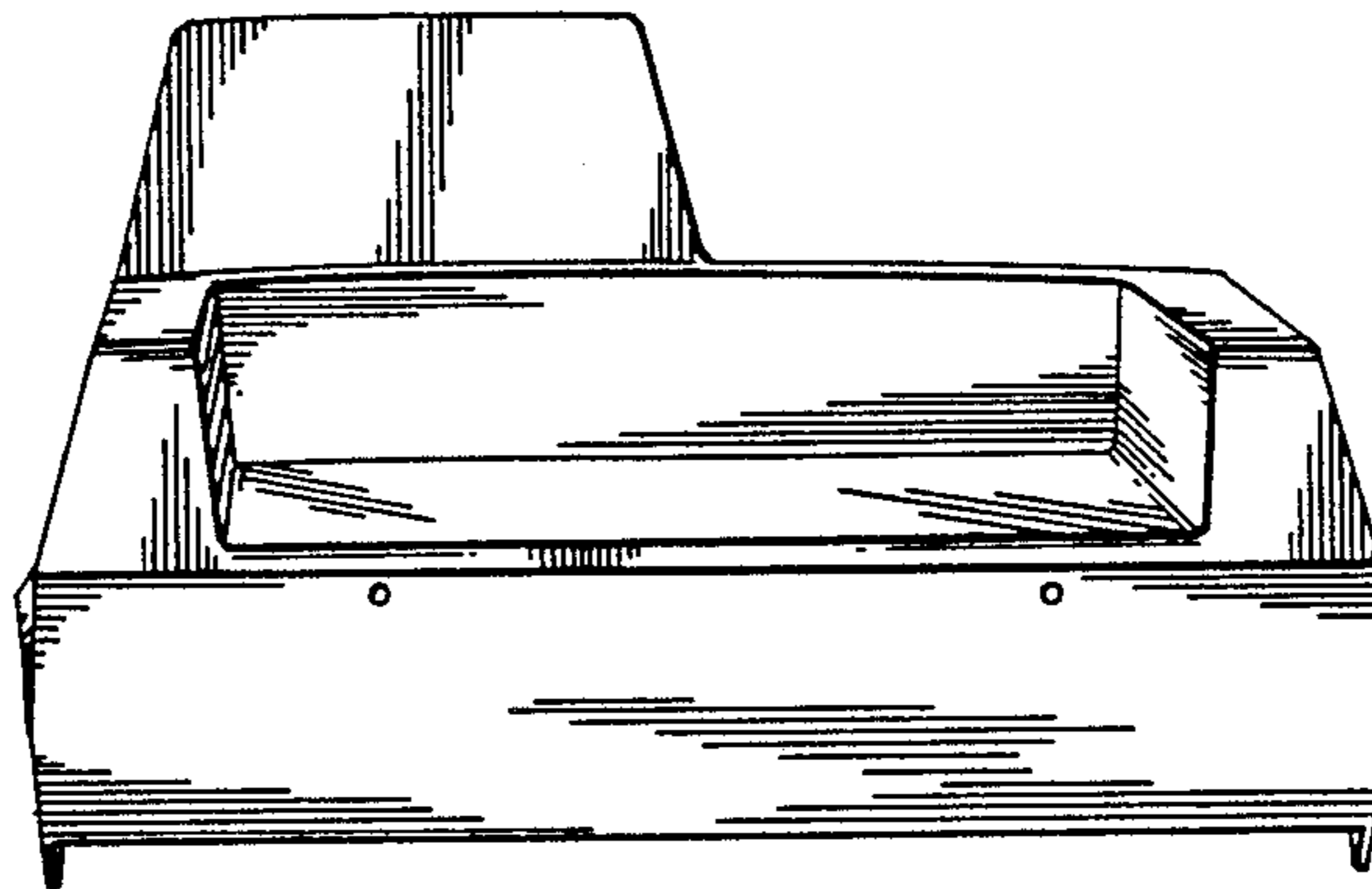


Fig. 6