

[54] **RADIO CABINET FRONT**

[75] **Inventors: Thomas G. Fuller; Michael H. Stock; Howard F. Weckel, III, all of Elkhart, Ind.**

[73] **Assignee: Mito Corporation, Elkhart, Ind.**

[**] **Term: 14 Years**

[21] **Appl. No.: 368,219**

[22] **Filed: Jun. 19, 1989**

Related U.S. Application Data

- [62] Division of Ser. No. 882,849, Jul. 7, 1986, Pat. No. Des. 304,194.
- [52] **U.S. Cl.** **D14/257**
- [58] **Field of Search** **D14/157, 160, 161, 162, D14/164, 188, 197, 257, 258, 299; 455/344, 345, 346, 347, 350, 351**

[56] **References Cited**

U.S. PATENT DOCUMENTS

D. 230,604	3/1974	Seager	D14/257
D. 231,467	4/1974	Robson	D14/257
D. 269,434	6/1983	Nagele	D14/258
D. 277,100	1/1985	Matsuda et al.	D14/257
D. 284,186	6/1986	Hautbout	D14/258 X
D. 284,283	6/1986	Van de Ven	D14/157
D. 304,443	11/1989	Grinyer et al.	D14/157 X

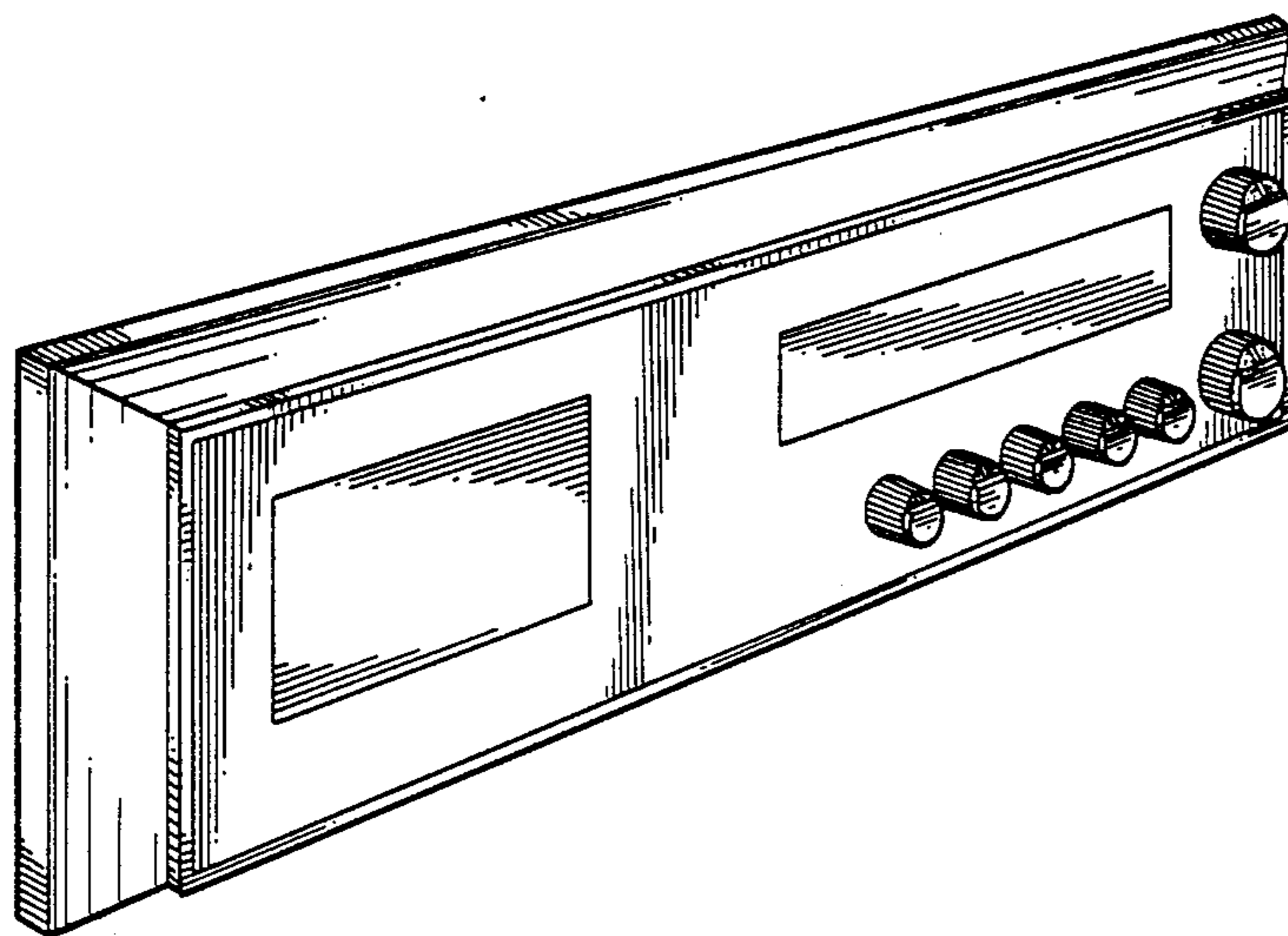
Primary Examiner—Theodore M. Shooman
Attorney, Agent, or Firm—James D. Hall

[57] **CLAIM**

The ornamental design for a radio cabinet front, as shown.

DESCRIPTION

FIG. 1 is a top, front and left side perspective view of a radio cabinet front showing our new design;
 FIG. 2 is a front elevational view thereof;
 FIG. 3 is a top plan view thereof;
 FIG. 4 is a bottom plan view thereof;
 FIG. 5 is a right side elevational view thereof; and
 FIG. 6 is a left side elevational view thereof.



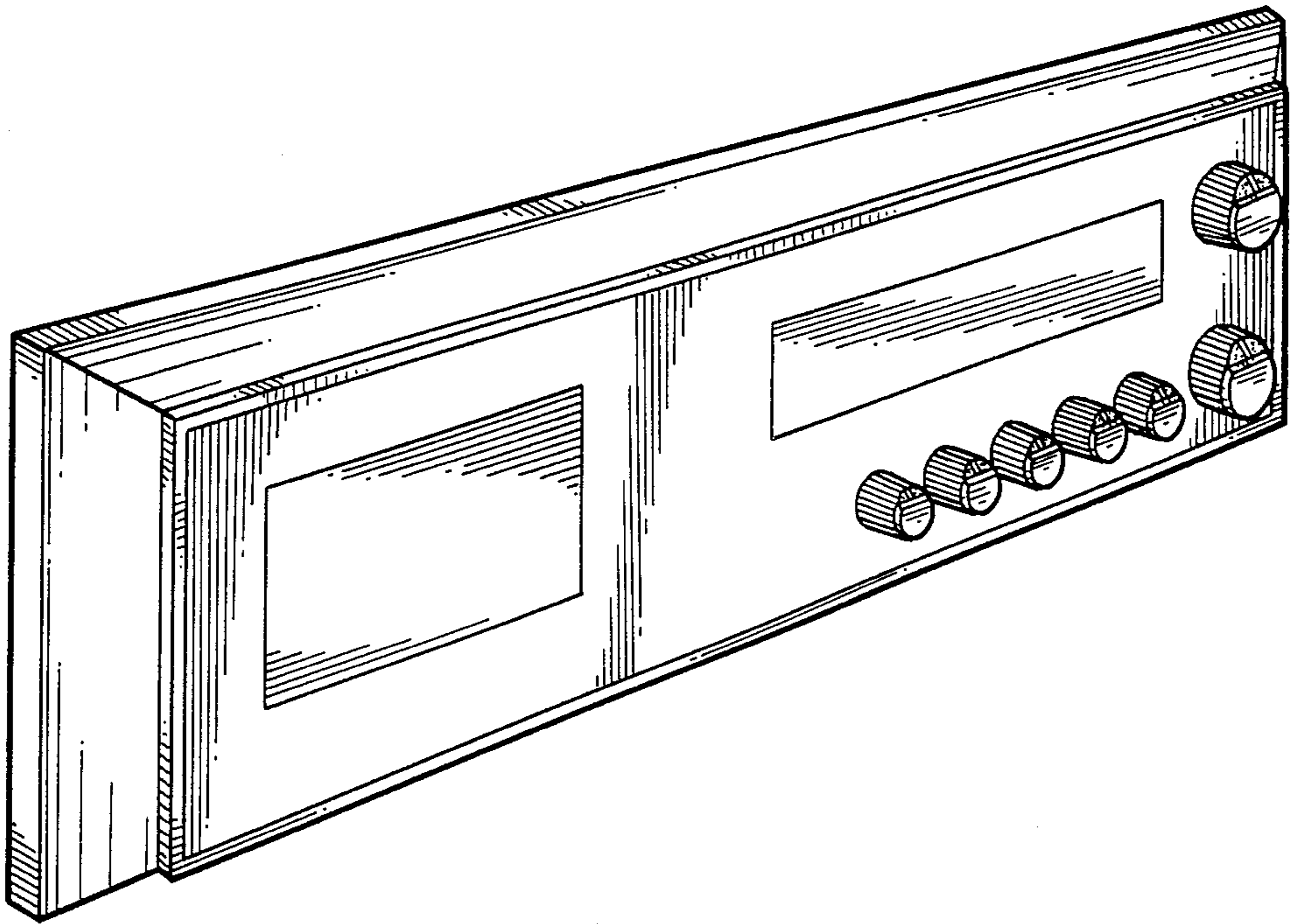


FIG. 1

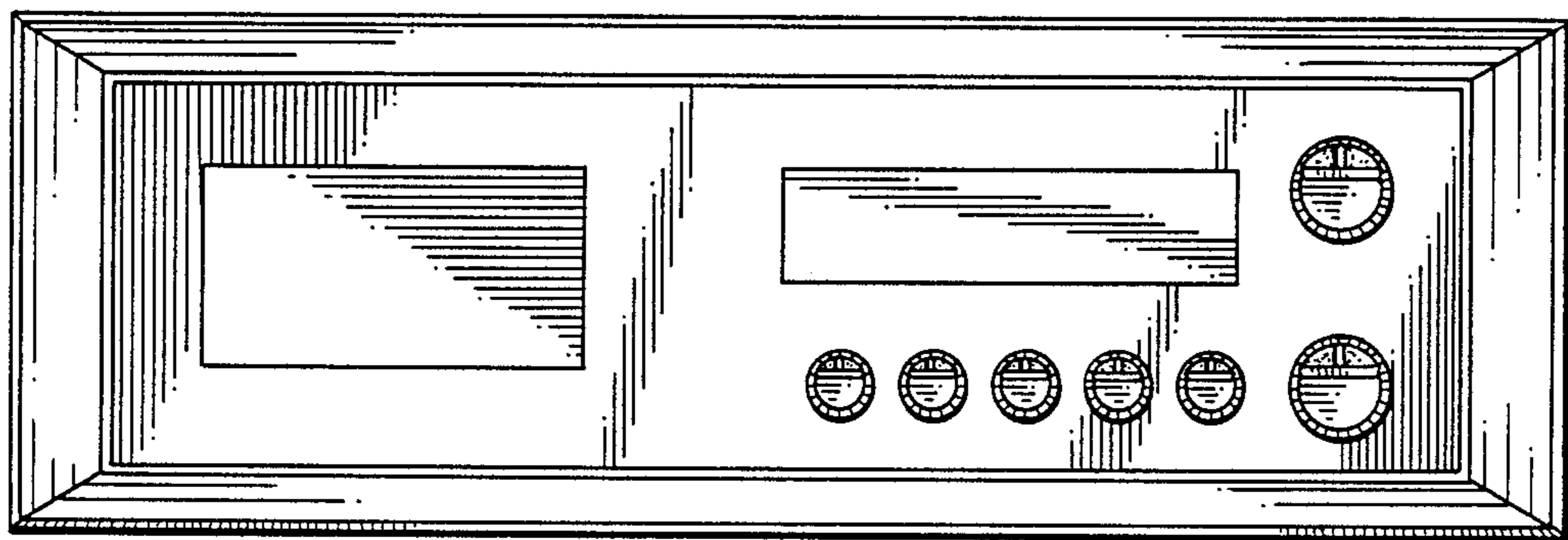


FIG. 2

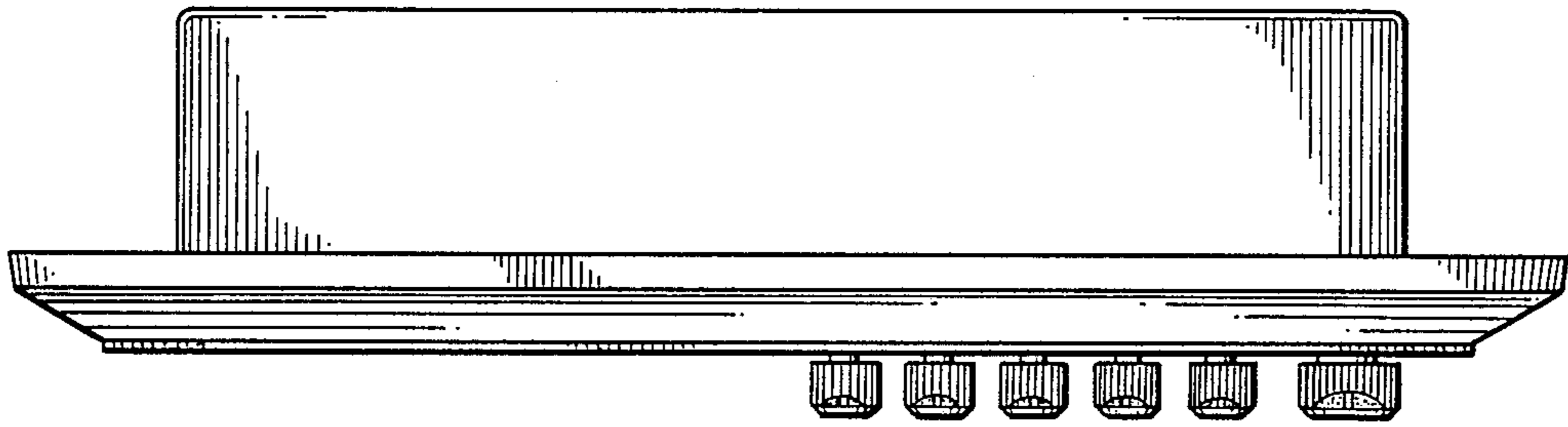


FIG. 3

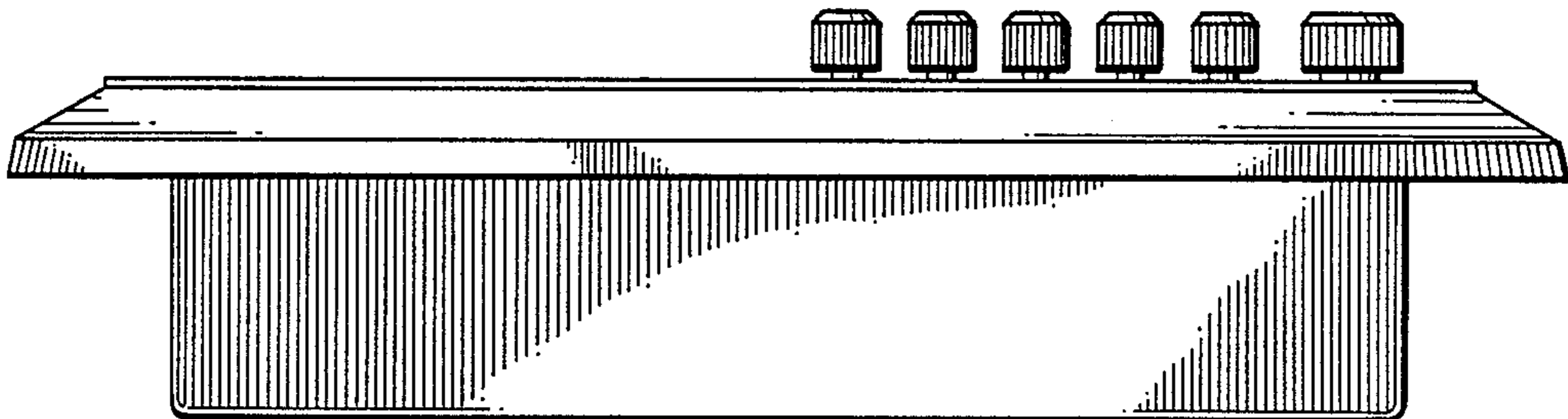


FIG. 4

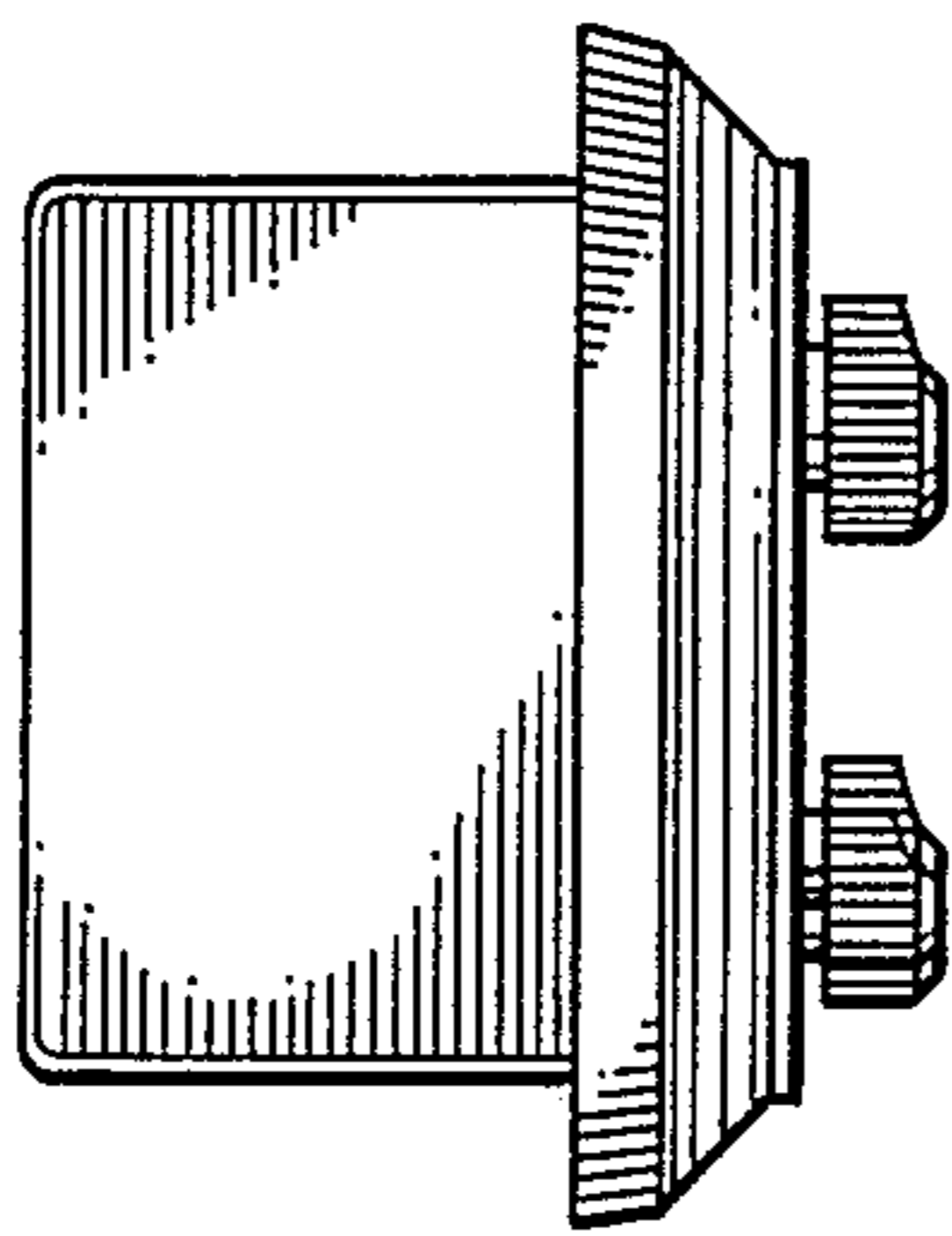


FIG. 5

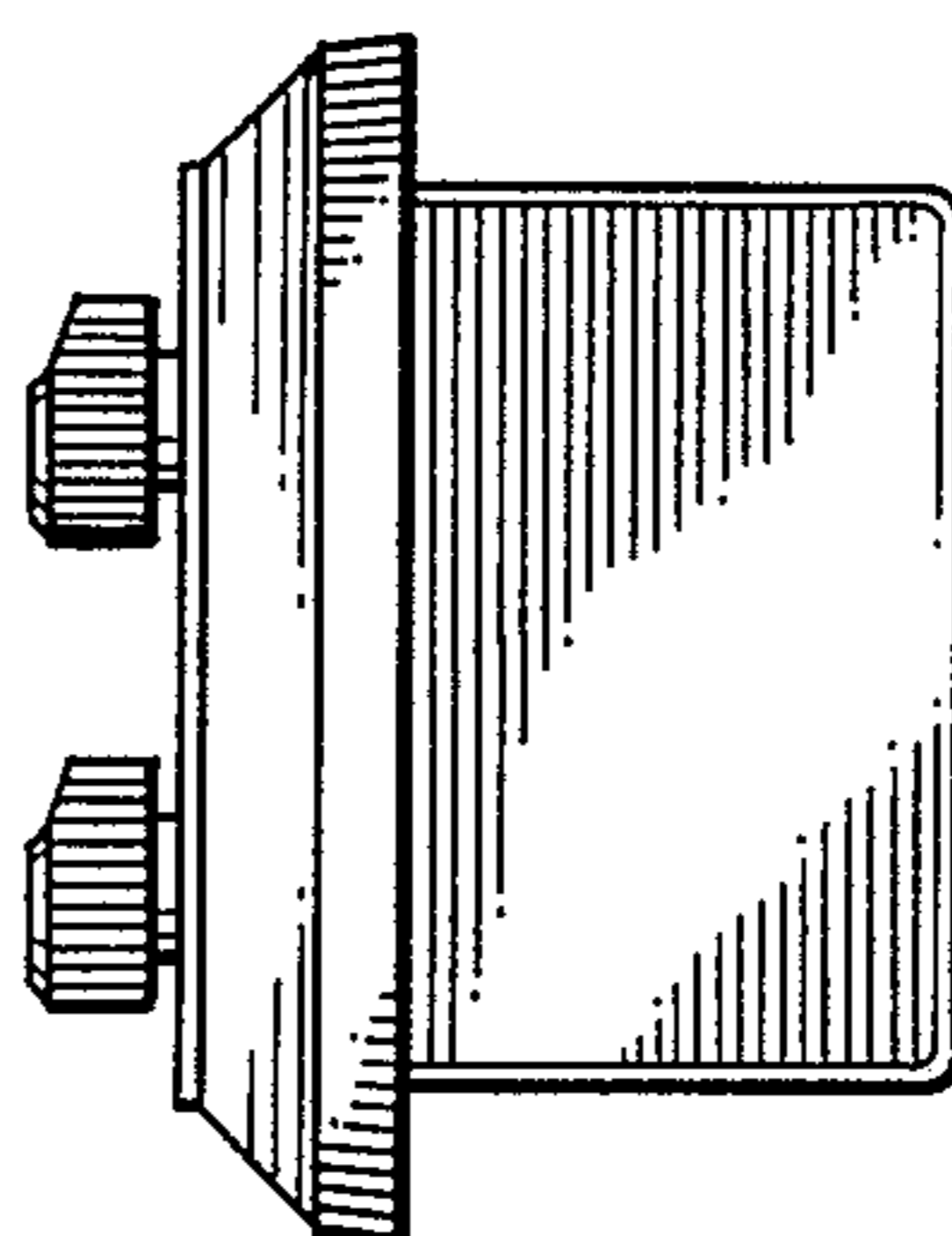


FIG. 6