

[54] CARRYING CASE FOR A PORTABLE COMMUNICATIONS DEVICE

[75] Inventors: Lynne D. Klaczak, Boynton Beach; Marilyn S. Burger, Pompano Beach, both of Fla.

[73] Assignee: Motorola, Inc., Schaumburg, Ill.

[**] Term: 14 Years

[21] Appl. No.: 226,151

[22] Filed: Jul. 29, 1988

[52] U.S. Cl. D14/250; D14/138; D3/47

[58] Field of Search D14/138, 251, 142, 140, D14/144, 250, 252, 240; 379/428, 455, 454, 61, 440; D3/35, 77, 78, 79, 51, 76, 99, 52

[56] References Cited

U.S. PATENT DOCUMENTS

- D. 135,726 5/1943 Morner D3/77
- D. 142,873 11/1945 Knorr D14/138
- D. 257,471 10/1980 Siegel D3/52
- D. 263,702 4/1982 Fukushima et al. D14/138
- D. 263,705 4/1982 Fukushima et al. D14/138
- D. 263,706 4/1982 Fukushima et al. D14/138
- D. 264,078 4/1982 Fukushima et al. D14/138
- D. 276,761 12/1984 Lang D3/33 X
- D. 276,953 1/1985 Weinreb D3/79 X

- D. 277,179 1/1985 Specht D14/138
- D. 288,146 2/1987 Cathcart et al. D3/79
- D. 292,975 1/1987 Kobayashi D14/138
- D. 295,170 4/1988 Wolstone D14/138
- D. 297,639 9/1988 Watanabe D14/138
- D. 298,129 10/1988 Watanabe D14/138
- D. 300,429 3/1989 Watanabe D14/138
- 858,739 7/1907 Medhurst 379/430
- 3,363,754 1/1968 Gantz D3/79

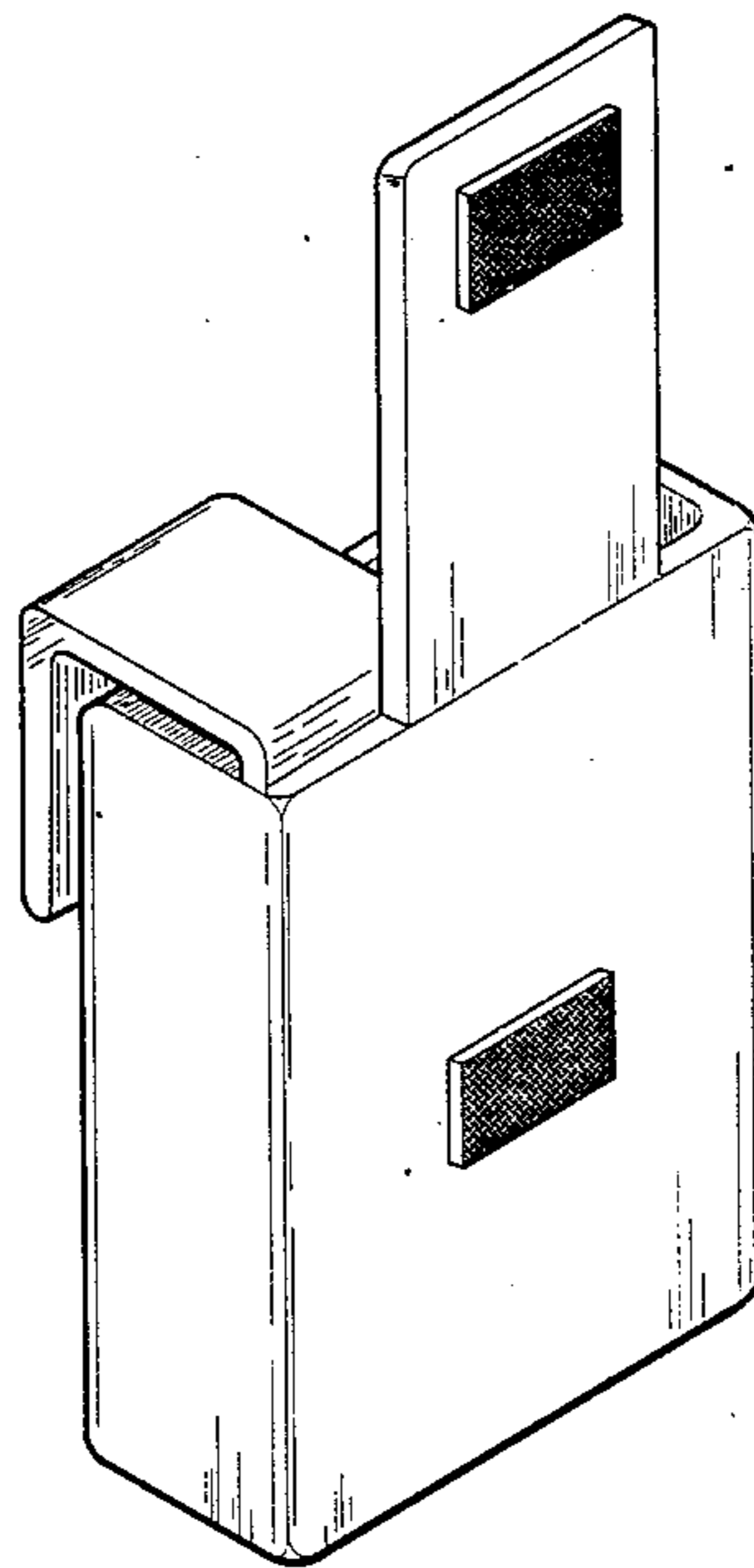
Primary Examiner—Horace B. Fay, Jr.
Attorney, Agent, or Firm—William E. Koch; Vincent B. Ingrassia

[57] CLAIM

The ornamental design for a carrying case for a portable communications device, as shown and described.

DESCRIPTION

FIG. 1 is a top plan view of a carrying case for a portable communications device showing our new design; FIG. 2 is a front elevational view thereof; FIG. 3 is a right side elevational view thereof; FIG. 4 is a rear elevational view thereof; FIG. 5 is a left side elevational view thereof; FIG. 6 is a bottom plan view thereof; FIG. 7 is a left side, top and front perspective view thereof with the flap element extending rearwardly; and FIG. 8 is a right side, top and rear perspective view with the flap element in upright position.



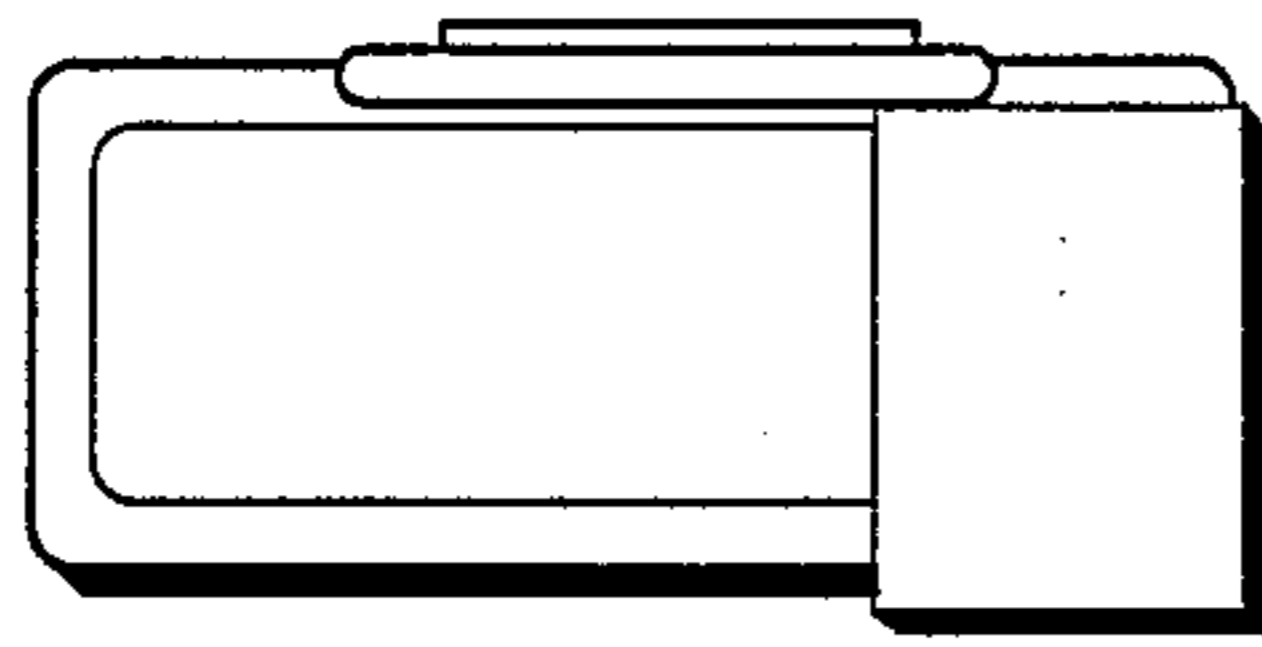


FIG. 1

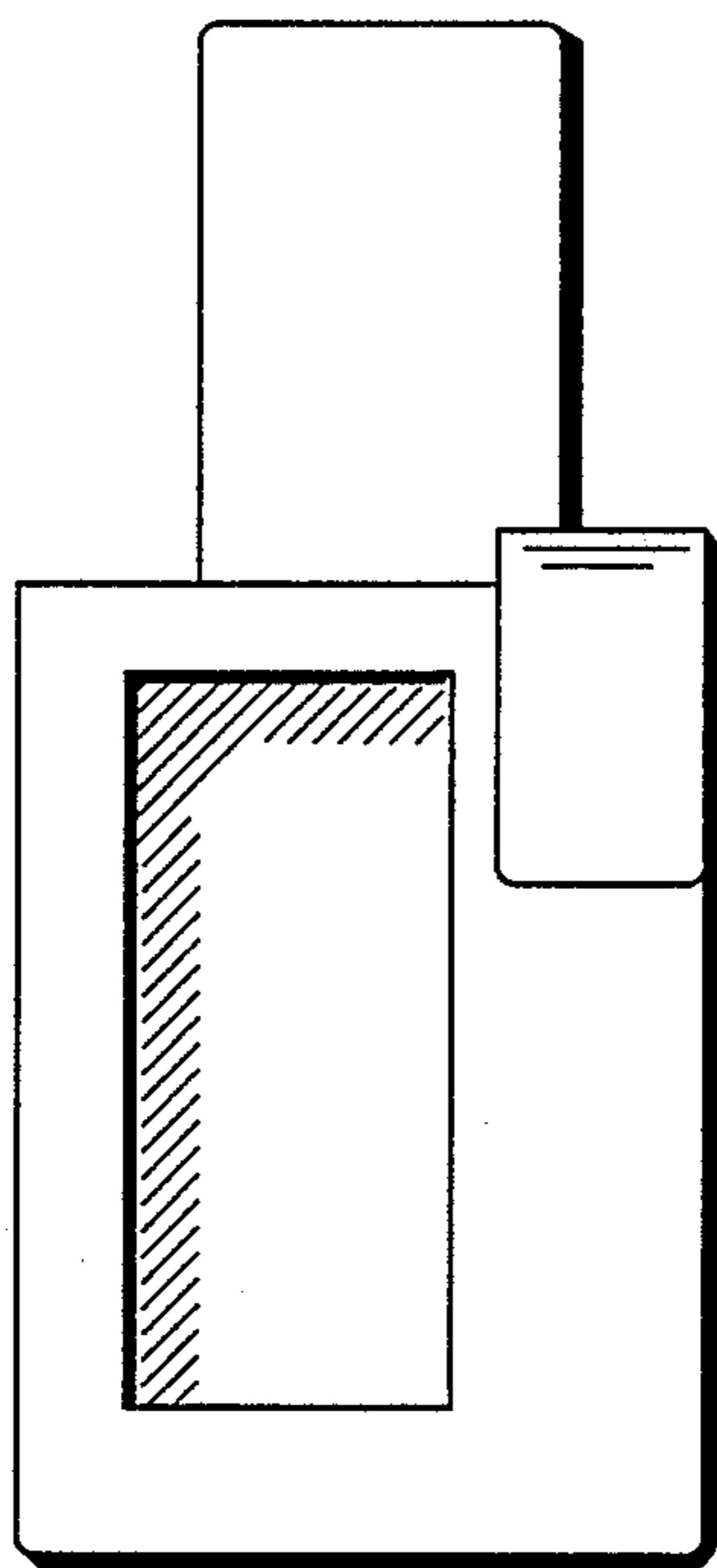


FIG. 2

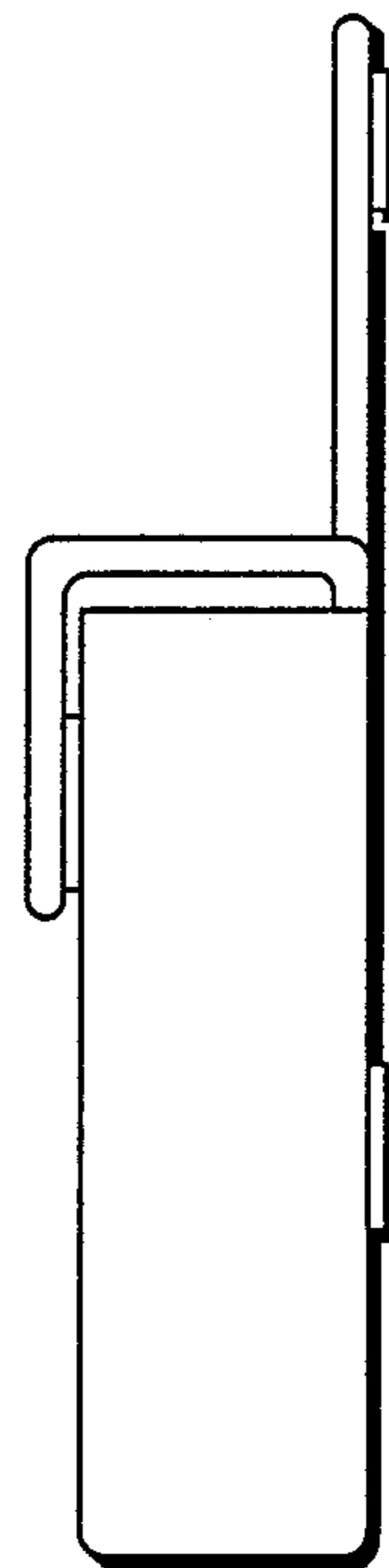


FIG. 3

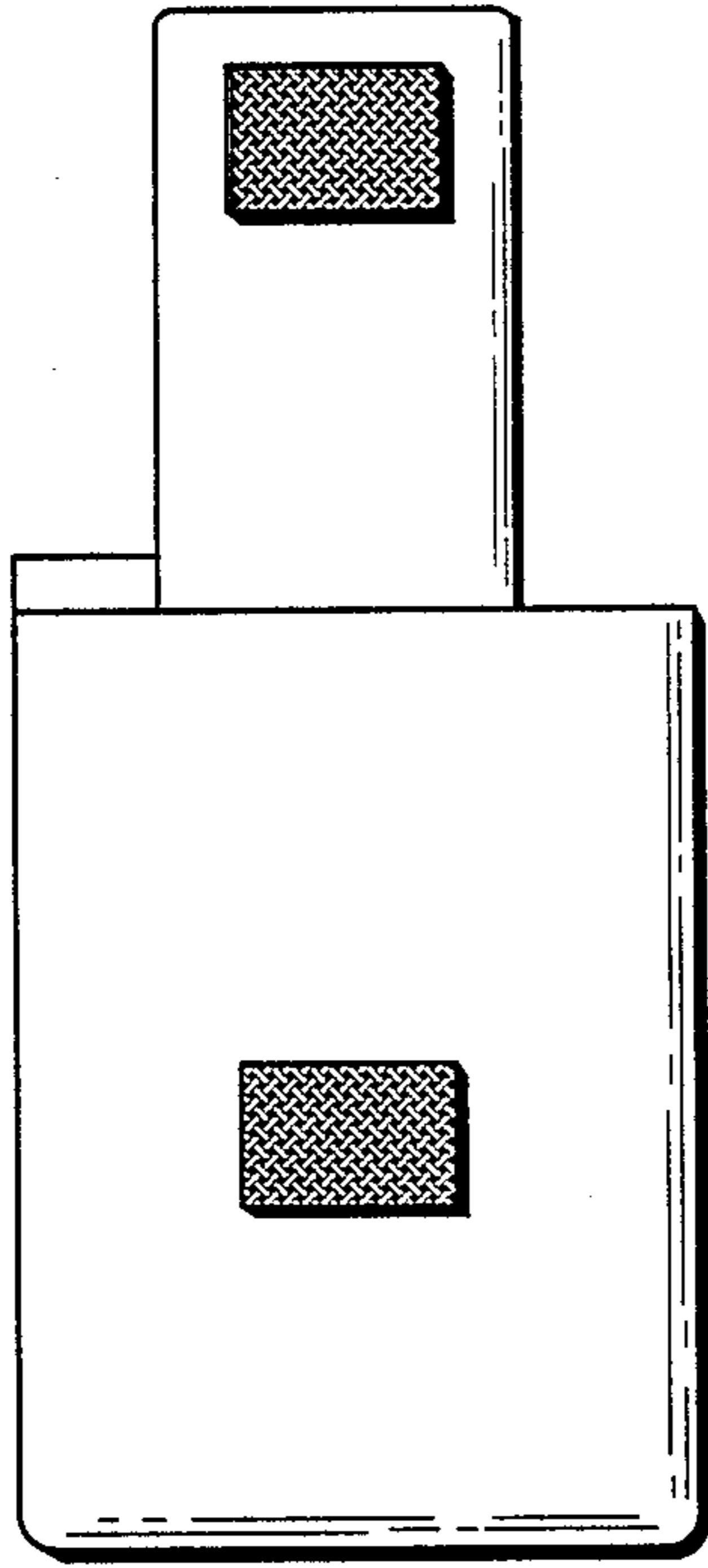


FIG. 4

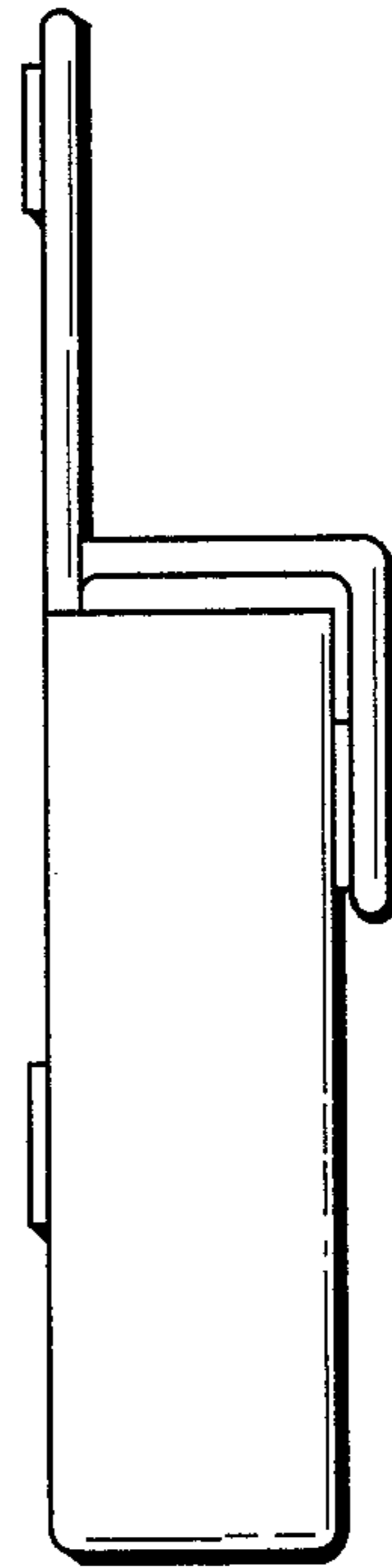


FIG. 5

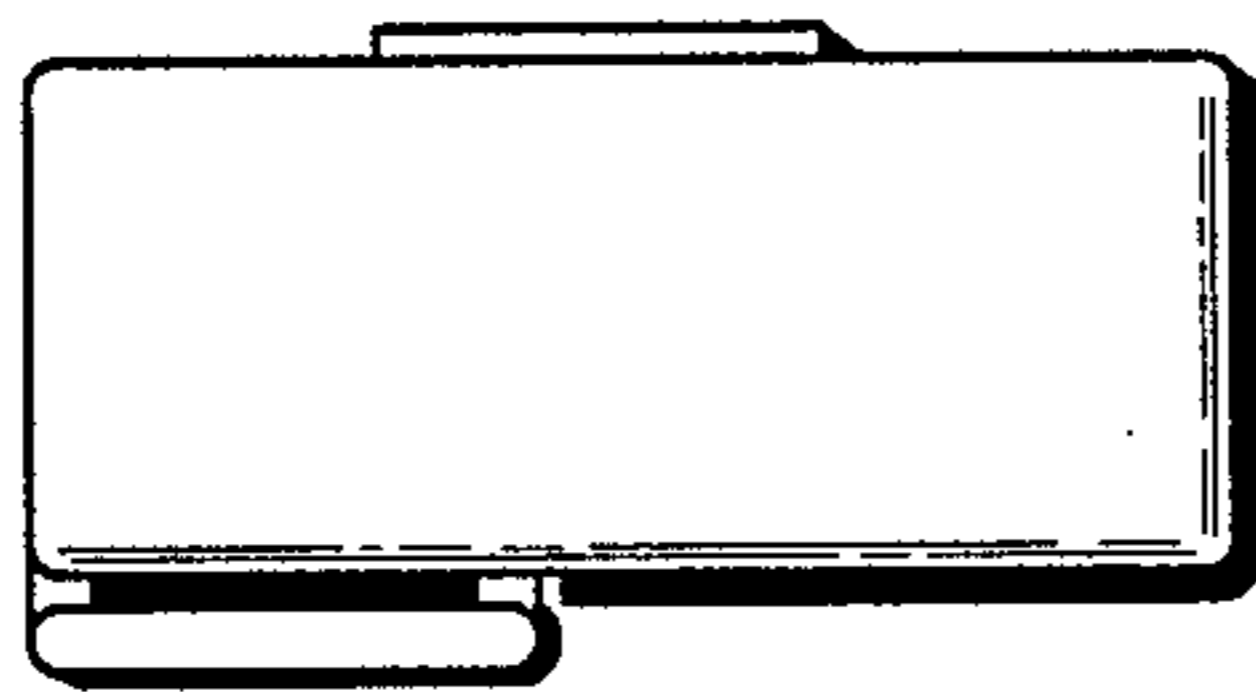


FIG. 6

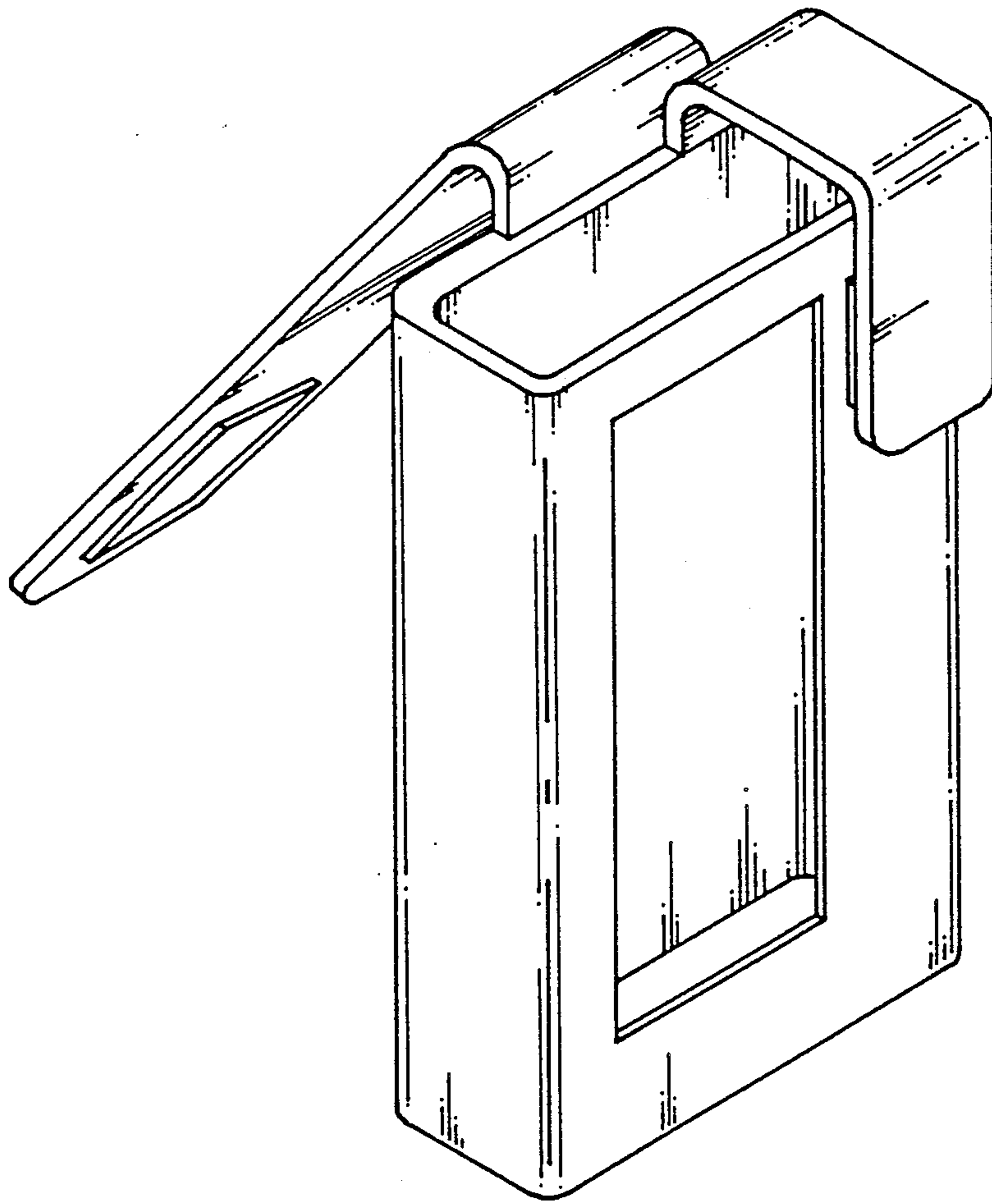


FIG. 7

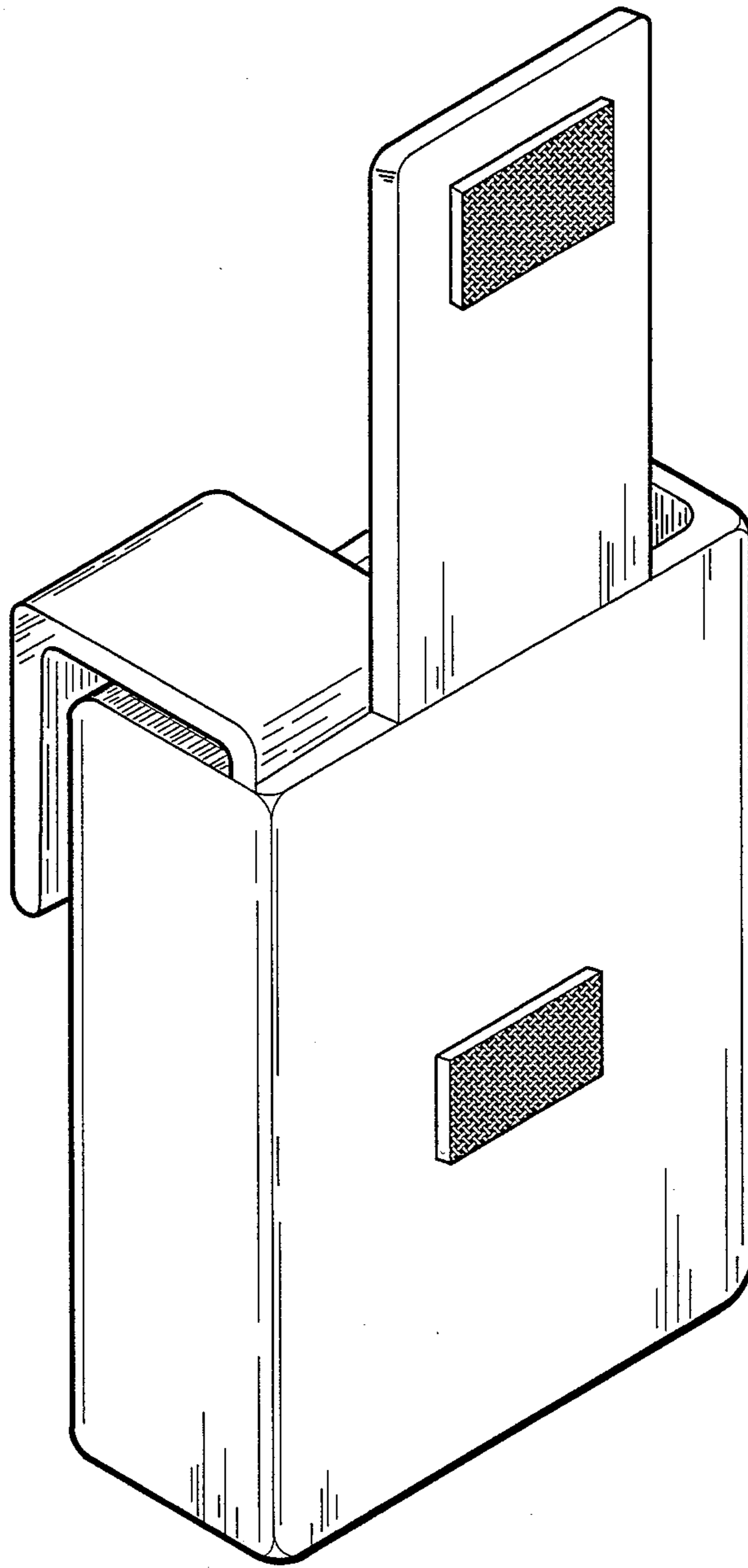


FIG. 8