

[54] TELEPHONE SET
[75] Inventor: Marc Renard, Pierrefitte, France
[73] Assignee: Matra Communication, France
[**] Term: 14 Years
[21] Appl. No.: 356,842
[22] Filed: May 25, 1989

[30] Foreign Application Priority Data

Dec. 6, 1988 [FR] France 88 7498
[52] U.S. Cl. D14/241; D14/151;
D14/248; D14/247
[58] Field of Search D14/151, 240, 248, 247,
D14/241; 379/96, 164, 207, 354, 396

[56] References Cited

U.S. PATENT DOCUMENTS

D. 275,008 8/1984 Martin D14/151
D. 280,404 9/1985 Inaba D14/151
D. 283,620 4/1986 Aguilar D14/151
D. 284,571 7/1986 Marshall D14/151
D. 286,042 10/1986 Fukutami D14/151

D. 295,407 4/1988 Aschauer D14/151
D. 295,514 5/1988 Inaba D14/151
D. 300,926 5/1989 Morikawa et al. D14/151
D. 304,727 11/1989 Barker et al. D14/241
4,773,090 9/1988 Goadman D14/151 X
4,782,522 11/1988 Kramer et al. 379/354 X

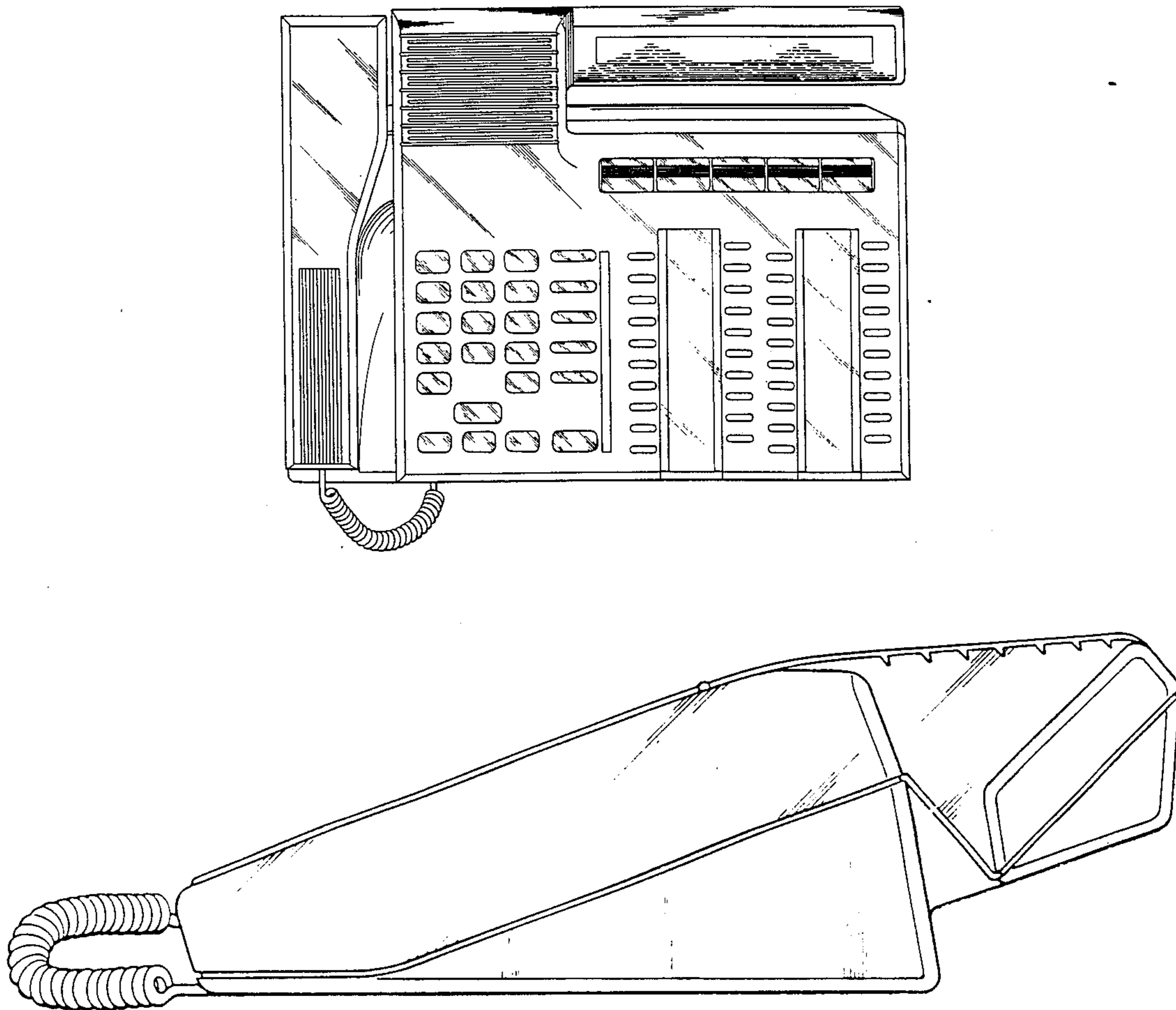
Primary Examiner—Horace B. Fay, Jr.
Attorney, Agent, or Firm—Larson and Taylor

[57] CLAIM

The ornamental design for a telephone set, as shown and described.

DESCRIPTION

FIG. 1 is a top plan view of a telephone set showing my new design in cradled relationship;
FIG. 2 is a top plan view of the telephone base alone, and a bottom plan view of the inverted handset spaced apart from the base;
FIG. 3 is a bottom plan view of the assembled telephone shown in FIG. 1;
FIGS. 4 and 5 are respectively rear and front elevational views thereof; and
FIGS. 6 and 7 are respectively right and left side elevational views thereof.



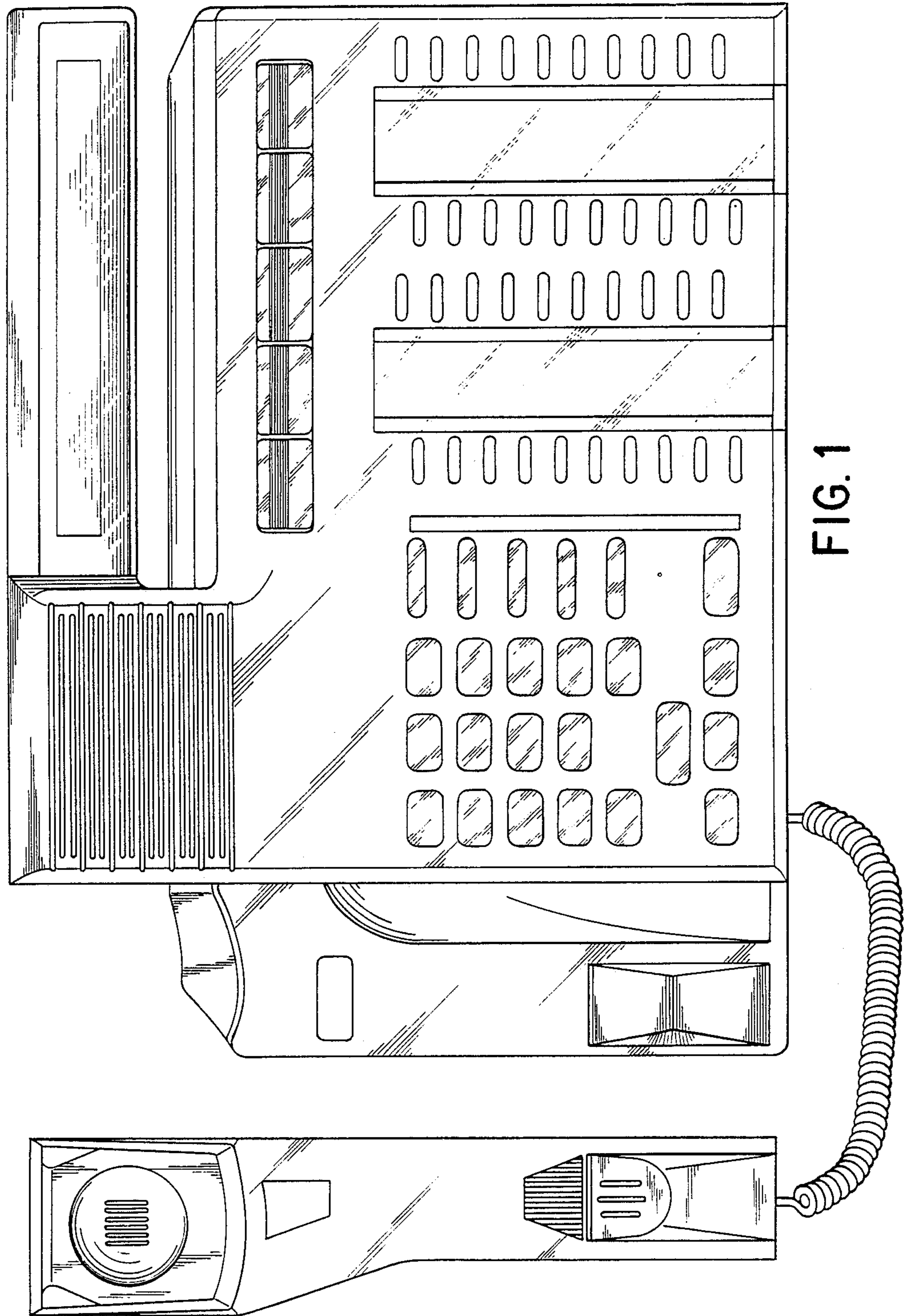


FIG. 1

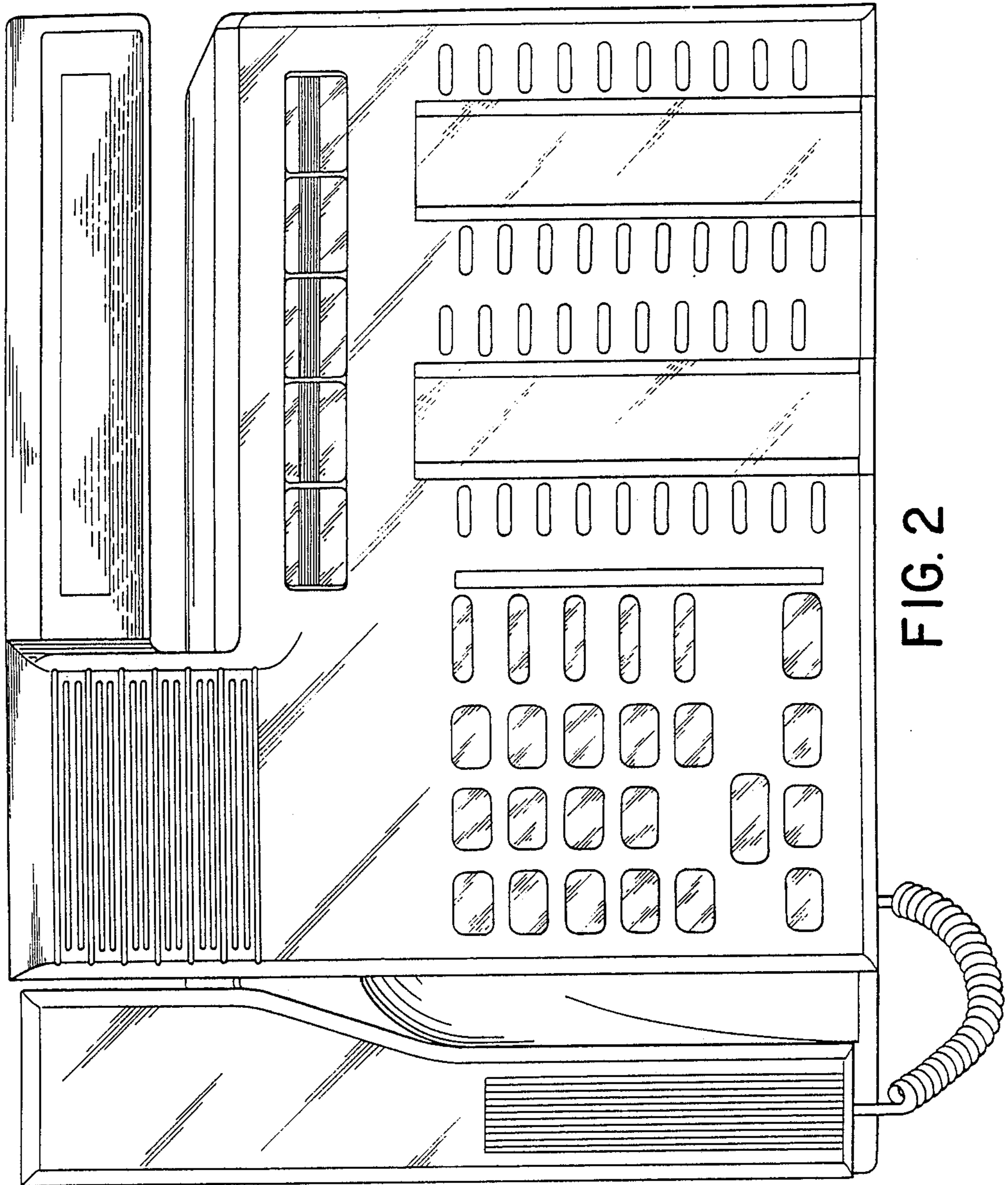


FIG. 2

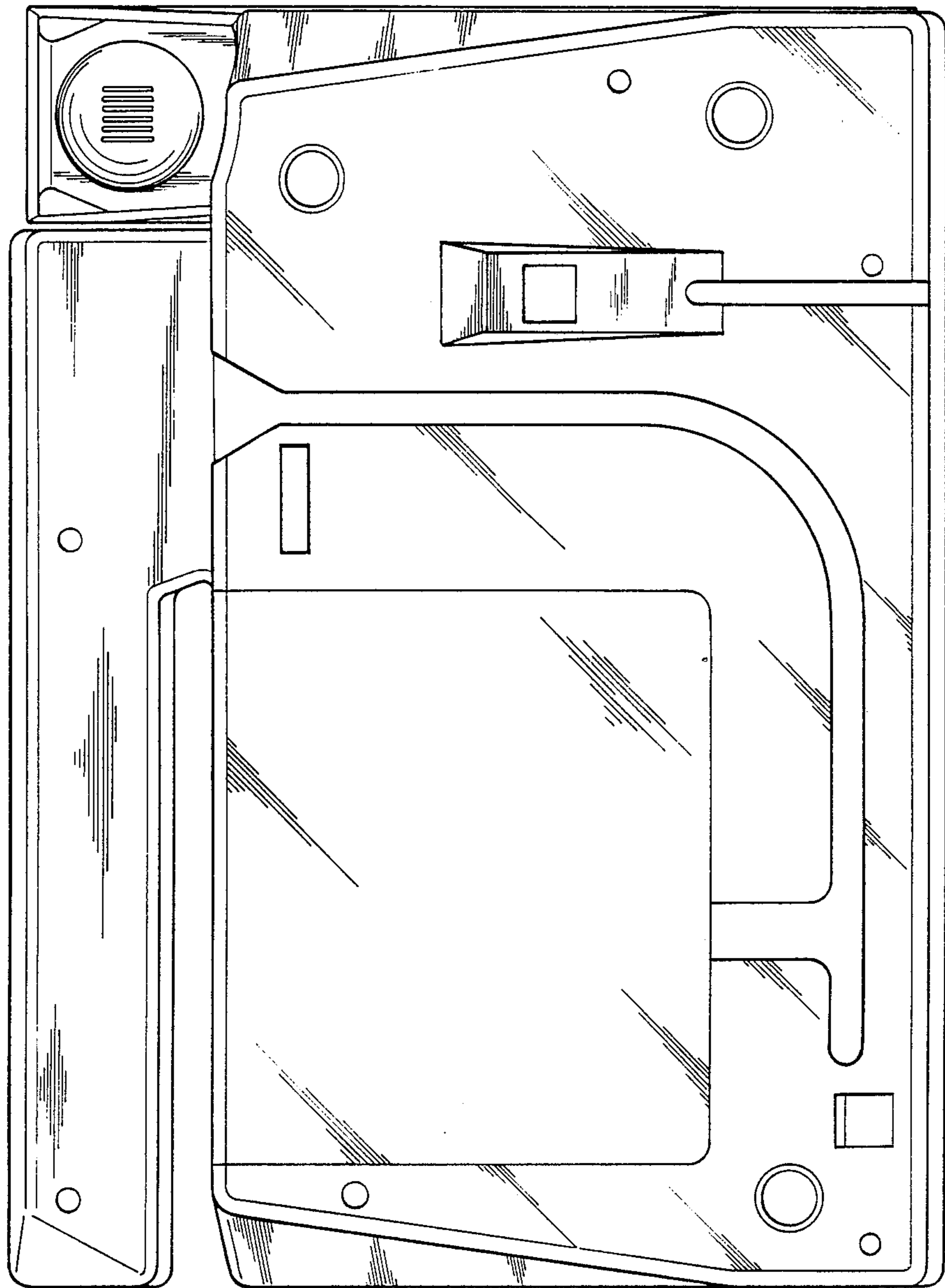


FIG. 3

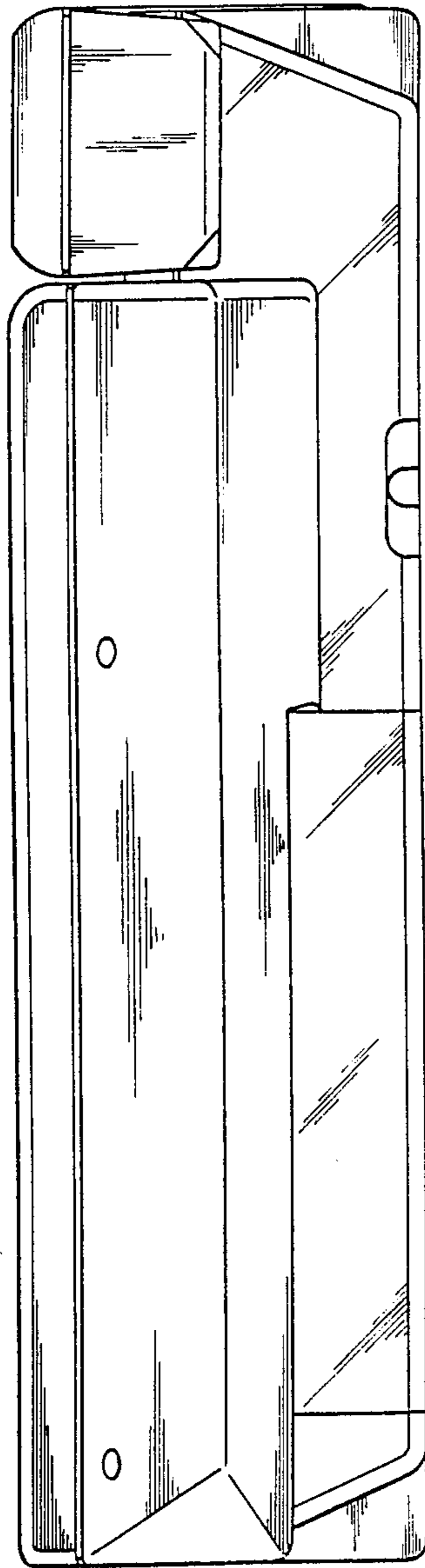


FIG. 4

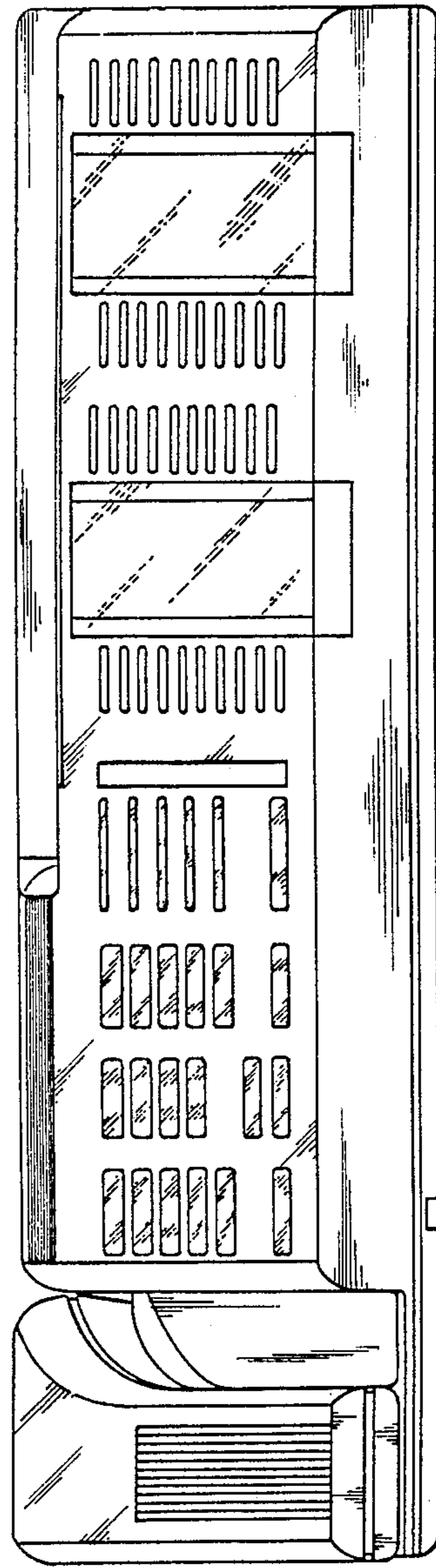


FIG. 5

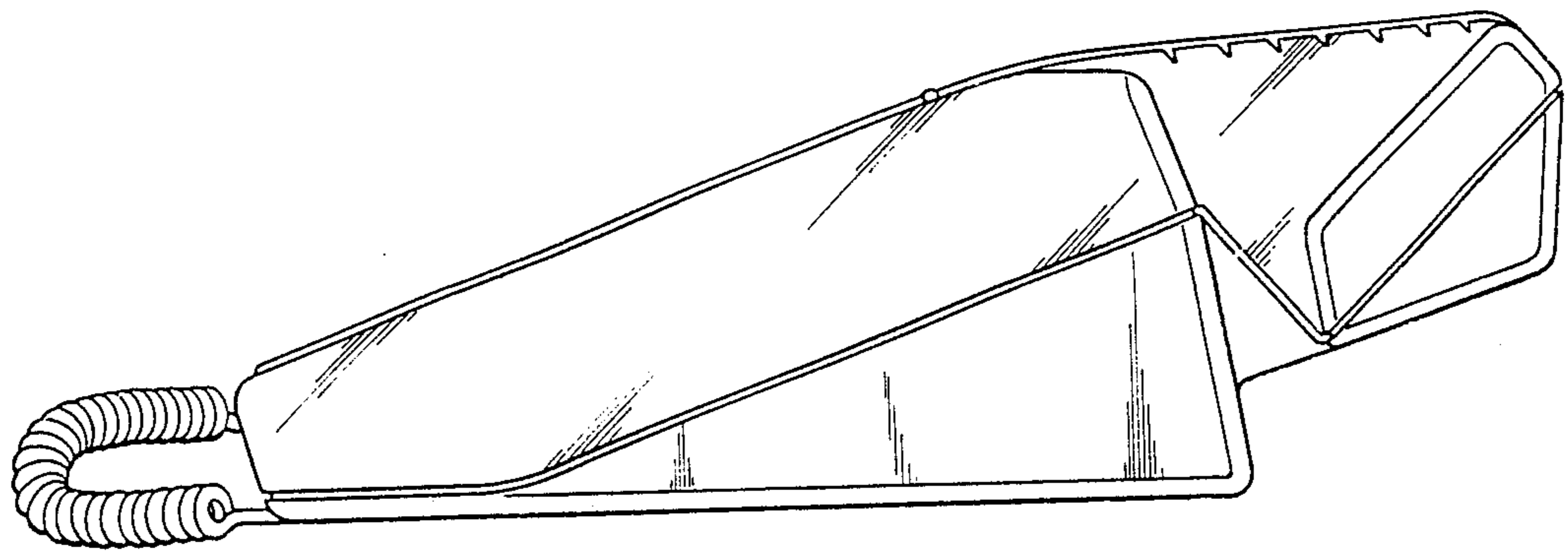


FIG. 6

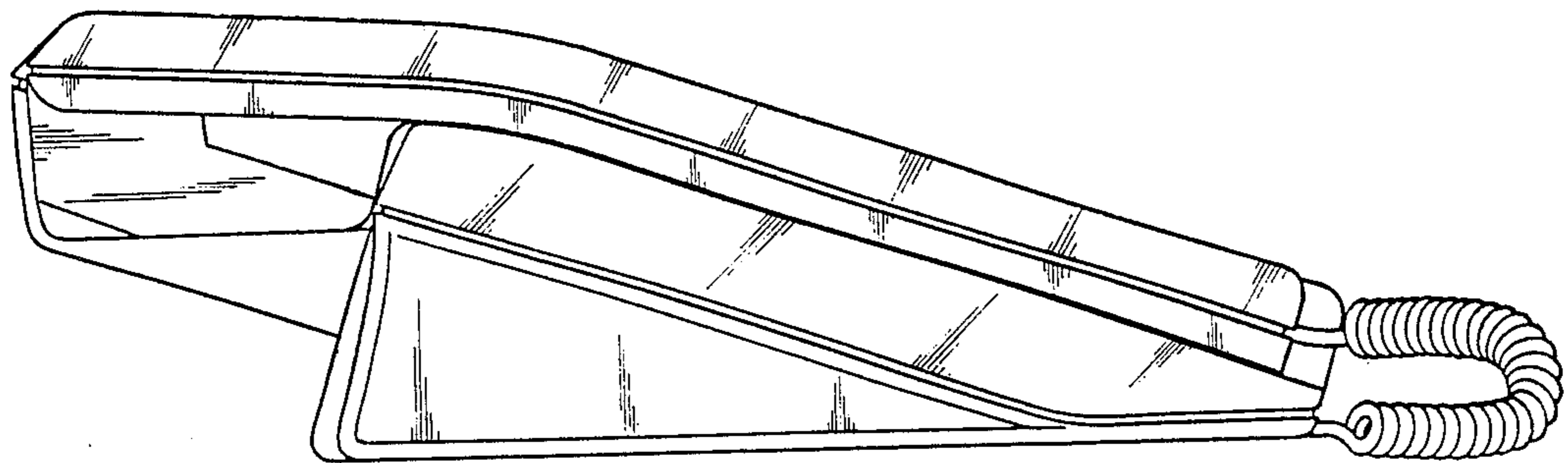


FIG. 7