

[54] **VIDEO CASSETTE RECORDER**

[75] **Inventor: Sa Y. Hong, Seoul, Rep. of Korea**

[73] **Assignee: Gold Star Co., Ltd., Seoul, Rep. of Korea**

[**] **Term: 14 Years**

[21] **Appl. No.: 108,739**

[22] **Filed: Oct. 14, 1987**

[30] **Foreign Application Priority Data**

Apr. 27, 1987 [KR] Rep. of Korea 6131/1987

[52] **U.S. Cl. D14/135; D14/136**

[58] **Field of Search D14/124-126,
D14/129, 134-136, 156, 160-165**

[56] **References Cited**

U.S. PATENT DOCUMENTS

- D. 294,489 3/1988 Okamoto D14/156
- D. 301,880 6/1989 Shim D14/136 X
- D. 301,881 6/1989 Yang D14/136 X

OTHER PUBLICATIONS

Video Review; Dec. 1986; p. 92; Left center—Teknika model VCR-683.

Video Review; Dec. 1986; p. 13; Magnavox model VR9565.

Stereo Review; Sep. 1987; p. 14; Top right—JVC model HR-S7000U VCR.

HFD; 10/05/87; p. 126; Center—Shintom model VCR-4010.

Primary Examiner—Theodore M. Shooman
Attorney, Agent, or Firm—John P. White

[57] **CLAIM**

The ornamental design for a video cassette recorder, as shown and described.

DESCRIPTION

FIG. 1 is a top, front and right side perspective view of a video cassette recorder showing my new design;

FIG. 2 is a top, front and right side perspective view thereof, shown with the cover in an open position;

FIG. 3 is a top plan view thereof;

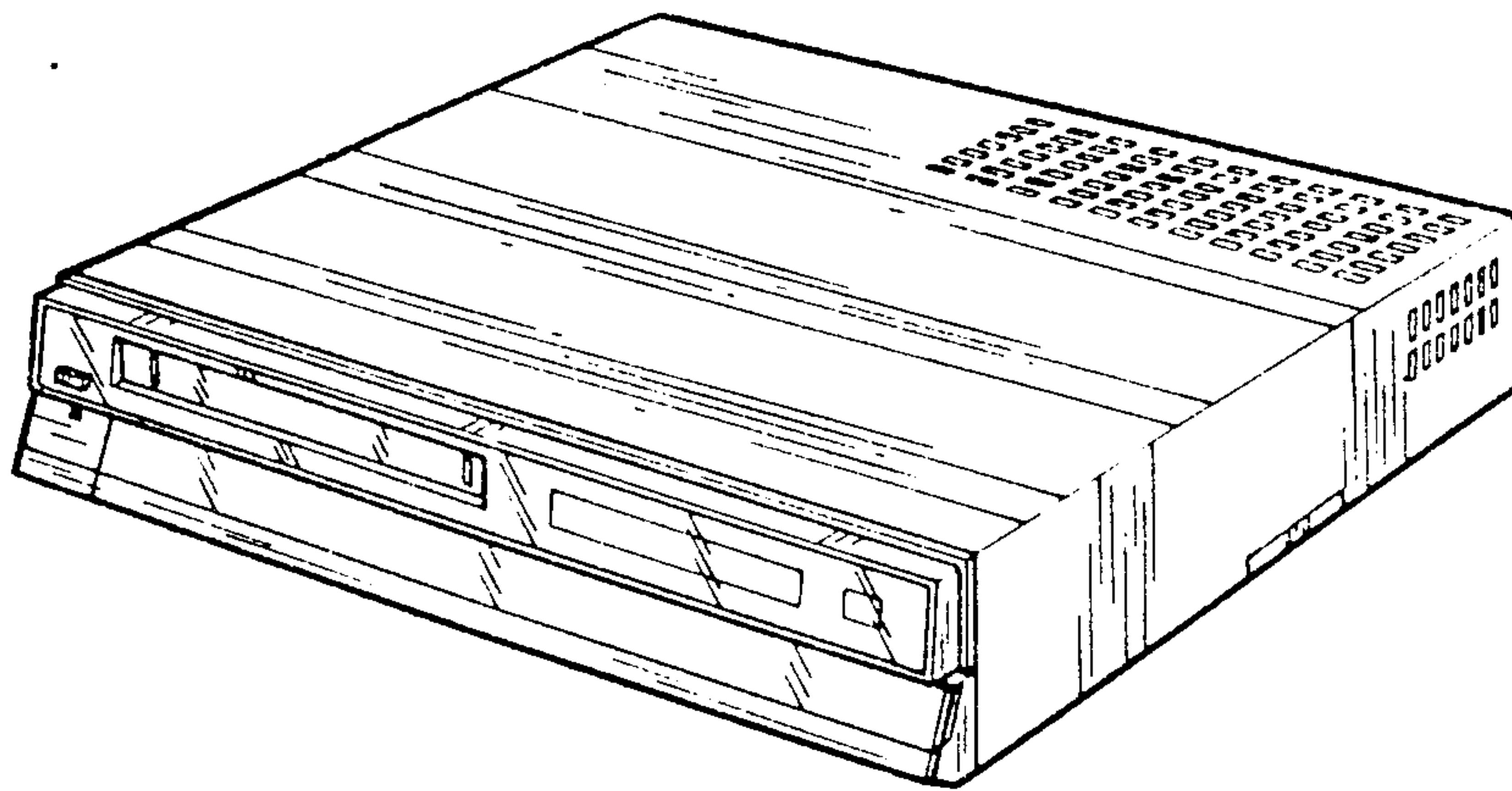
FIG. 4 is a front elevational view thereof;

FIG. 5 is a bottom plan view thereof;

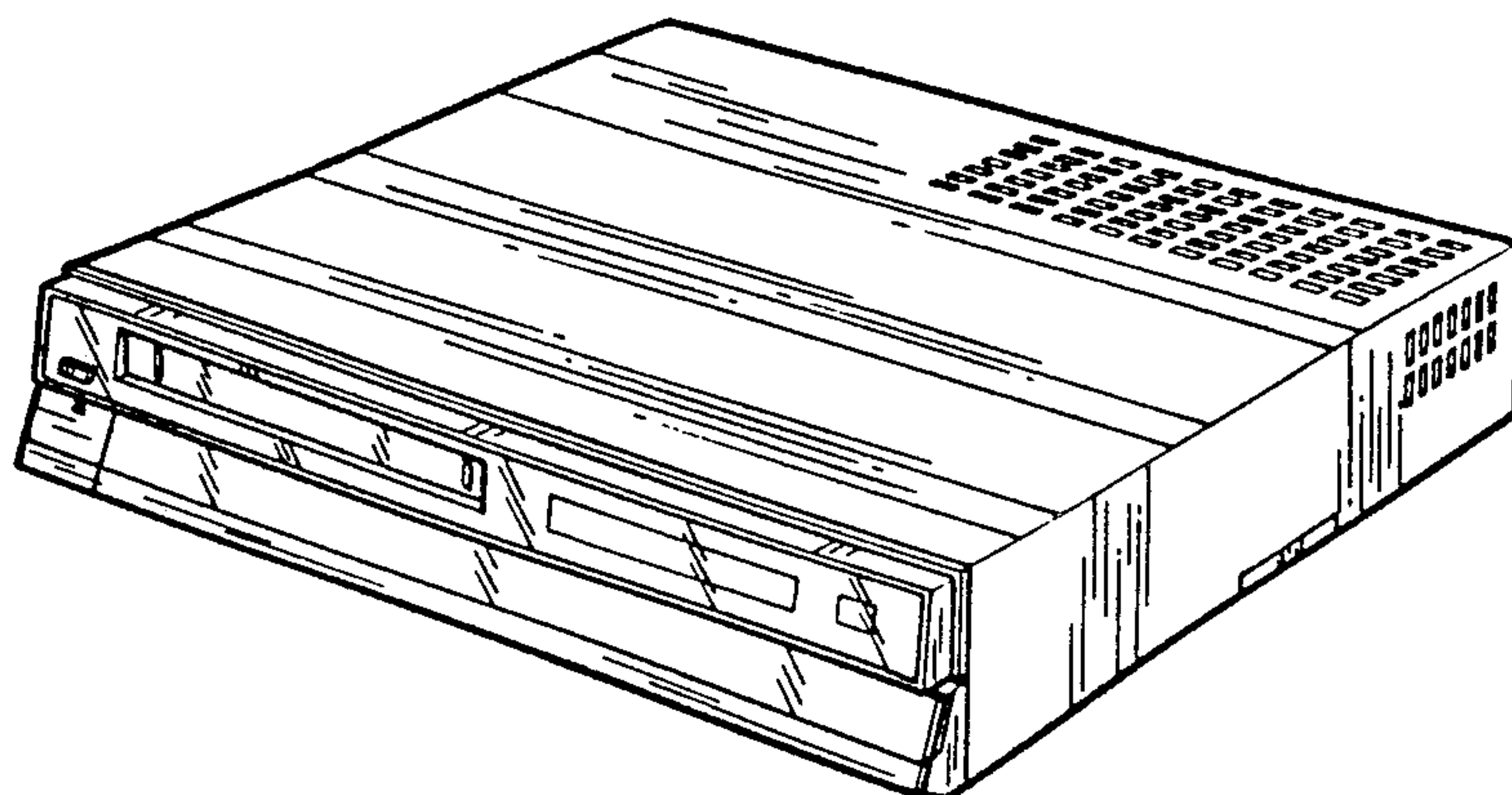
FIG. 6 is a rear elevational view thereof;

FIG. 7 is a right side elevational view thereof; and

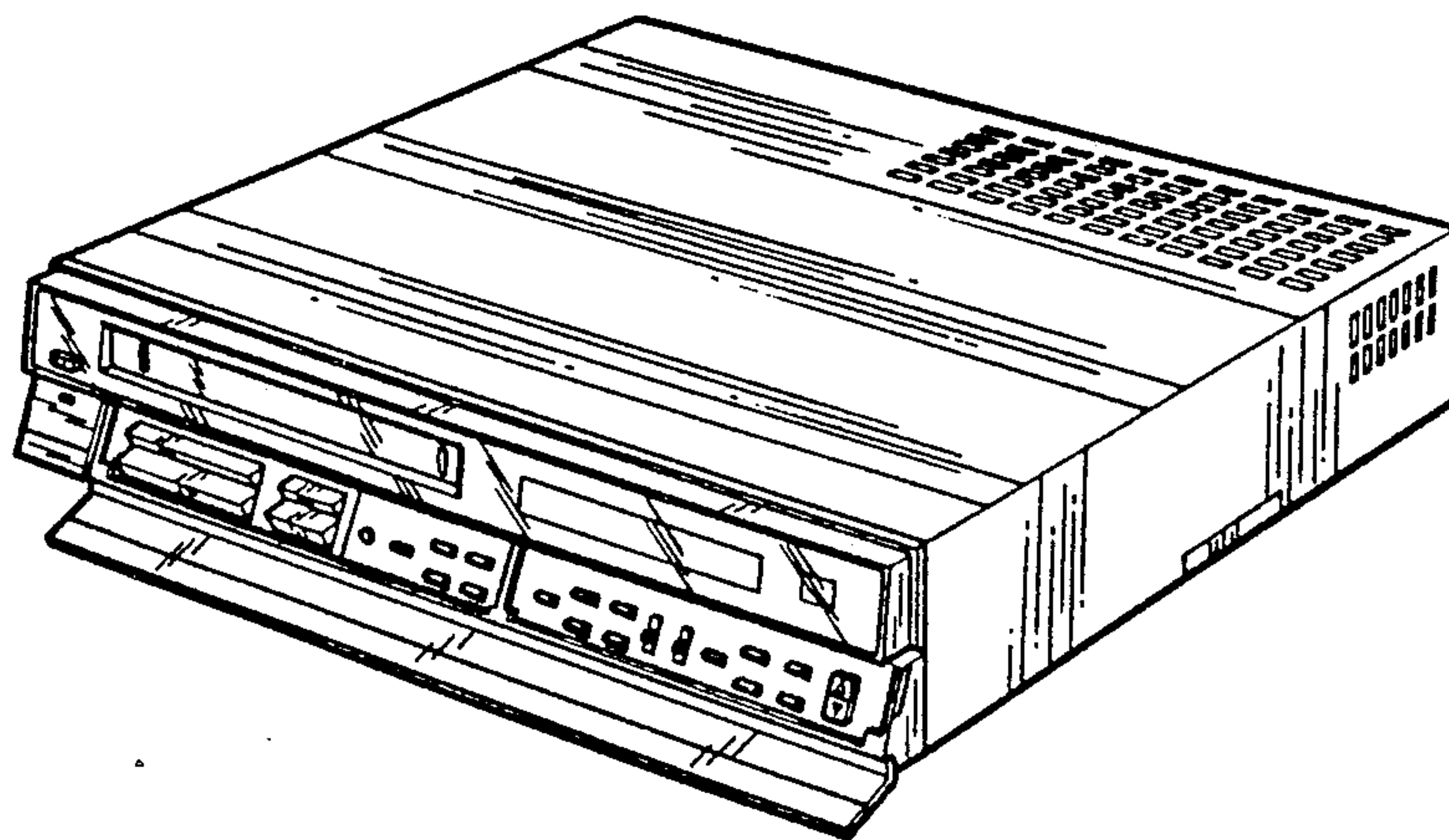
FIG. 8 is a left side elevational view.



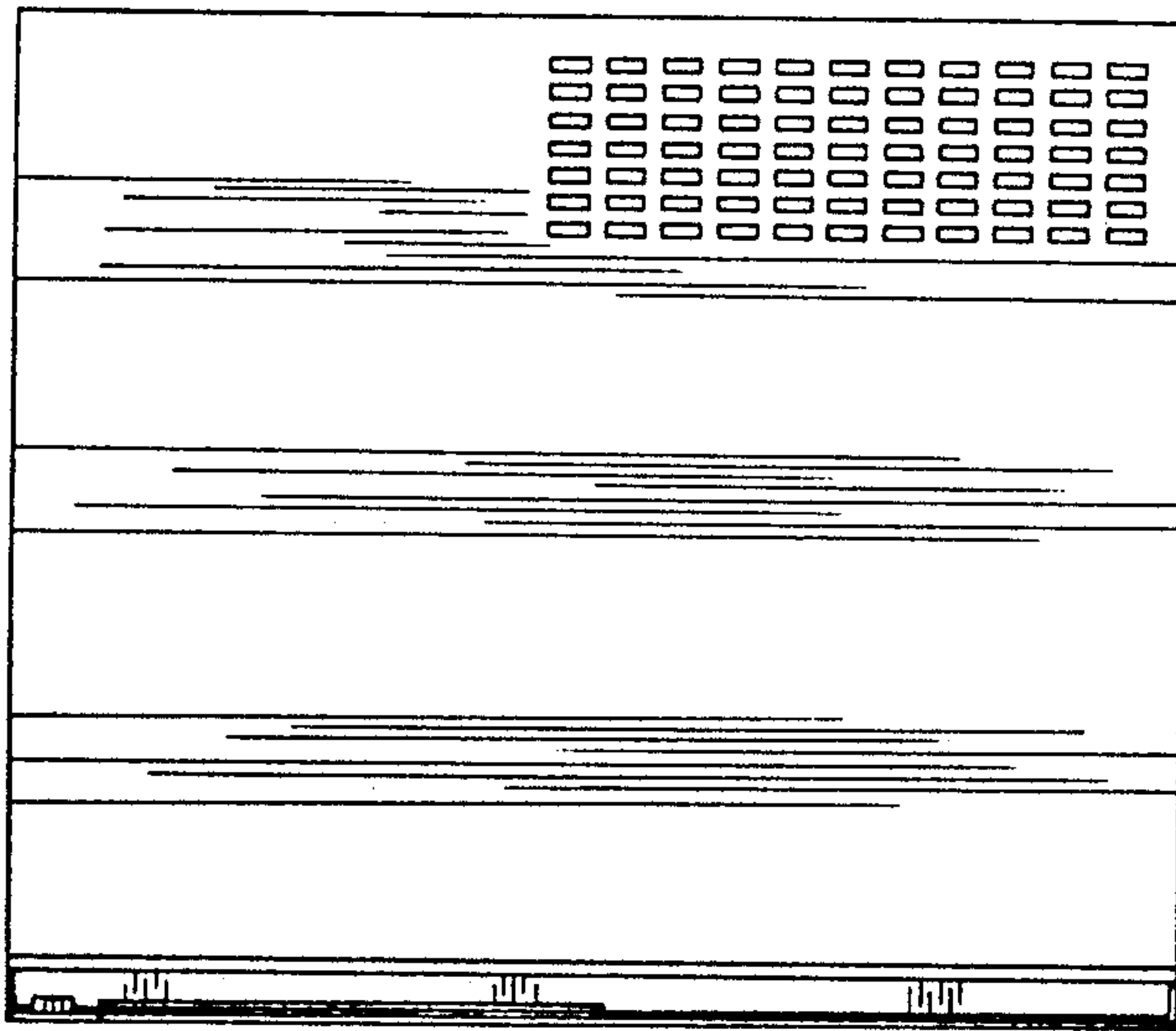
F I G . 1



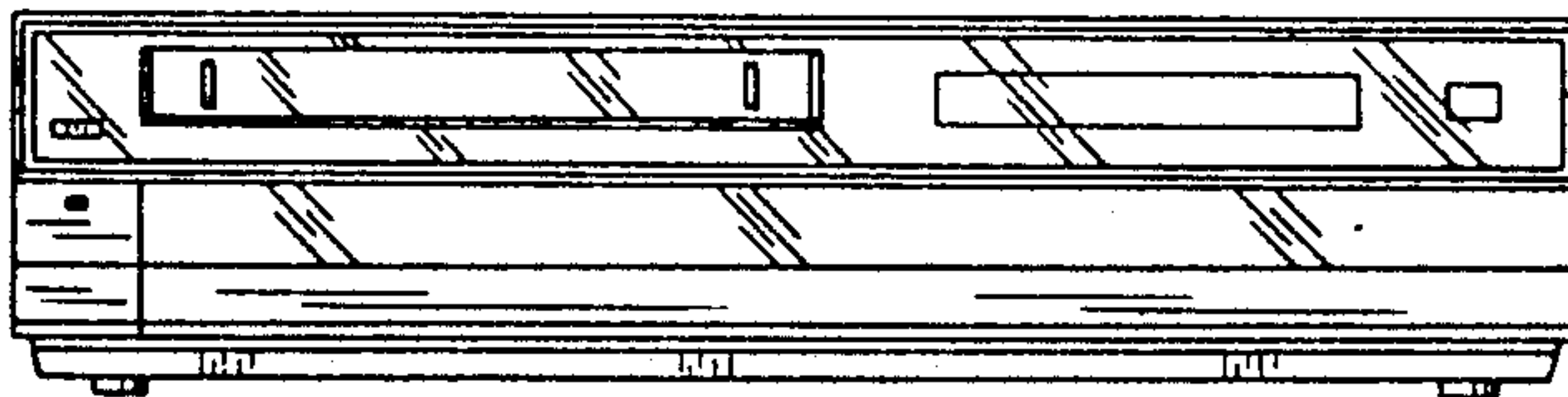
F I G . 2



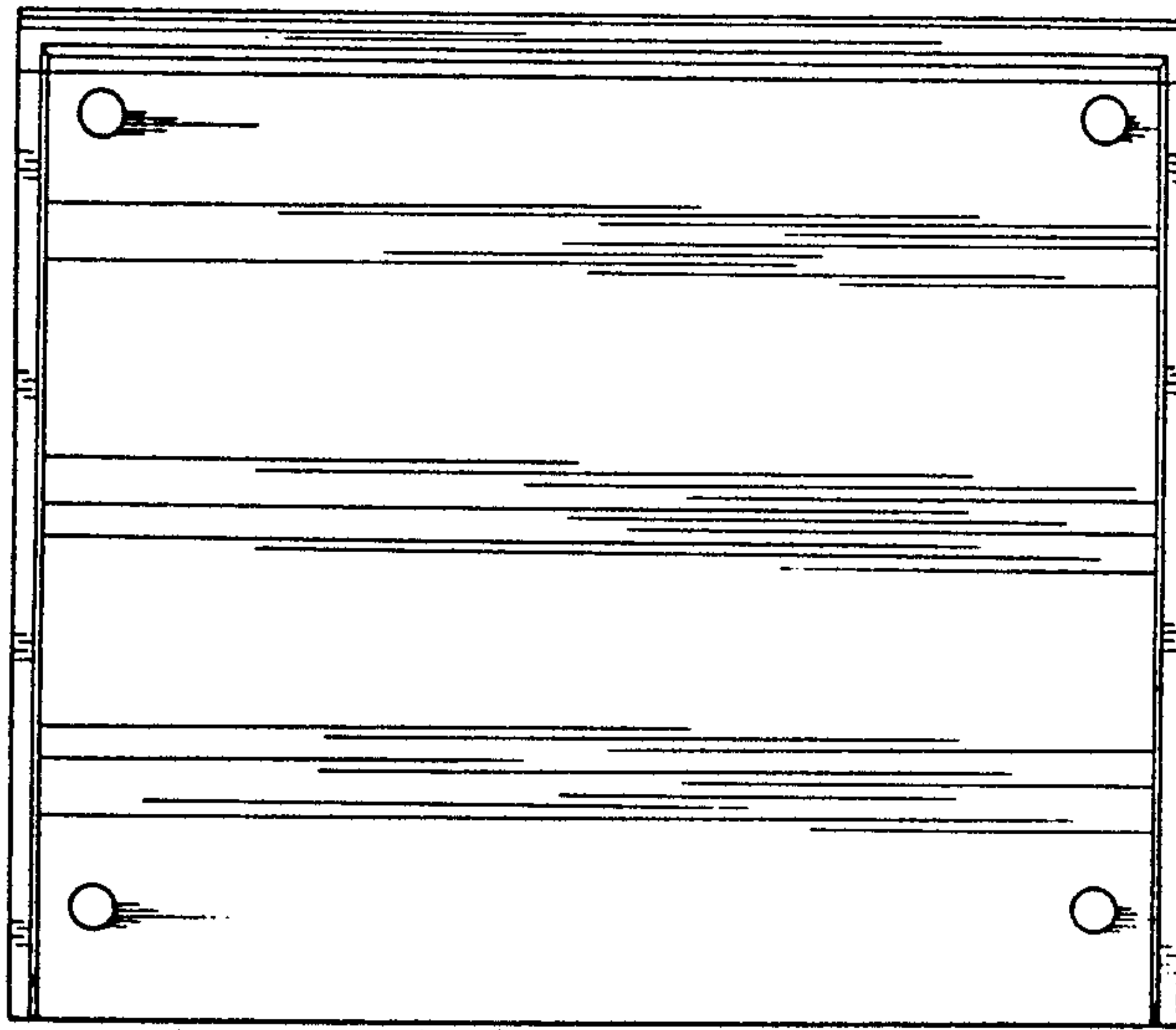
F I G . 3



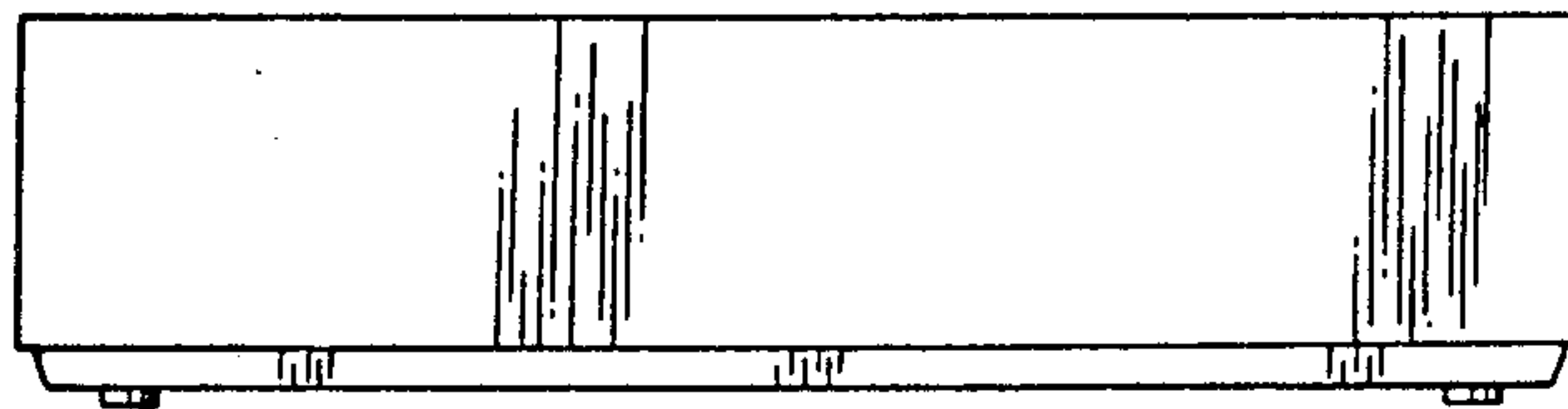
F I G . 4



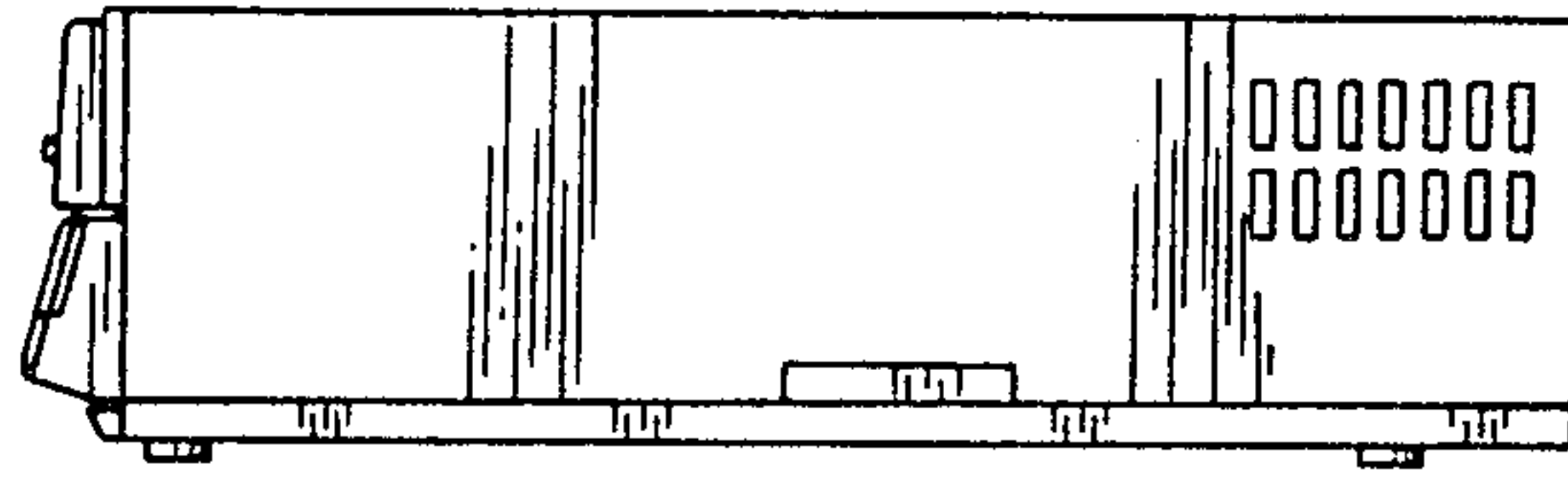
F I G . 5



F I G . 6



F I G . 7



F I G . 8

