

# United States Patent [19]

Pedinielli et al.

[11] Patent Number: **Des. 311,910**

[45] Date of Patent: **\*\* Nov. 6, 1990**

[54] **HIGH SPEED MODEM**

[75] Inventors: **Gilbert Pedinielli, Nice; Daniel Richelet, St. Barnabe, both of France**

[73] Assignee: **International Business Machines Corporation, Armonk, N.Y.**

[\*\*] Term: **14 Years**

[21] Appl. No.: **298,386**

[22] Filed: • **Jan. 17, 1989**

[30] **Foreign Application Priority Data**

Jul. 22, 1988 [EP] European Pat. Off. .... 884800

[52] U.S. Cl. .... **D14/107**

[58] Field of Search ..... D14/100, 107, 114;  
D13/162, 147, 199; 360/97-99, 132, 133;  
361/392, 394, 395, 399, 415, 413; 174/52 R;  
273/148 B, 1 GC; 200/5 A, 5 R, 6 A, 6 R;  
439/61

[56] **References Cited**

**U.S. PATENT DOCUMENTS**

D. 262,106 12/1981 Frassanito ..... D14/107  
D. 269,345 6/1983 Payne, Jr. et al. .... D14/107

D. 295,178 4/1988 Pedinielli et al. .... D14/107  
D. 297,843 9/1988 Pedinielli et al. .... D14/107  
D. 301,877 6/1989 Greenberg et al. .... D14/107  
D. 308,864 6/1990 Takai ..... D14/107

*Primary Examiner*—Wallace R. Burke  
*Assistant Examiner*—Freda S. Nunn  
*Attorney, Agent, or Firm*—Edward H. Duffield

[57] **CLAIM**

The ornamental design for a high speed modem, as shown and described.

**DESCRIPTION**

FIG. 1 is a top, front, right side perspective view of a high speed modem showing my new design;  
FIG. 2 is a front elevational view thereof on an enlarged scale;  
FIG. 3 is a rear elevational view thereof on an enlarged scale;  
FIG. 4 is a right side elevational view thereof on an enlarged scale;  
FIG. 5 is a left side elevational view thereof on an enlarged scale;  
FIG. 6 is a top plan view thereof on an enlarged scale;  
FIG. 7 is a bottom plan view thereof on an enlarged scale.

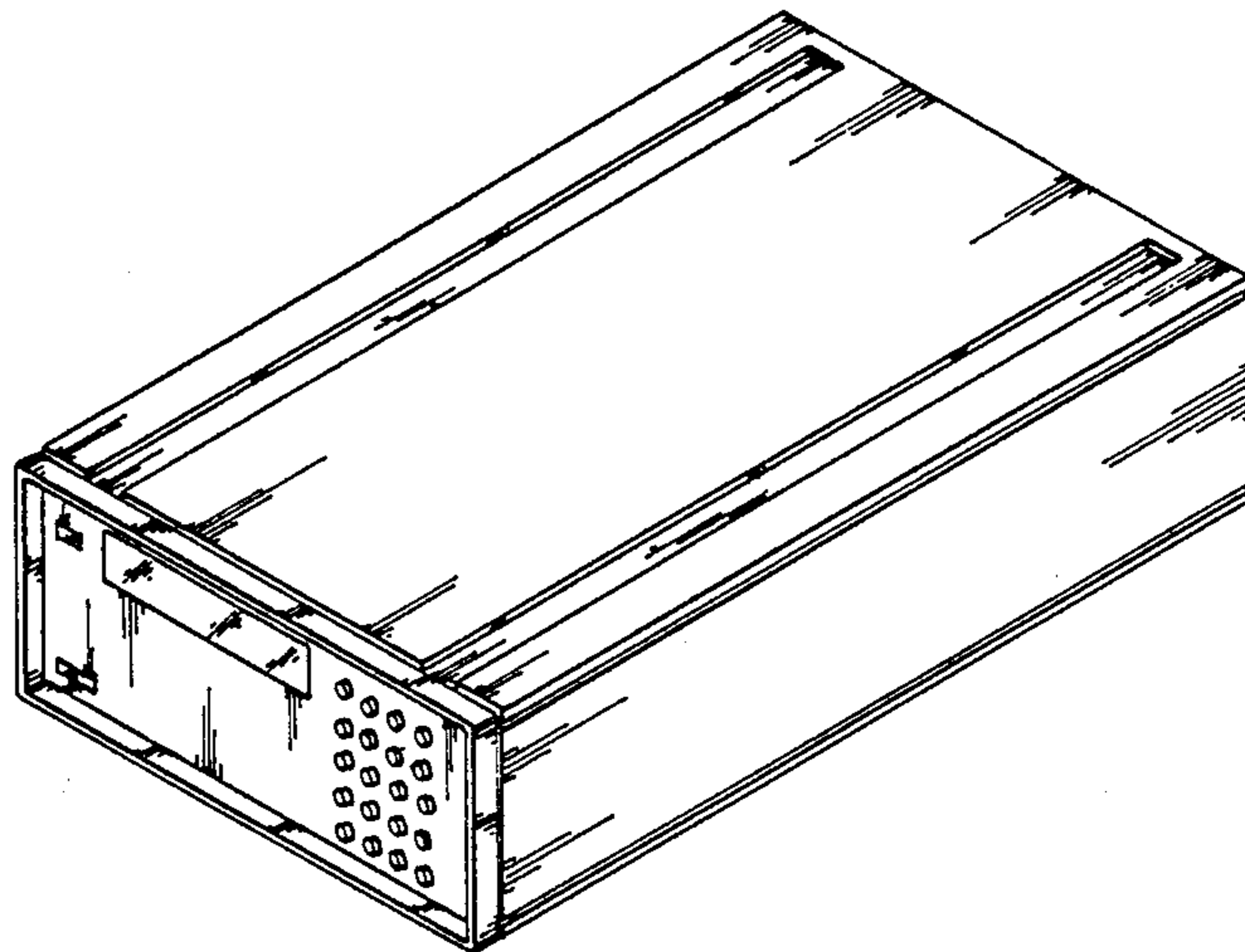


FIG. 1

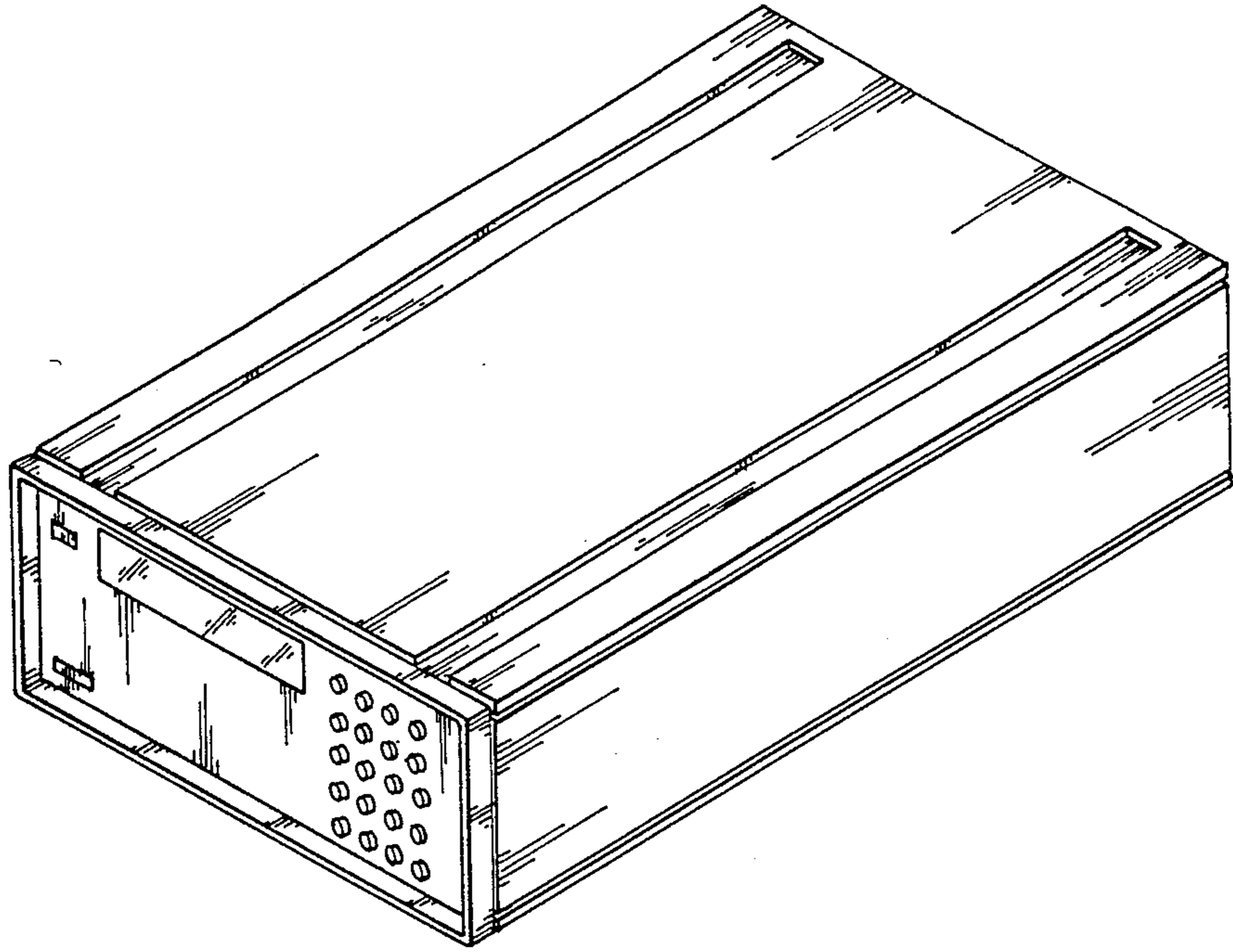


FIG. 2

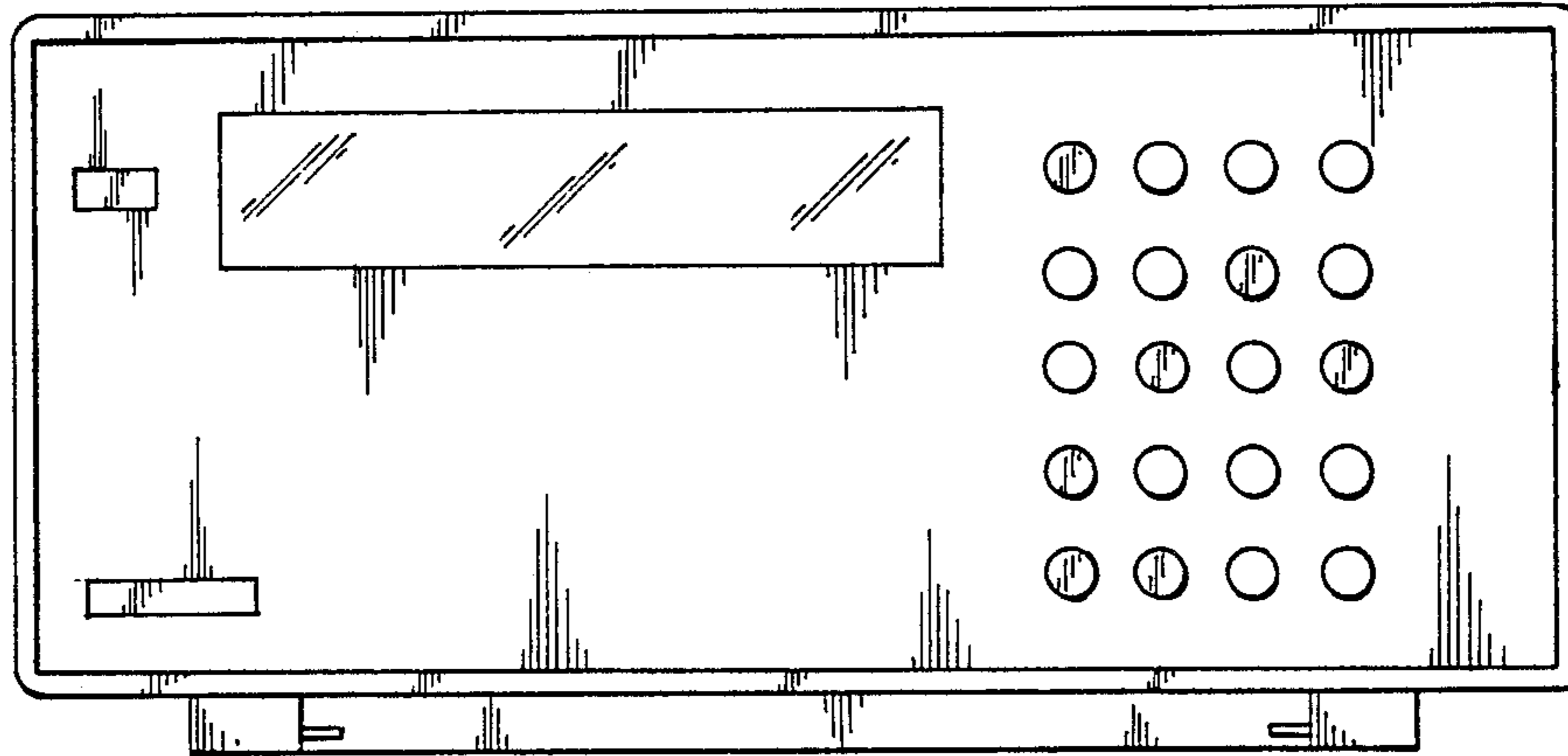
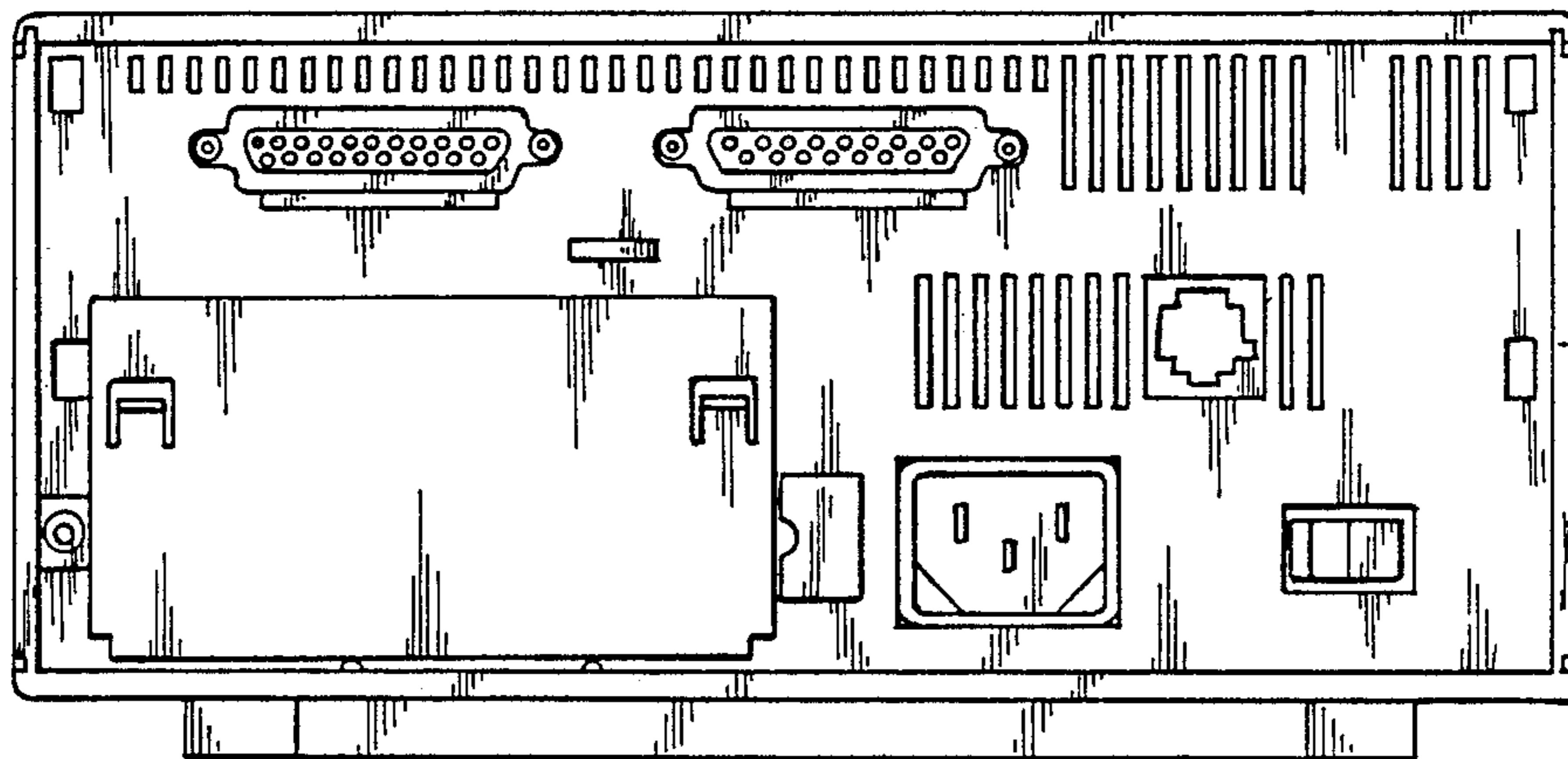


FIG. 3



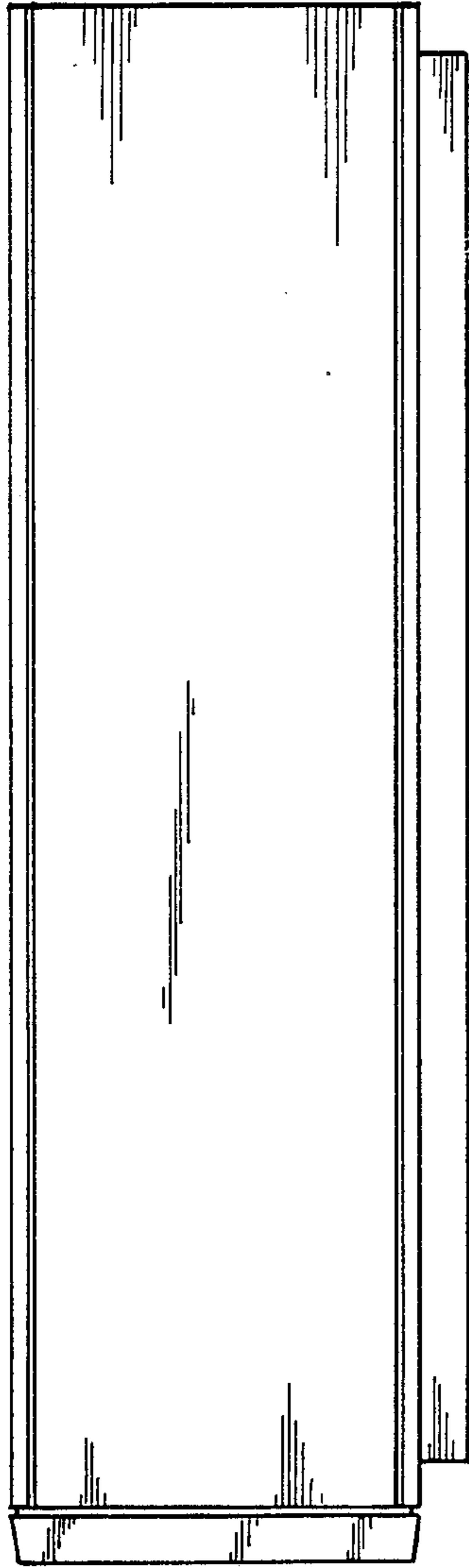


FIG. 4

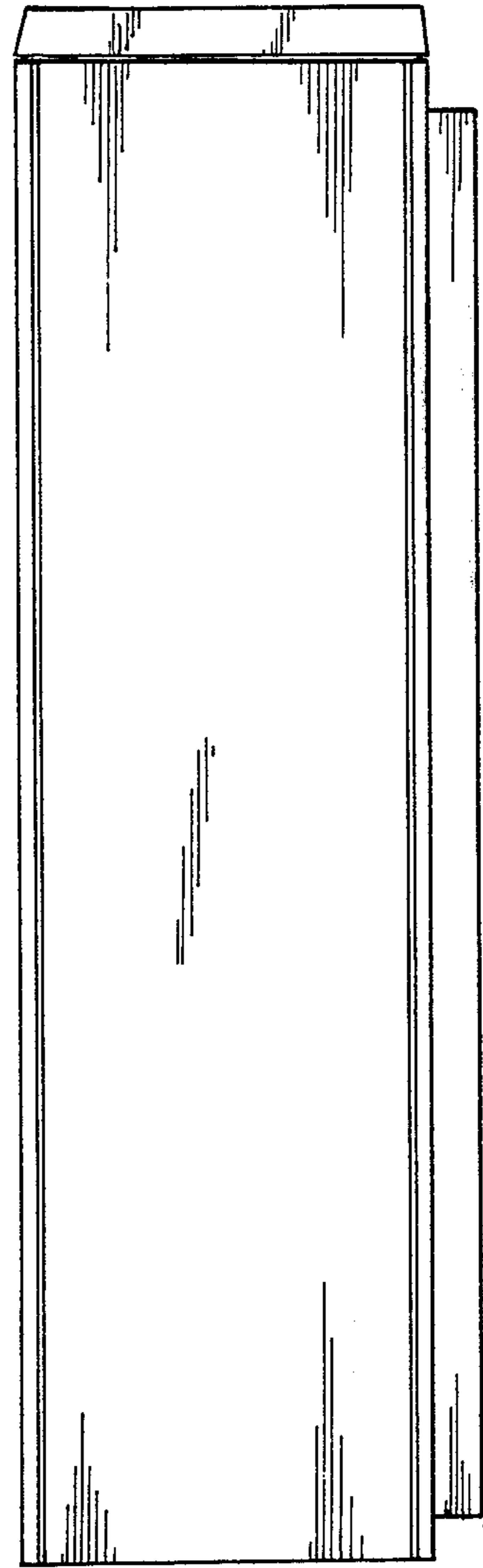


FIG. 5

FIG. 6

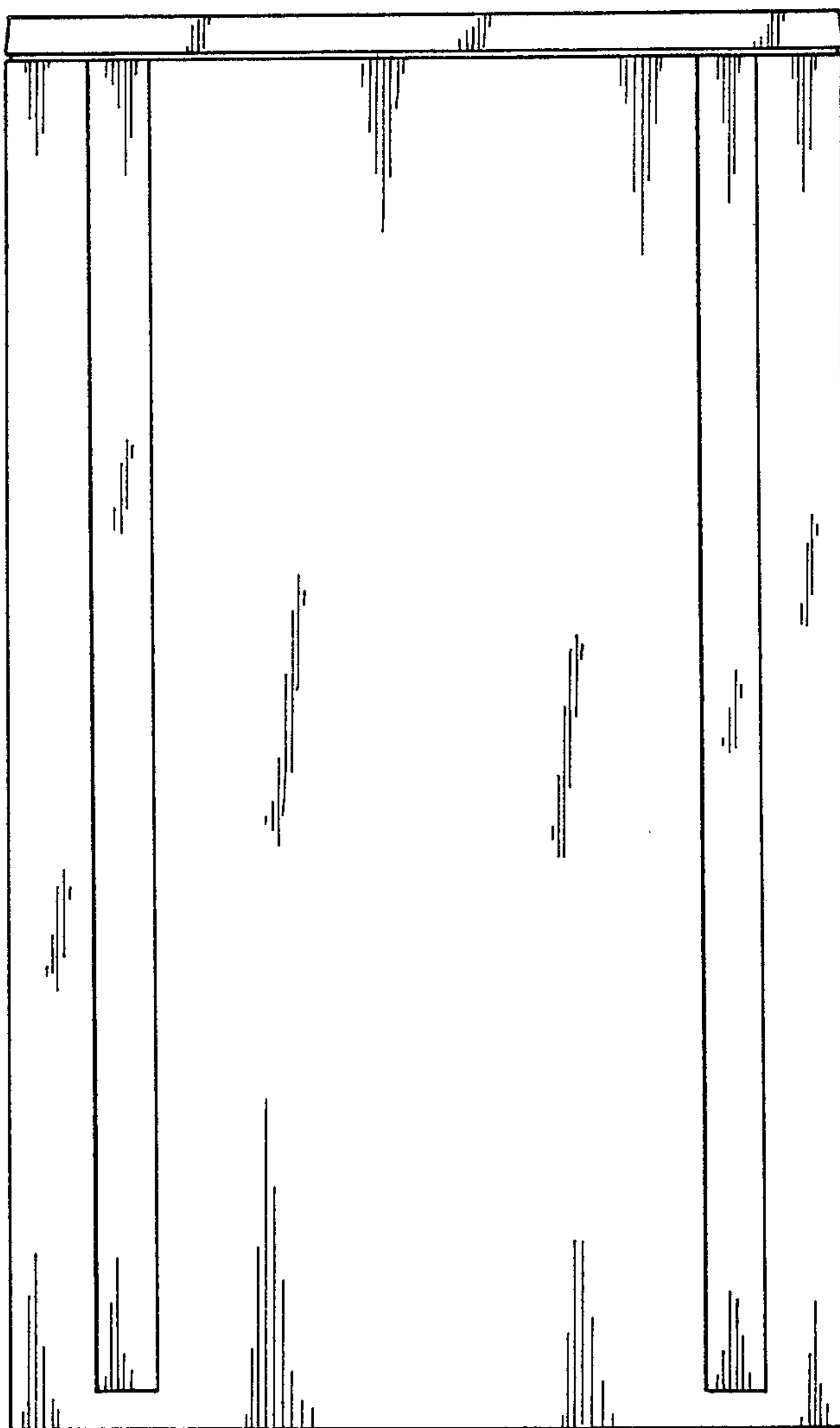


FIG. 7

