

[54] COMPACT ELECTRONIC SCANNER

[75] Inventor: Philip L. Chen, Rancho Palos Verdes, Calif.  
[73] Assignee: Microtek Lab., Inc., Gardena, Calif.  
[\*\*] Term: 14 Years  
[21] Appl. No.: 216,996

[22] Filed: Jul. 11, 1988  
[52] U.S. Cl. .... D14/107  
[58] Field of Search ..... D14/100, 105, 107, 114, D14/116; 235/462, 470, 472, 454, 473, 471, 475, 479; 250/203 R, 566, 568, 569, 239; 358/408, 473, 474, 497; 354/80, 81, 82; 355/231, 233; 382/58, 59, 62, 63, 65

[56] References Cited

U.S. PATENT DOCUMENTS

D. 186,197 9/1959 Maul ..... D18/14  
D. 201,722 7/1965 Van Acker et al. .... D18/14  
D. 302,007 7/1989 Hara et al. .... D14/107  
4,766,297 8/1988 McMillan ..... 235/462 X

FOREIGN PATENT DOCUMENTS

706332 5/1987 Japan ..... D14/107

OTHER PUBLICATIONS

CompuScan, Inc., Feb. 1986, p. 1, "CompuScan PCS (Personal Computer Scanner)".  
NEC Catalog, Jul. 1986, p. 1—"Personal Image Scanner", PC-IN 502.  
Toshiba Catalog, Jun. 1986, p. 1—"Color Image Scanner", SC-4505, (A3).

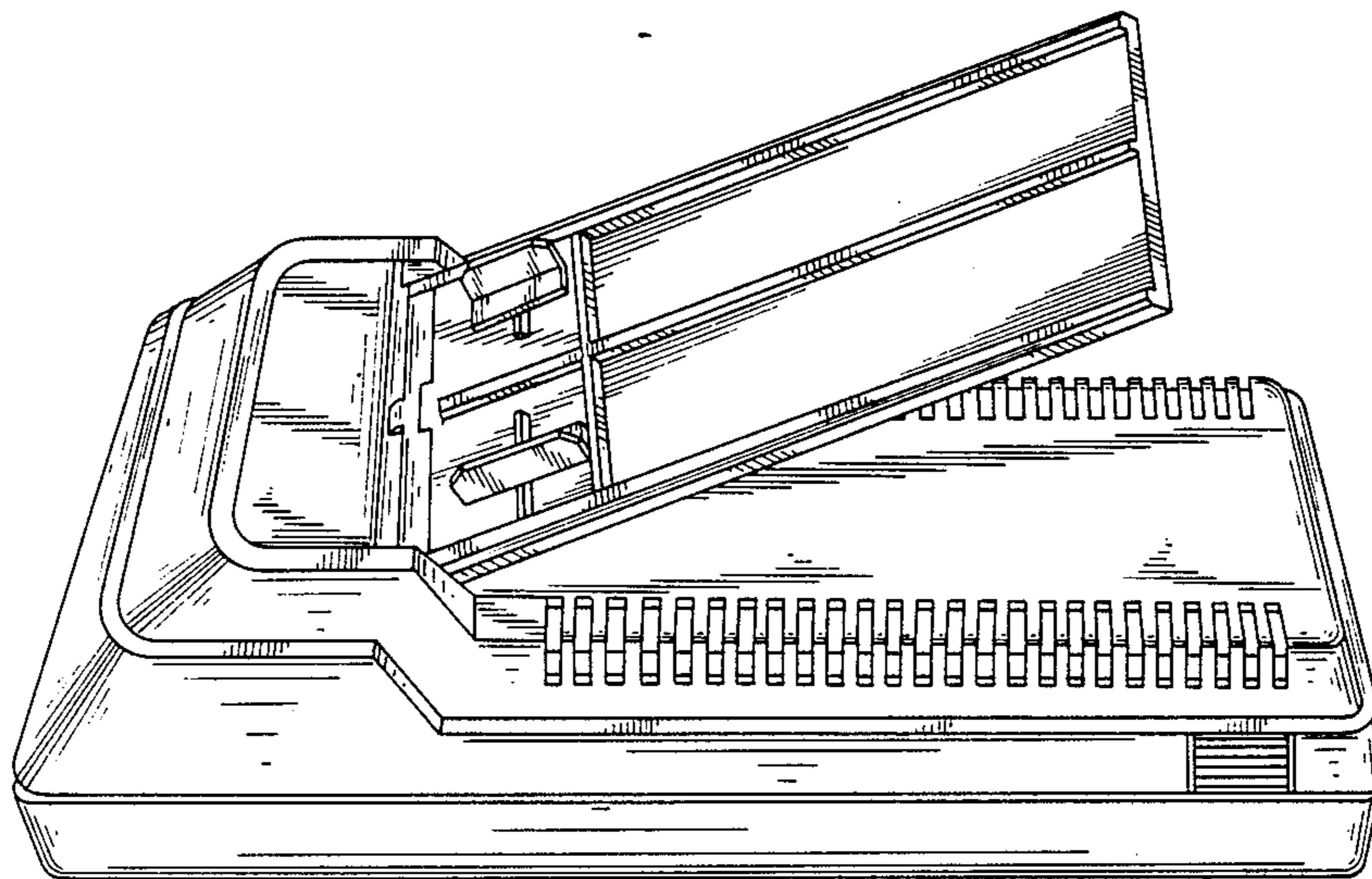
Primary Examiner—Susan J. Lucas  
Assistant Examiner—Freda S. Nunn  
Attorney, Agent, or Firm—Edward A. Sokolski

[57] CLAIM

The ornamental design for a compact electronic scanner, as shown and described.

DESCRIPTION

FIG. 1 is a right side elevational view of a compact electronic scanner showing my new design, the left side being a mirror image of the right side; FIG. 2 is a top plan view thereof; FIG. 3 is a top, right side perspective view thereof on a reduced scale; FIG. 4 is a front elevational view thereof; and FIG. 5 is a rear elevational view thereof; The bottom is plain and unadorned.



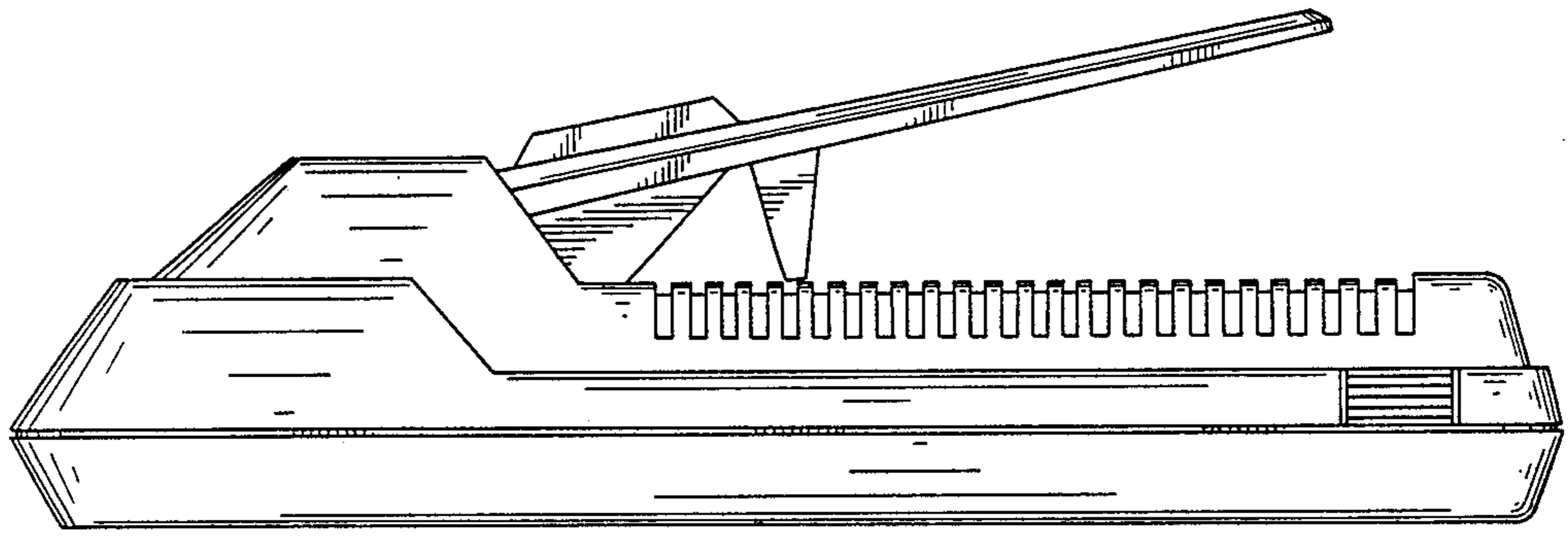
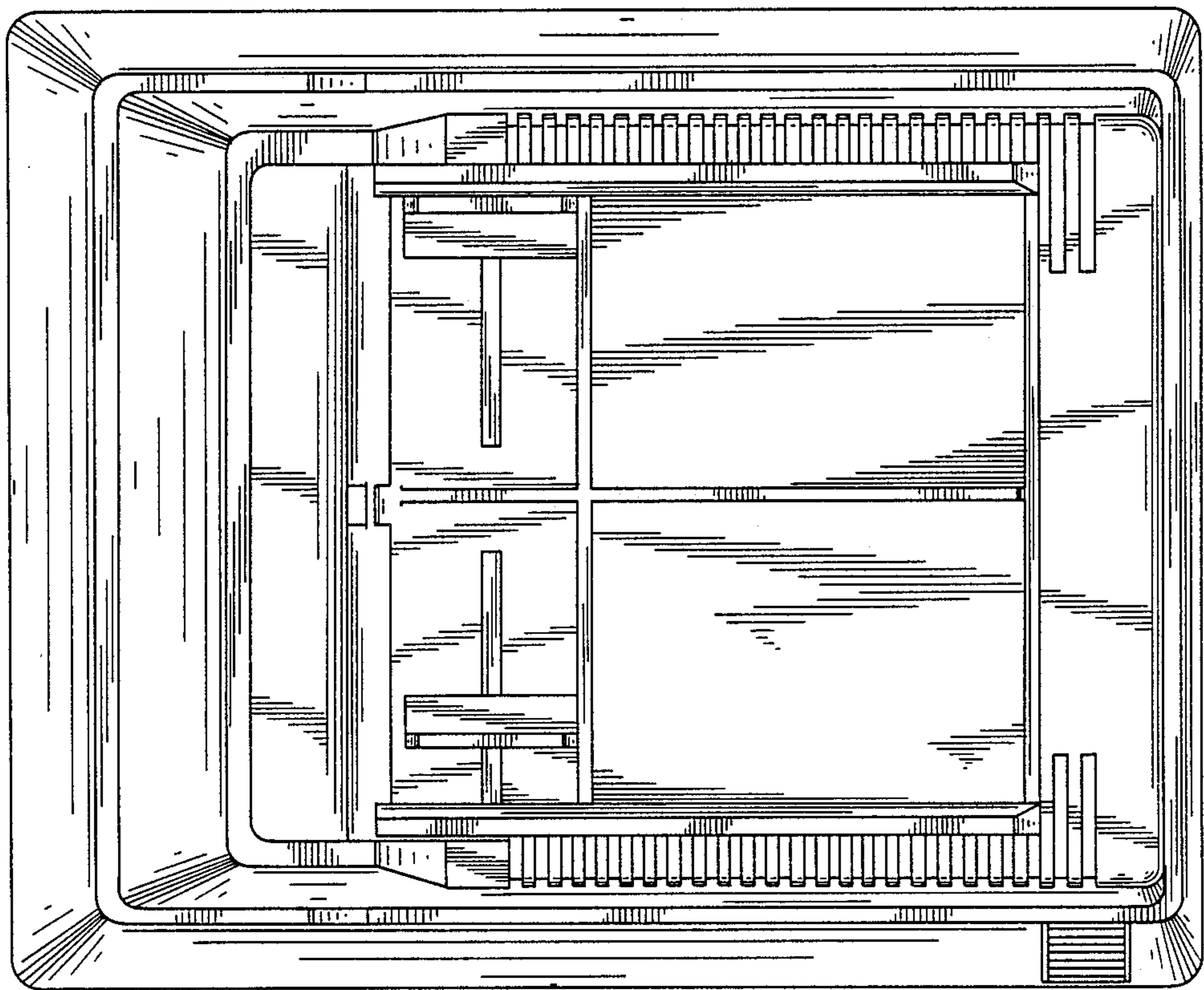


FIG. 1

FIG. 2



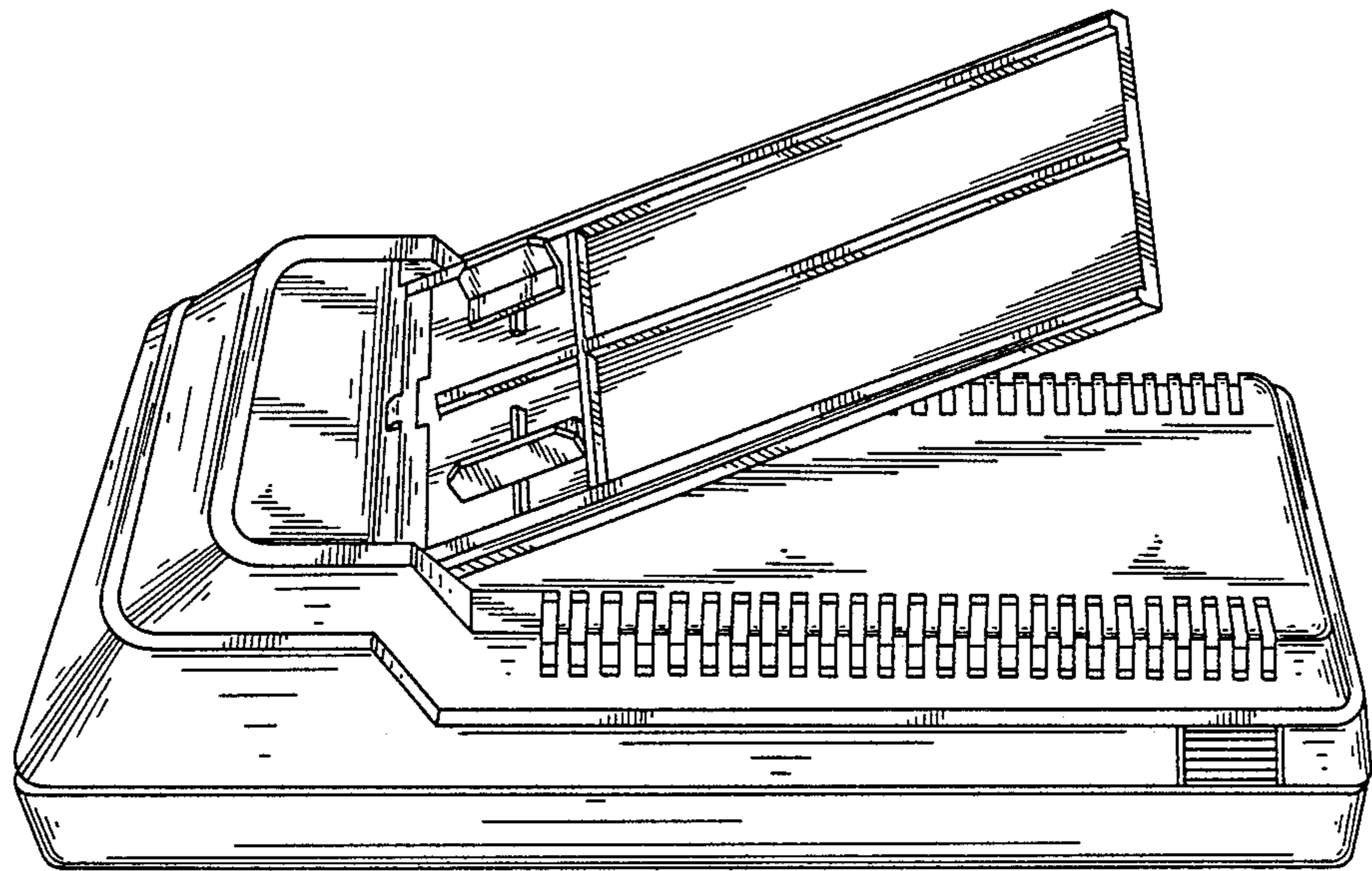


FIG. 3

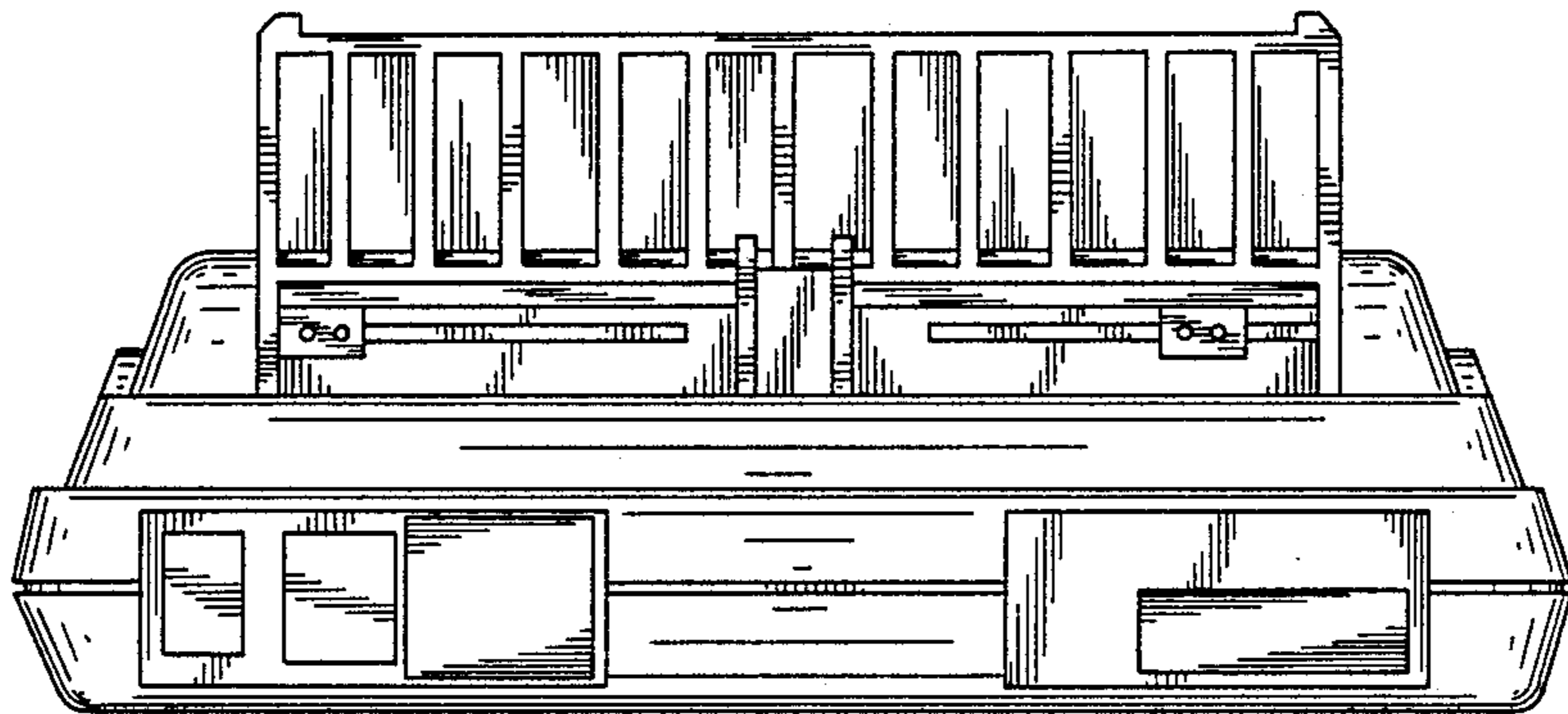


FIG. 4

FIG. 5

