

[54] PORTABLE COMPUTER

[75] Inventor: Thomas A. Molyneaux, Detroit, Mich.

[73] Assignee: GMI Engineering & Management Institute, Flint, Mich.

[\*\*] Term: 14 Years

[21] Appl. No.: 12,940

[22] Filed: Feb. 10, 1987

[52] U.S. Cl. .... D14/106

[58] Field of Search ..... D14/100-117; D18/1, 2, 7, 11, 12; 235/145 A, 145 R, 482; 340/700, 706, 711, 712; 400/677, 676, 682, 472, 489, 492, 496; 364/130, 144, 143, 145, 14, 189, 706, 707, 708-710; 358/249, 254; 341/22, 23; 200/5 A

[56] References Cited

U.S. PATENT DOCUMENTS

- D. 280,511 9/1985 Moggridge et al. .... D14/106
- D. 291,442 8/1987 Kurihara ..... D18/1 X
- D. 295,519 5/1988 Kimble ..... D14/106

OTHER PUBLICATIONS

A+ Magazine, Jan. 1986, p. 8—The Display by Ator. Random Corporation, Oct. 1986, p. 4—Random Computer.

Advertisement—Venture Magazine—2/87—pp. 2-3, (NEC).

Advertisement—Venture Magazine—2/87—pp. 12-13, (Toshiba).

Primary Examiner—Susan J. Lucas  
Assistant Examiner—Freda S. Nunn  
Attorney, Agent, or Firm—Brooks & Kushman

[57] CLAIM

The ornamental design for a portable computer, as shown and described.

DESCRIPTION

FIG. 1 is a top, front, right side perspective view for a portable computer showing my new design;  
 FIG. 2 is a top plan view thereof, in the closed position;  
 FIG. 3 is a right side elevational view thereof, the left side being a mirror image;  
 FIG. 4 is a front elevational view thereof;  
 FIG. 5 is a bottom plan view thereof;  
 FIG. 6 is a rear elevational view thereof;  
 FIG. 7 is a top plan view thereof, in the opened position;  
 FIG. 8 is a top plan view of a second embodiment of my new design, the bottom plan view thereof being identical to the top and the rear and side elevational views being identical to those of the first embodiment;  
 FIG. 9 is a top plan view of a third embodiment of my new design in the opened position, the closed positions being identical to those of the first embodiment; and  
 FIG. 10 is a top, front, right side perspective view of the third embodiment.

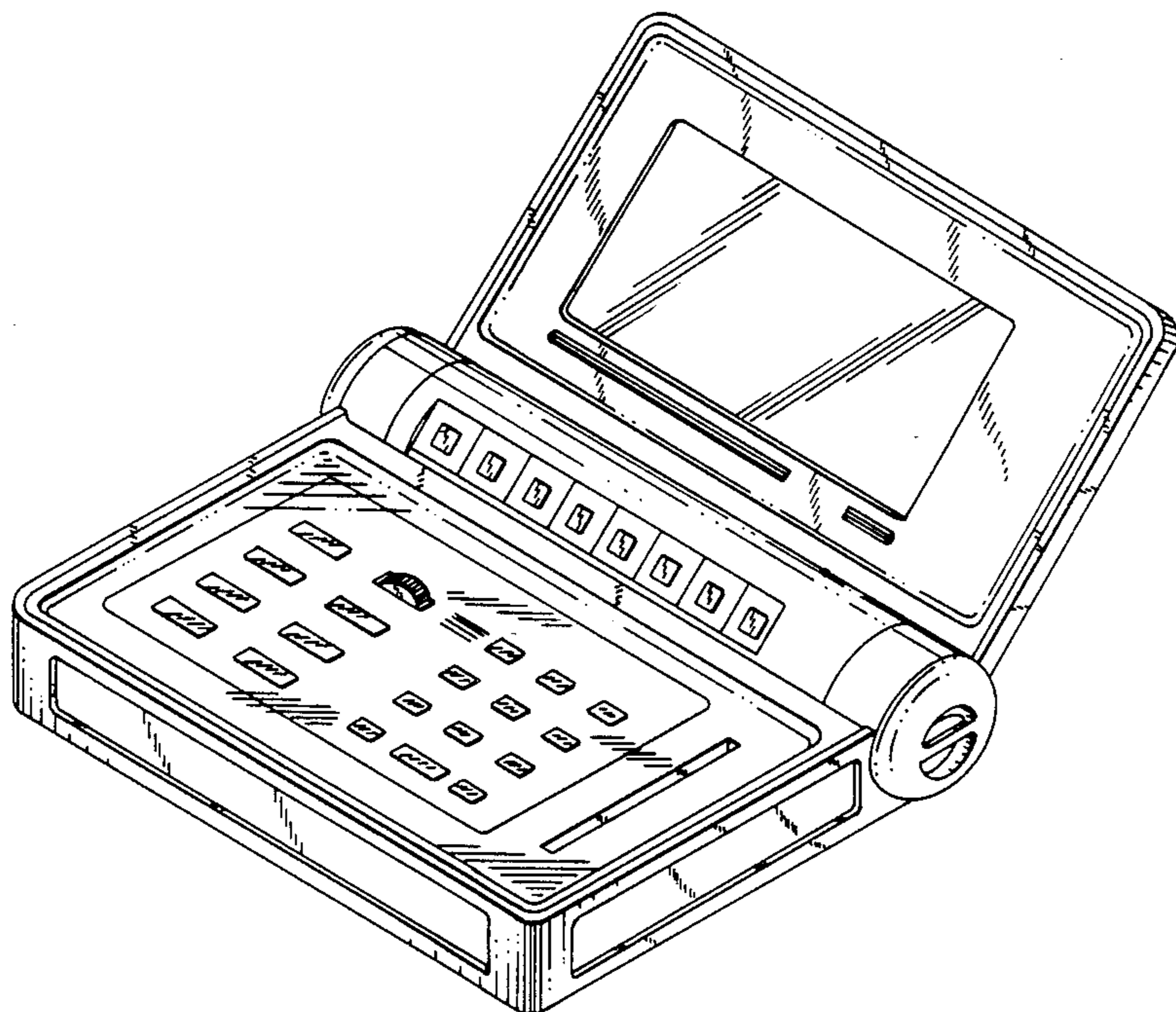


FIG. 1

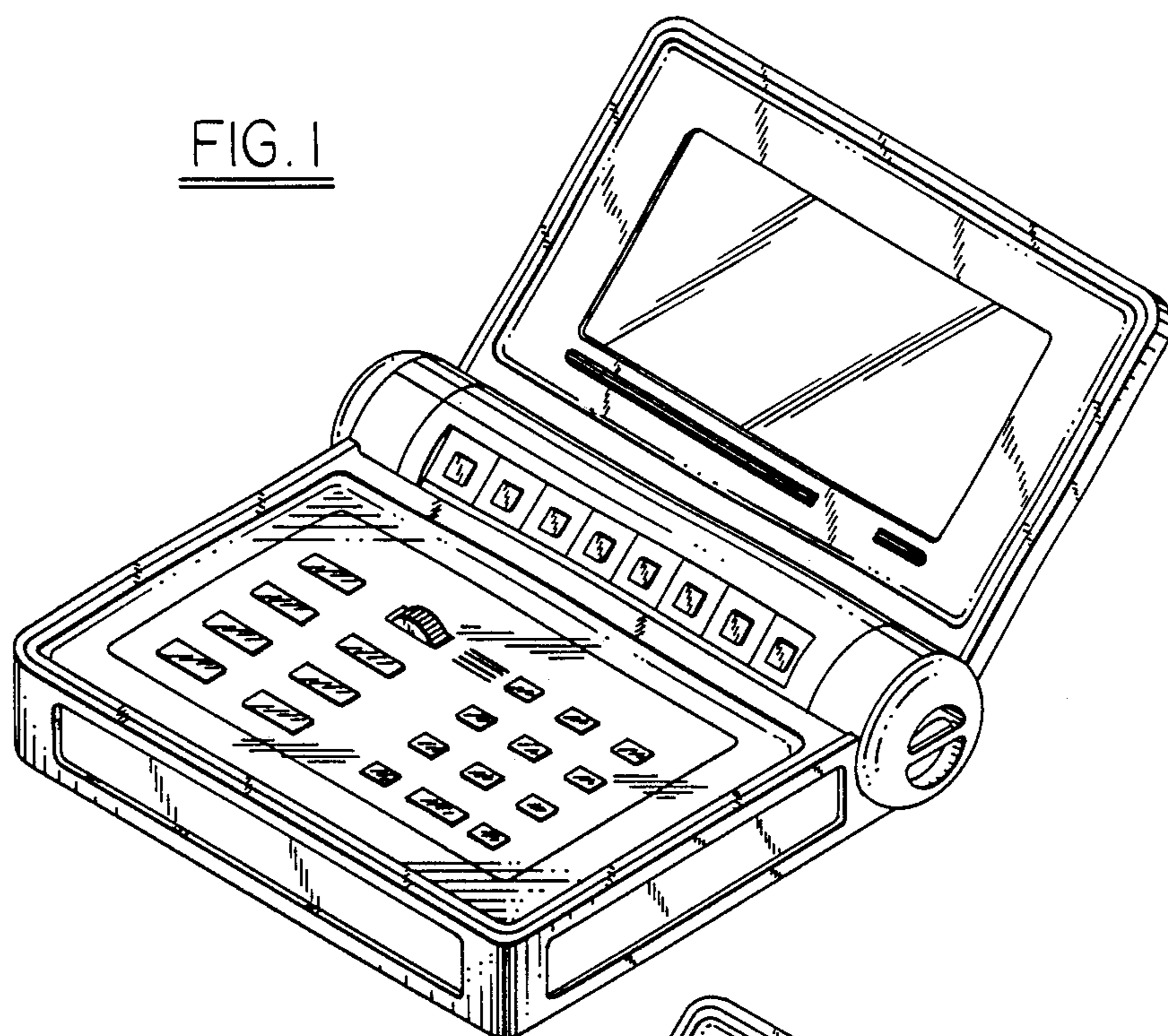


FIG. 10

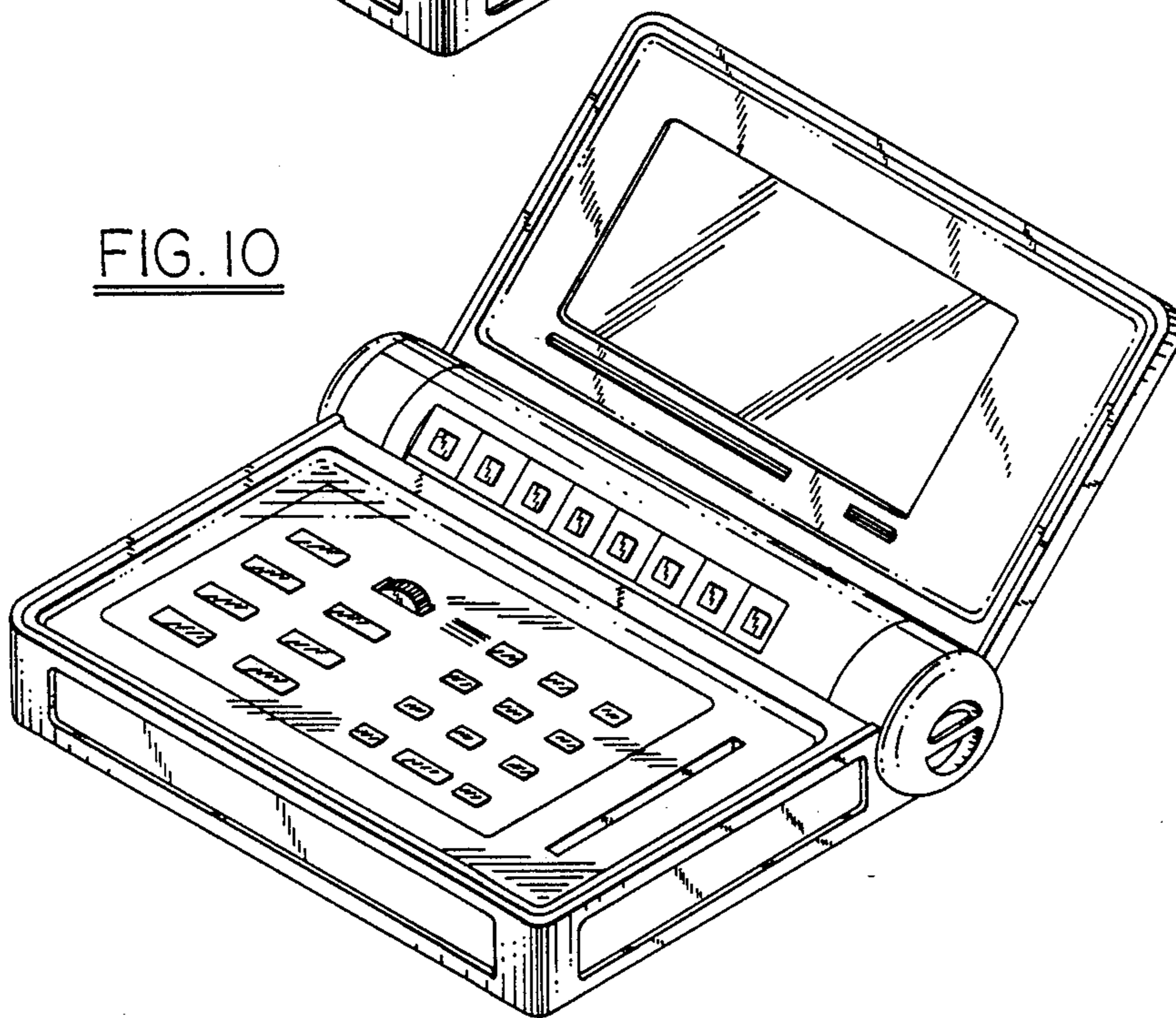




FIG. 2

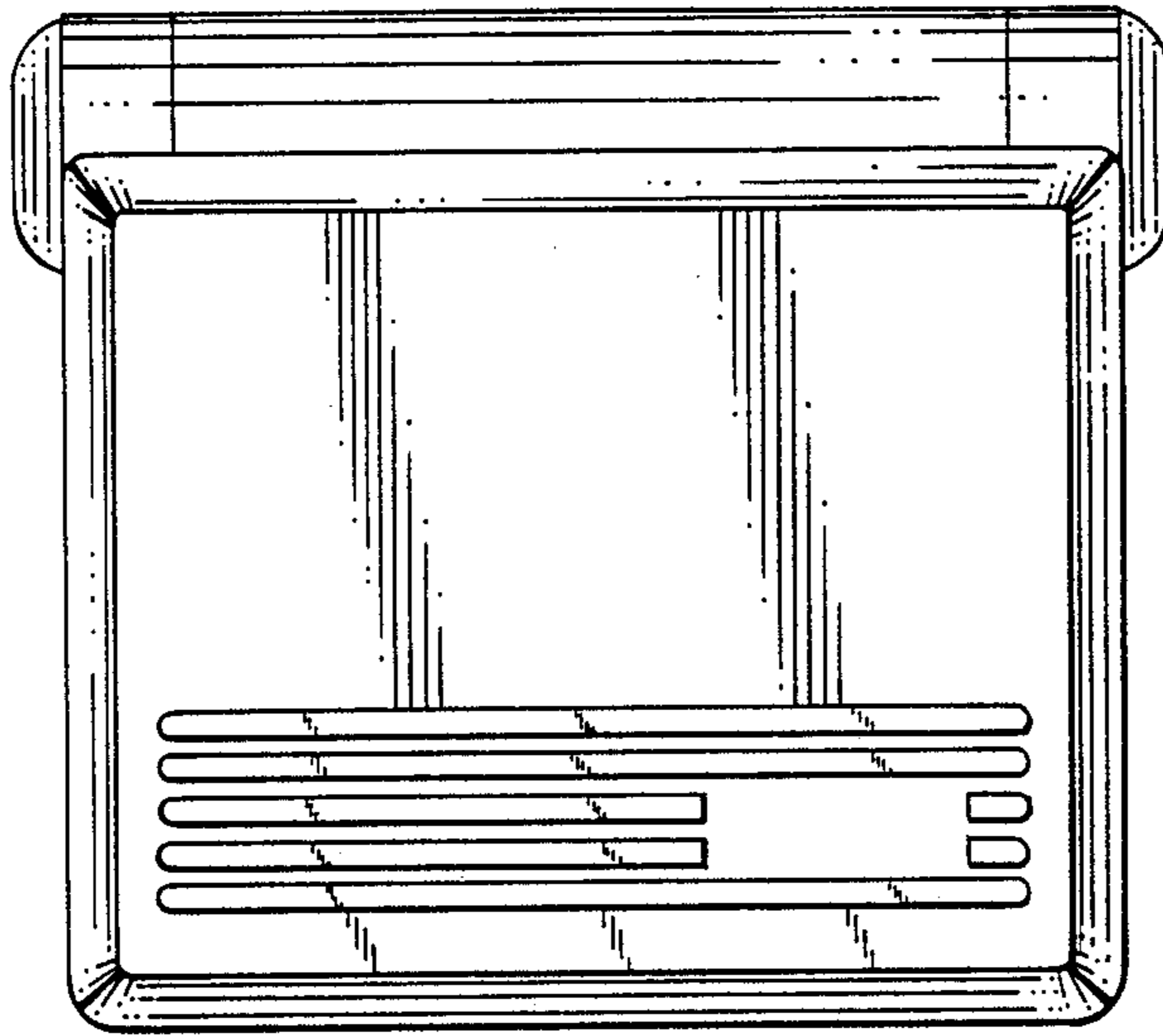


FIG. 3

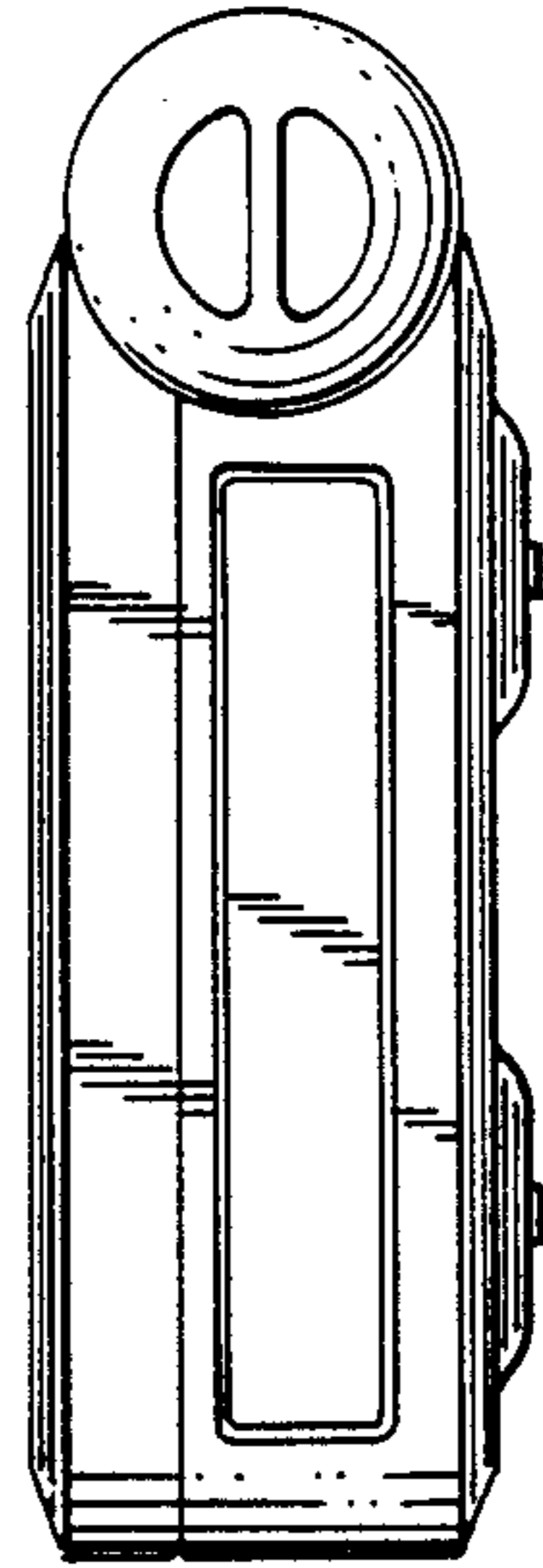


FIG. 4

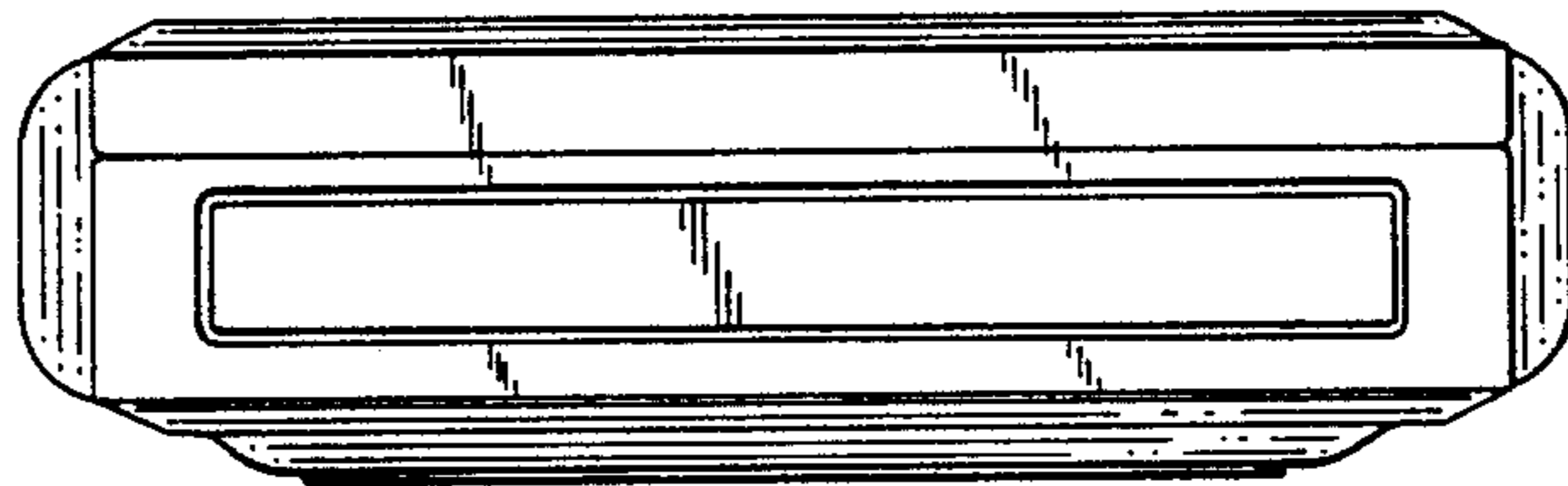


FIG. 5

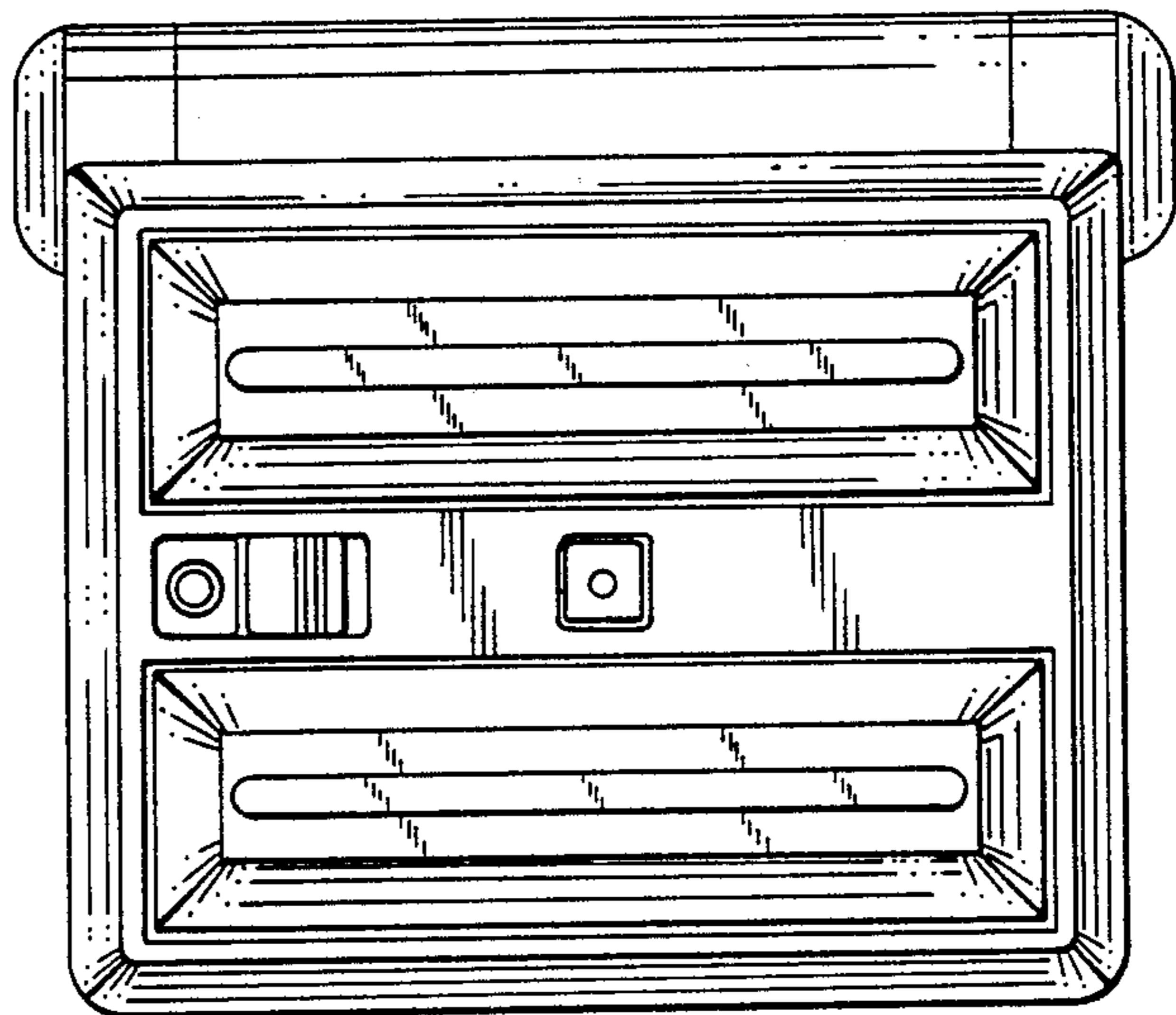


FIG. 6

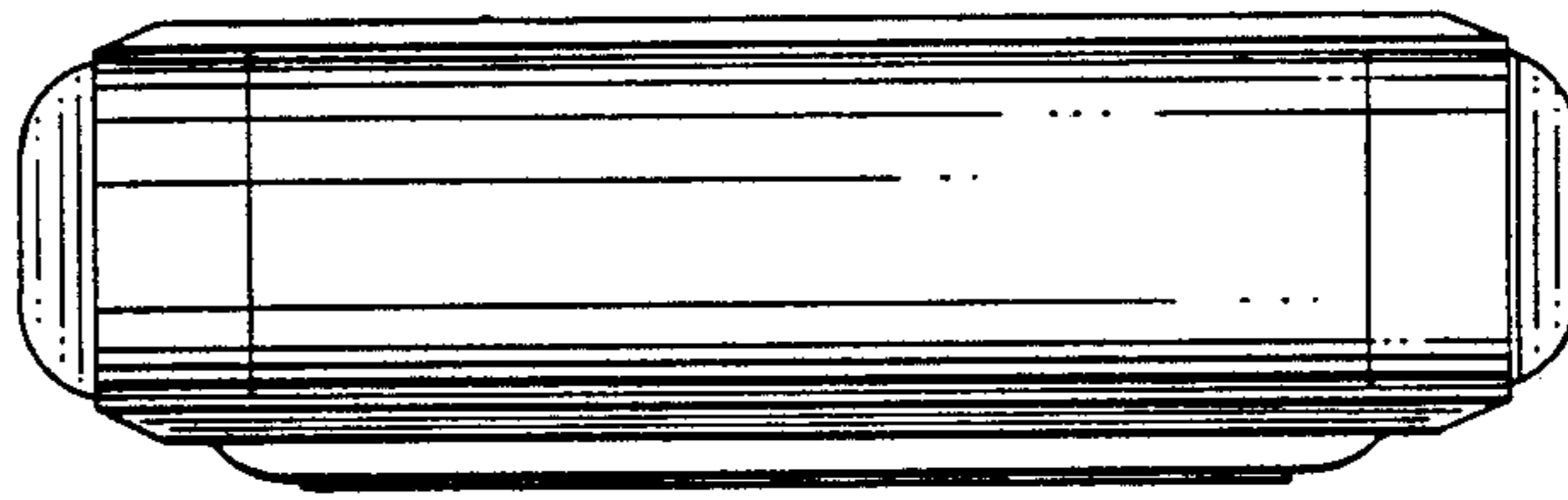


FIG. 8

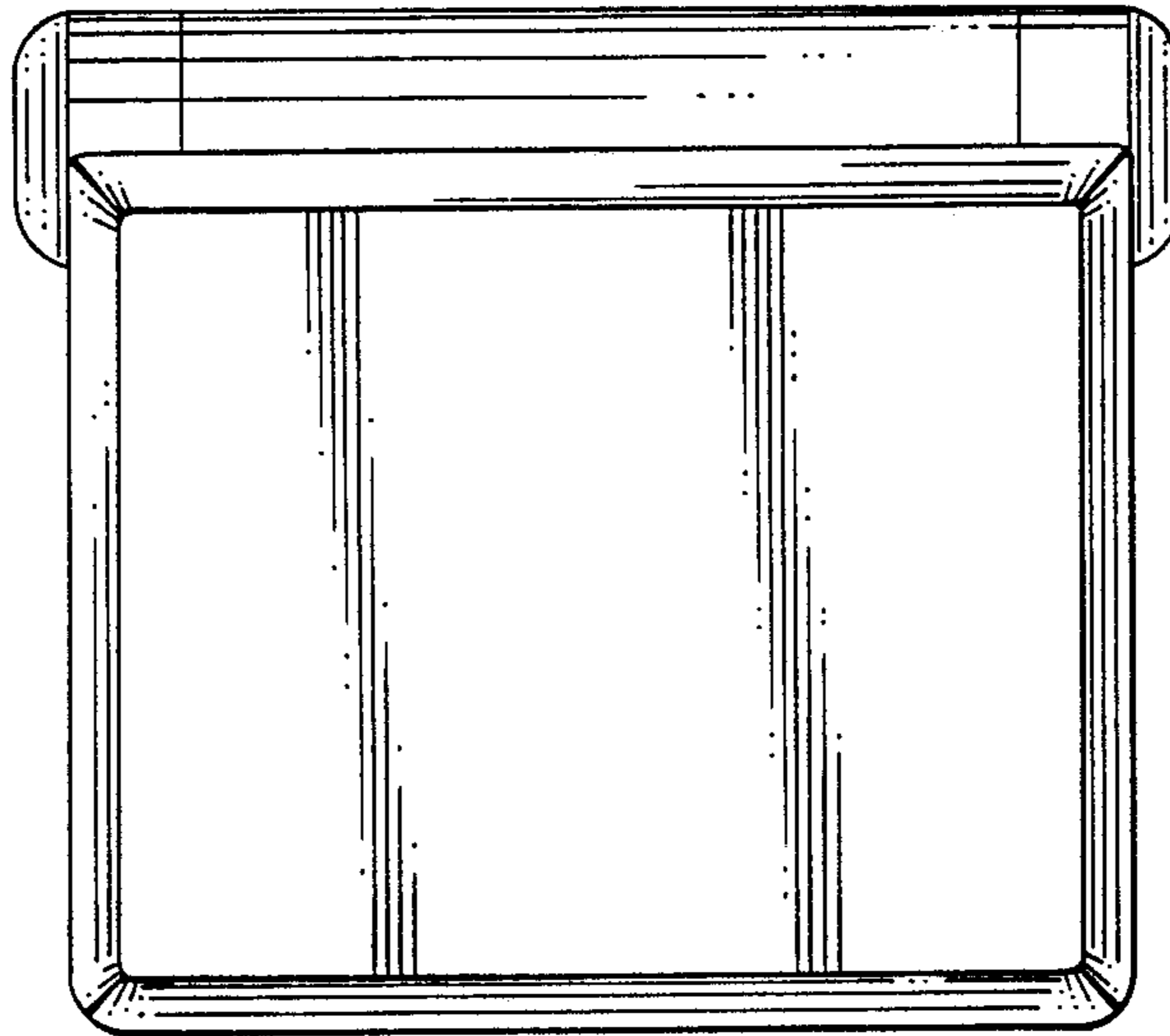


FIG. 7

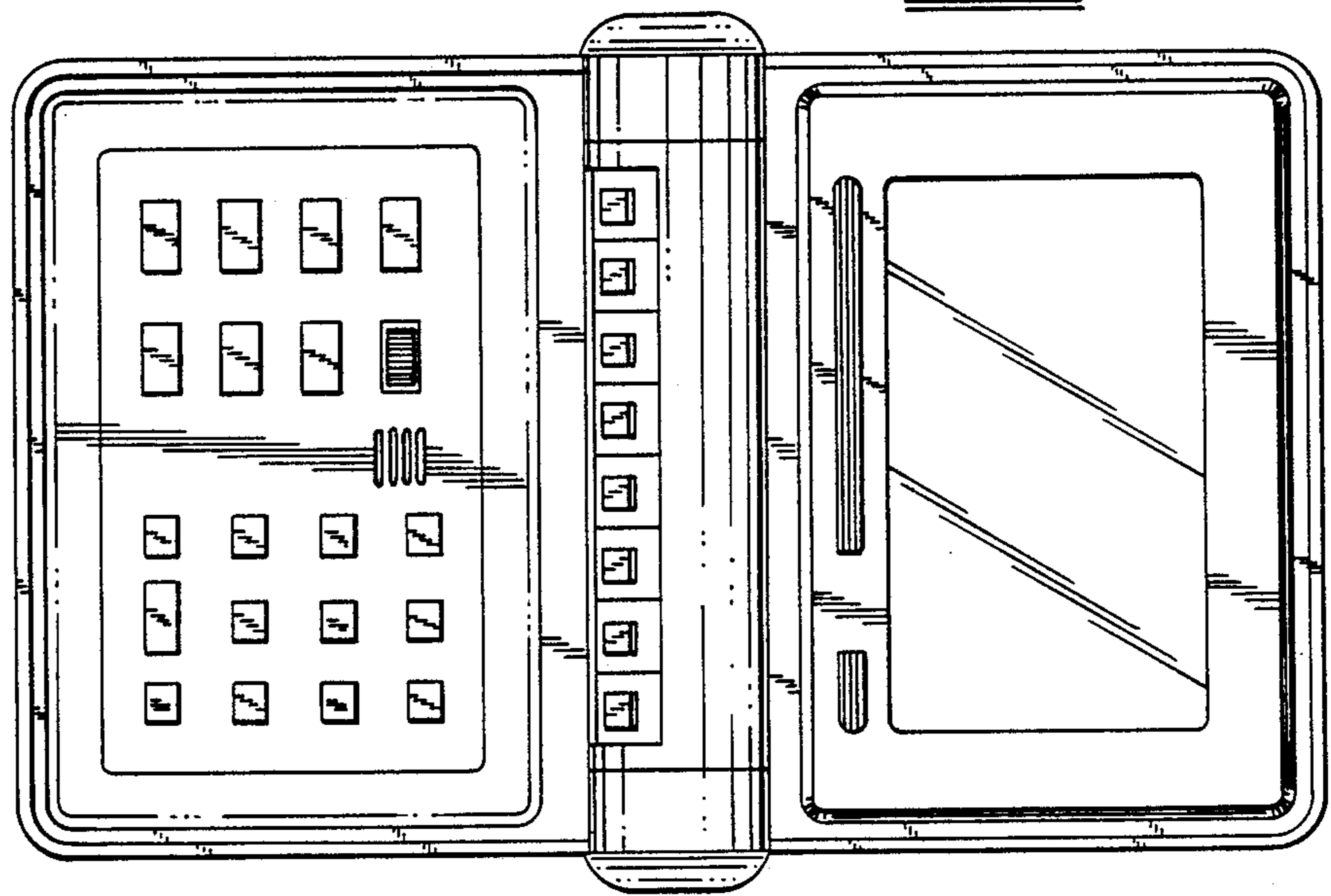


FIG. 9

