

[54] **ELECTRONIC COMPUTER**

[75] **Inventor: Masaaki Iino, Yokohama, Japan**

[73] **Assignee: Kabushiki Kaisha Toshiba, Kanagawa, Japan**

[**] **Term: 14 Years**

[21] **Appl. No.: 254,122**

[22] **Filed: Oct. 6, 1988**

[30] **Foreign Application Priority Data**

Aug. 8, 1988 [JP] Japan 63-31418

[52] **U.S. Cl. D14/106**

[58] **Field of Search D14/100, 101, 106, 113, D14/115; D18/1, 7, 11, 12; 235/145 A, 145 R; 340/700, 706, 711, 712; 341/22, 23; 358/249, 254; 364/706-710; 400/489, 492; 312/7.2, 208**

[56] **References Cited**

U.S. PATENT DOCUMENTS

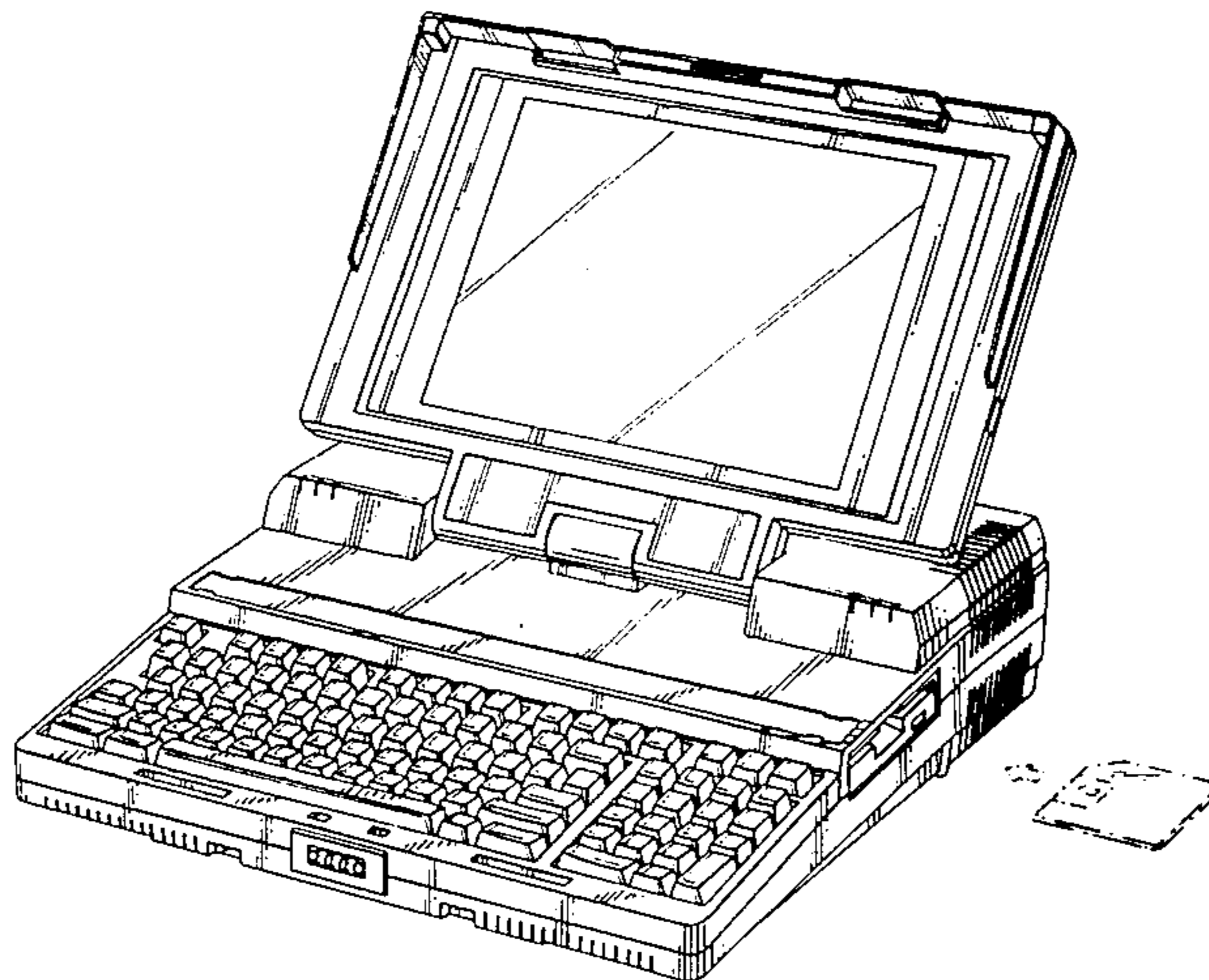
- D. 221,002 6/1971 Bachman .
- D. 222,472 10/1971 Jacobson .
- D. 244,784 7/1972 Sucre et al. .
- D. 247,563 3/1978 Jinbo et al. .
- D. 254,005 1/1980 Zadock et al. .
- D. 258,957 4/1981 Bevilacqua et al. .
- D. 275,102 8/1984 MacConnel D14/106
- D. 280,511 9/1985 Moggridge et al. .
- D. 282,843 3/1986 Kurihara et al. D14/100
- D. 283,511 4/1986 Dunn D14/106
- D. 284,193 6/1986 Marshall D14/101
- D. 284,474 7/1986 Sawada D14/100
- D. 287,969 1/1987 Kusanagi D14/106
- D. 288,566 3/1987 Chin et al. .
- D. 289,177 4/1987 Sawada D18/7
- D. 289,763 5/1987 Fujii et al. D14/106
- D. 290,256 6/1987 Sapper et al. D14/106
- D. 290,845 7/1987 Yubisui et al. D14/111
- D. 291,442 8/1987 Kurihara D14/106
- D. 293,677 1/1988 Hara et al. D14/106
- D. 293,678 1/1988 Sawatani et al. D14/106
- D. 294,029 2/1988 Nishiyama et al. D14/106
- D. 294,831 3/1988 Hara et al. D14/106
- D. 295,176 4/1988 Nishimoto et al. D14/106
- D. 299,031 12/1988 Sugano D14/106
- D. 303,523 9/1989 Shiozawa et al. D14/106

FOREIGN PATENT DOCUMENTS

- 100708 6/1988 China .
- 100709 6/1988 China .
- 101093 7/1988 China .
- 47-14961 5/1972 Japan .
- 499866 4/1979 Japan .
- 590253 12/1982 Japan .
- 599666 4/1983 Japan .
- 650470 5/1985 Japan .
- 664175 10/1985 Japan .
- 85300416 5/1986 Japan .
- 684172 8/1986 Japan .
- 684172 8/1986 Japan .
- 685000 8/1986 Japan .
- 685063 8/1986 Japan .
- 685121 8/1986 Japan .
- 685733 8/1986 Japan .
- 686374 9/1986 Japan .
- 686381 9/1986 Japan .
- 686386 9/1986 Japan .
- 686706 9/1986 Japan .
- 685000 12/1986 Japan .
- 695931 12/1986 Japan .
- 696188 1/1987 Japan .
- 697328 1/1987 Japan .
- 685121 10/1988 Japan .
- 67297 2/1987 Rep. of Korea .
- 85-2546 1/1987 Sweden .
- 85-2547 1/1987 Sweden .

OTHER PUBLICATIONS

- Sharp "Character Display" Article, 05/18/76.
- Fanuc System P-Model, 07/27/83.
- Moebel Interior Design, 01/05/84.
- Micro Office Systems, "Road Runner", 01/31/84.
- Demus 645, 02/22/84.
- Design 423, 05/08/84.
- Epson HC-88, 07/01/84.
- Apple Computer, 10/15/84.
- Tandy 200, 00/00/85.
- General Corporation 4400, 01/14/85.
- Drawing J60007802, 02/26/85.
- Aval TM 20, 03/08/85.
- C & D News, 03/29/85.
- Hewlett-Packard HP110, 04/00/85.
- Sharp PC5000, 04/00/85.
- Toshiba T1100 Plus, 07/22/85.



- Minato Electronics MODS-5000, 08/22/85.
 Hewlett-Packard Portable Plus, 12/00/85.
 Apple IIC, 12/00/85.
 Fuji Line Motor Monitor FLM 700, 01/31/86.
 MRD Advertisement.
 Gavilan Mobile Computer Brochure.
 Hewlett-Packard Advertisement.
 Hewlett-Packard Advertisement.
 Hitachi Advertisement.
 Sharp PC-5000 Brochure.
 Data General One Advertisement.
 IS-11c Advertisement.
 Fujitsu Computer Advertisement, 11/00/84.
 IBM Advertisement.
 AVAL TM Advertisement, 02/11/85.
 NEC Starlet PC-8401A Brochure.
 FBS Advertisement.
 IBM Advertisement.
 PC-816F Advertisement.
 Zenith Data Systems NEWSDATE Newsletter.
 Tandy 600 Advertisement.
 Ricoh JP70D Brochure.
 Data General One Brochure.
 Article re IBM Portable Personal Computer.
 NEC PC-98LT Advertisement.
 Yaskawa P-t50 Advertisement.
 Yasaka Memocon®-SC GL20 Advertisement.
 TI Advertisement in Telephony.
 Data General One Model 2J Brochure.
 Ricoh Mr. Mytool LX Advertisement.
 Hitachi B16LX Brochure.
 Ricoh Brochure.
 Sony Product 100 Brochure.
 Panasonic FW-U1EX Advertisement.
 NEC Minitel 5 Advertisement.
 IBM 5540/5535 Brochure.
 NEC PC-9800 Advertisement.
 Panasonic U1EX Advertisement.
 Panasonic U1Pro.
 Sanyo MBC 14 16LT Personal Computer Advertisement
 Diagnostic Products Review, 01/02/88.
 Toshiba E&E News.
 Toshiba JW90FII Rupo Brochure.
 Hitachi B16LX Brochure.
 Sony Produce PJ-100EX Brochure.
 WS Japanese Advertisement.
 Portable Computer Review, p. 32.
 GridCase 1530 Advertisement.
 Sharp PC α 5000 Brochure.
 Japanese Advertisement.
 NEC PC-9801 LV 21 Brochure.
 NEC MultiSpeed EL Model 2 Brochure.
 Panafacom C-250 LT Brochure.
 Sony Produce 100EX Advertisement.
 Panasonic Panacom 6000 LT Brochure.
 NEC Mini 5 Carryword Brochure.
 Ricoh JP90LX Brochure.
 NEC Mini 5 HL Brochure.
 NEC PC-98 LT Brochure.
 Visual Computer Brochure.
 Gavilan Mobile Computer Brochure.
 Olivetti Personal Computer M15 Brochure.
 Epson HC-88, HC80 Brochure.
 Epson PX-8 Personal Computer Brochure.
 Mitsubishi mp286L Laptop Personal Computer Brochure.
 Grid Brochure.
 Dauphin Laptop Computer Brochure.
 MicroDIRECT Brochure.
 SupersPort Brochure.
 Panasonic KX-D4930 Advertisement.
 Ampere WS-1 Advertisement.
 Tandy 200 Advertisement.
 NEC Starlet PC-8401A Advertisement.
 Nippon Data General, GRID, Schneider, Rein Elektronik & Victor Technologies GmbH.
 "The Dempa Shimbun" (Sep. 12, 1984).
 "The Nihon Keizai Shimbun" (Apr. 18, 1985) Fujitsu.
 "Software Journal" (vol. 1, No. 4) Texas Instruments Pro 14 Lite.
 New York Times-Dec. 23, 1987, p. D-4, NEC Portable Computer.
Primary Examiner—Susan J. Lucas
Assistant Examiner—Freda S. Nunn
Attorney, Agent, or Firm—Banner, Birch, McKie & Beckett
 [57] CLAIM
 The ornamental design for an electronic computer, as shown and described.

DESCRIPTION

FIG. 1 is a top, front, right side perspective view of an electronic computer showing my new design, with floppy disk being shown in broken lines for illustrative purposes only and forming no part of the claimed design;

FIG. 2 is a front elevational view thereof,

FIG. 3 is a top plan view thereof,

FIG. 4 is a left side elevational view thereof,

FIG. 5 is a rear elevational view thereof,

FIG. 6 is a bottom plan view thereof,

FIG. 7 is a top, front, right side perspective view thereof, the display panel being in the closed position;

FIG. 8 is a bottom, front, right side perspective view thereof, the display panel being in the closed position and the carrying handle being extended.

FIG. 1

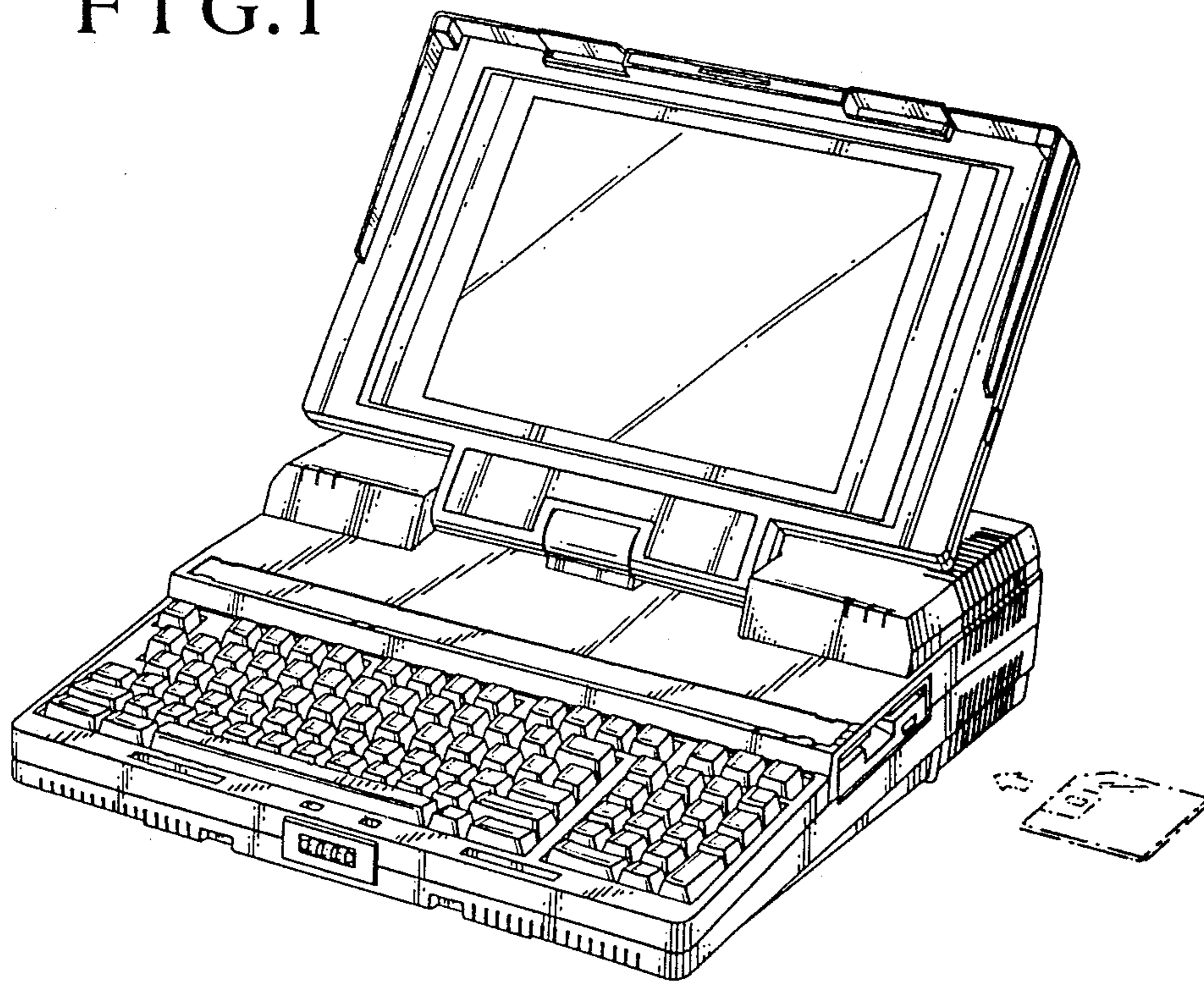


FIG. 2

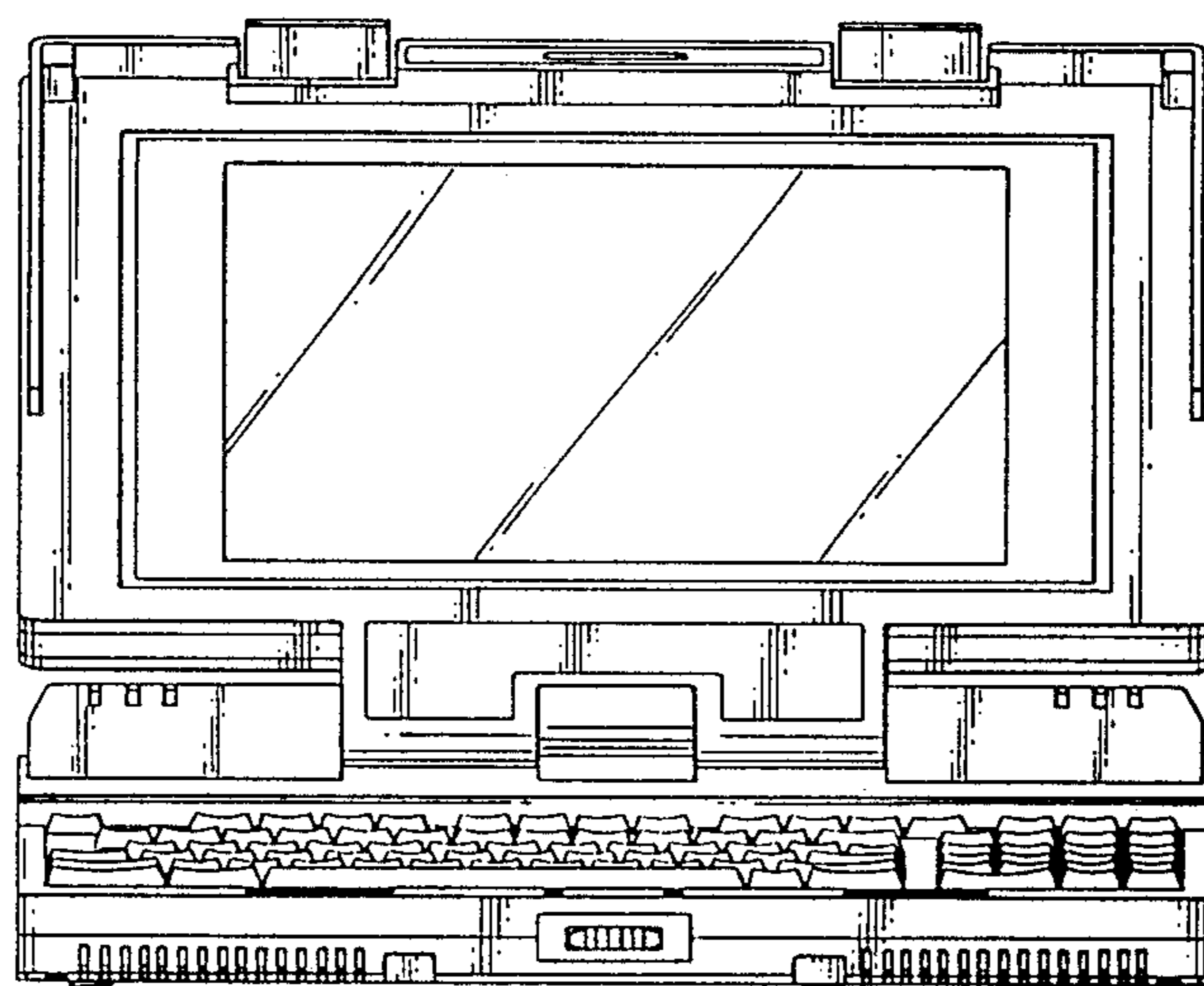


FIG.3

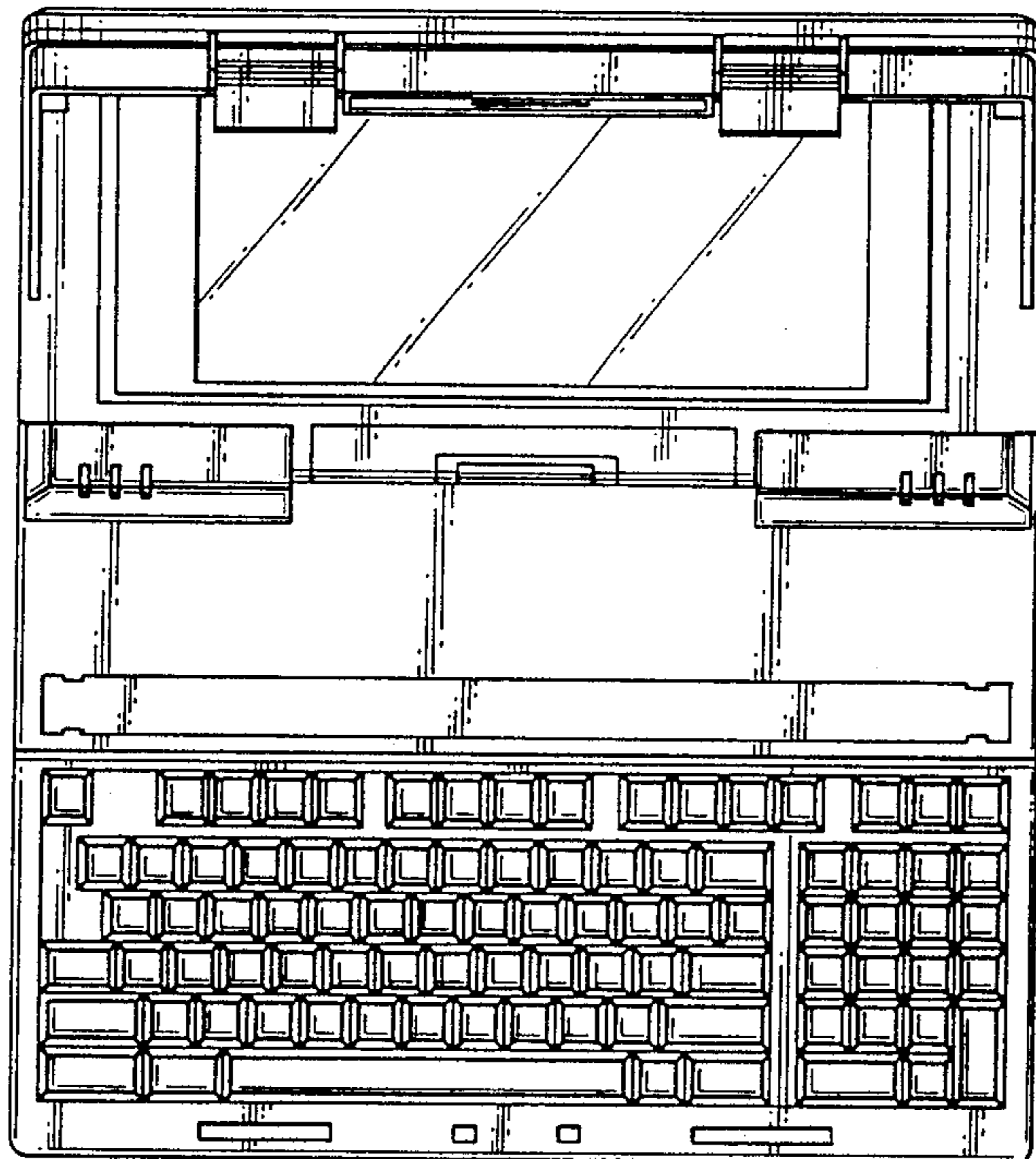


FIG.4

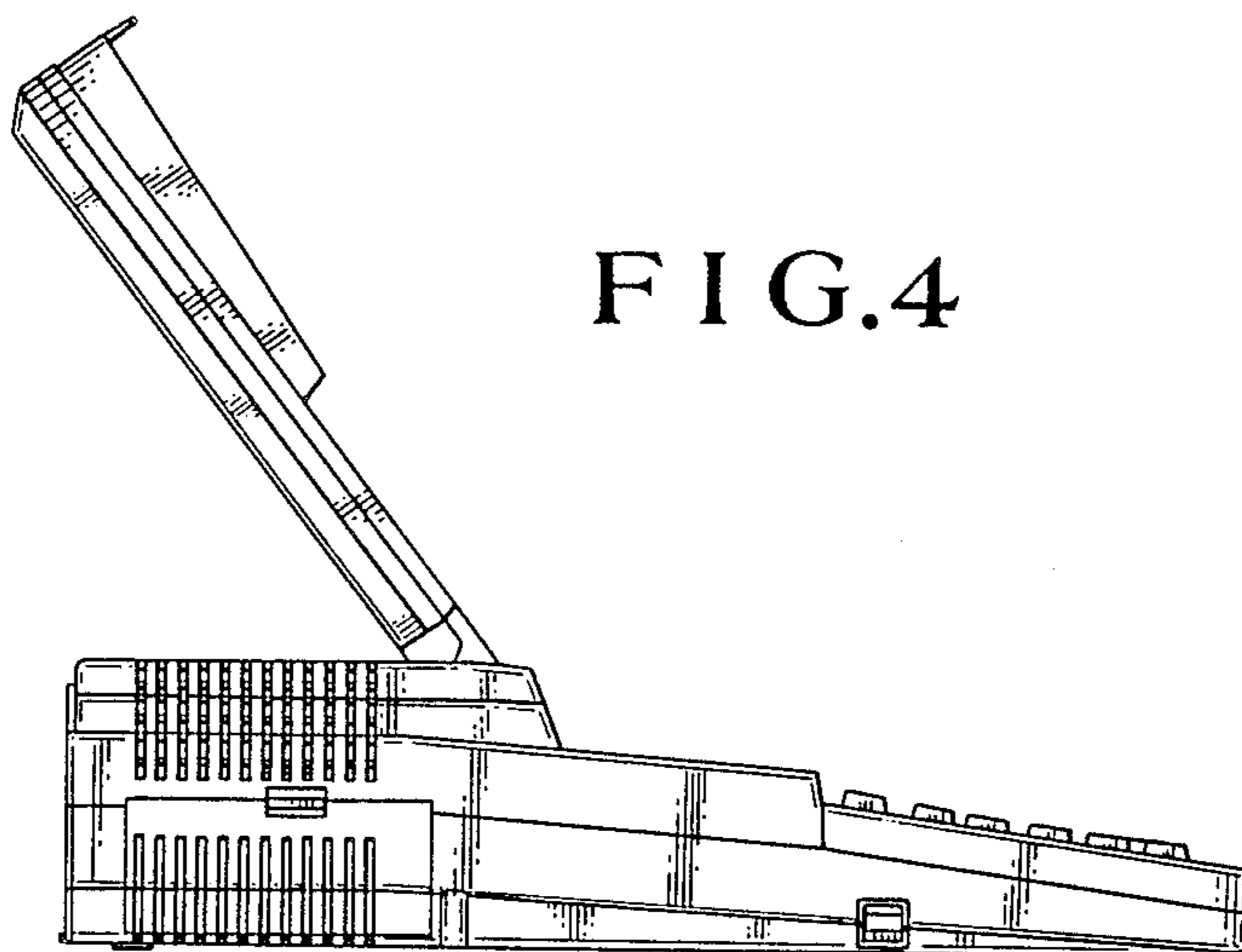


FIG. 5

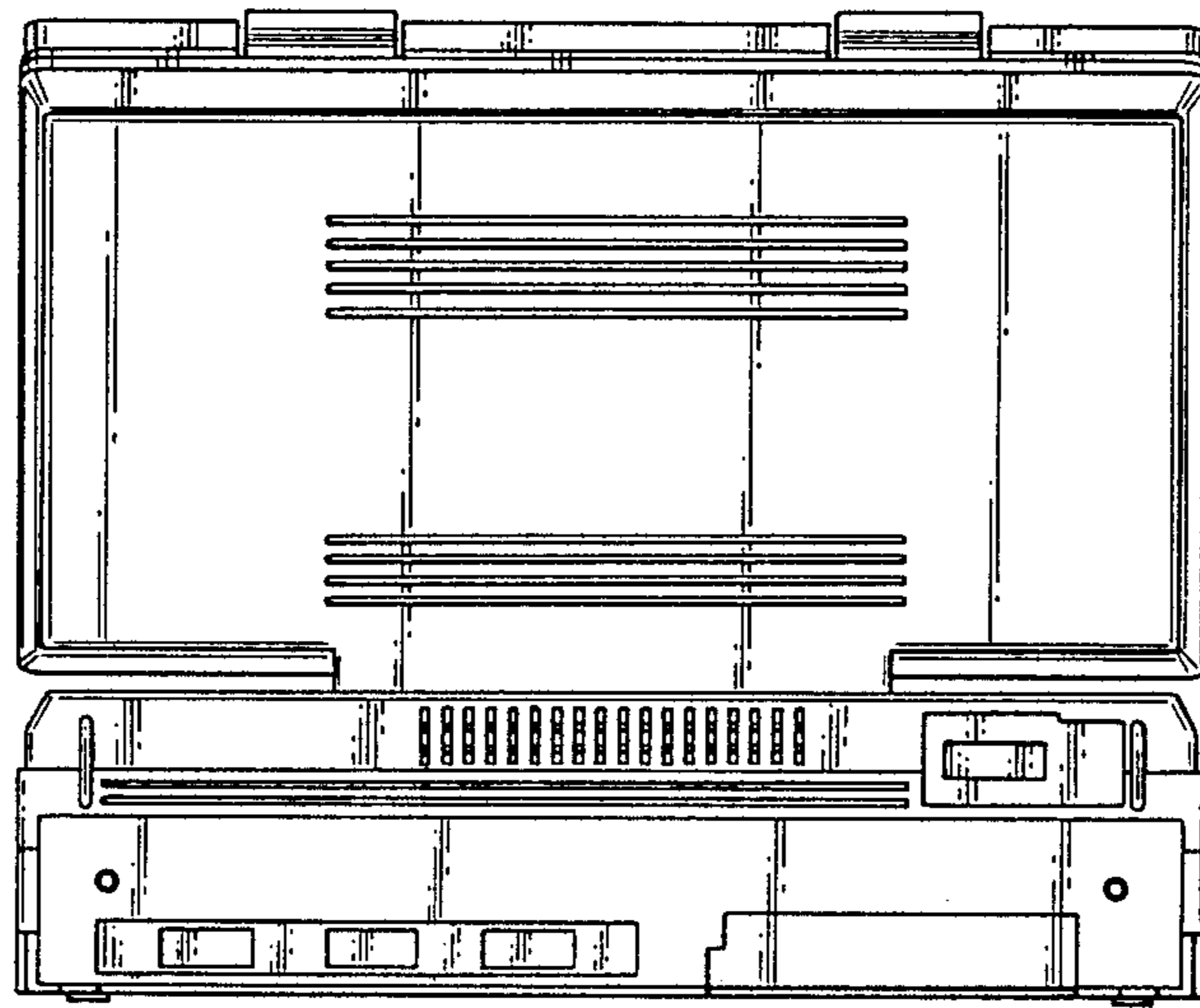


FIG. 6

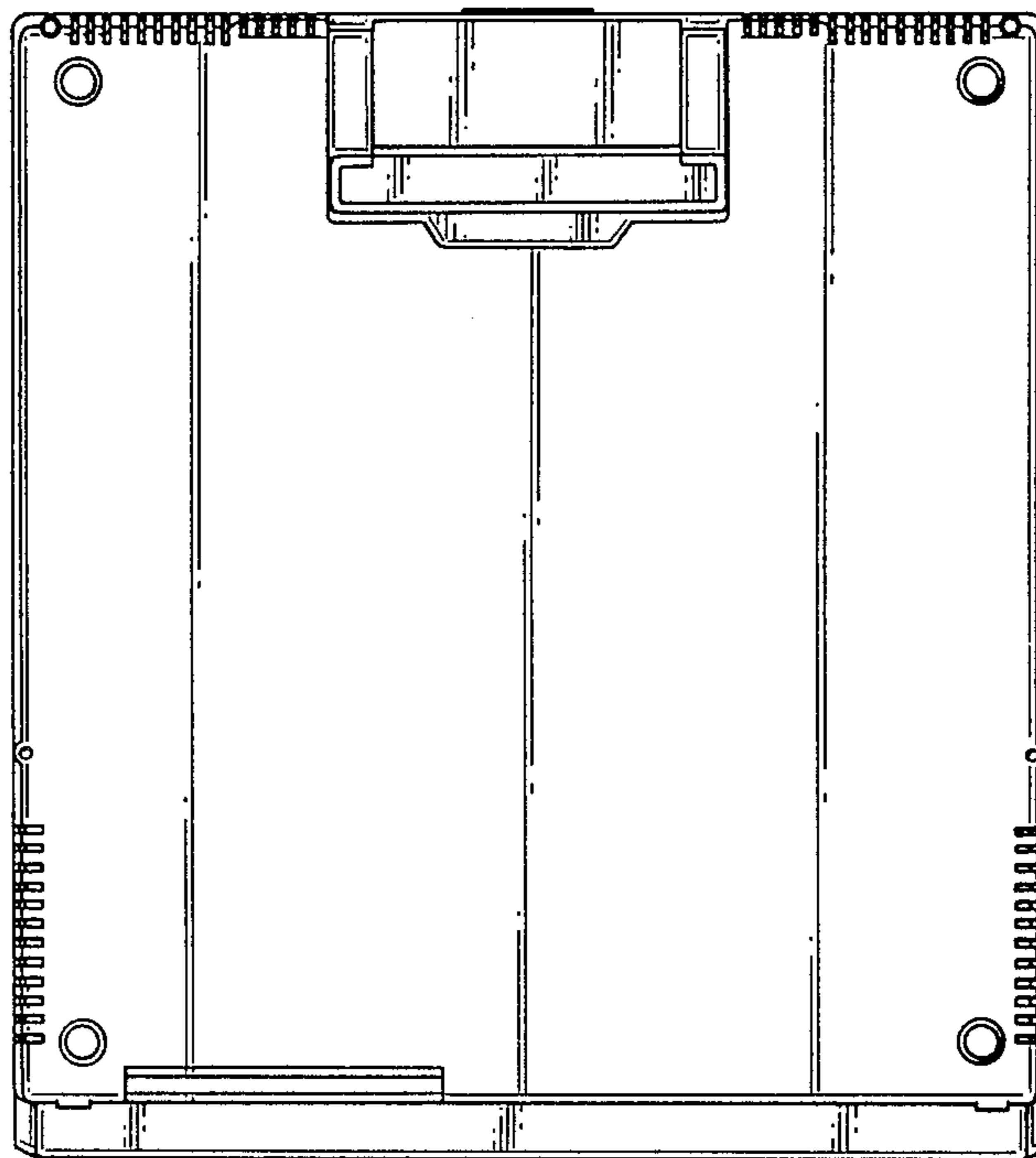


FIG. 7

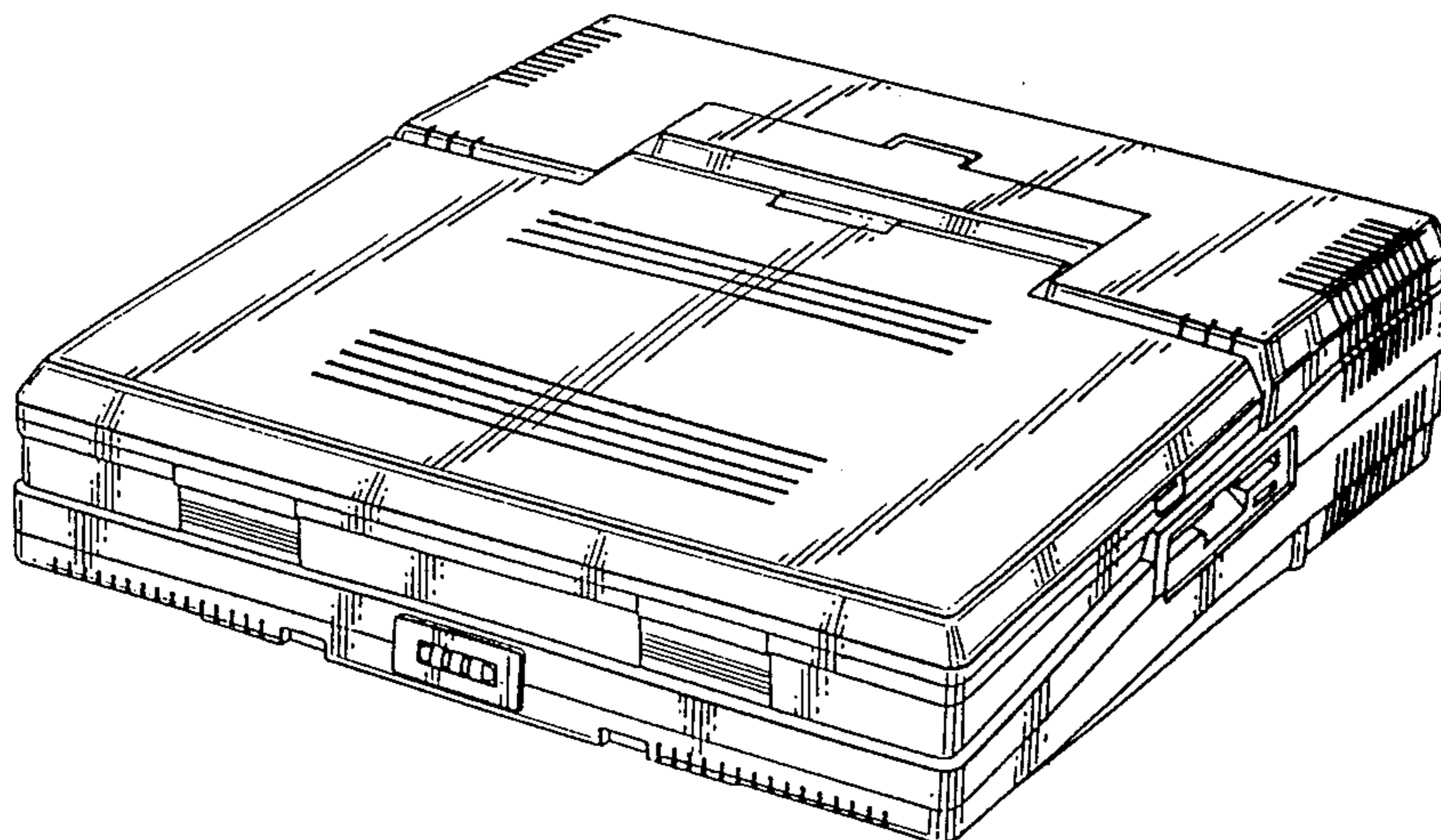


FIG. 8

