

[54] CASH REGISTER

[76] Inventor: Emilio Fabri, Via del Decoratore, 4, 20138, Bologna, Italy

[\*\*] Term: 14 Years

[21] Appl. No.: 177,644

[22] Filed: Apr. 4, 1988

[30] Foreign Application Priority Data

Oct. 12, 1987 [IT] Italy ..... 22519/87[U]

[52] U.S. Cl. .... D14/100; D18/4

[58] Field of Search ..... D18/3, 4, 7; D14/100, D14/105, 106, 113; 235/1 D, 1 E, 2, 4, 7 R, 10, 375, 379, 380, 419; 364/404, 405

[56] References Cited

U.S. PATENT DOCUMENTS

- D. 235,209 5/1975 Baughman ..... D18/7
- D. 235,879 7/1975 Kitai ..... D18/7
- D. 247,522 3/1978 Woithe ..... D18/7

- D. 266,935 11/1982 Del Principe et al. .... D18/7 X
- D. 304,330 10/1989 Biotteau ..... D14/105

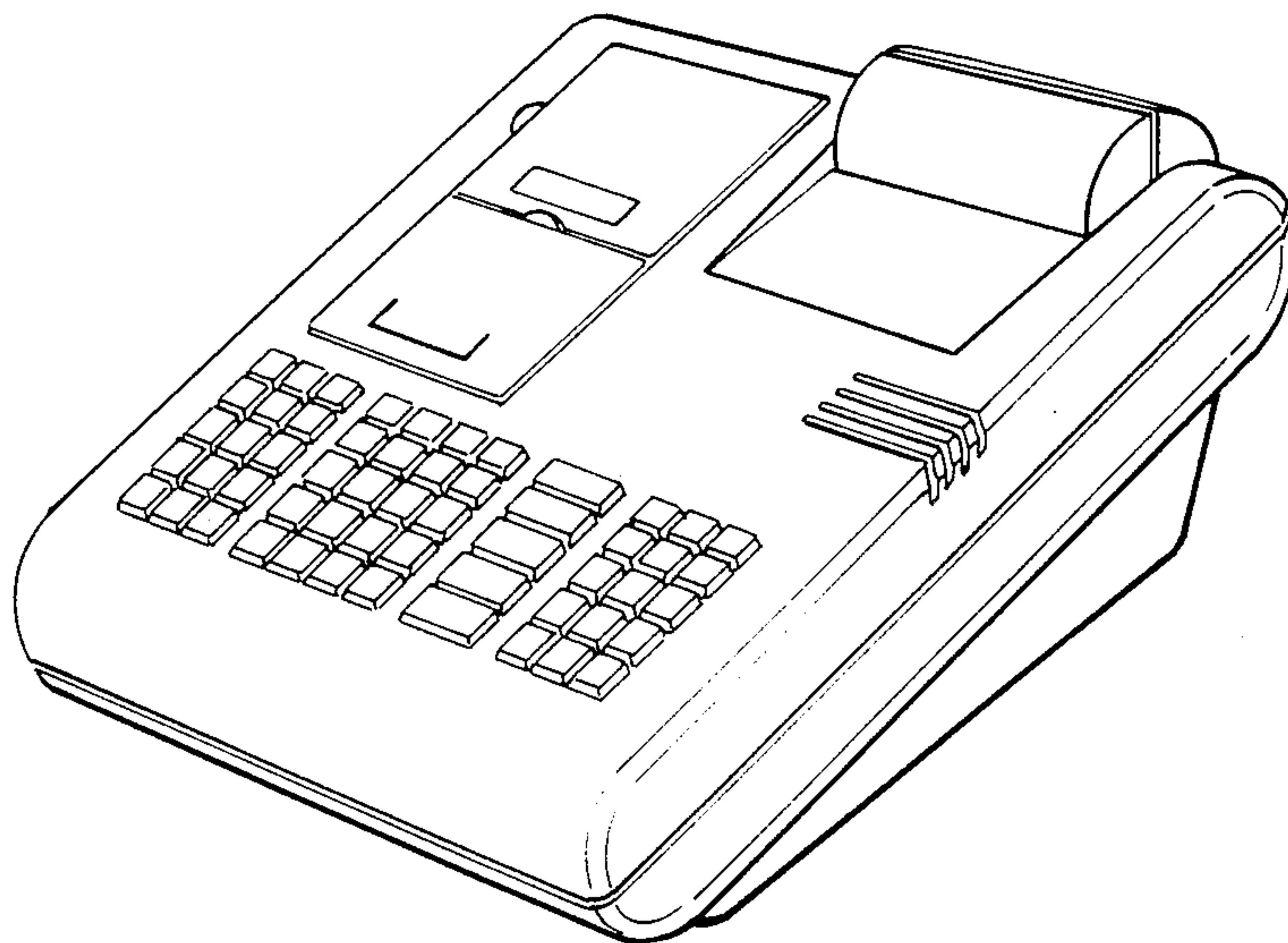
Primary Examiner—Nelson C. Holtje  
Assistant Examiner—Caron D. Veynar  
Attorney, Agent, or Firm—Buckham and Archer

[57] CLAIM

The ornamental design for the cash register, as described and shown.

DESCRIPTION

FIG. 1 is a right, front perspective view of a cash register showing my new design;  
FIG. 2 is a rear elevational view thereof;  
FIG. 3 is a right side elevational view thereof;  
FIG. 4 is a left side elevational view thereof;  
FIG. 5 is a front elevational view thereof;  
FIG. 6 is a top plan view thereof;  
FIG. 7 is a bottom plan view thereof.  
Enclosed herein are three photographs of the cash register.



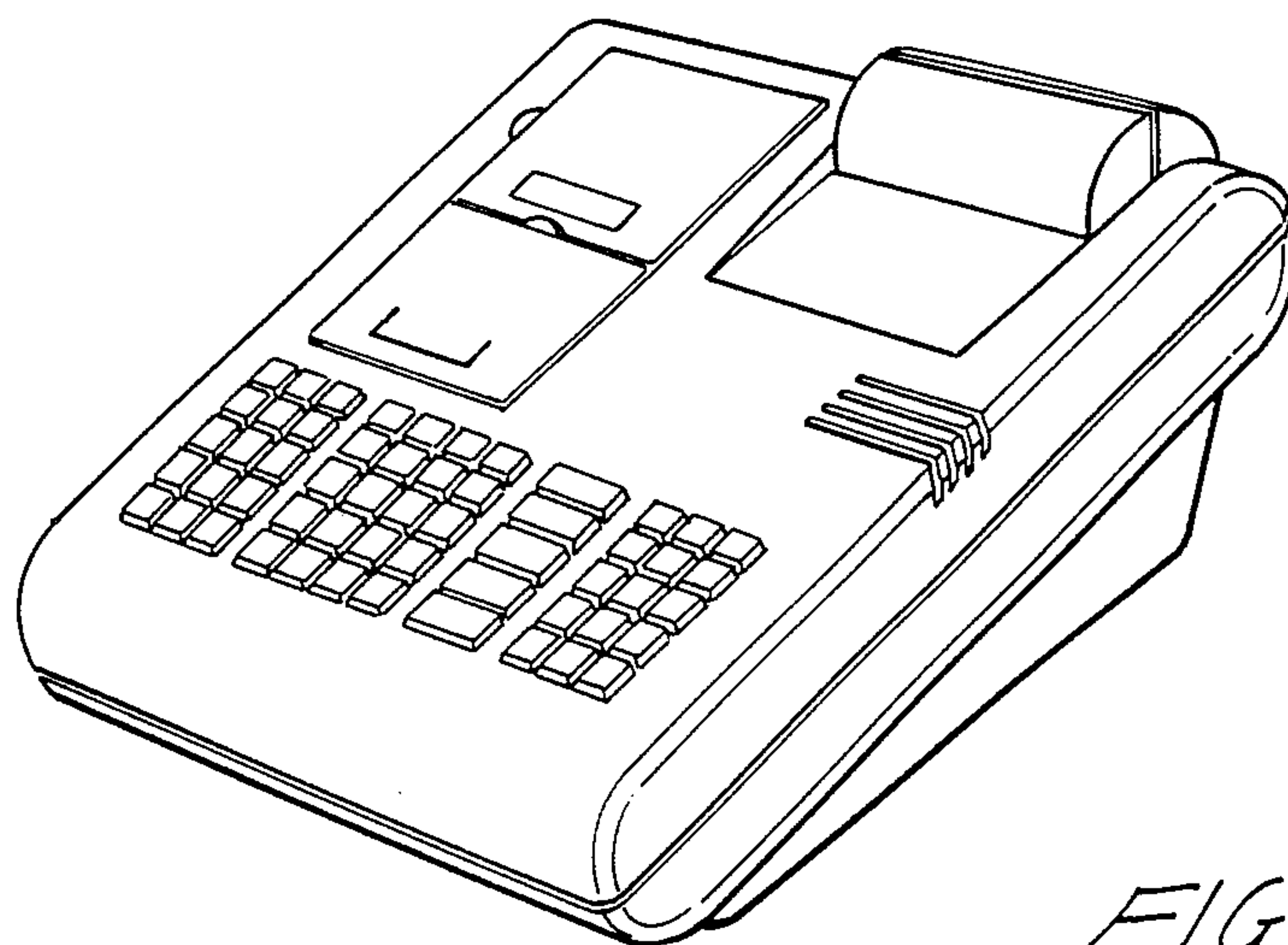


FIG. 1

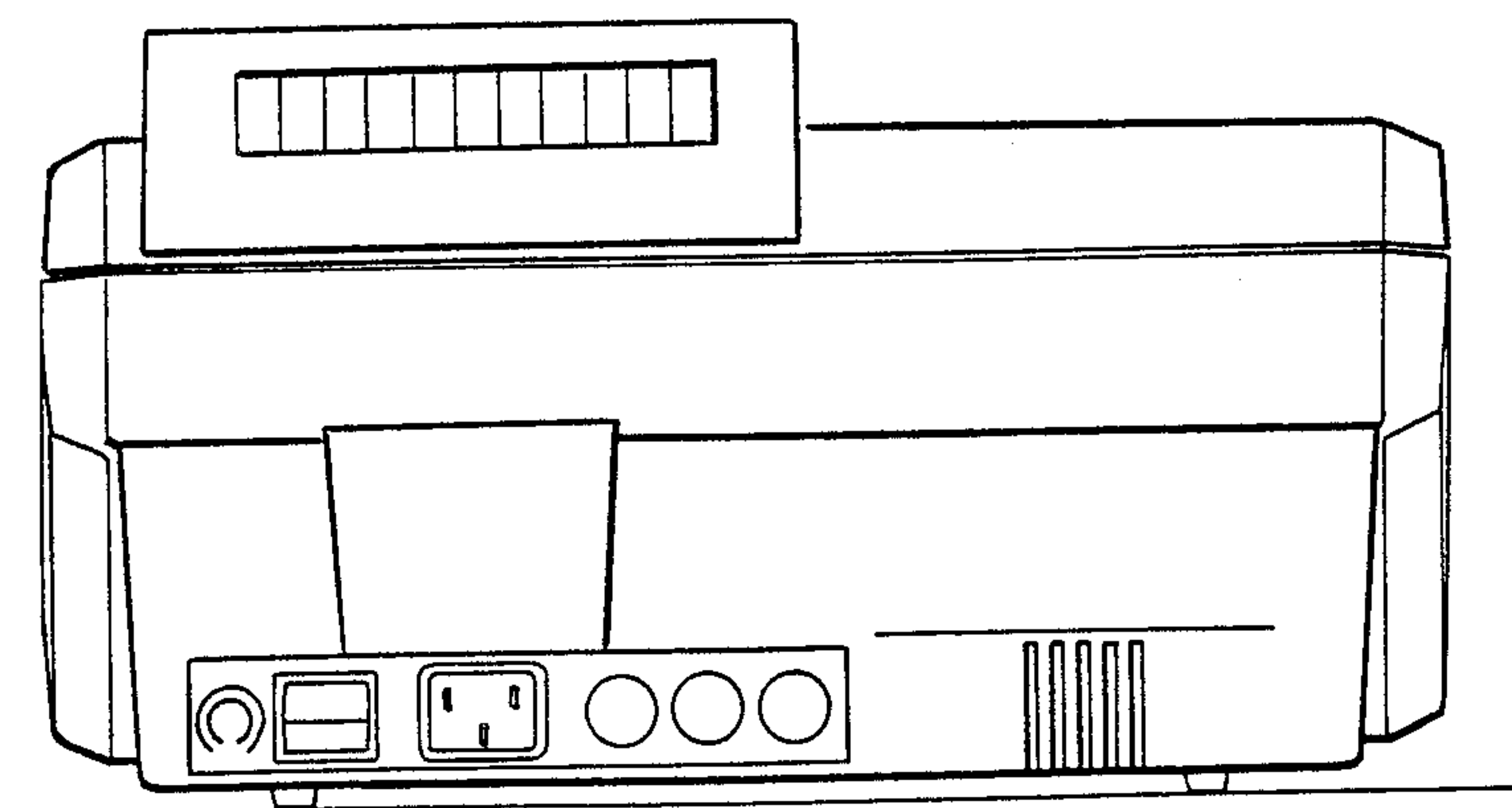


FIG. 2

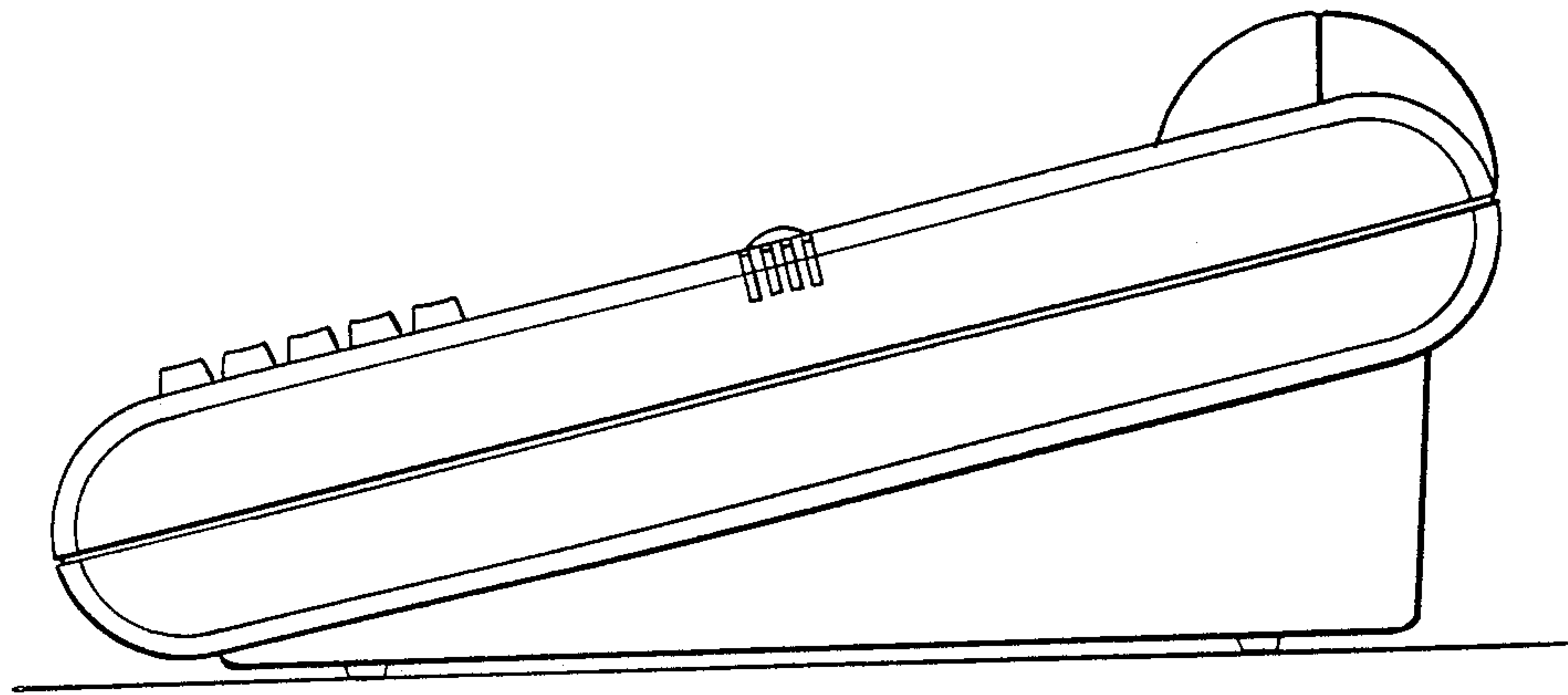


FIG. 3

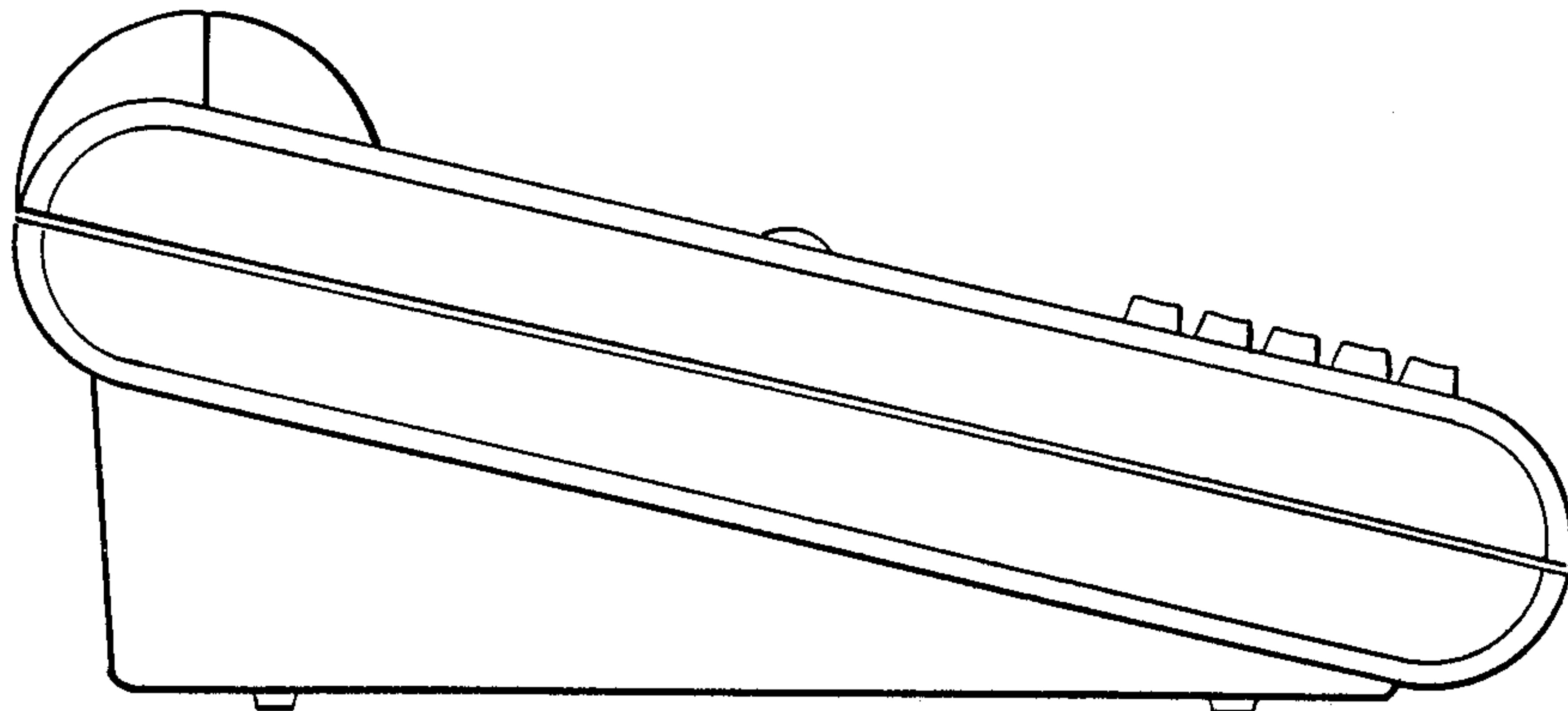


FIG. 4

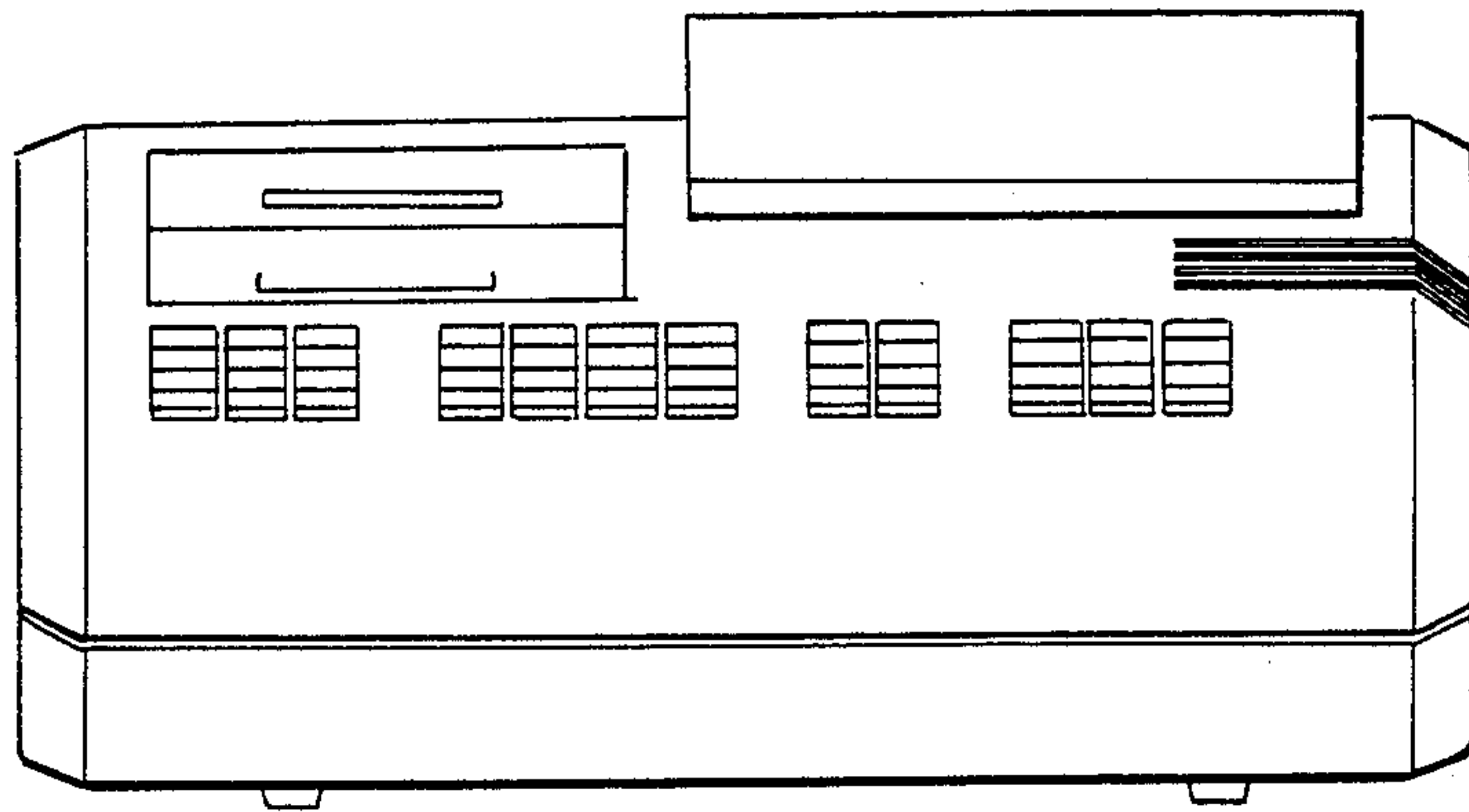


FIG. 5

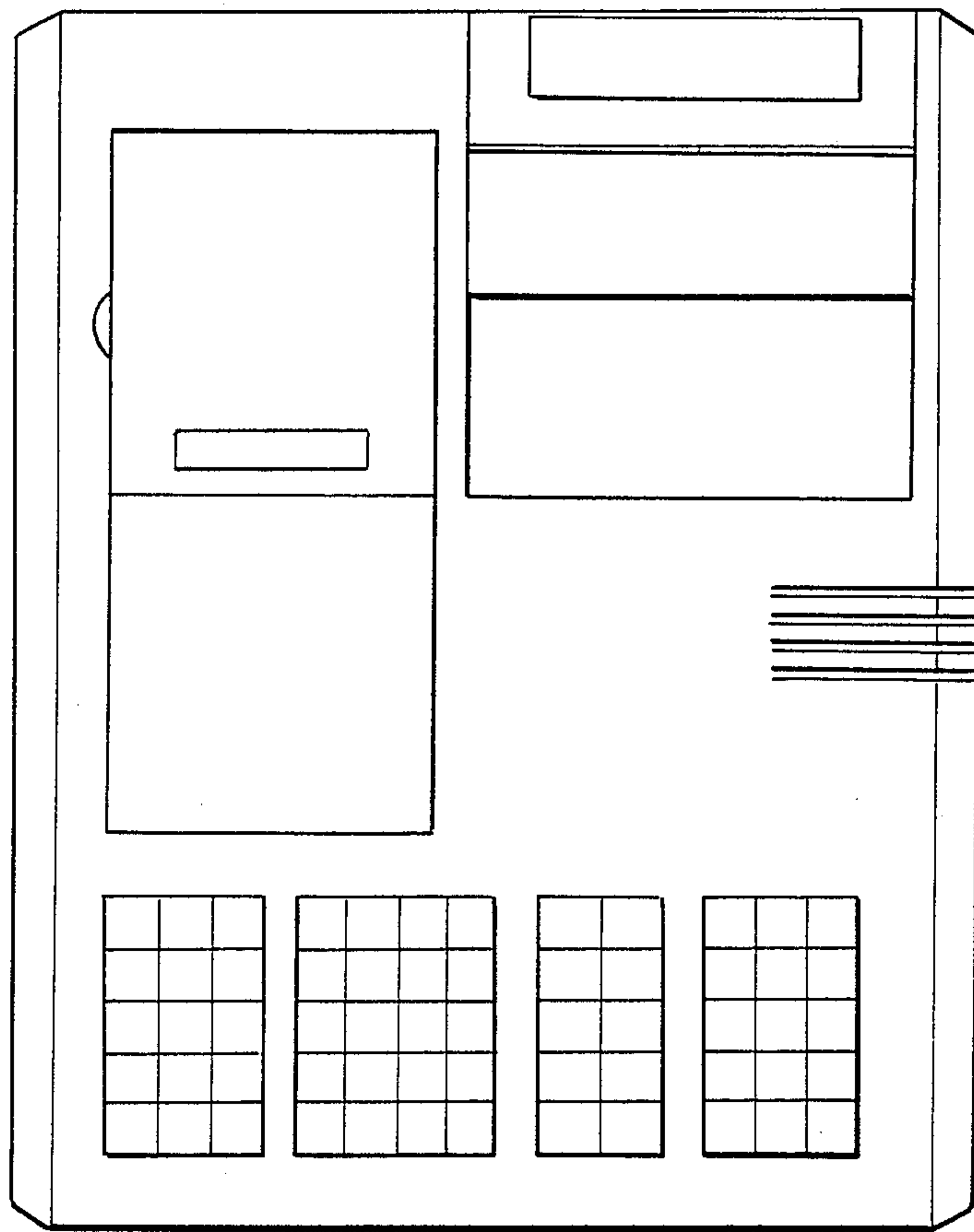
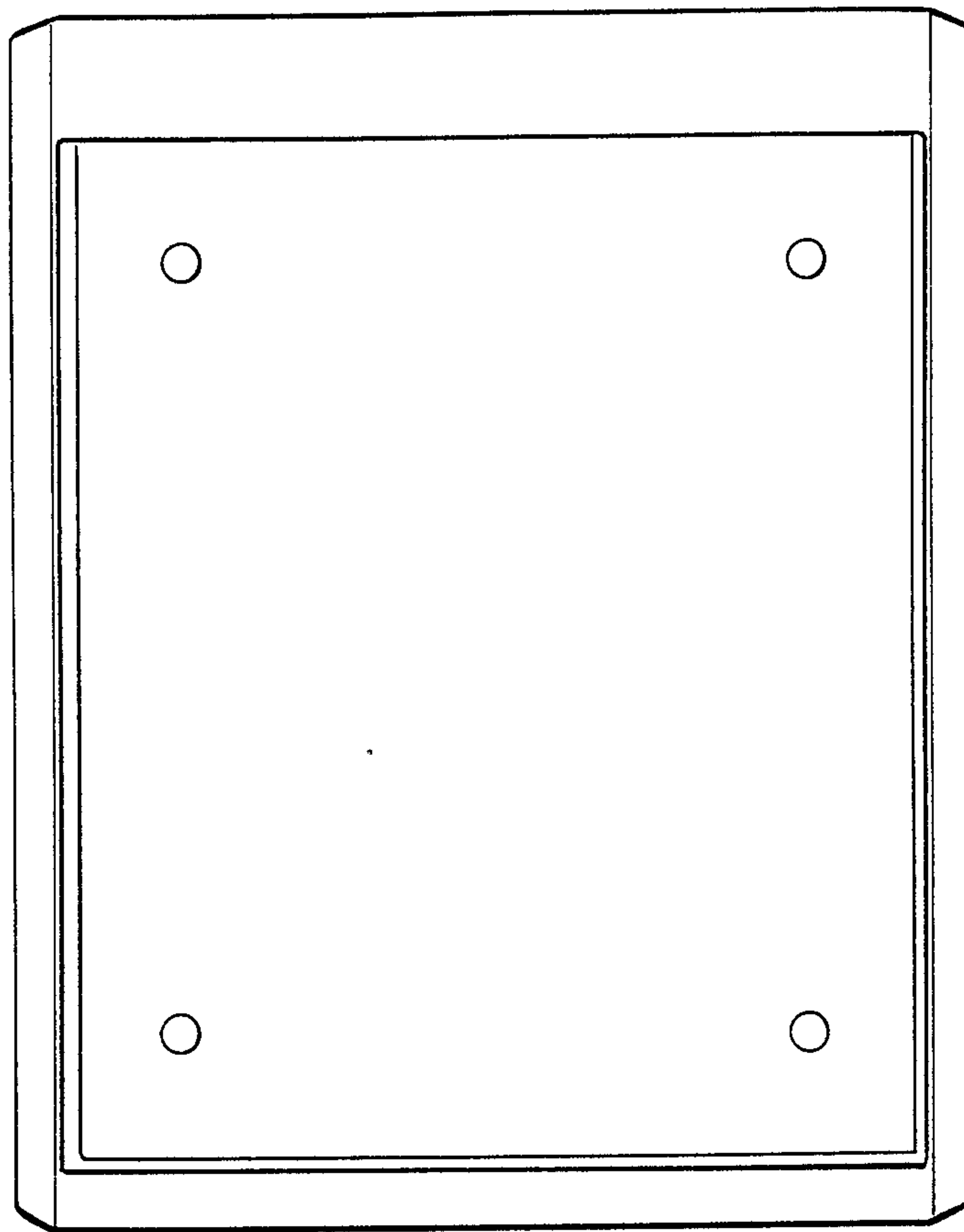


FIG. 6



*FIG. 7*