

[54] COMPUTER

[75] Inventor: Peter S. Macdonald, Reading, Mass.

[73] Assignee: Wang Laboratories, Inc., Lowell, Mass.

[*] Notice: The portion of the term of this patent subsequent to Oct. 16, 2004 has been disclaimed.

[**] Term: 14 Years

[21] Appl. No.: 277,066

[22] Filed: Nov. 28, 1988

[52] U.S. Cl. D14/100

[58] Field of Search D14/100, 107, 109; D13/40, 41; 200/5 A, 5 R, 6 A, 6 R; 360/97-99; 361/390-395, 415, 426

[56] References Cited

U.S. PATENT DOCUMENTS

D. 282,664 2/1986 Aoyama D14/100

D. 289,056 3/1987 Davis et al. D14/100
D. 295,749 5/1988 Kelley, Jr. et al. D14/100
D. 296,696 7/1988 Yokoi et al. D14/100
D. 301,139 5/1989 Sato et al. D14/109 X

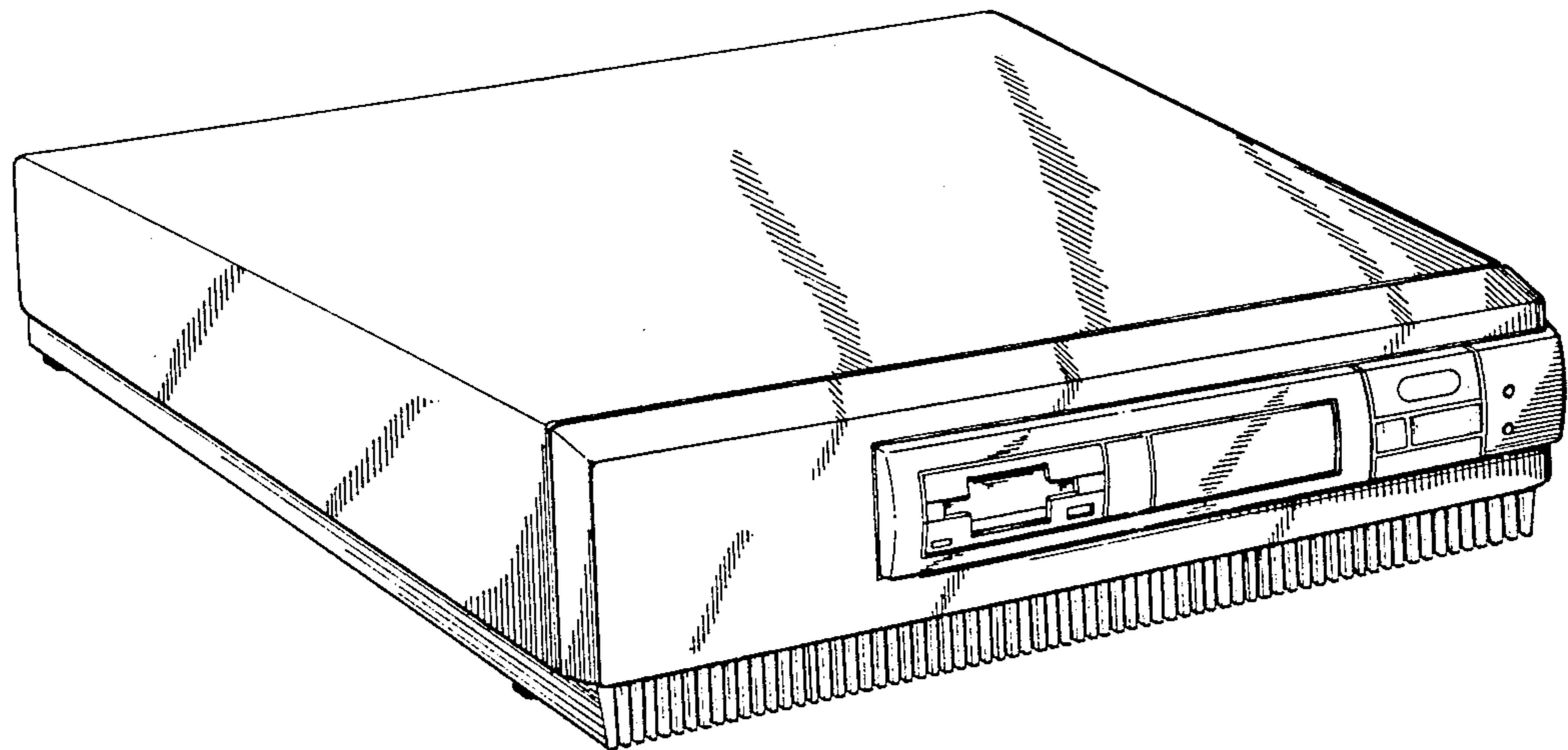
Primary Examiner—Wallace R. Burke
Assistant Examiner—Freda S. Nunn
Attorney, Agent, or Firm—Michael H. Shanahan;
Kenneth L. Milik

[57] CLAIM

The ornamental design for a computer, as shown and described.

DESCRIPTION

FIG. 1 is a front elevational view of a computer showing my new design;
FIG. 2 is a left side elevational view thereof;
FIG. 3 is a right side elevational view thereof;
FIG. 4 is a rear elevational view thereof;
FIG. 5 is a top plan view thereof;
FIG. 6 is a bottom plan view thereof;
FIG. 7 is a top, front, left side perspective view thereof.



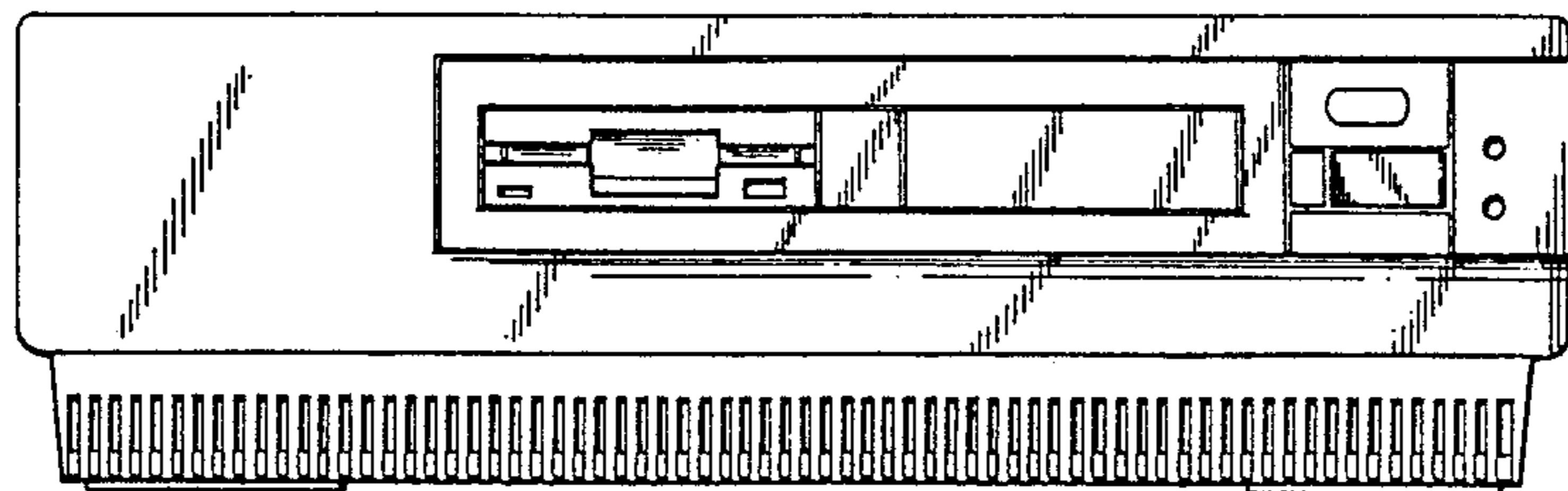


FIG. 1

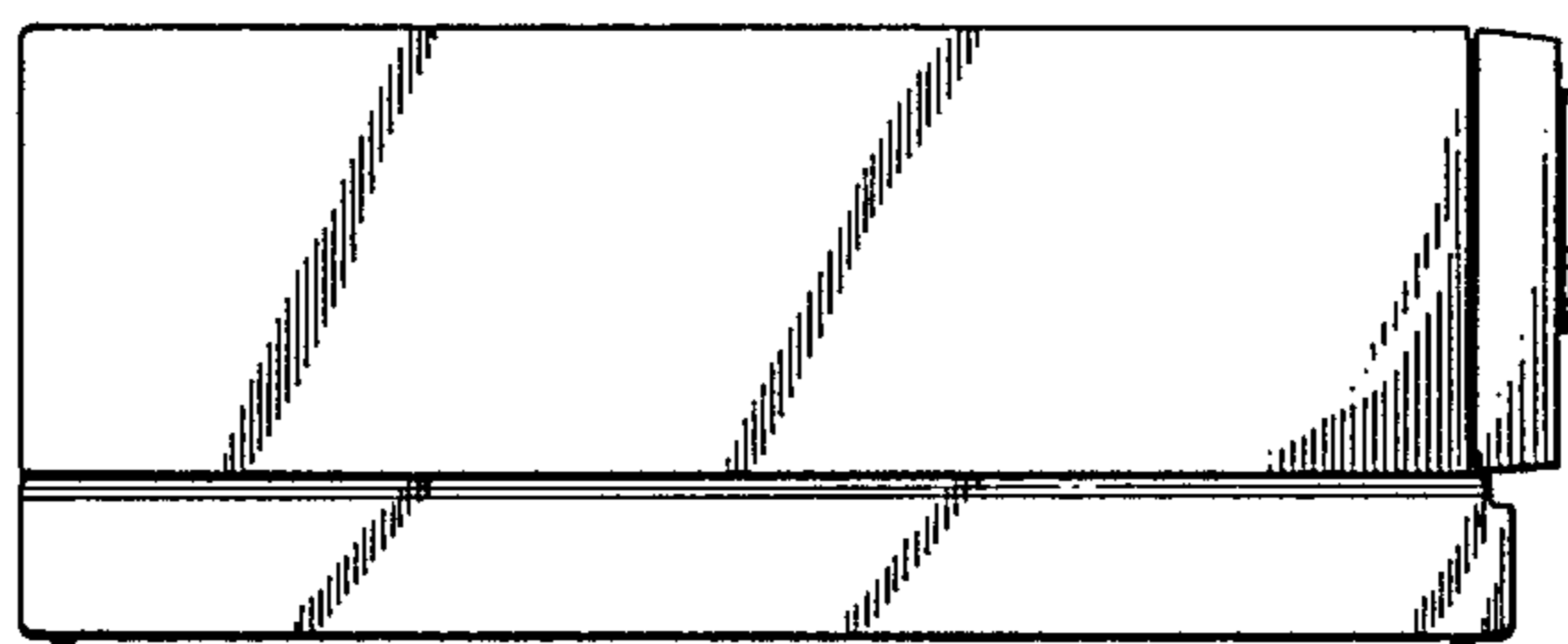


FIG. 2

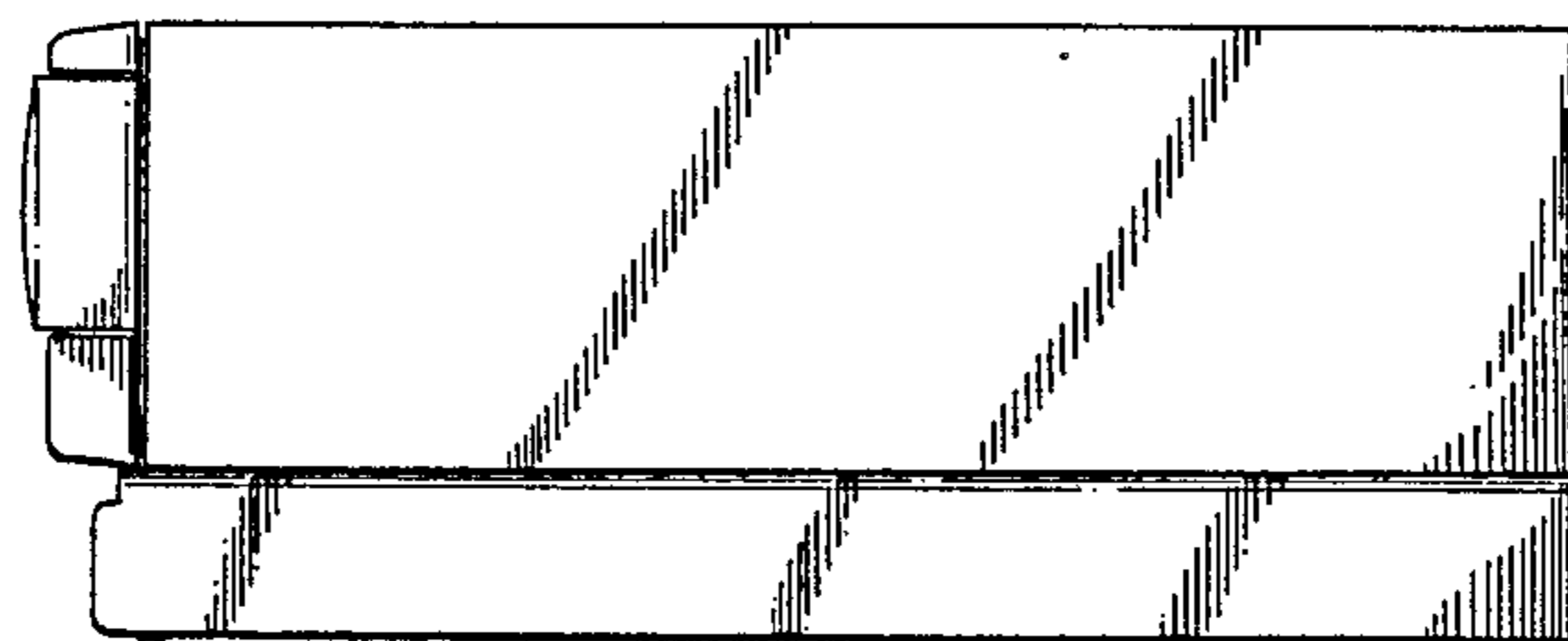


FIG. 3

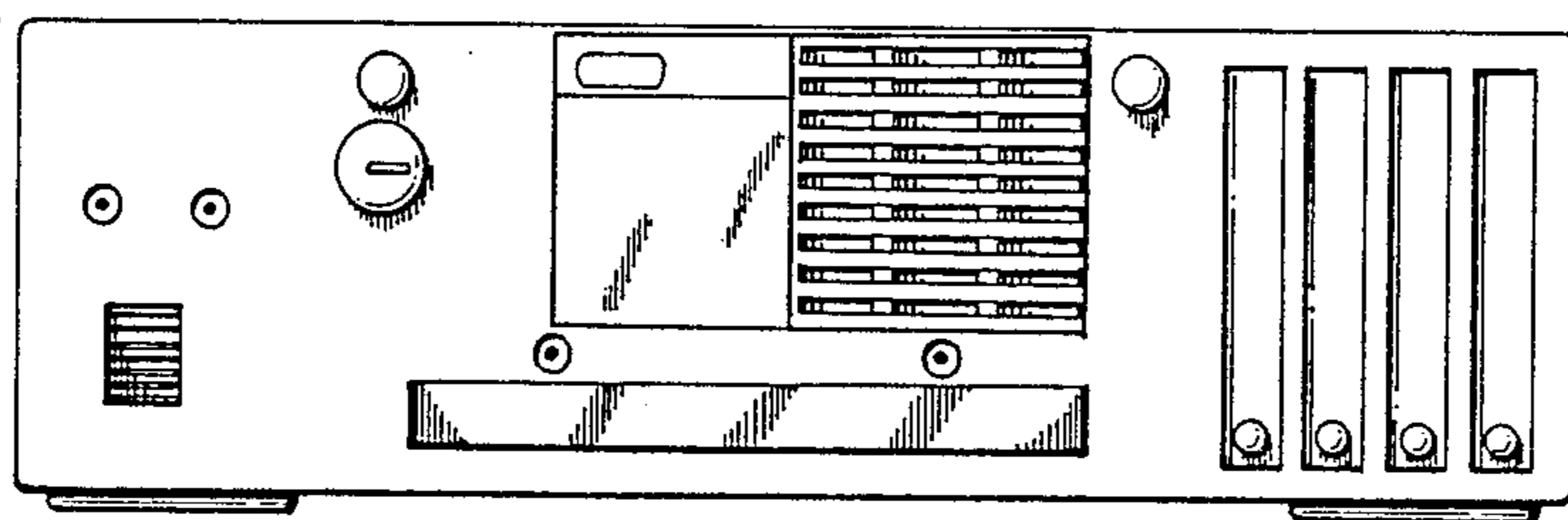


FIG. 4

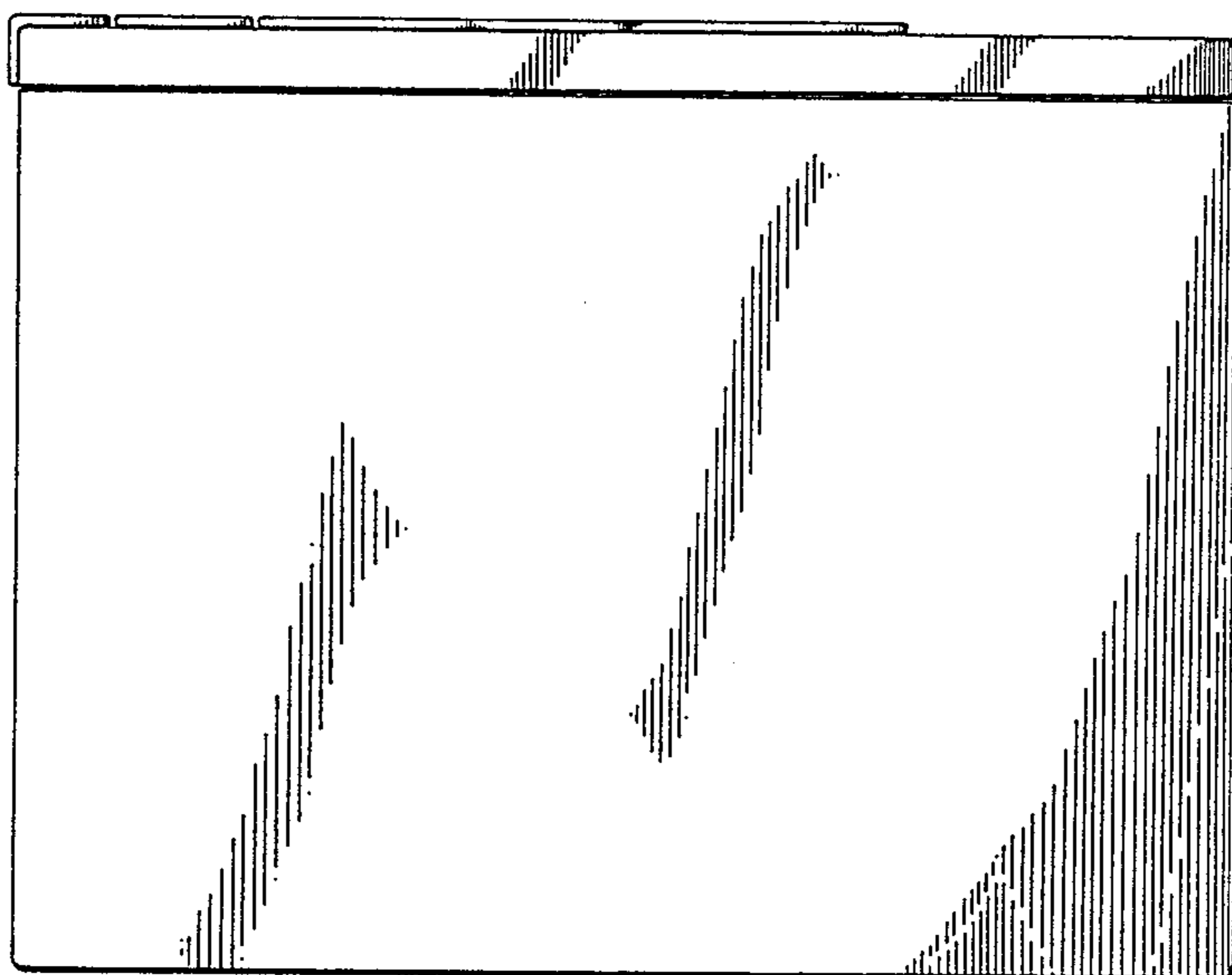


FIG. 5

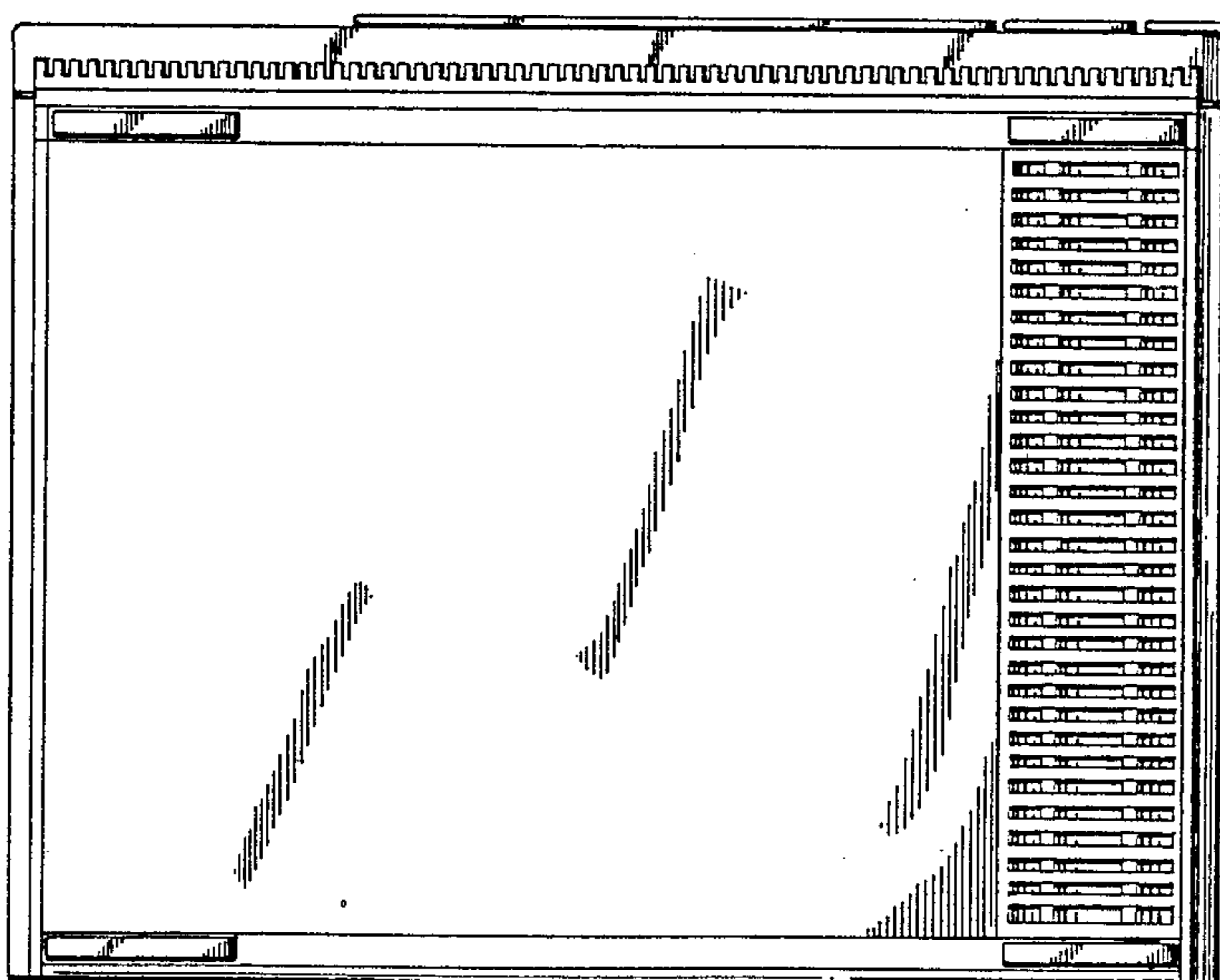


FIG. 6

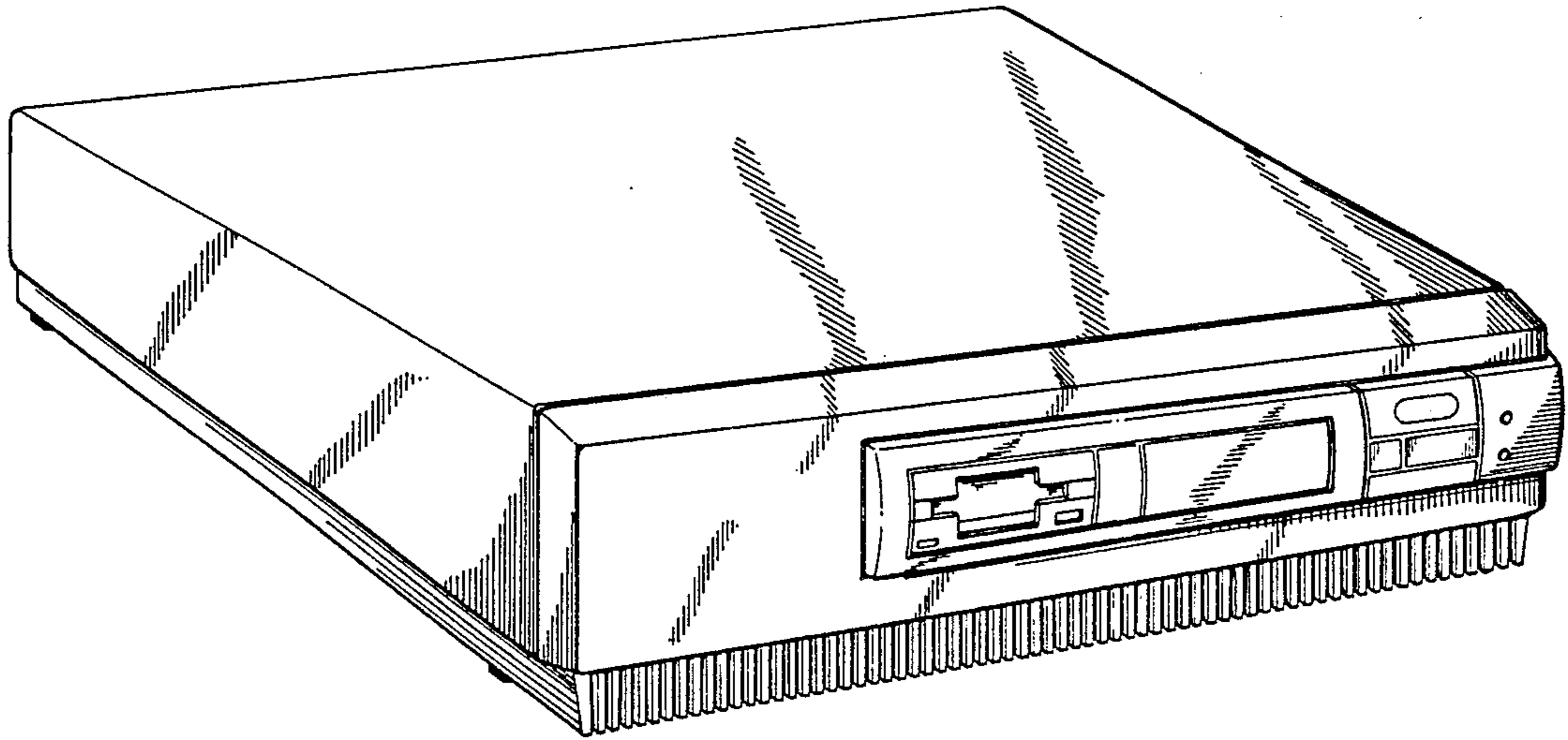


FIG. 7