

[54] HINGE COMPONENT FOR AN ELECTRICAL EQUIPMENT MOUNTING

[75] Inventor: Henry W. Scherer, Mt. Prospect, Ill.

[73] Assignee: S&C Electric Company, Chicago, Ill.

[**] Term: 14 Years

[21] Appl. No.: 264,403

[22] Filed: Oct. 28, 1988

[52] U.S. Cl. D13/173; D13/160

[58] Field of Search D13/35, 40, 99, 160, D13/173, 184, 199; 337/180, 188; 439/621

[56] References Cited

U.S. PATENT DOCUMENTS

D. 254,614	4/1980	Biller et al.	D13/35
D. 254,615	4/1980	Evans et al.	D13/35
2,744,982	5/1956	Smith, Jr. et al.	337/180
2,834,855	5/1958	Carpenter et al.	337/156
2,910,560	10/1959	Stroup et al.	337/180
4,268,811	5/1981	Evans et al.	337/156
4,687,277	8/1987	Biller	439/621

OTHER PUBLICATIONS

S&C Hinge on p. 29 of *Electrical Construction and Maintenance*, Jan. 1985.

S&C Photo Sheet 252-700 dated Jun. 20, 1988, (2 pp.).
S&C Descriptive Bulletin 252-30 dated Mar. 21, 1983, (28 pp.).

Primary Examiner—Susan J. Lucas

Assistant Examiner—Joel Sincavage

Attorney, Agent, or Firm—James V. Lapacek

[57] CLAIM

The ornamental design for a hinge component for an electrical equipment mounting, as shown and described.

DESCRIPTION

FIG. 1 is a perspective view of the hinge component for an electrical equipment mounting showing my new design;

FIG. 2 is a front elevational view thereof;

FIG. 3 is a left-side elevational view thereof;

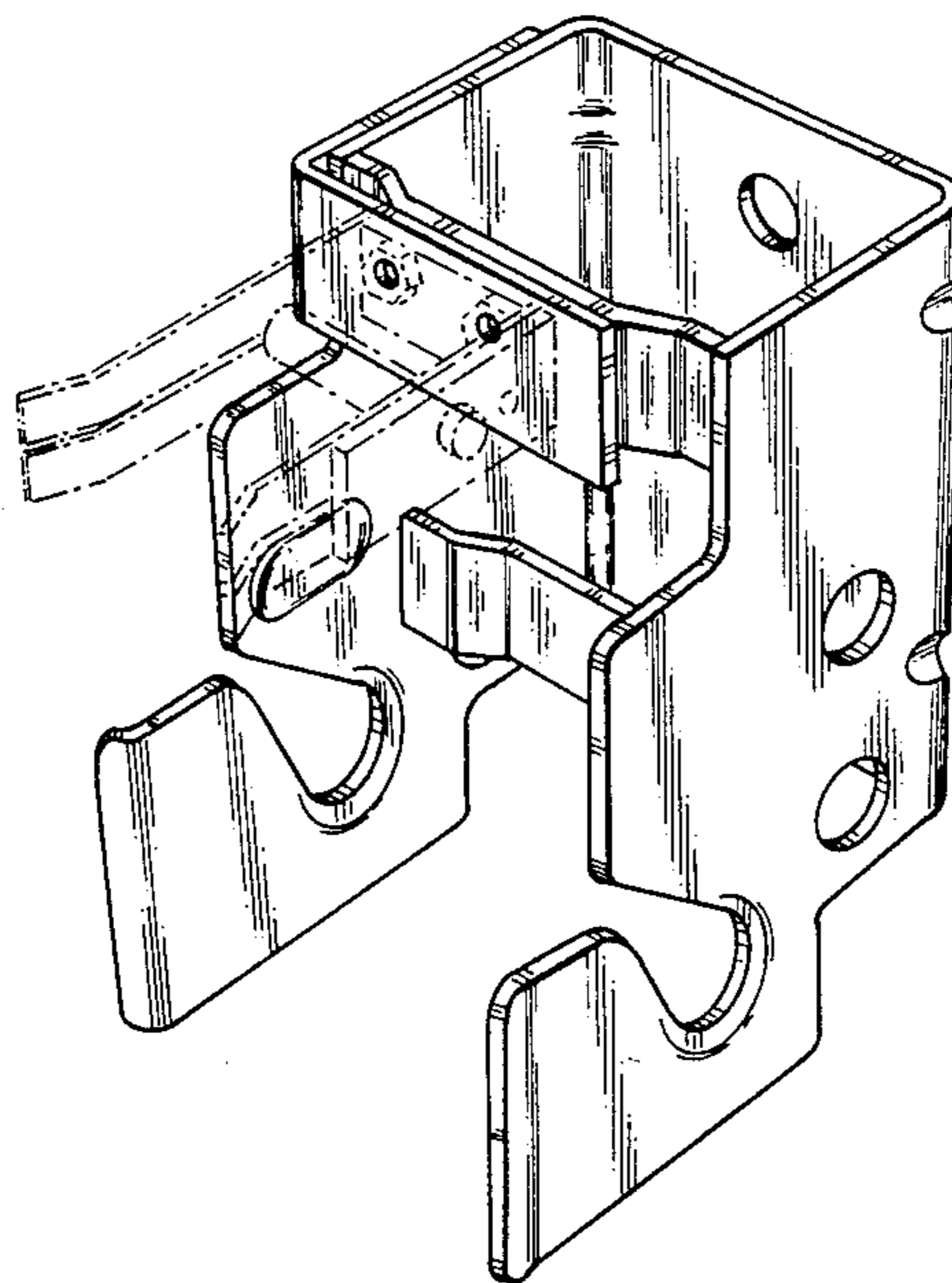
FIG. 4 is a right-side elevational view thereof;

FIG. 5 is a rear elevational view thereof;

FIG. 6 is a top plan view thereof; and

FIG. 7 is a bottom plan view thereof.

A contact is shown in broken lines in FIG. 1 for illustrative purposes and form no part of the claimed design.



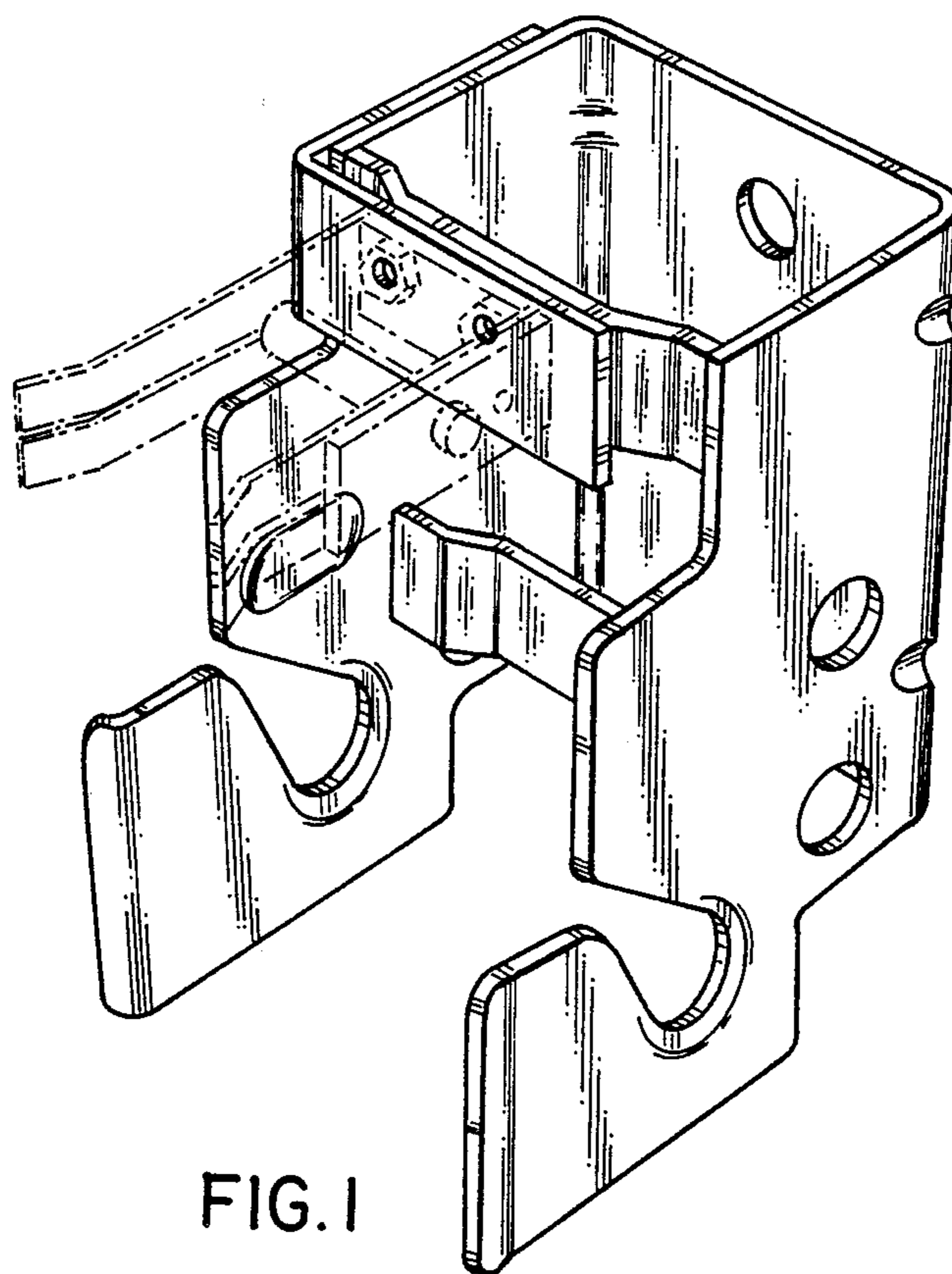


FIG. 1

FIG. 3

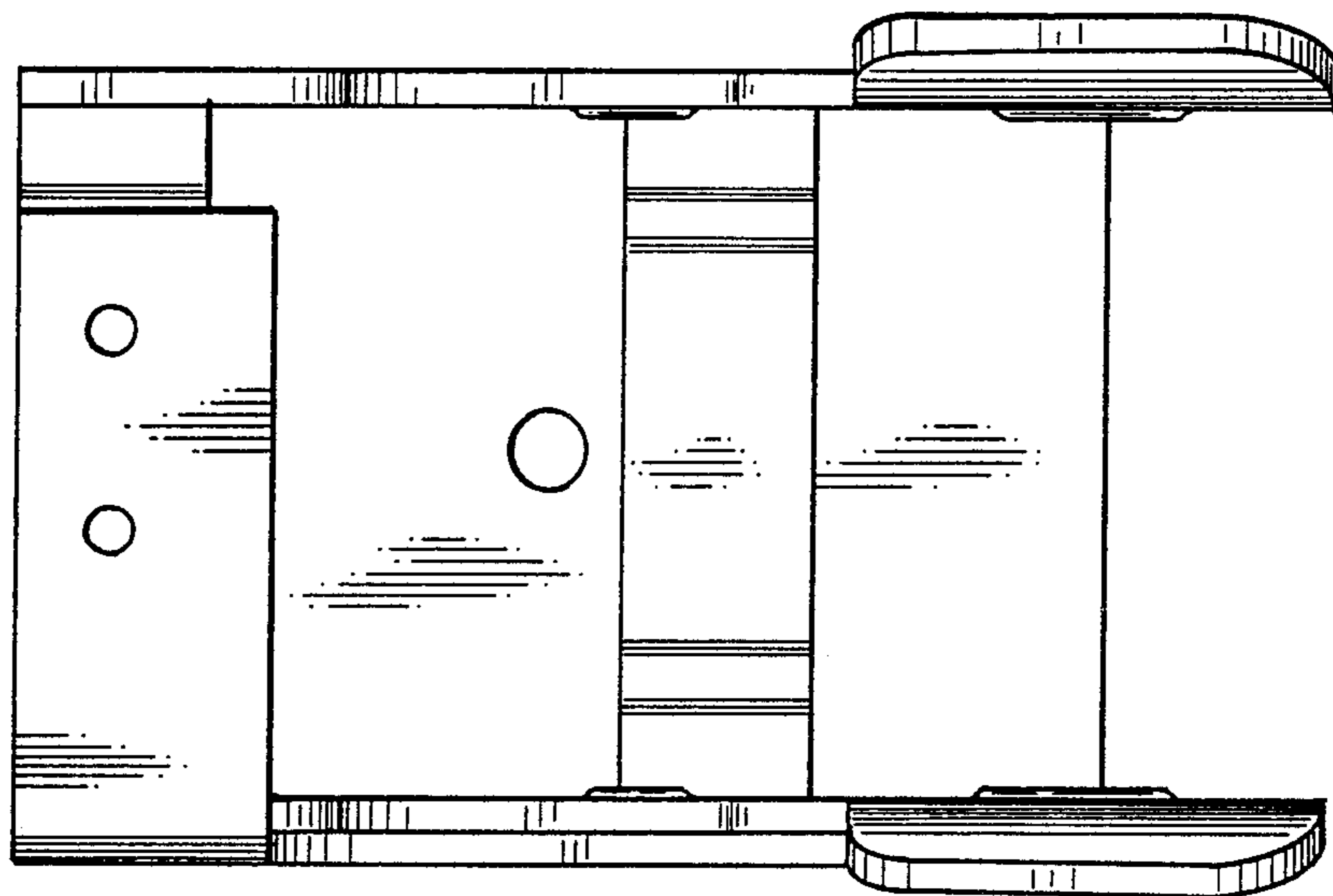


FIG. 2

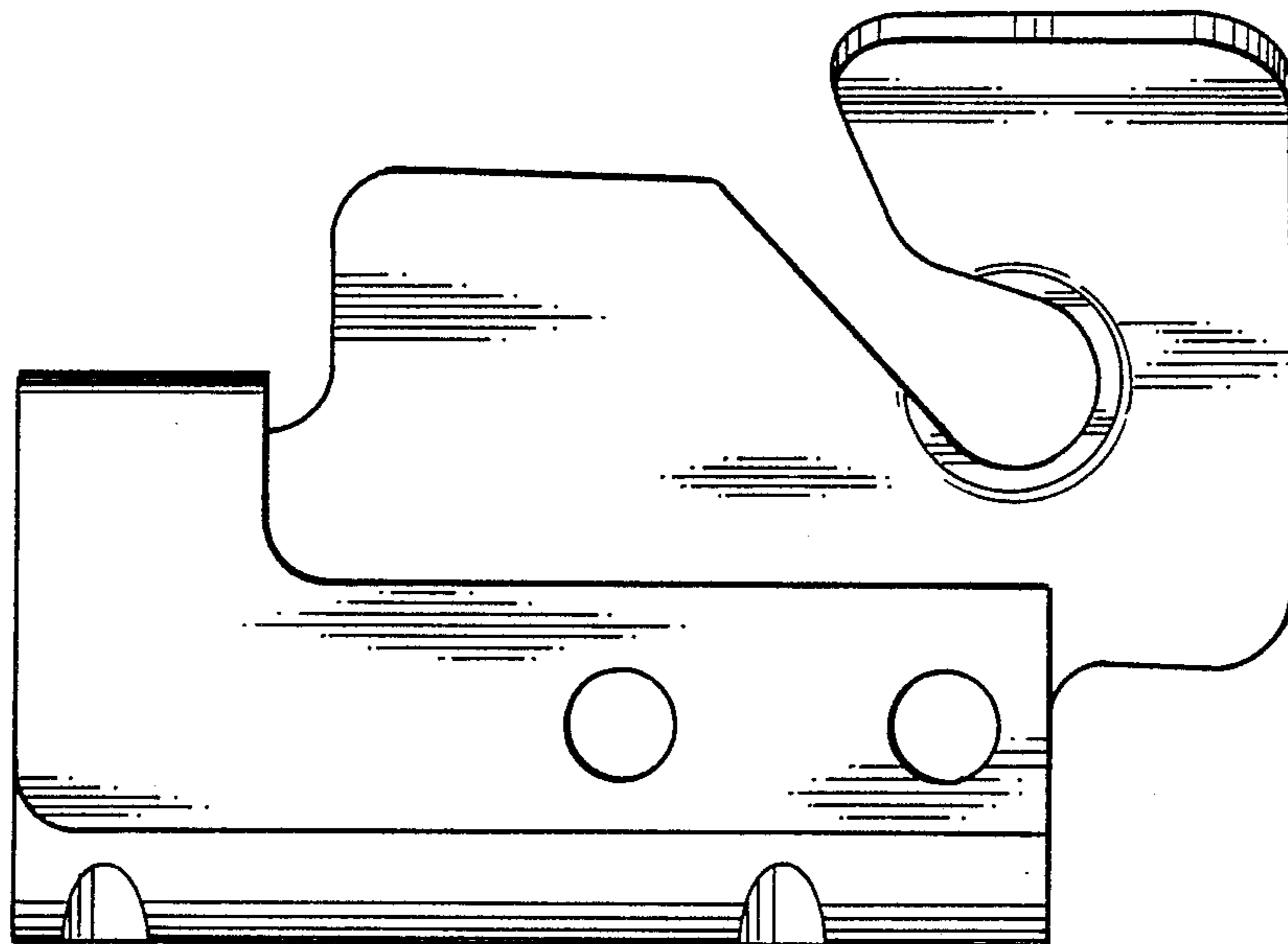


FIG. 5

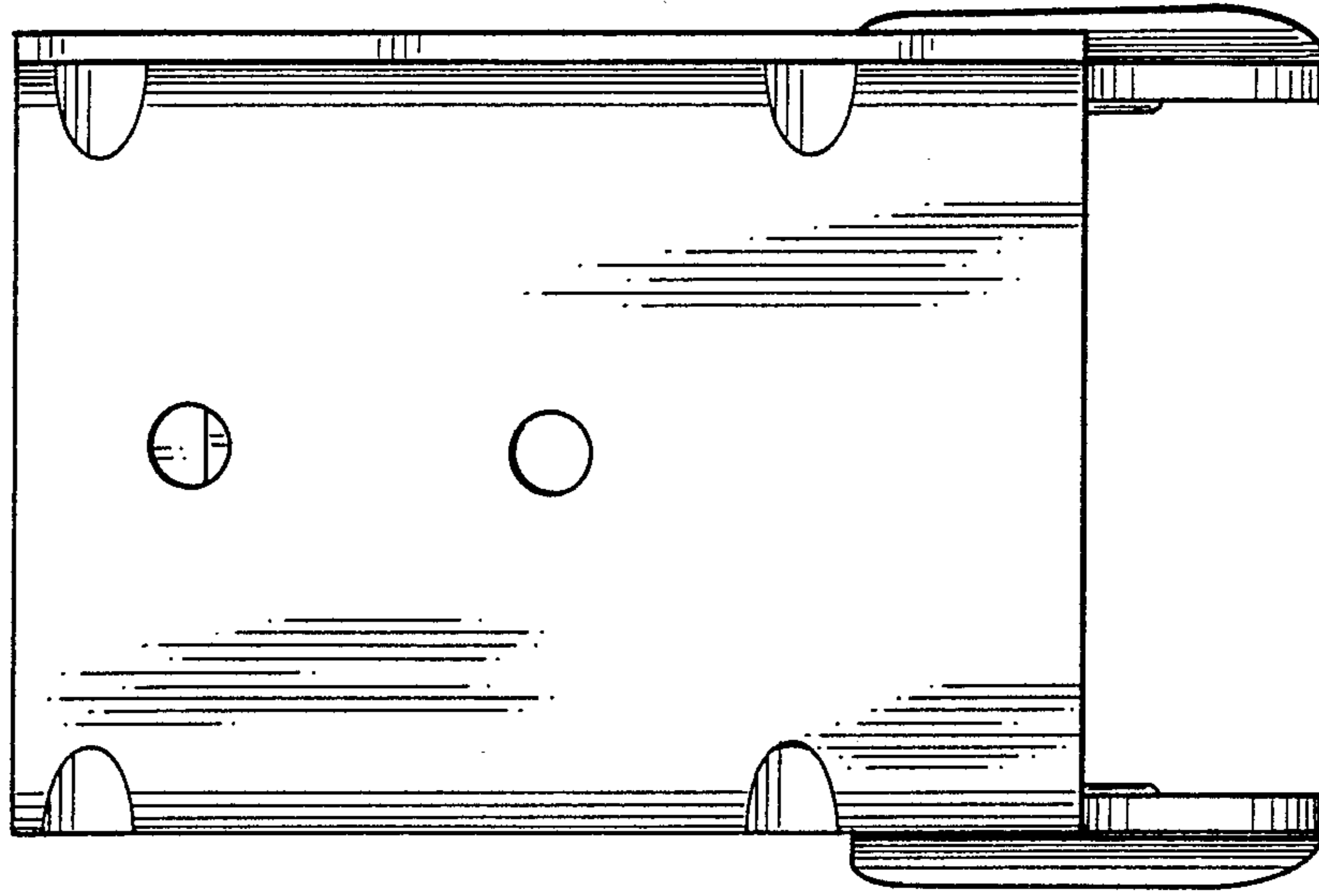


FIG. 4

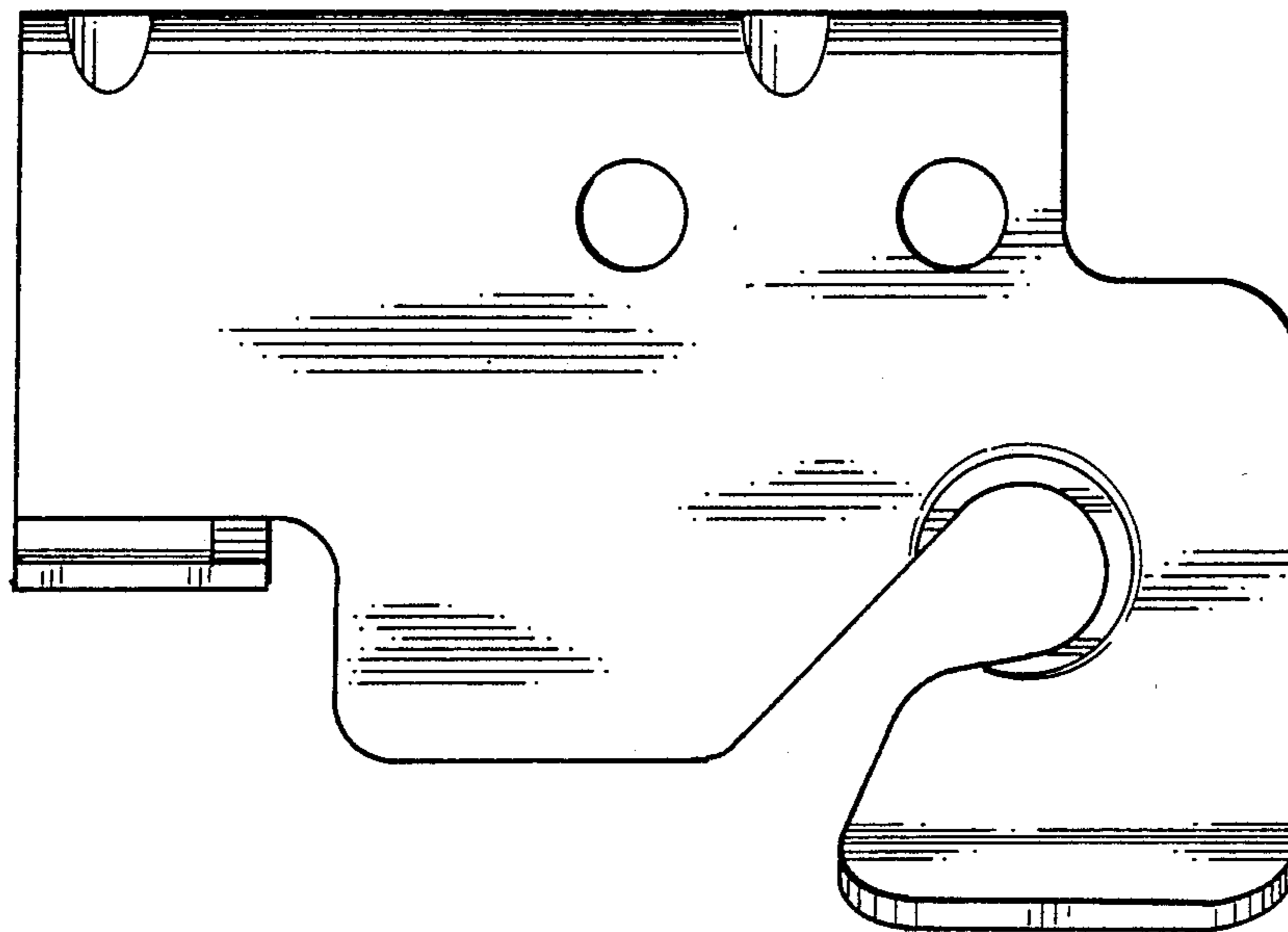


FIG. 6

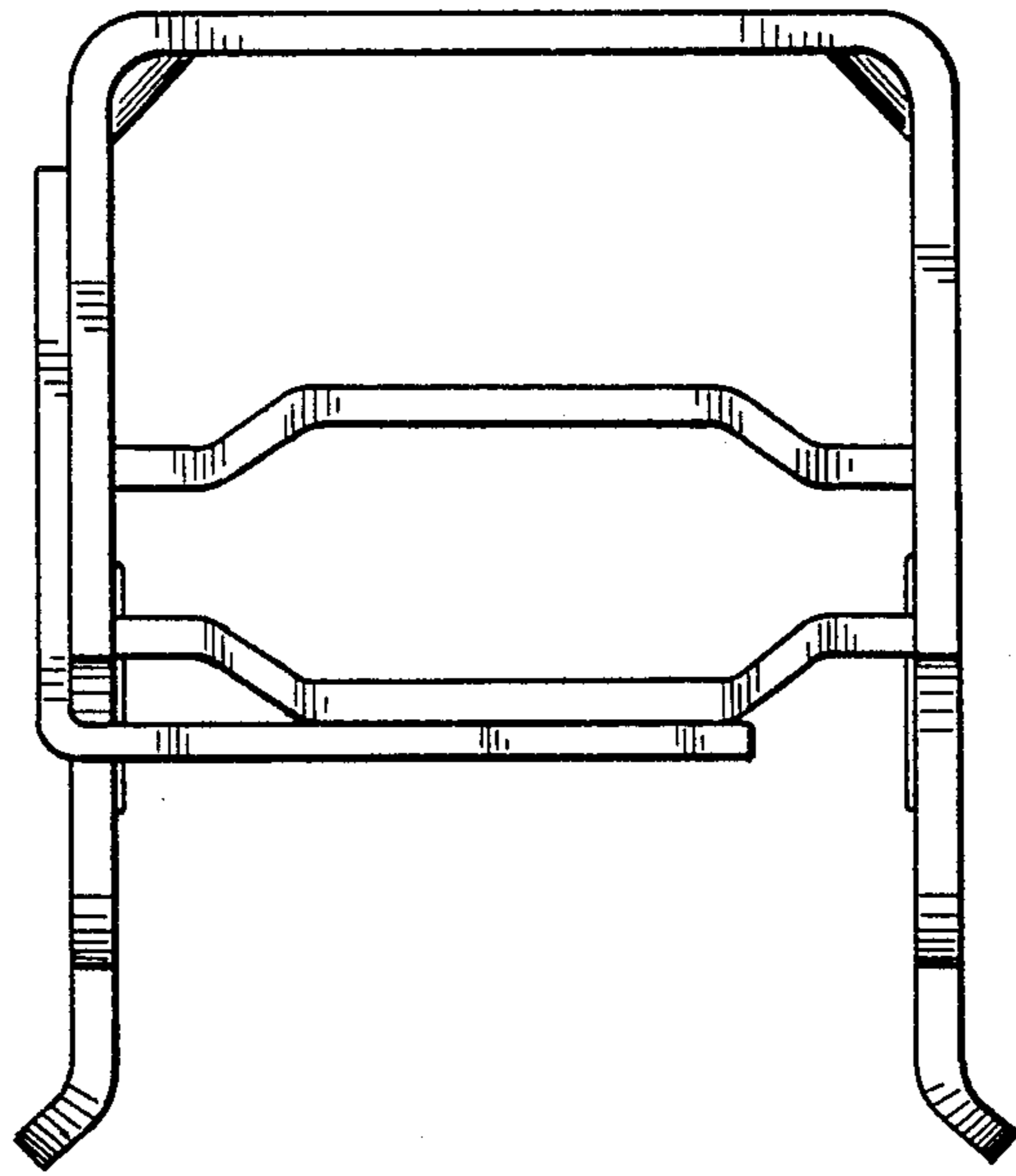


FIG. 7

