

[54] **ELECTRICAL CONNECTOR FOR
COMPUTER POWER CABLE**

[75] **Inventor: Hartmut Esslinger, Los Gatos, Calif.**

[73] **Assignee: NeXT, Inc., Redwood City, Calif.**

[**] **Term: 14 Years**

[21] **Appl. No.: 214,110**

[22] **Filed: Jun. 30, 1988**

[52] **U.S. Cl. D13/141**

[58] **Field of Search D13/133, 137, 138, 139,
D13/141, 142, 143, 144, 145, 146, 147; 439/682,
167, 146, 174, 176, 172**

[56] **References Cited**

U.S. PATENT DOCUMENTS

D. 263,699 4/1982 Vest et al. D13/141

FOREIGN PATENT DOCUMENTS

1203864 4/1986 Canada 439/685
2083716 2/1982 United Kingdom 439/682

OTHER PUBLICATIONS

Global Computer Supplies Catalog, Mar. 1987, p. 26,
"Comp-Gard" Plug.

Carol Cordsets Catalog, copyright 1985, p. 16, Standard
Heater Cord Plug.

Primary Examiner—Susan J. Lucas

Assistant Examiner—Melody Brown

Attorney, Agent, or Firm—Robert R. Jackson; Laurence
S. Rogers; Doreen F. Shulman

[57] **CLAIM**

The ornamental design for an electrical connector for
computer power cable, as shown and described.

DESCRIPTION

FIG. 1 is a top, left, front perspective view of an electrical
connector for computer power cable showing my new design, it being understood that the broken lines
are for illustrative purposes only and form no part of the
claimed design;

FIG. 2 is a right side elevational view thereof, the left
side being a mirror image of that shown;

FIG. 3 is a front elevational view thereof;

FIG. 4 is a rear elevational view thereof;

FIG. 5 is a top plan view thereof; and

FIG. 6 is a bottom plan view thereof.

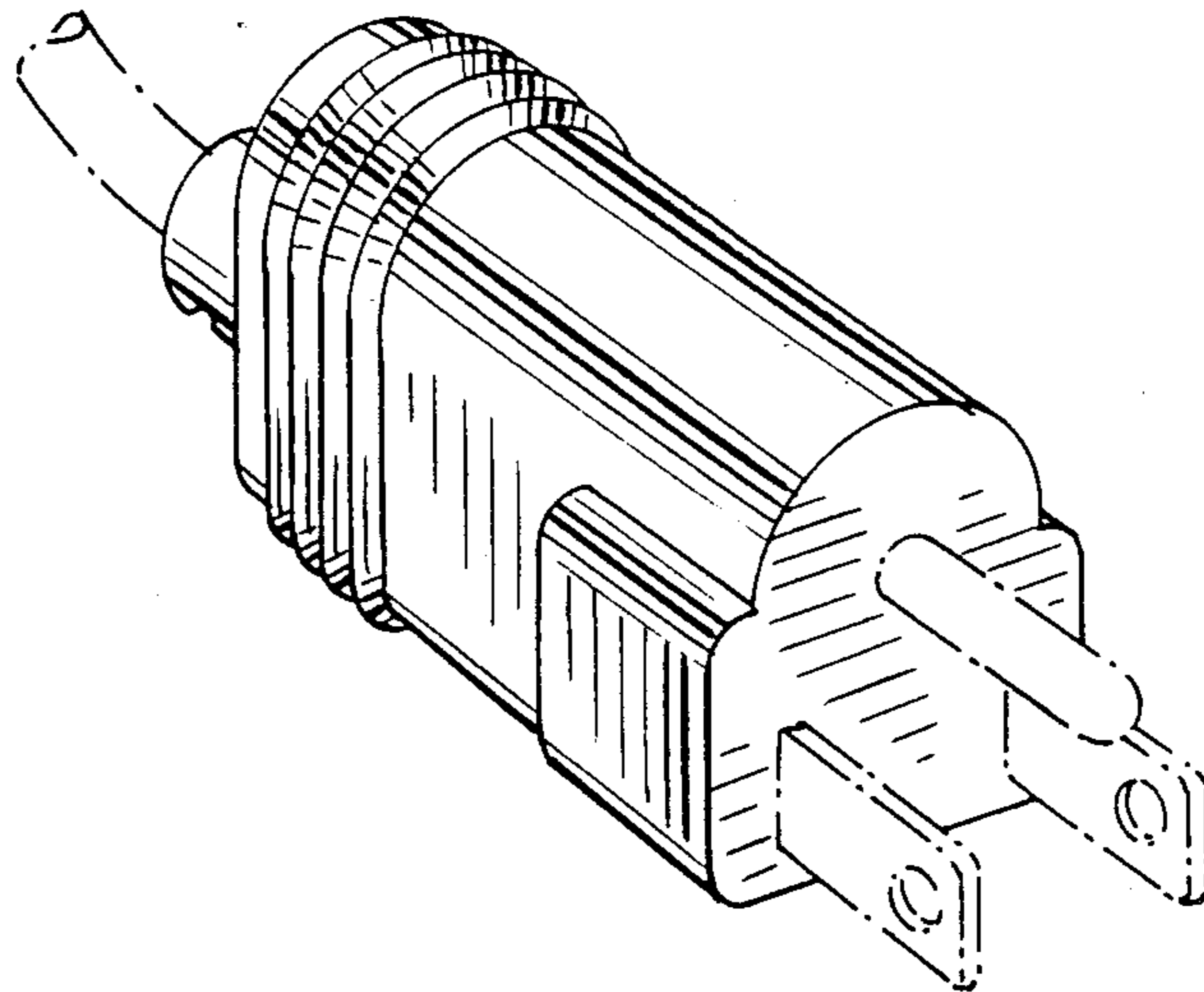


Fig. 1.

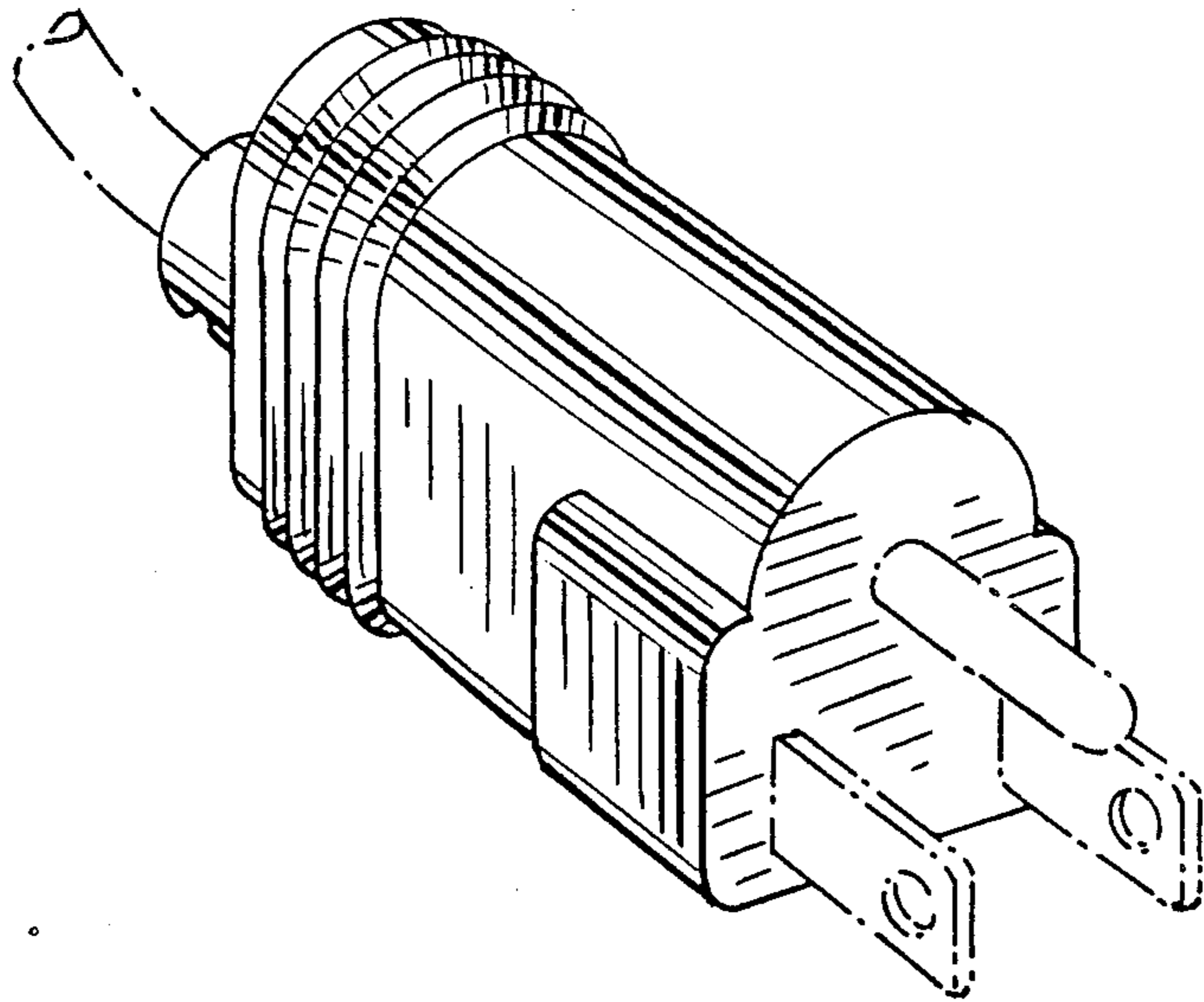


Fig. 2.

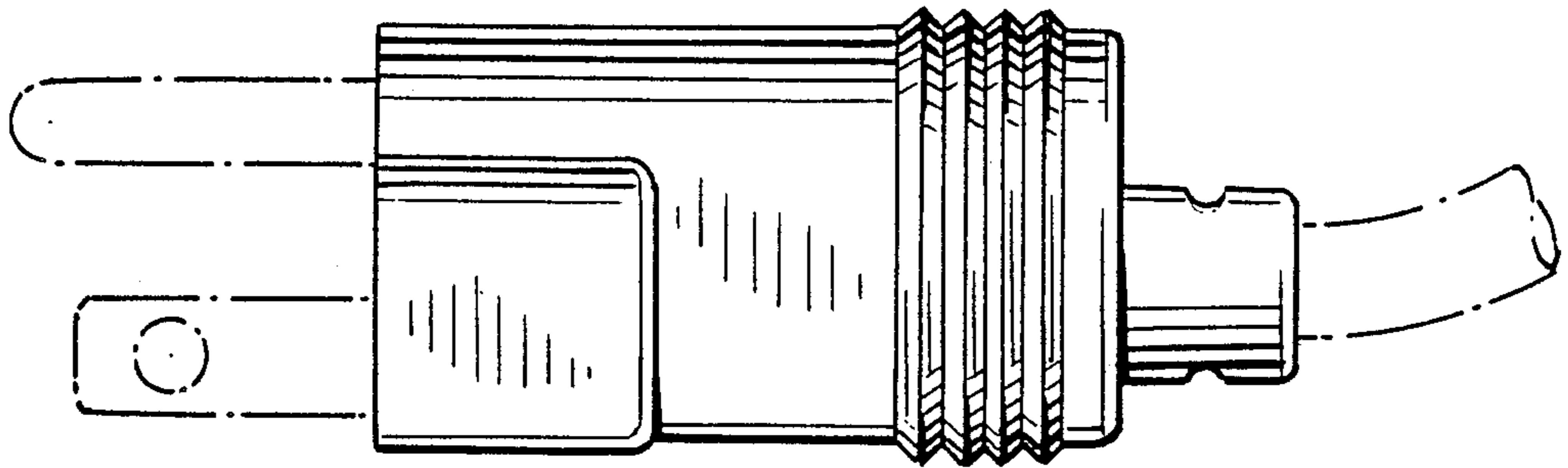


Fig. 4.

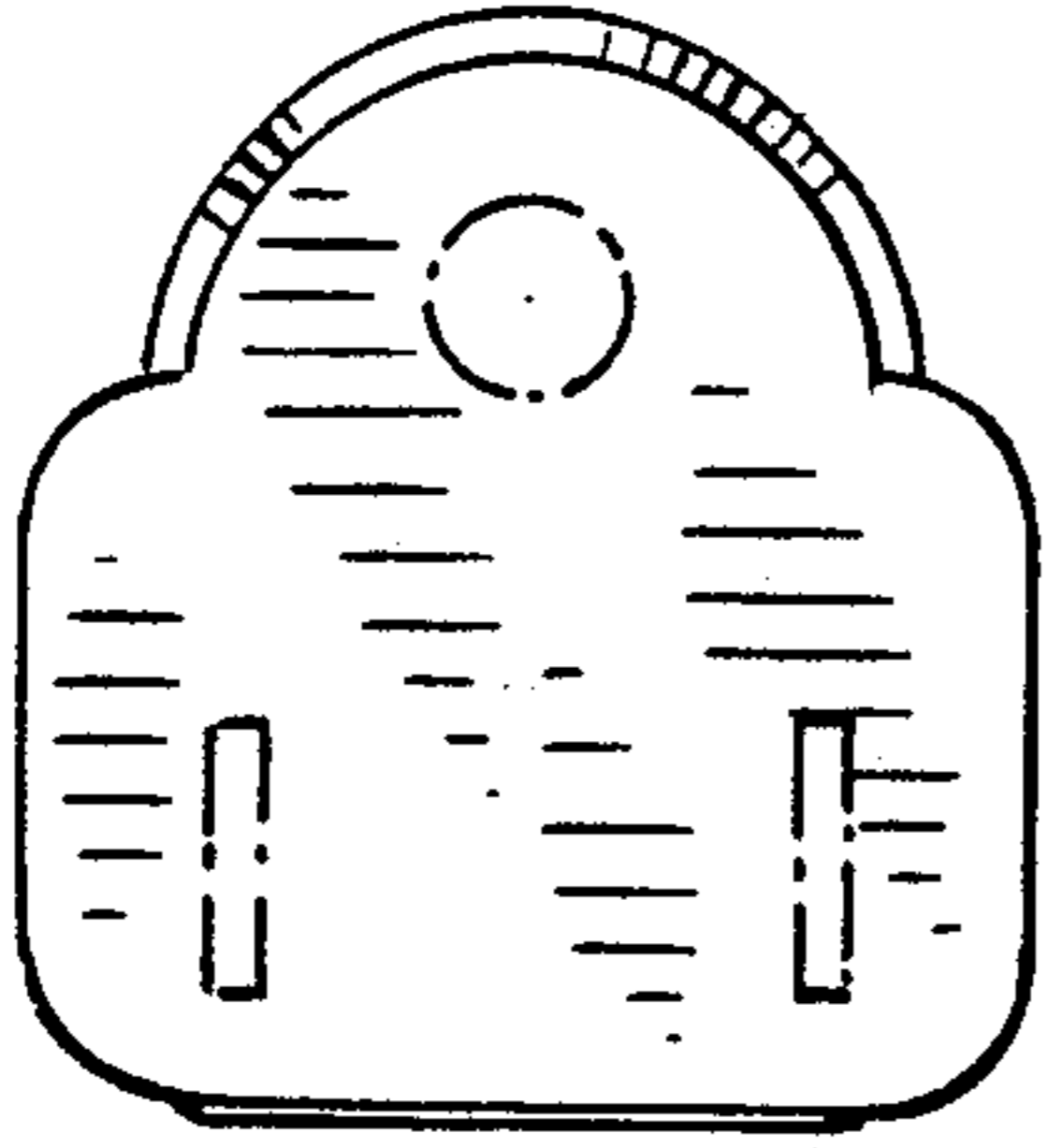


Fig. 5.

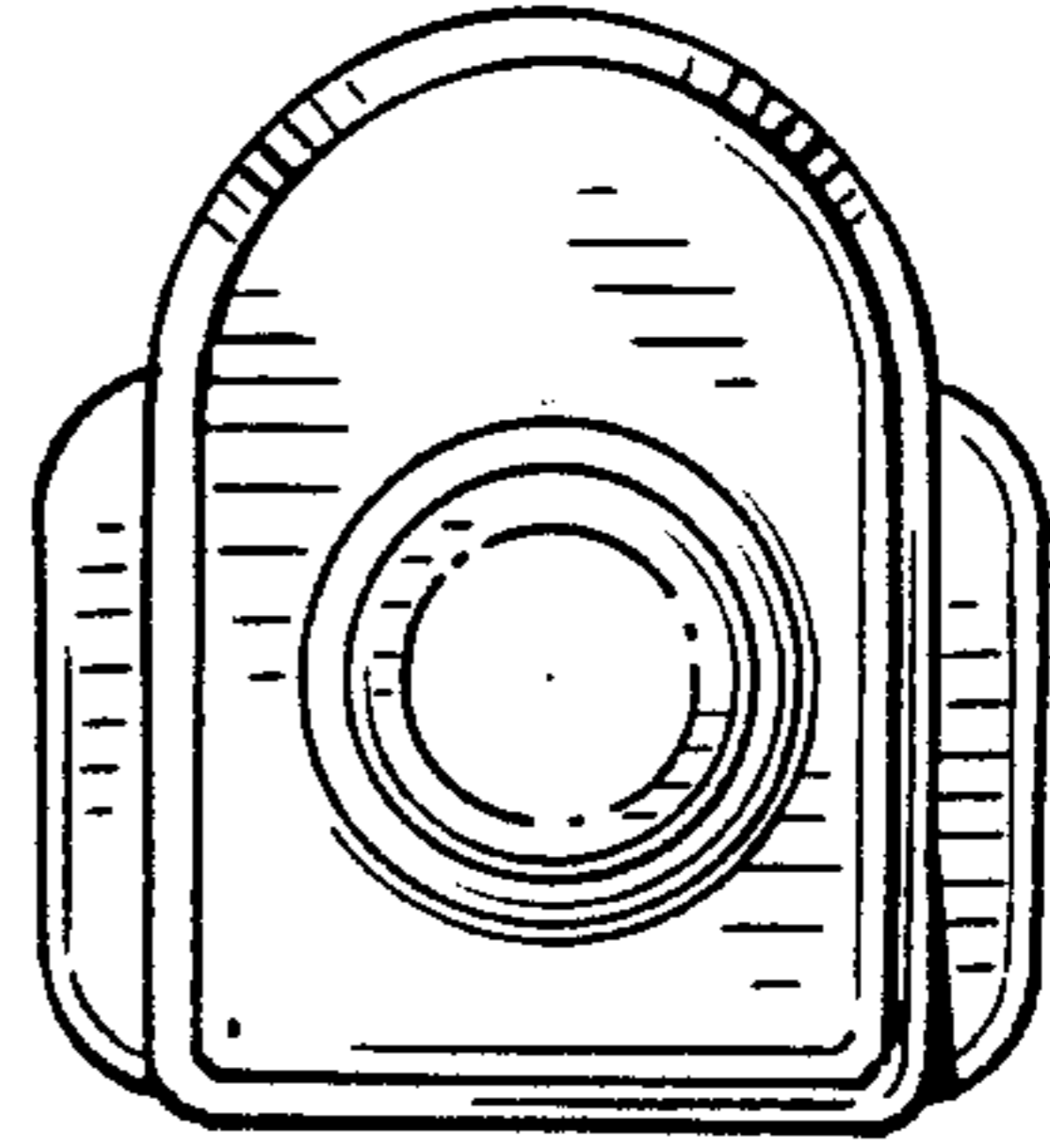


Fig. 3.

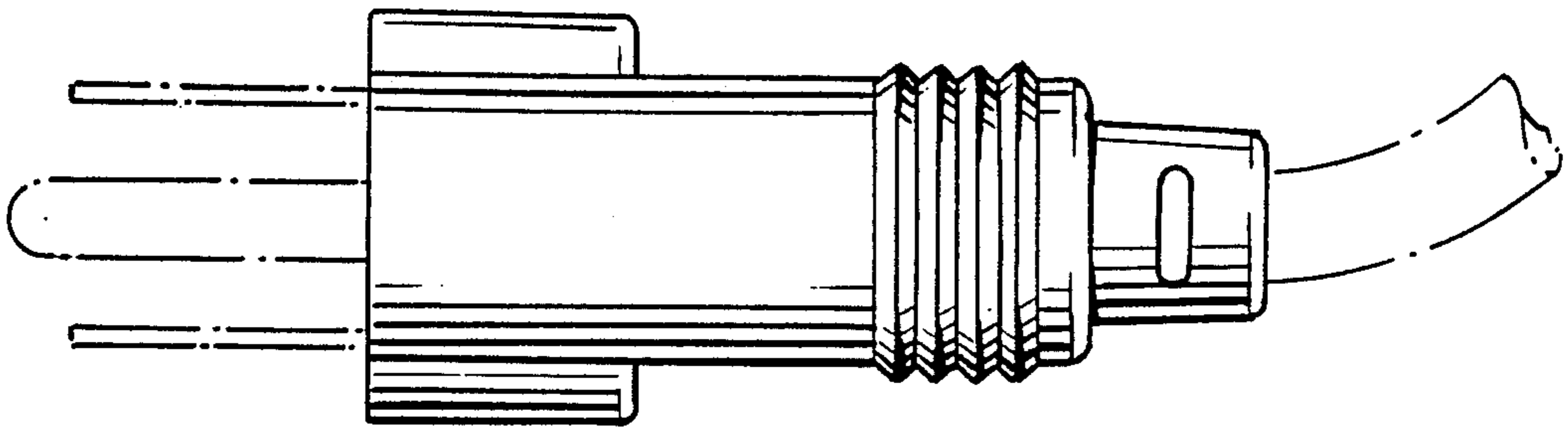


Fig. 6.

