

[54] ENCLOSURE FOR PORTABLE VOLTAGE CONDITIONING EQUIPMENT AND THE LIKE

[75] Inventors: Richard S. Lenzing, Farmington; Thomas C. Gmuer, Southbury; Paul E. Juneau, Bristol, all of Conn.

[73] Assignee: The Superior Electric Company, Bristol, Conn.

[\*\*] Term: 14 Years

[21] Appl. No.: 39,992

[22] Filed: Apr. 17, 1987

[52] U.S. Cl. .... D13/124; D13/123; D13/110; D13/103

[58] Field of Search ..... D13/4, 5, 11, 8, 107, D13/123, 110, 124, 103; 429/187; 163, 97, 100; 320/2, 3, 4, 5, 27; 310/50; 361/331, 383, 479

[56] References Cited

PUBLICATIONS

Line Conditioner on p. 69 of the 1-85 INMAC Catalog.

Stabiline SVRS Unit, p. 23, *Bell Atlantic Business Supplies Catalog*.

Sola Voltage Regulator on p. 38, of R & R Direct Catalog, 4-1986.

Tripp Lite Line Conditioner on p. 57, of 1986, *Allied Catalog*.

Primary Examiner—Susan J. Lucas

Assistant Examiner—Joel Sincavage

Attorney, Agent, or Firm—John H. Crozier

[57] CLAIM

The ornamental design for an enclosure for portable voltage conditioning equipment and the like, as shown.

DESCRIPTION

FIG. 1 is a perspective view of the enclosure for portable voltage conditioning equipment and the like showing our new design;

FIG. 2 is a top plan view thereof;

FIG. 3 is a front elevation thereof;

FIG. 4 is a right side elevation thereof;

FIG. 5 is a rear elevation thereof;

FIG. 6 is a left side elevation thereof;

FIG. 7 is a bottom view thereof.

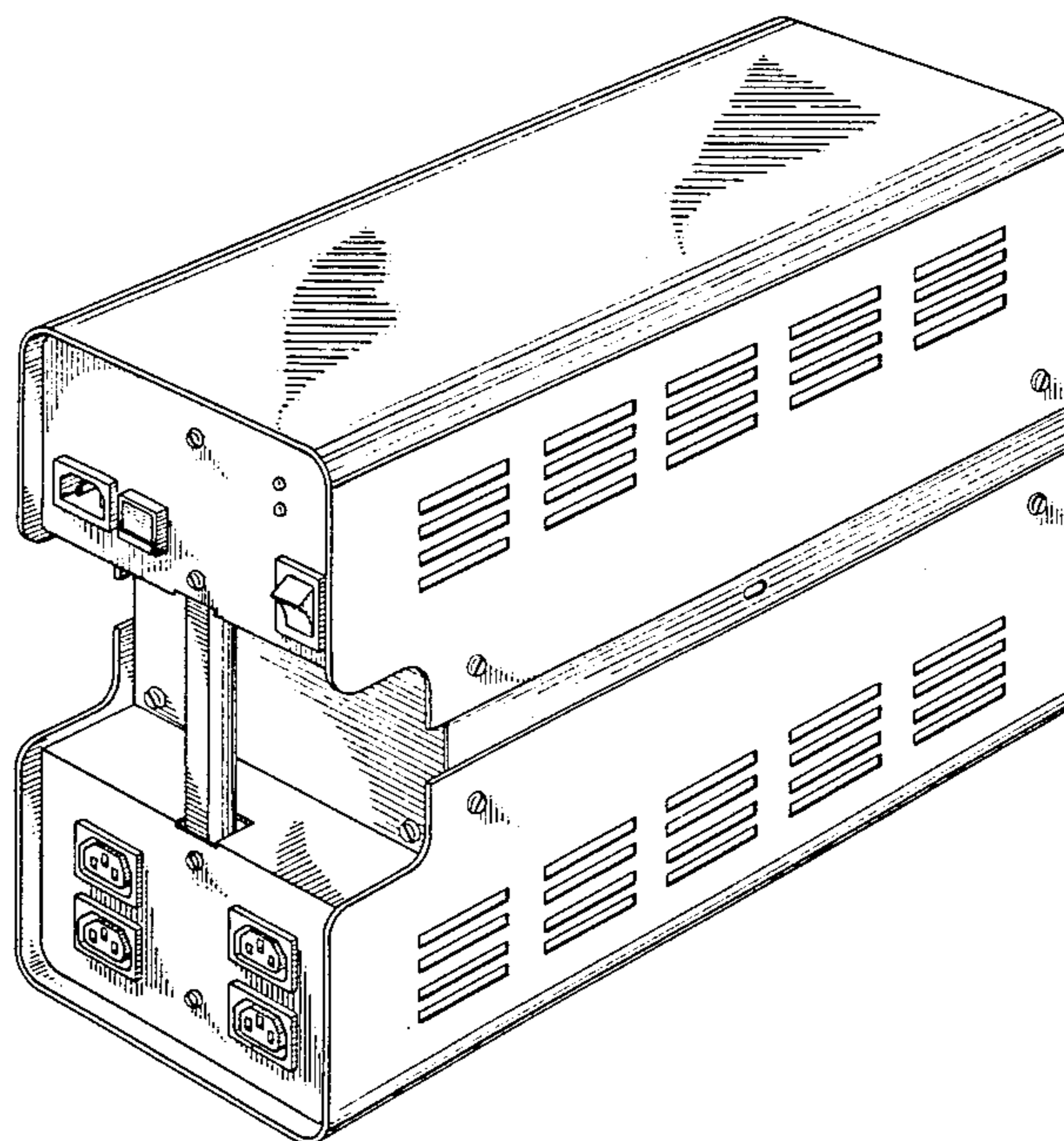


FIG. 1

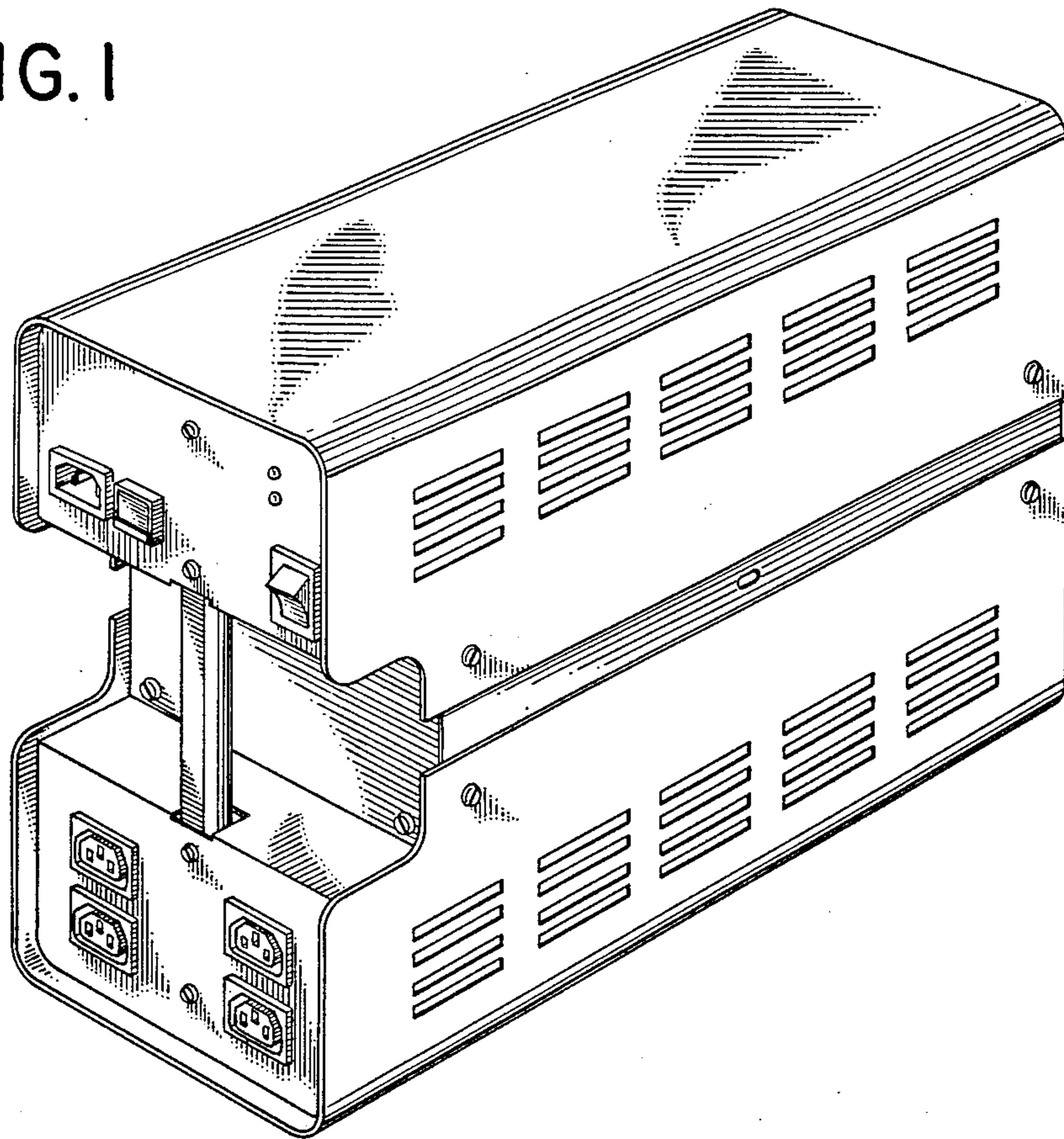


FIG. 3

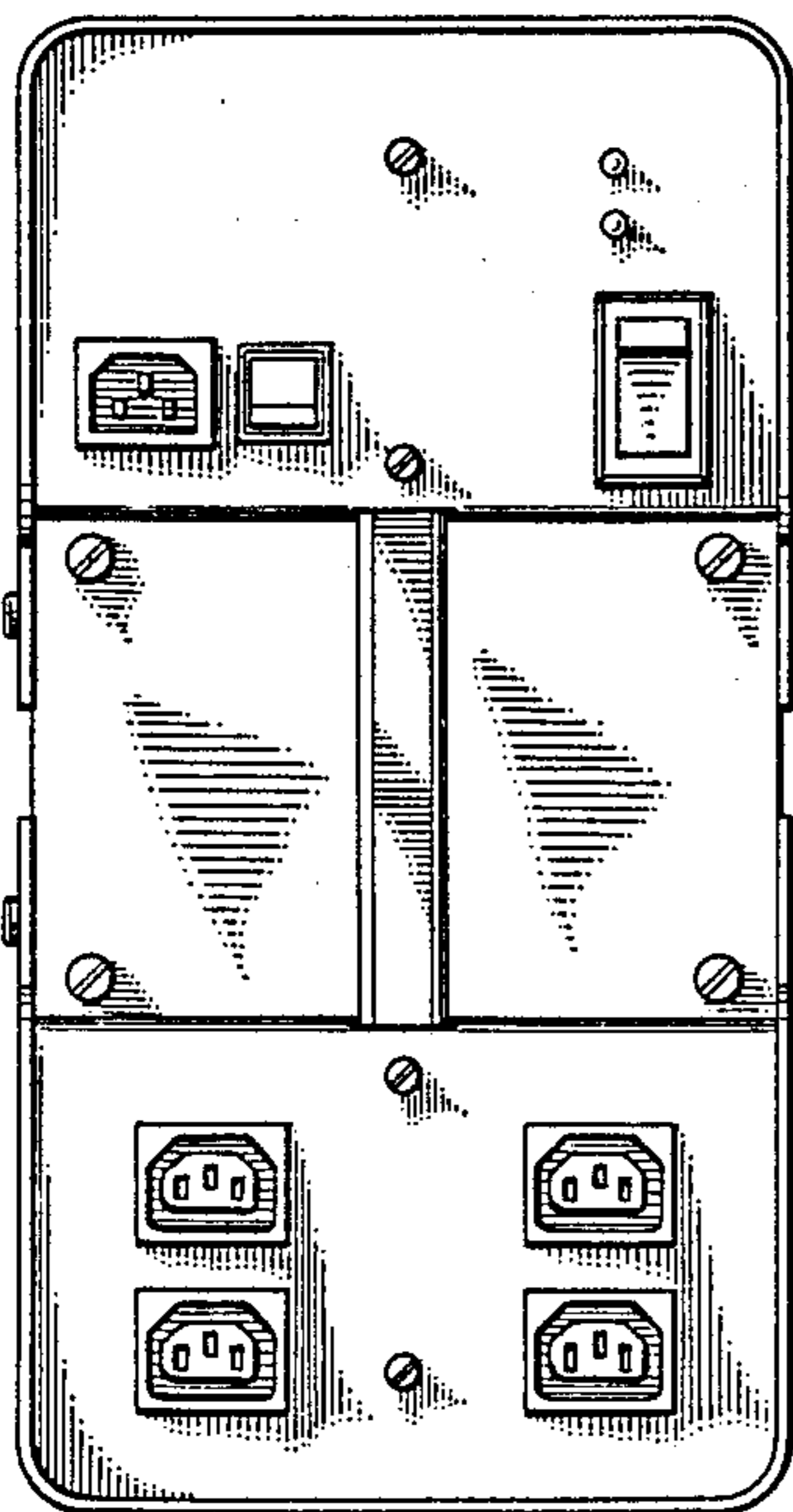


FIG. 4

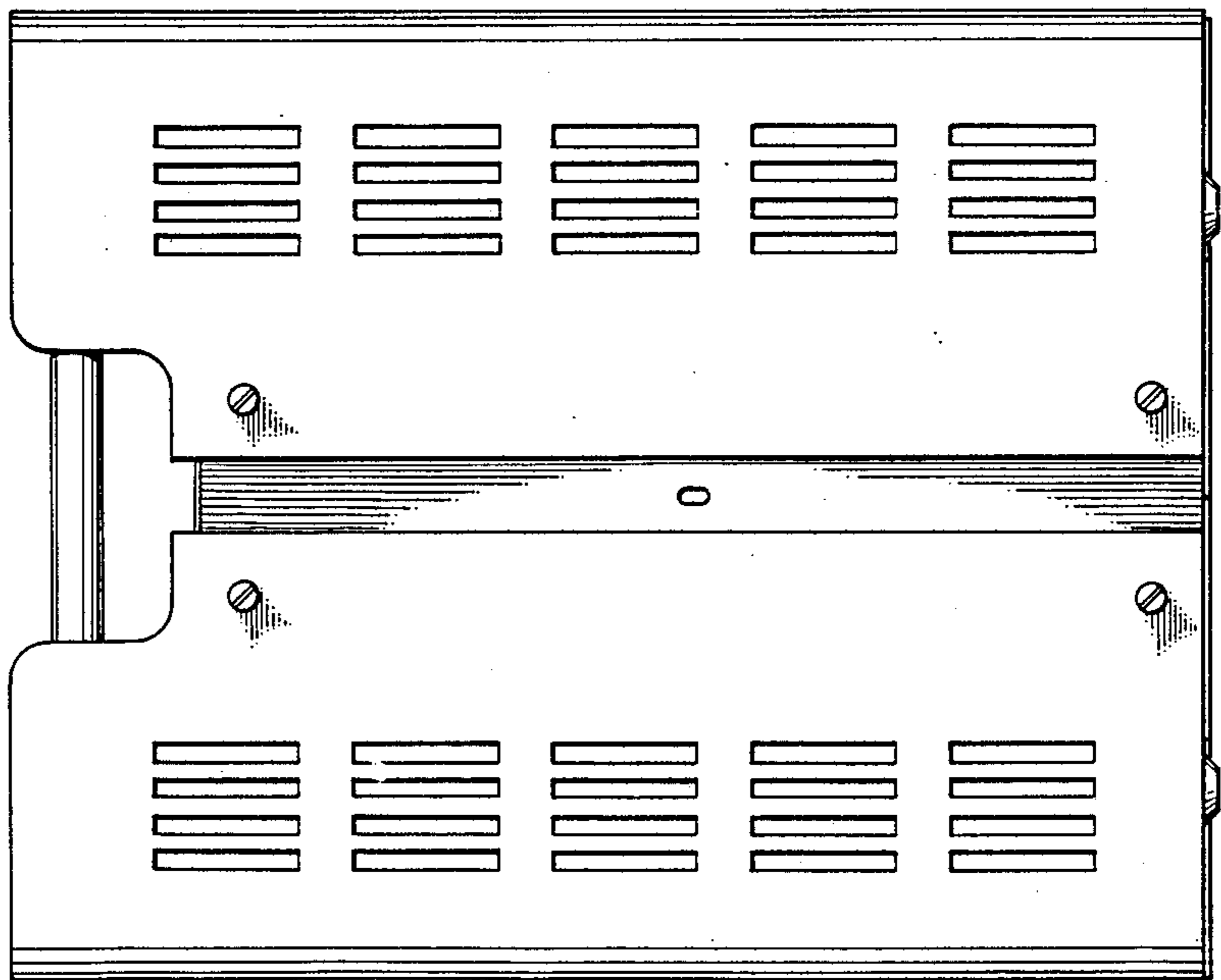


FIG. 5

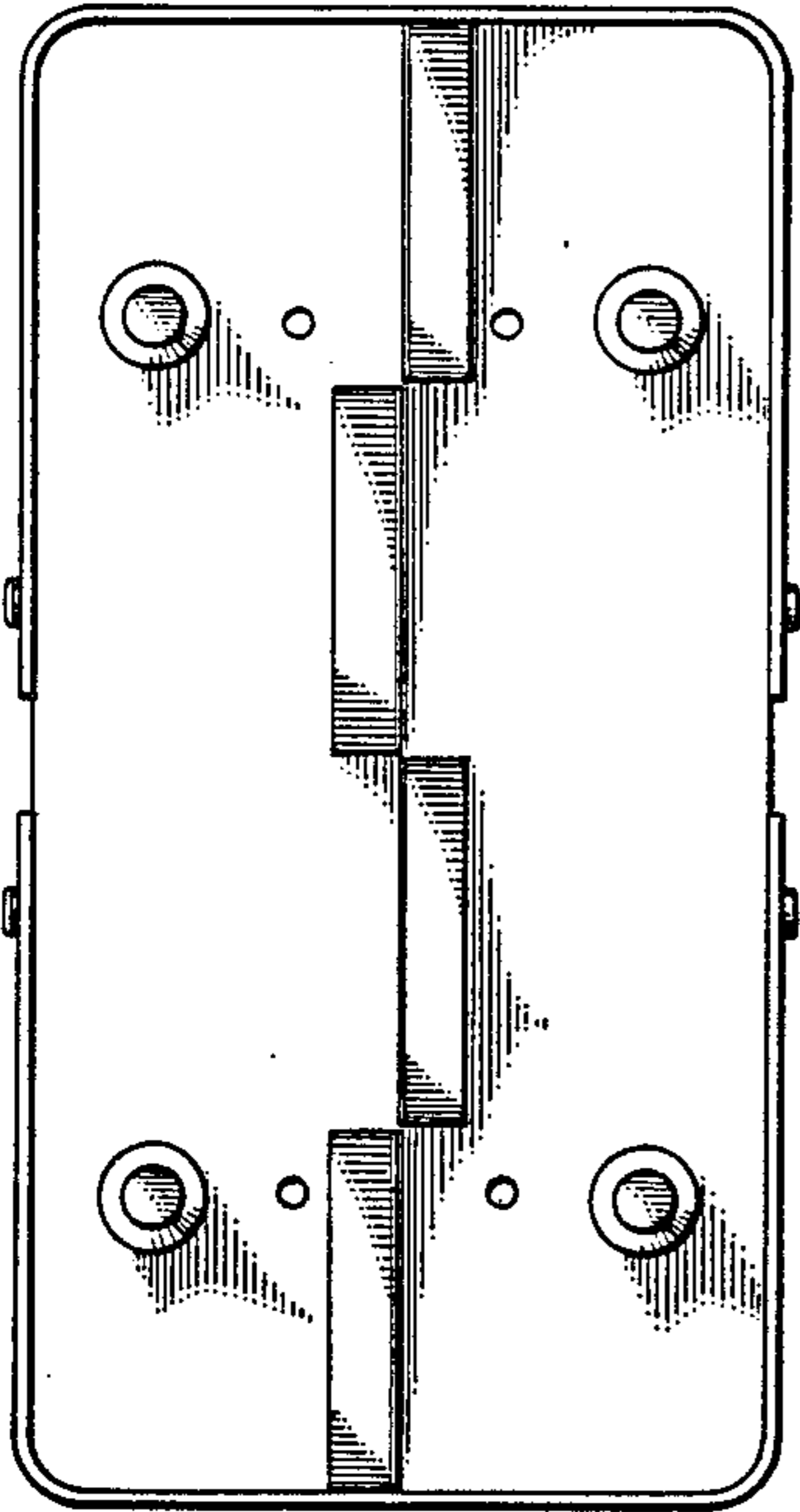


FIG. 6

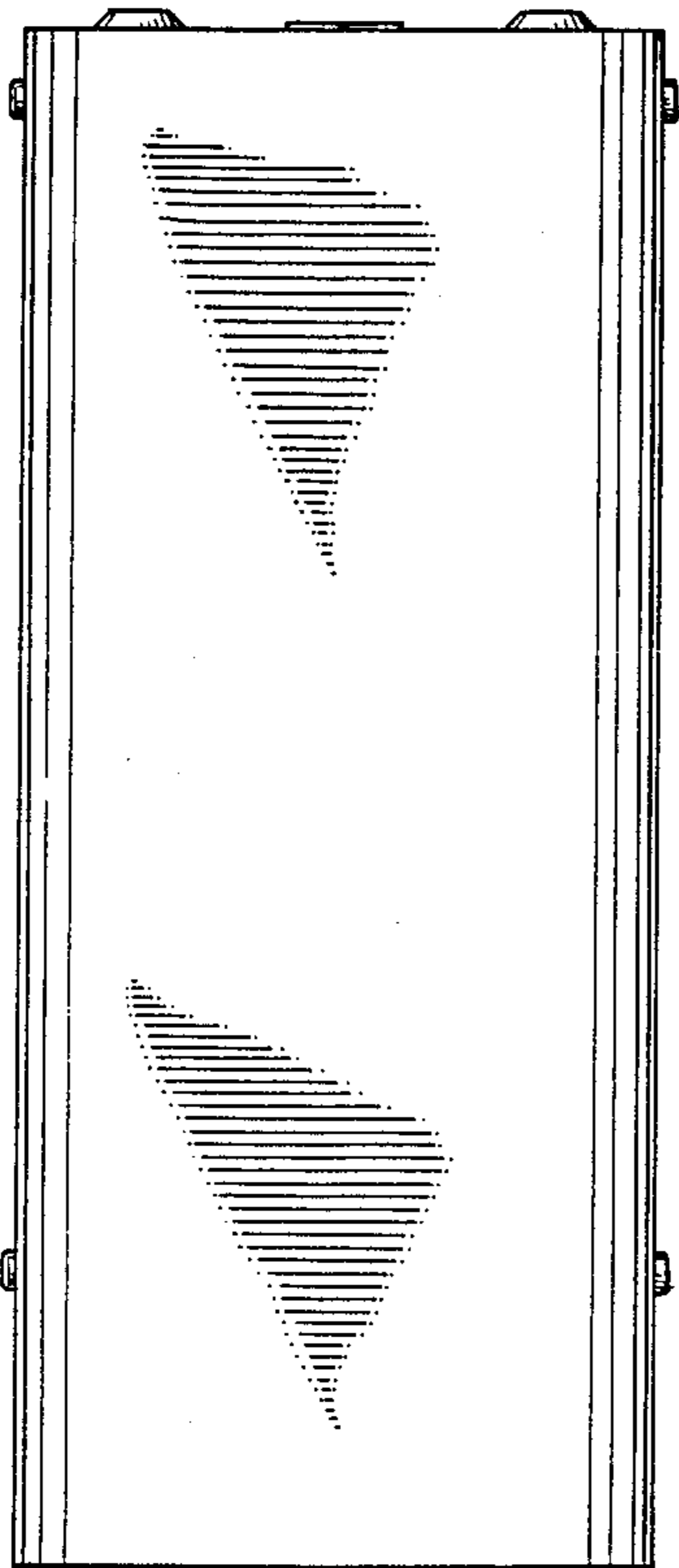
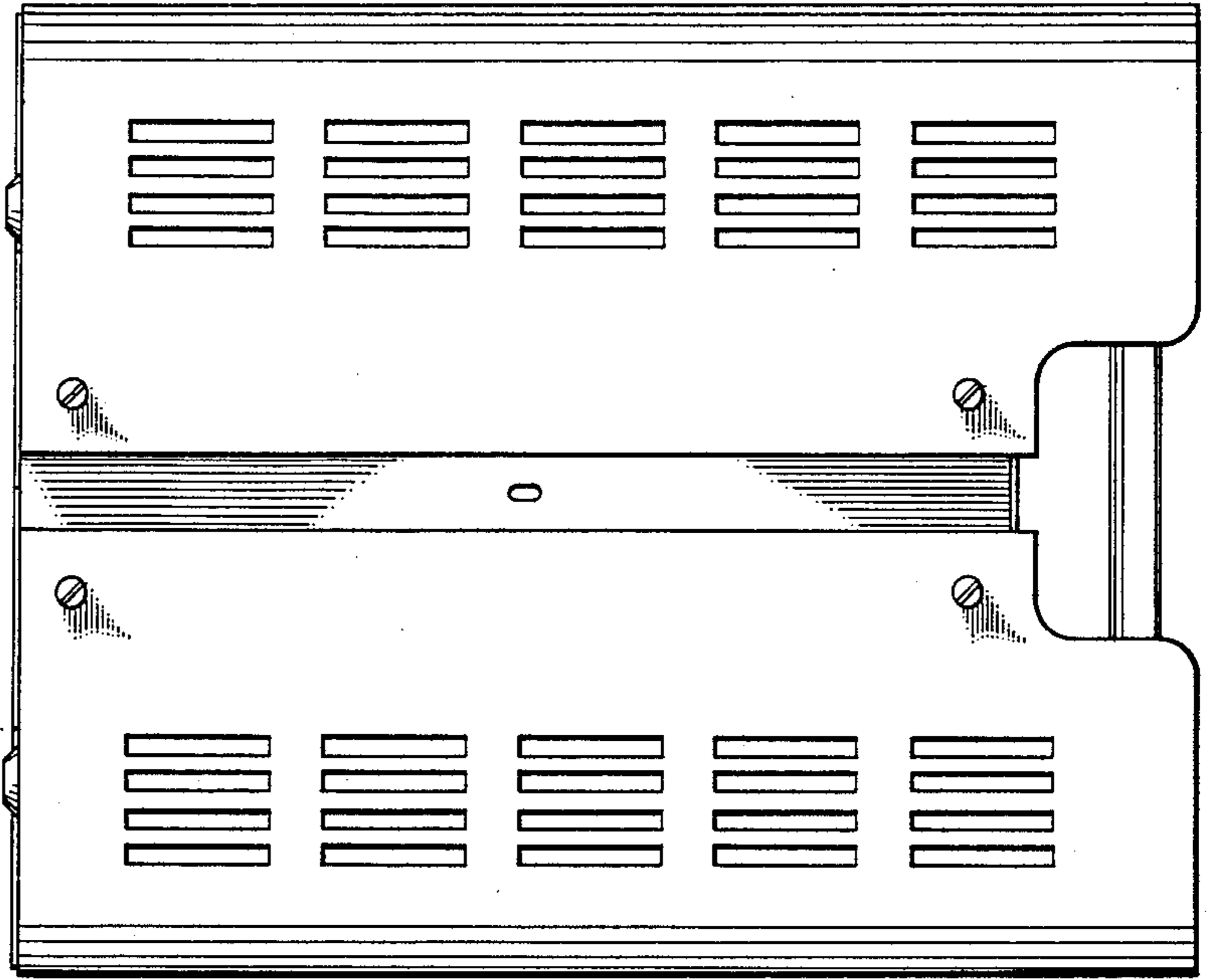


FIG. 2

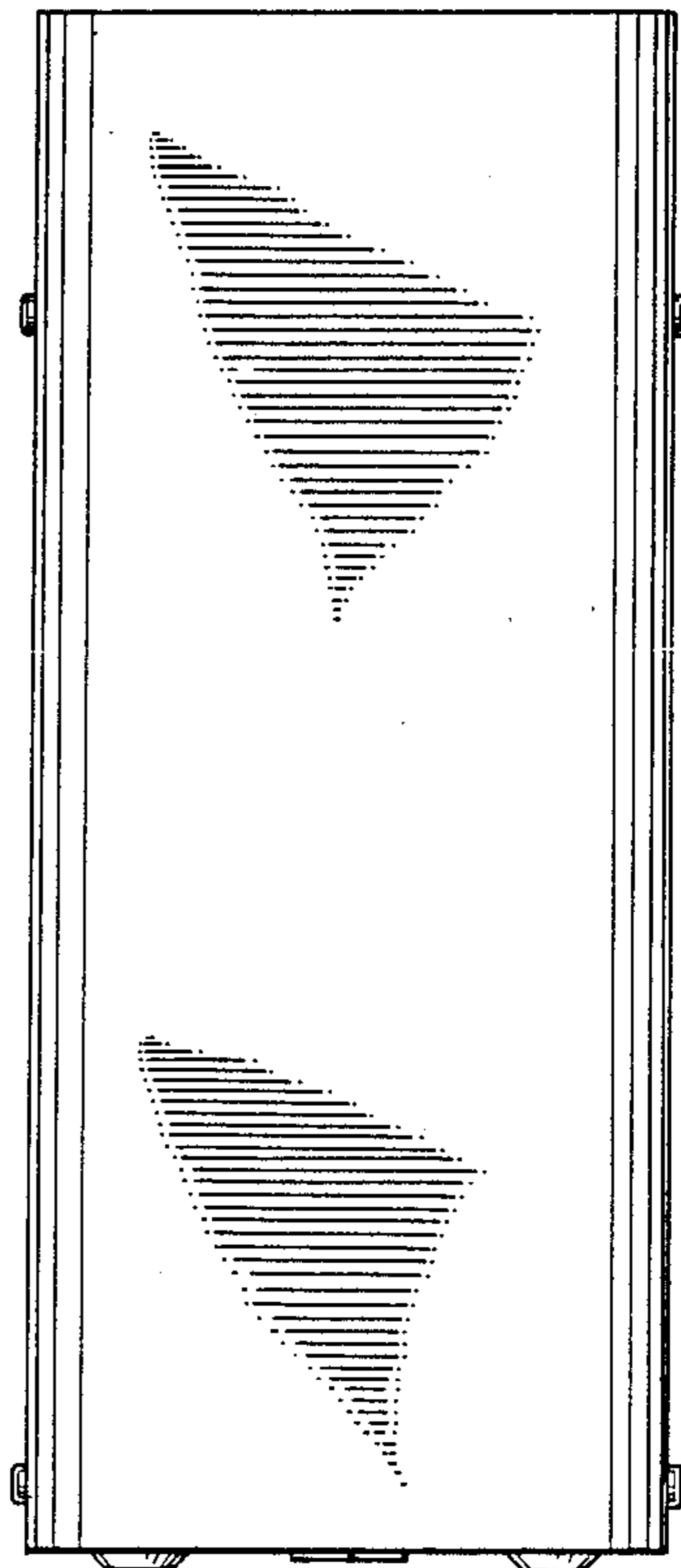


FIG. 7