

[54] HEIGHT ADAPTER FOR A STORAGE BATTERY CONTAINER

[75] Inventors: Rex E. Luzader, Wyomissing; David B. Beidler, Gilbertsville, both of Pa.

[73] Assignee: General Battery Corporation, Reading, Pa.

[**] Term: 14 Years

[21] Appl. No.: 56,524

[22] Filed: May 29, 1987

[52] U.S. Cl. D13/119

[58] Field of Search D13/103, 119; D34/38, D34/40; 248/346, 351, 503; 429/175, 176, 179; 180/68.5

[56] References Cited

U.S. PATENT DOCUMENTS

D. 269,868	7/1983	Seltzer et al.	D13/119
D. 290,778	7/1989	Tabler	D34/40
D. 292,633	11/1987	Kreeger	D34/40
4,682,751	7/1987	Tamas	248/503

FOREIGN PATENT DOCUMENTS

2142292	1/1985	United Kingdom	180/68.5
---------	--------	----------------------	----------

Primary Examiner—James M. Gandy
Assistant Examiner—Joel Sincavage

Attorney, Agent, or Firm—Benasutti

[57] CLAIM

The ornamental design for a height adapter for a storage battery container, as shown and described.

DESCRIPTION

FIG. 1 is a front perspective view of a height adapter for a storage battery container showing our new design, the broken line showing of the storage battery is an environmental element included for illustrative purposes only and forms no part of the claimed design;

FIG. 2 is a top plan view thereof;

FIG. 3 is a bottom plan view thereof;

FIG. 4 is a front elevational view thereof, the rear elevational view being a mirror image;

FIG. 5 is a left side elevational view thereof, the right side elevational view being a mirror image;

FIG. 6 is a front perspective view of a height adapter for a storage battery container showing a second embodiment of our new design, the broken line showing of the storage battery is an environmental element included for illustrative purposes only and forms no part of the claimed design;

FIG. 7 is a top plan view thereof;

FIG. 8 is a bottom plan view thereof;

FIG. 9 is a front elevational view thereof, the rear elevational view being a mirror image;

FIG. 10 is a left side elevational view thereof, the right side elevational view being a mirror image.

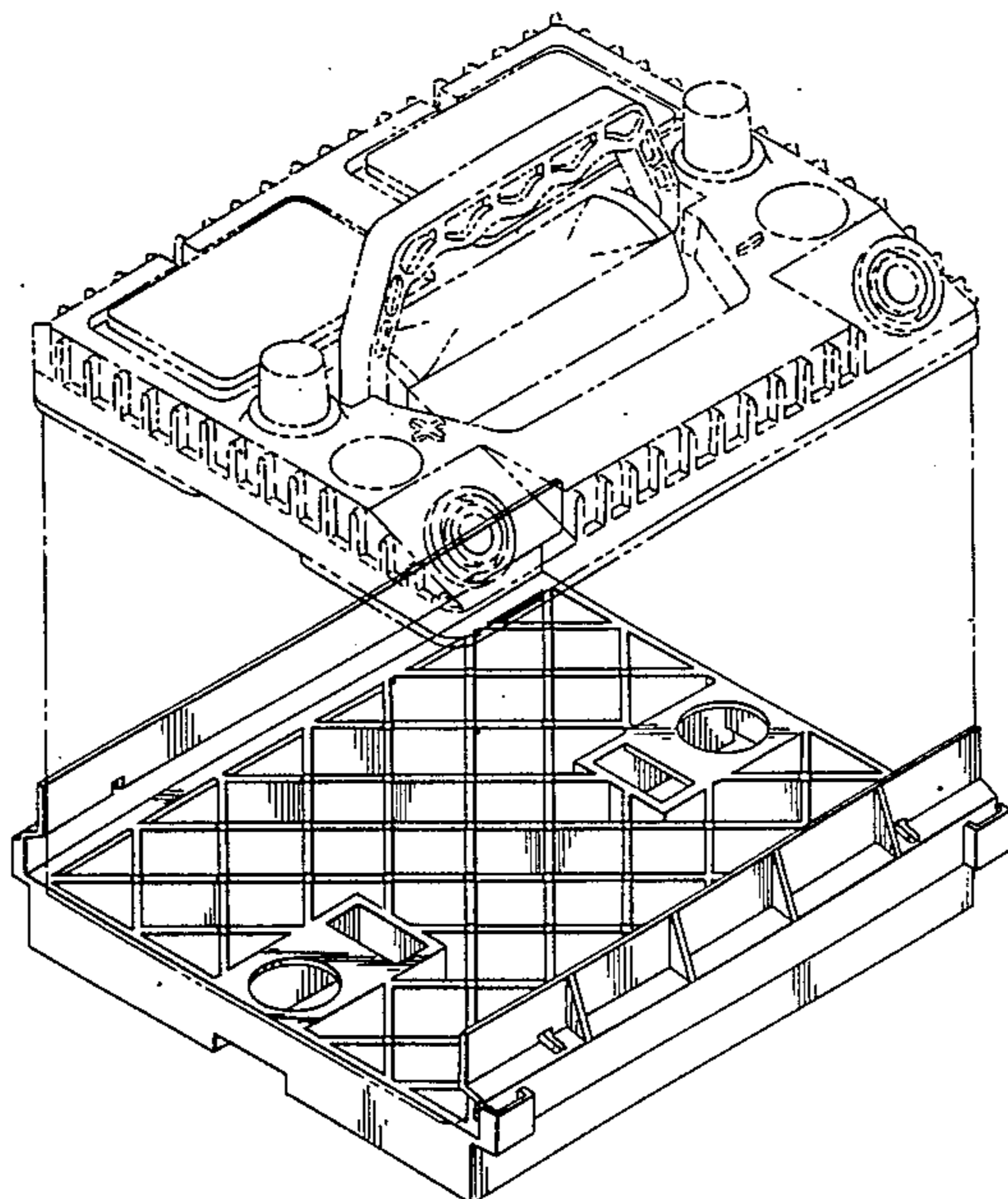


FIG. 1

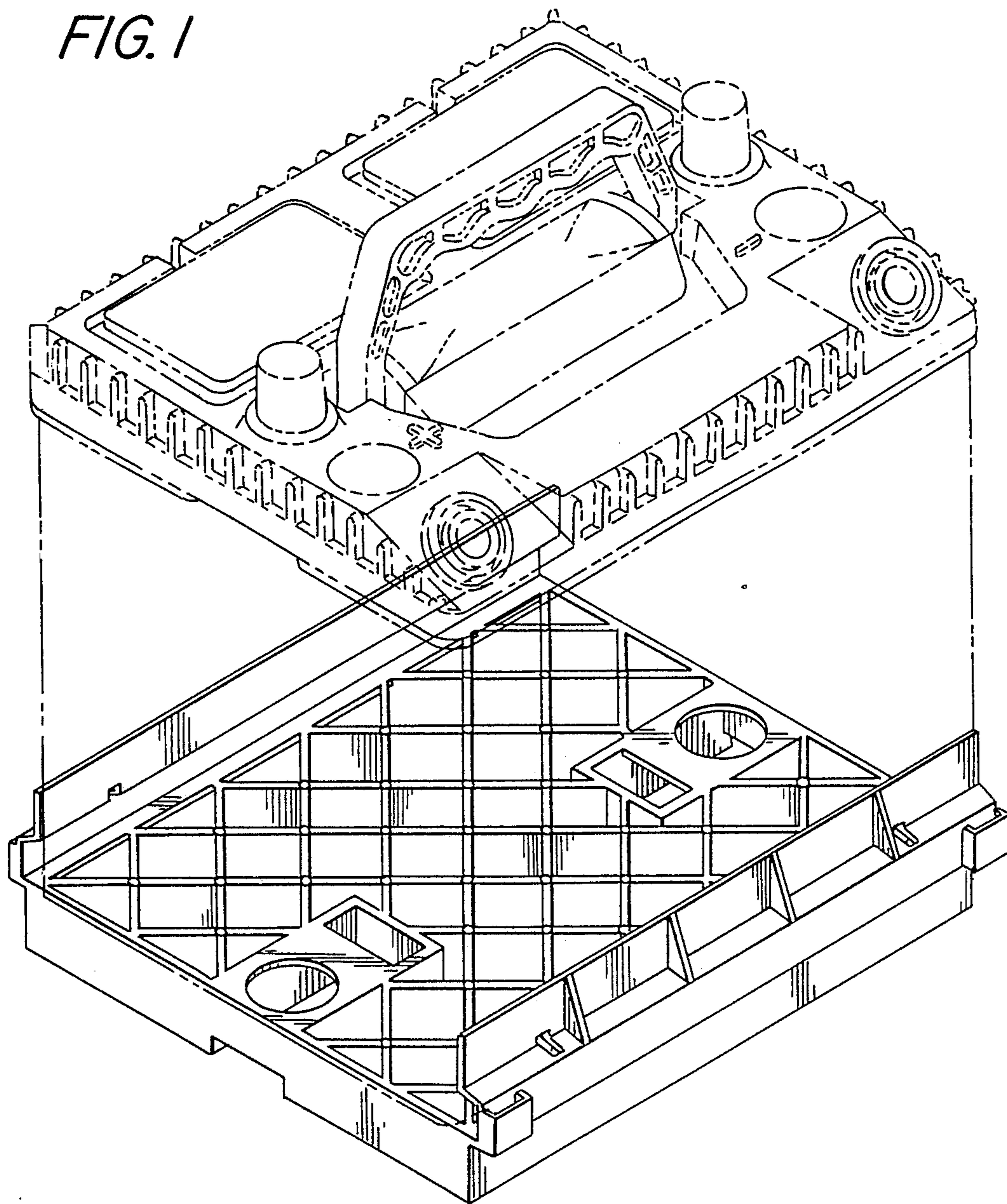


FIG. 2

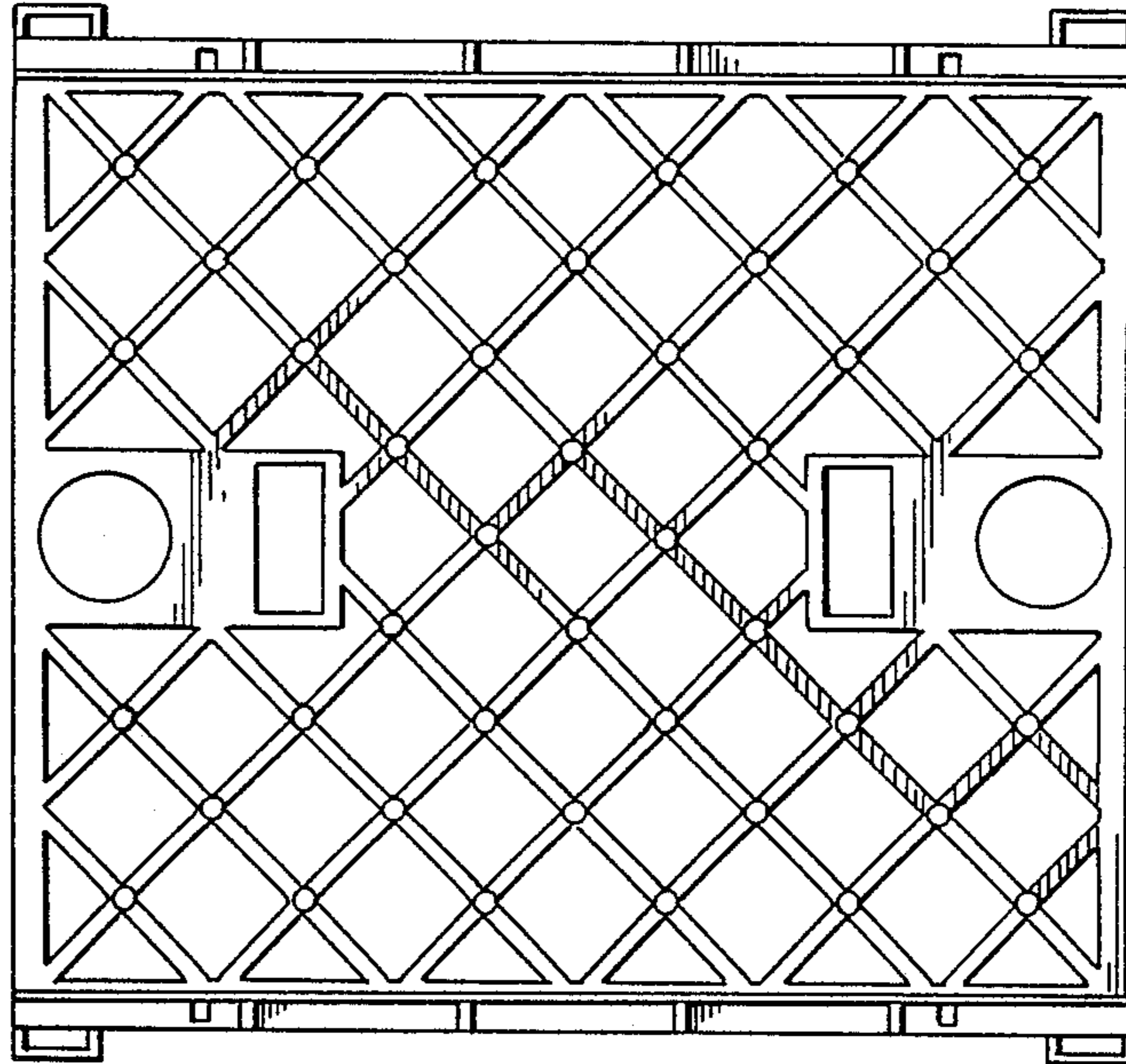


FIG. 3

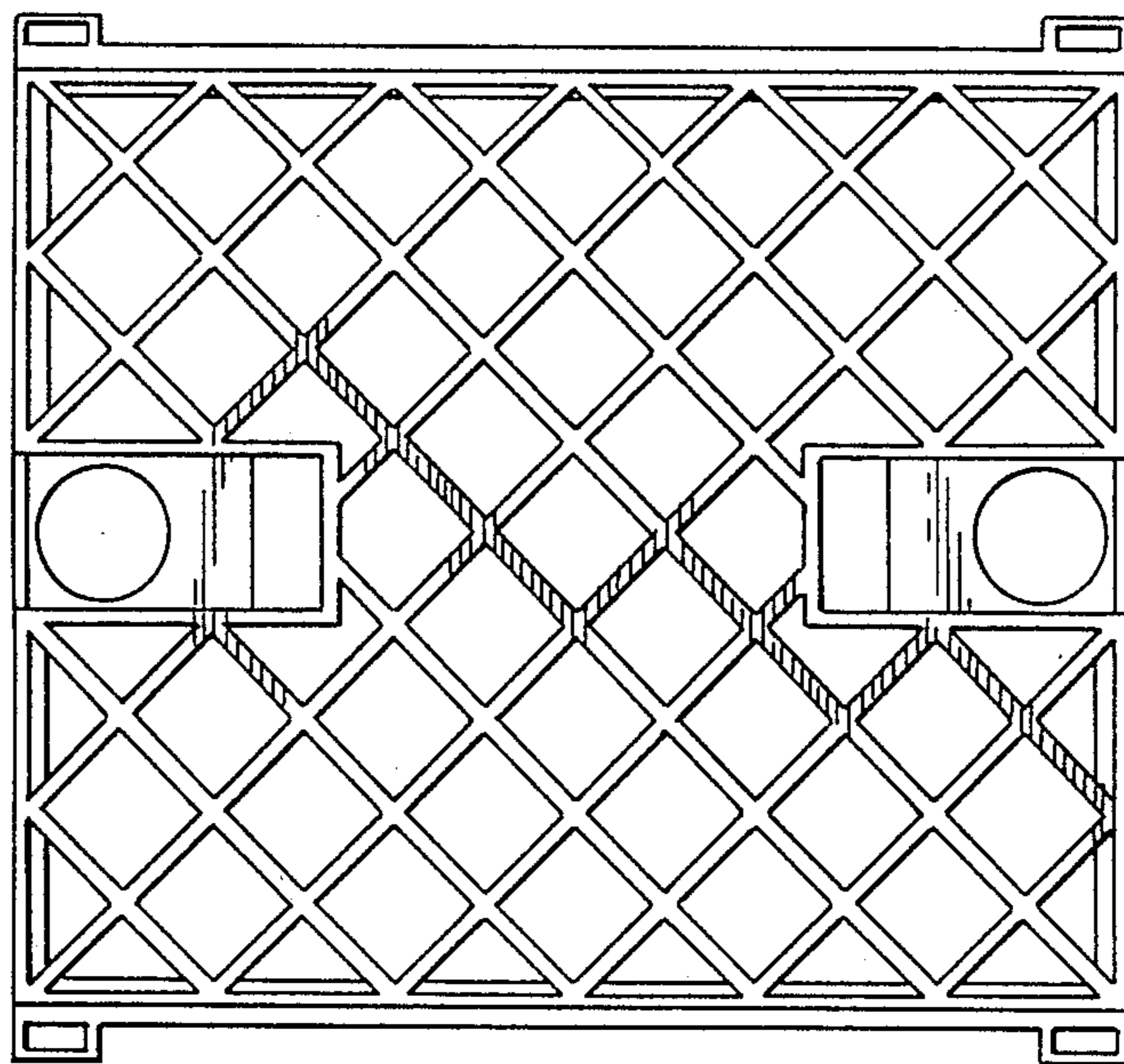


FIG. 4

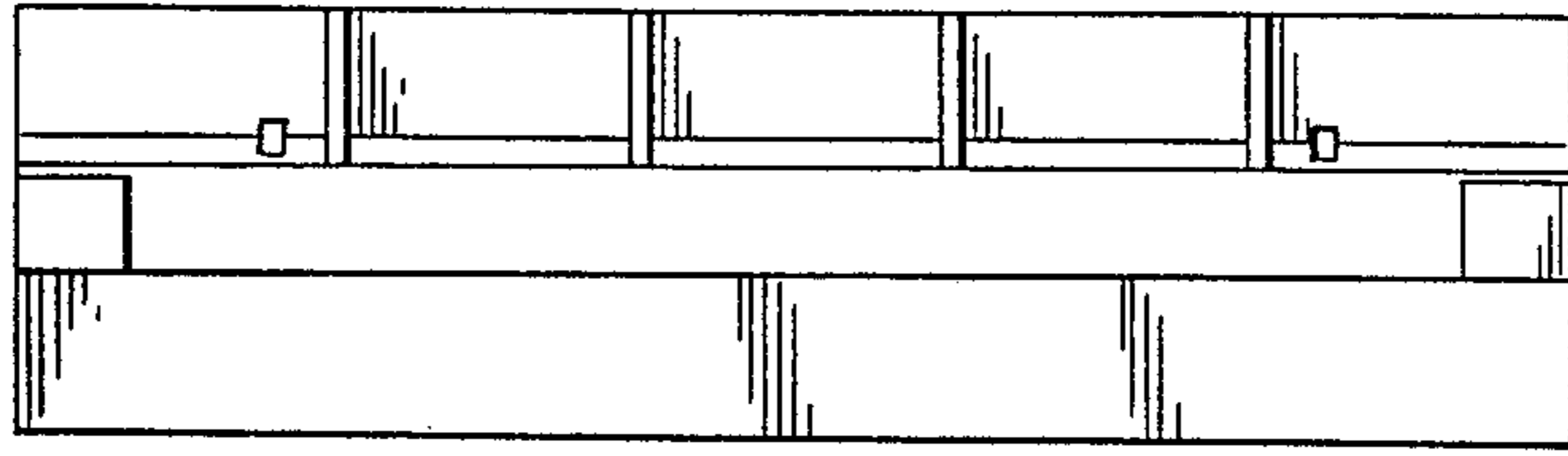


FIG. 5

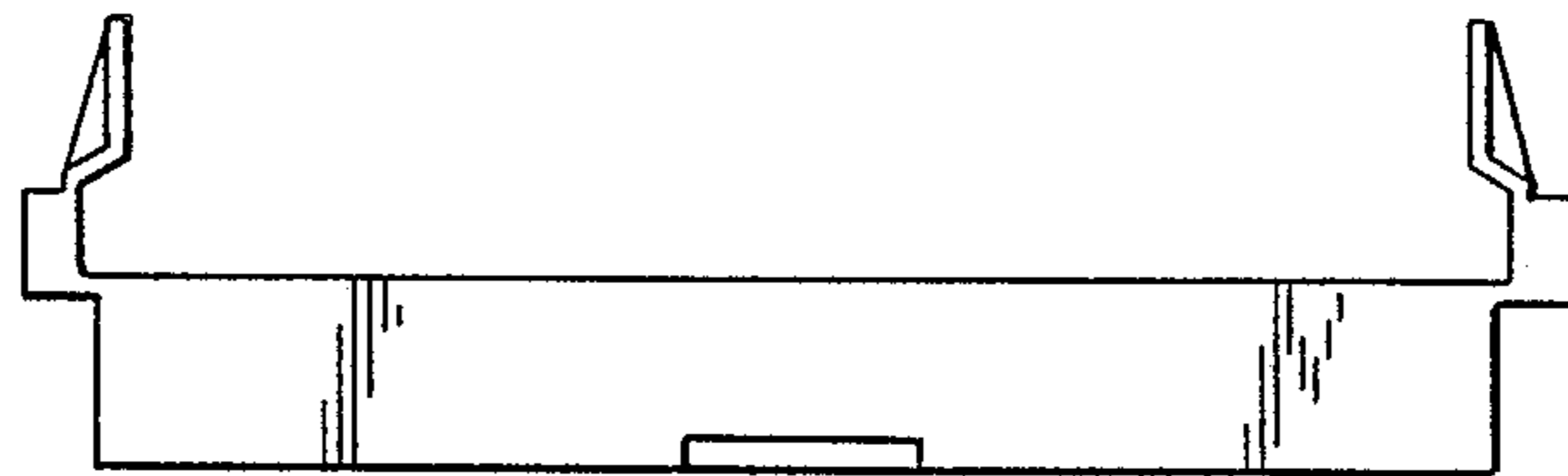


FIG. 6

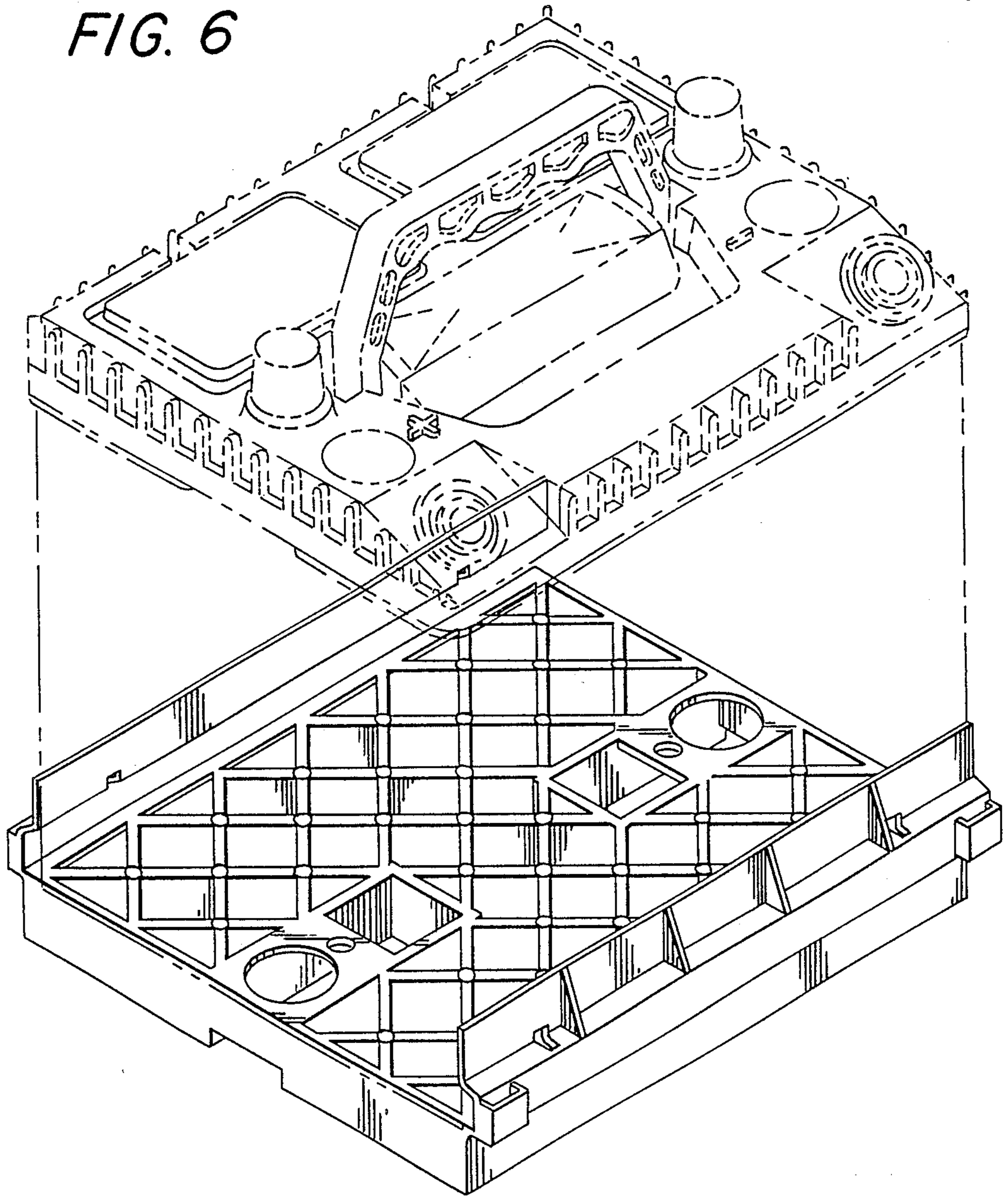


FIG. 7

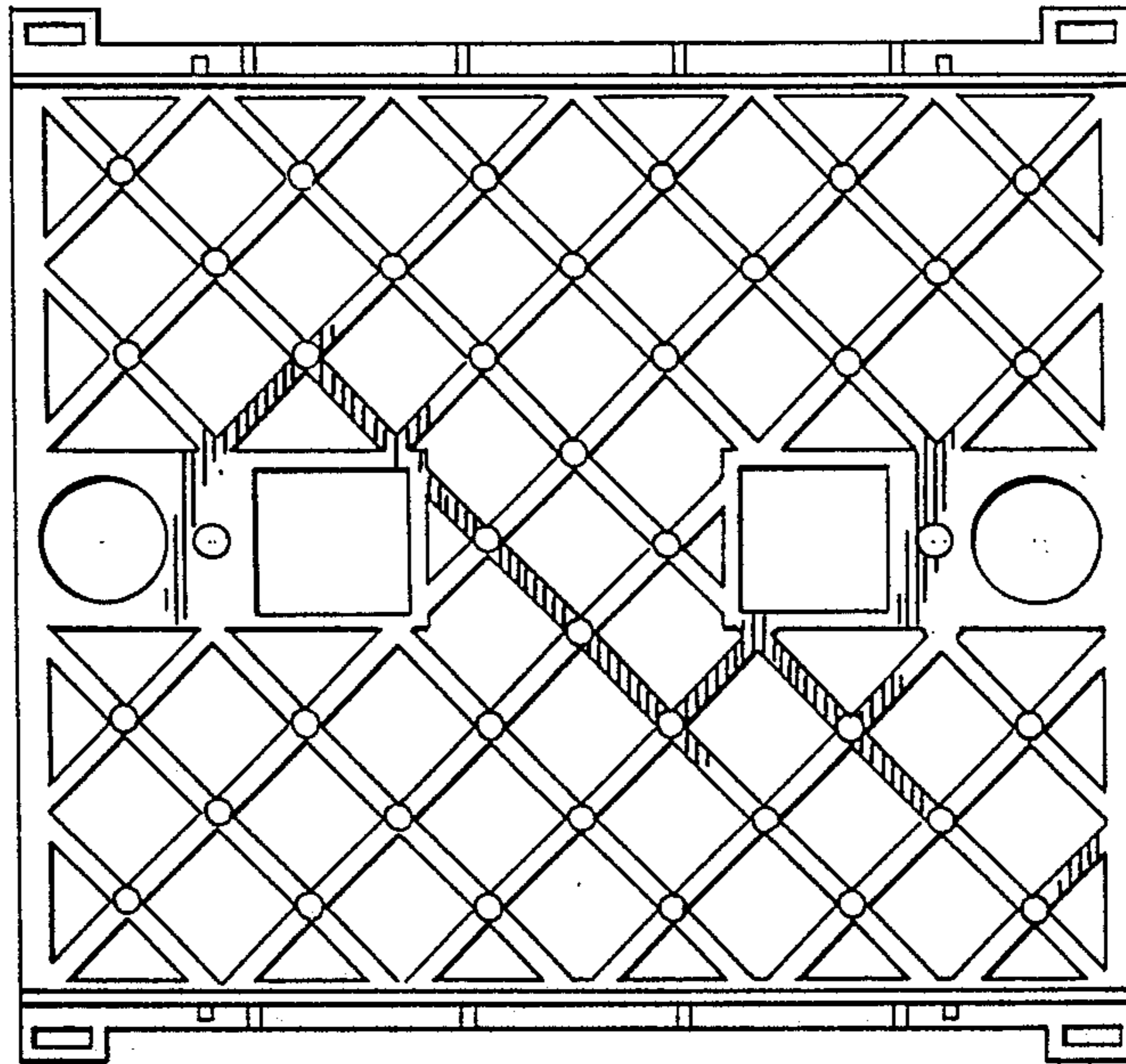


FIG. 8

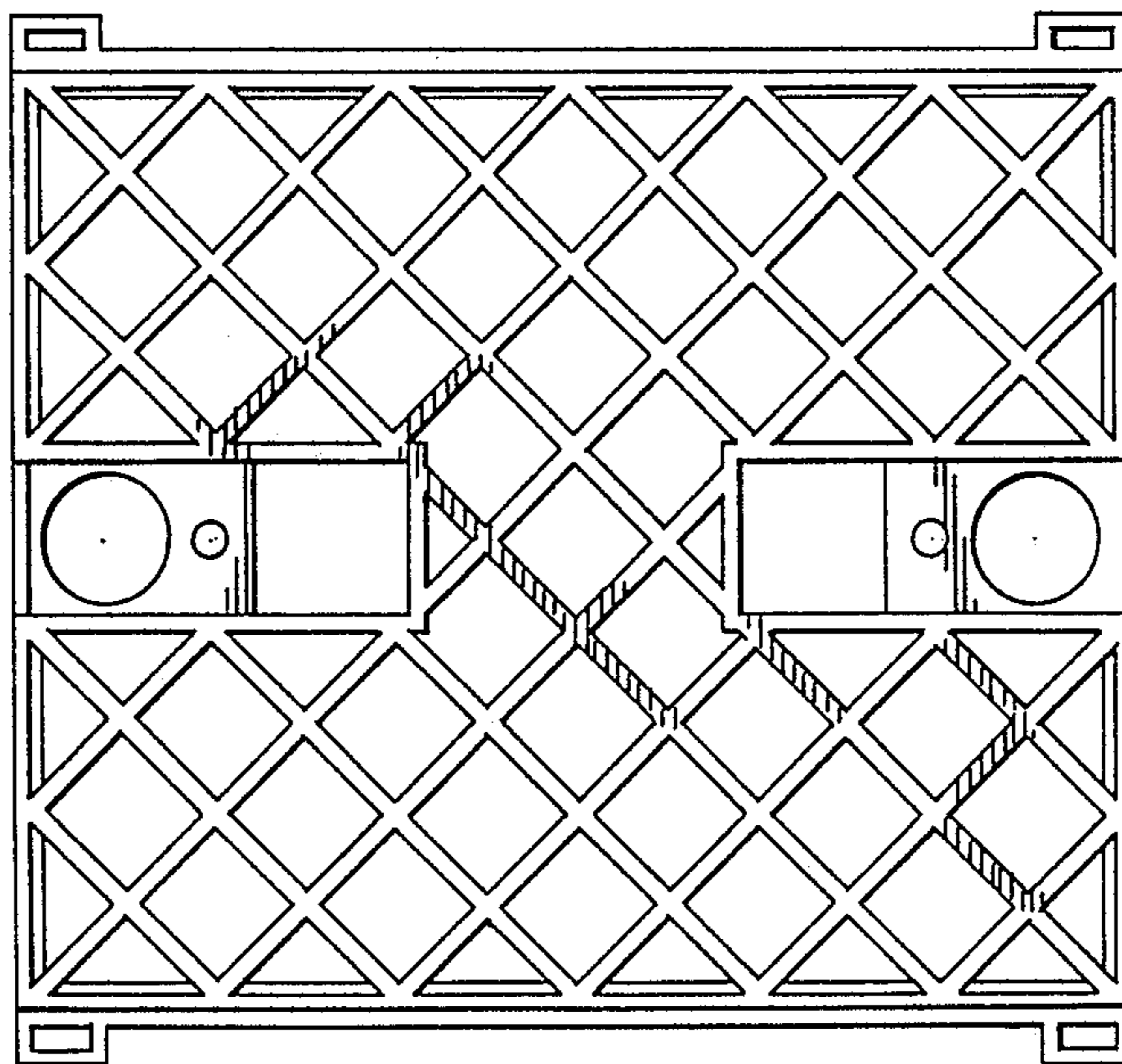


FIG. 9

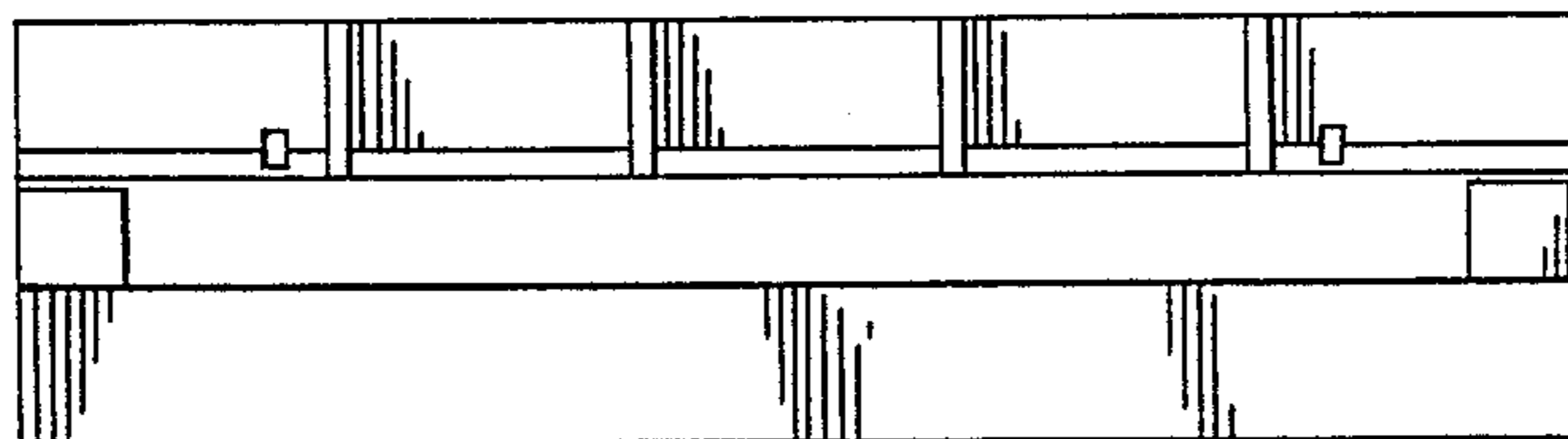


FIG. 10

