

[54] **BICYCLE BRAKE SHOE**

[75] **Inventor:** Richard C. Everett, Lake Oswego, Oreg.

[73] **Assignee:** Kool Stop International, Inc., Lake Oswego, Oreg.

[\*\*] **Term:** 14 Years

[21] **Appl. No.:** 30,226

[22] **Filed:** Mar. 26, 1987

[52] **U.S. Cl.** ..... D12/180

[58] **Field of Search** ..... D12/180; D2/308, 309, D2/310, 313; 188/24.12, 24.13, 24.14

[56] **References Cited**

**U.S. PATENT DOCUMENTS**

- D. 229,989 1/1974 Sedley ..... D2/310
- D. 242,401 11/1976 Wunsch ..... D2/310
- D. 295,847 5/1988 Everett ..... D12/180

**OTHER PUBLICATIONS**

American Bicyclist & Motorcyclist, Jul. 1986, p. 39, Kool-Stop [Eagle Claws], Brake Shoes.

American Bicyclist & Motorcyclist, Feb. 1987, p. 77, Kool-Stop [Vans] Brake Shoes.

*Primary Examiner*—James M. Gandy

*Assistant Examiner*—Melody Brown

*Attorney, Agent, or Firm*—Edward E. Roberts

[57] **CLAIM**

The ornamental design for a bicycle brake shoe, as shown and described.

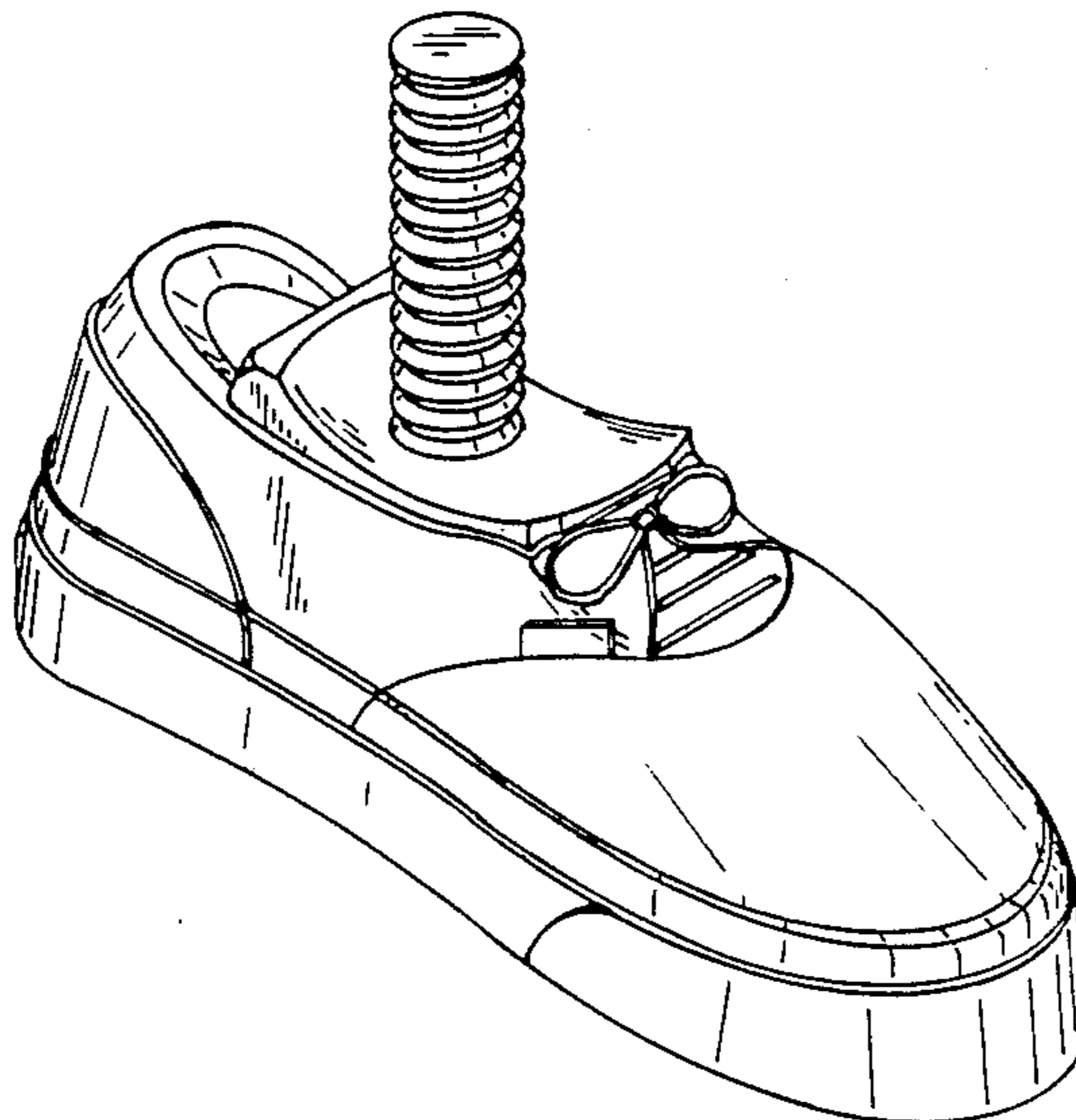
**DESCRIPTION**

FIG. 1 is a perspective view of a bicycle brake shoe showing my new design;

FIG. 2 is a left side elevational view thereof;

FIG. 3 is a rear elevational view thereof; and

FIG. 4 is a bottom plan view thereof.



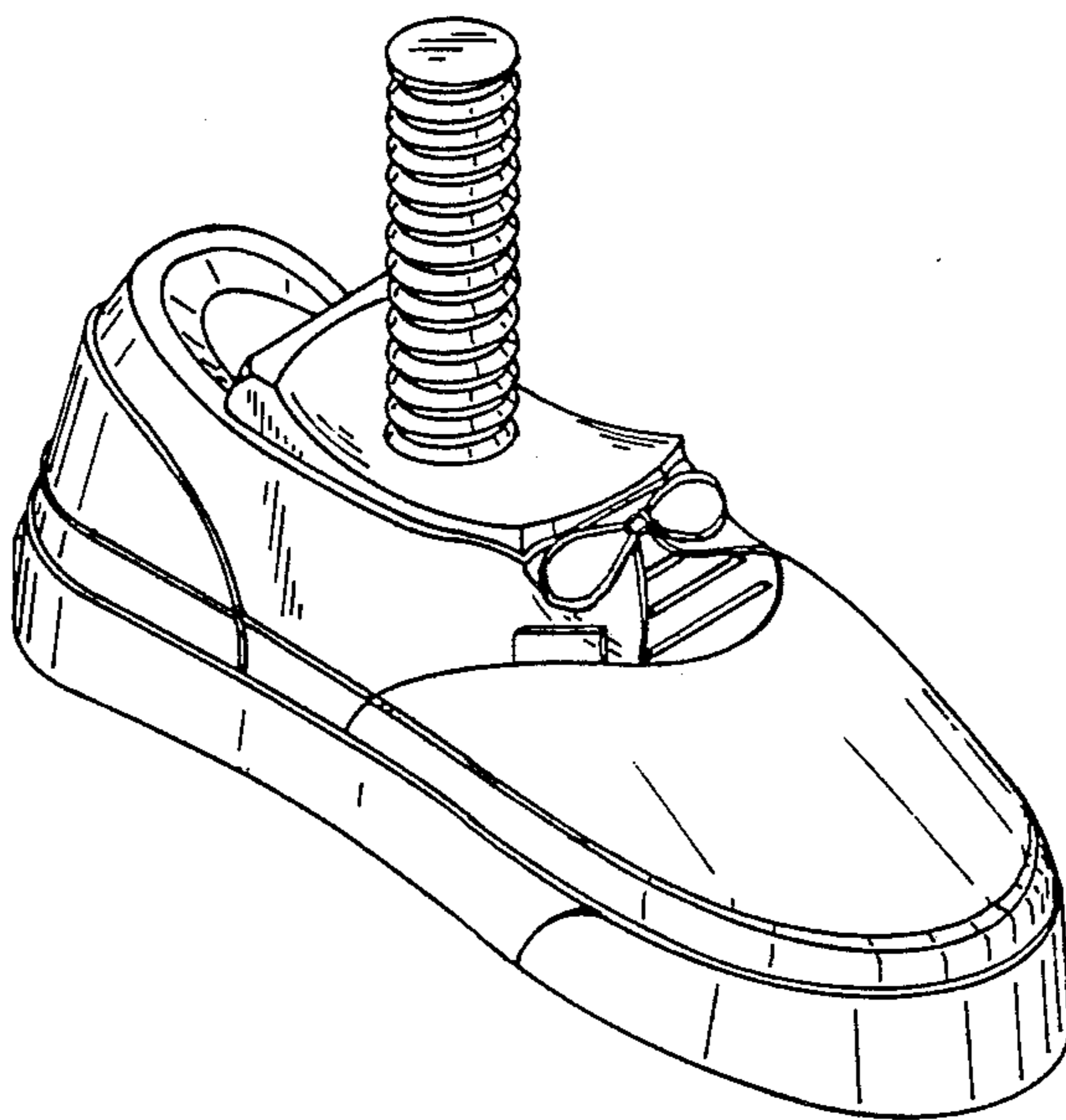


FIG. 1

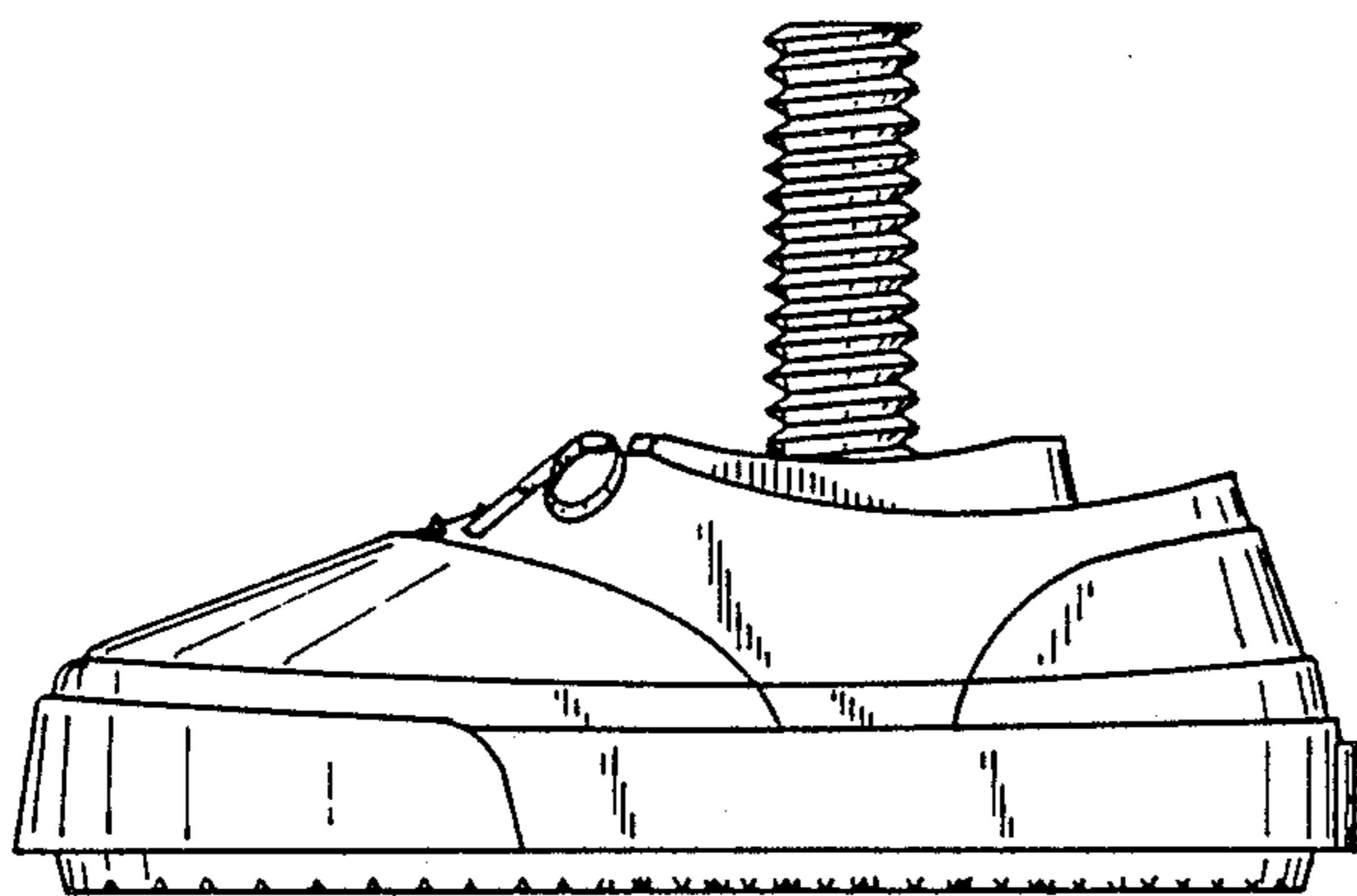


FIG. 2

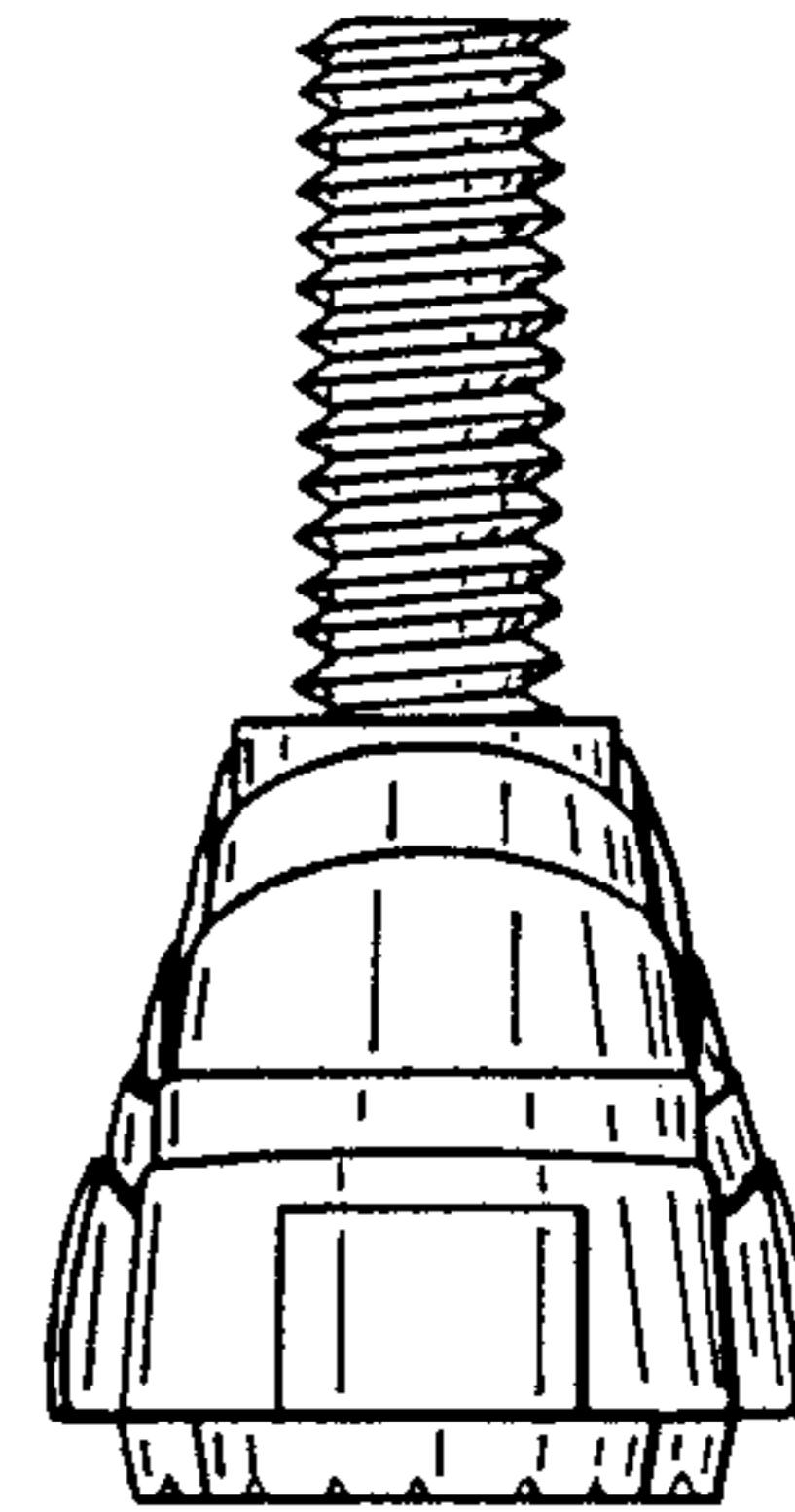


FIG. 3

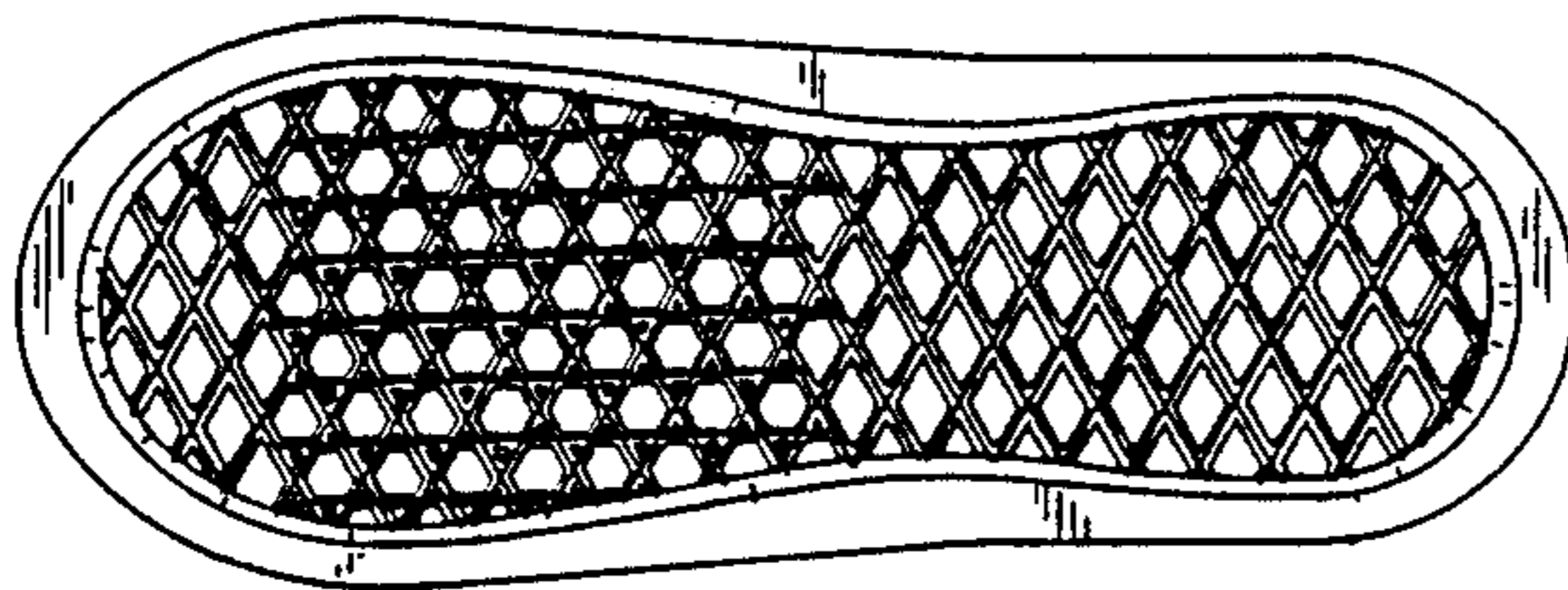


FIG. 4