

[54] VEHICLE REAR BUMPER

[76] Inventors: Steven D. Hensley; Barney D. Hensley, both of P.O. Box 486, Aztec, N. Mex. 87410

[\*\*] Term: 14 Years

[21] Appl. No.: 155,644

[22] Filed: Feb. 12, 1988

[52] U.S. Cl. .... D12/169

[58] Field of Search ..... D12/169; 293/102, 106, 293/126, 128

[56] References Cited

U.S. PATENT DOCUMENTS

D. 157,321	2/1950	Barden	.....	D12/169
D. 181,017	9/1957	Oliver, Jr.	.....	D12/169
2,993,721	7/1961	Bowman	.....	293/106

Primary Examiner—James M. Gandy  
Attorney, Agent, or Firm—James F. Duffy

[57] CLAIM

The ornamental design for a vehicle rear bumper, as shown and described.

DESCRIPTION

FIG. 1 is a perspective view of a vehicle rear bumper showing our new design it being understood that the broken lines are for illustrative purposes only and form no part of the claimed design;

FIG. 2 is an enlarged top plan view thereof;

FIG. 3 is a front elevation view of FIG. 2;

FIG. 4 is a rear elevation view of FIG. 2;

FIG. 5 is a bottom plan view of FIG. 2;

FIG. 6 is a right side elevation view of FIG. 2; and

FIG. 7 is a left side elevation view of FIG. 2.

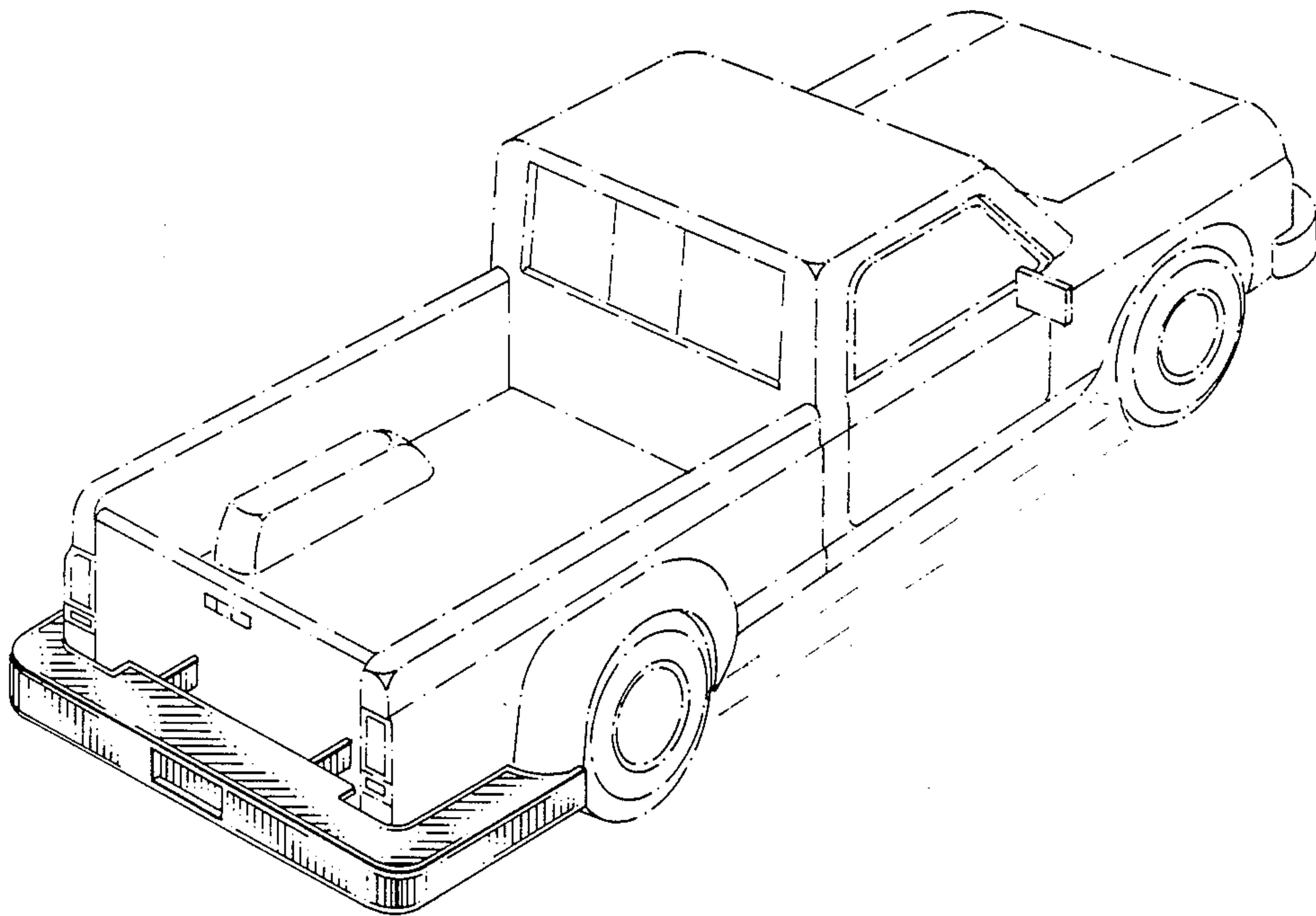


FIG. 1

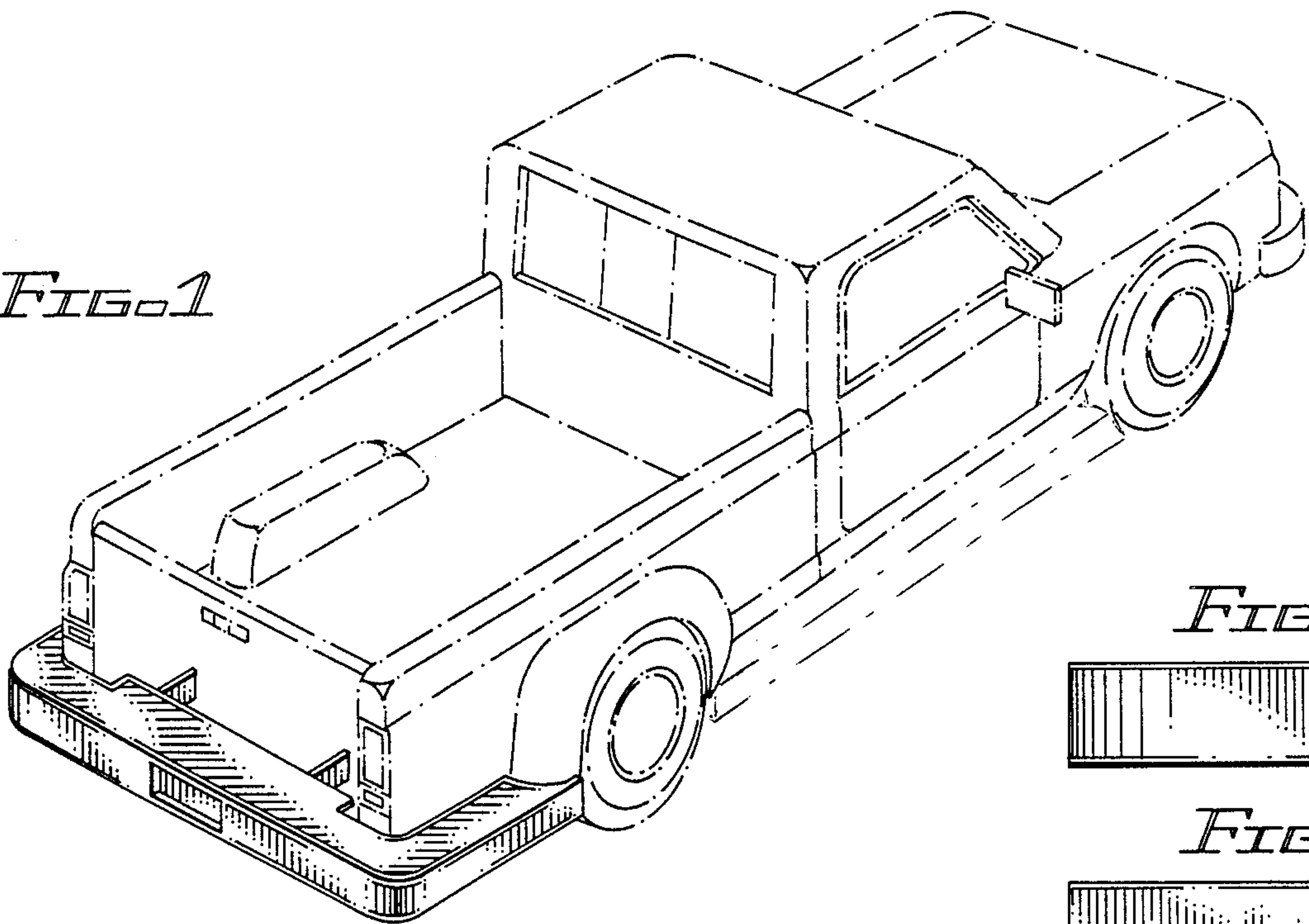


FIG. 6

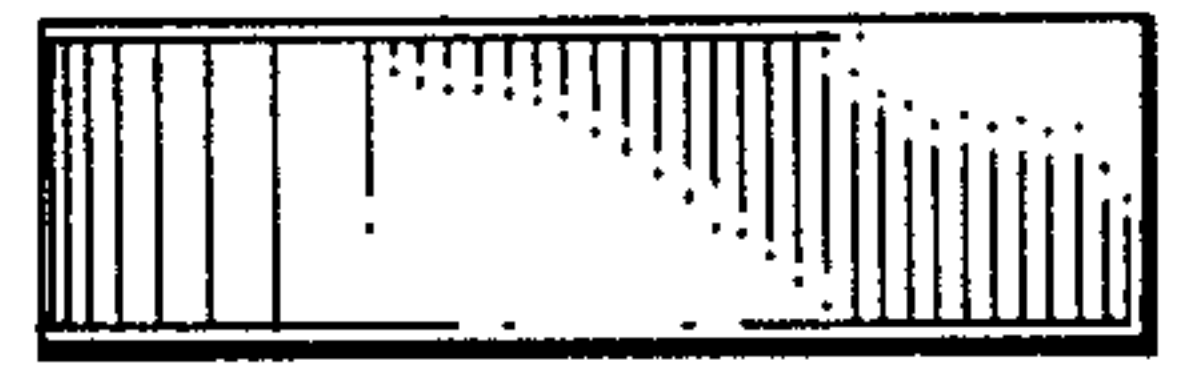


FIG. 7

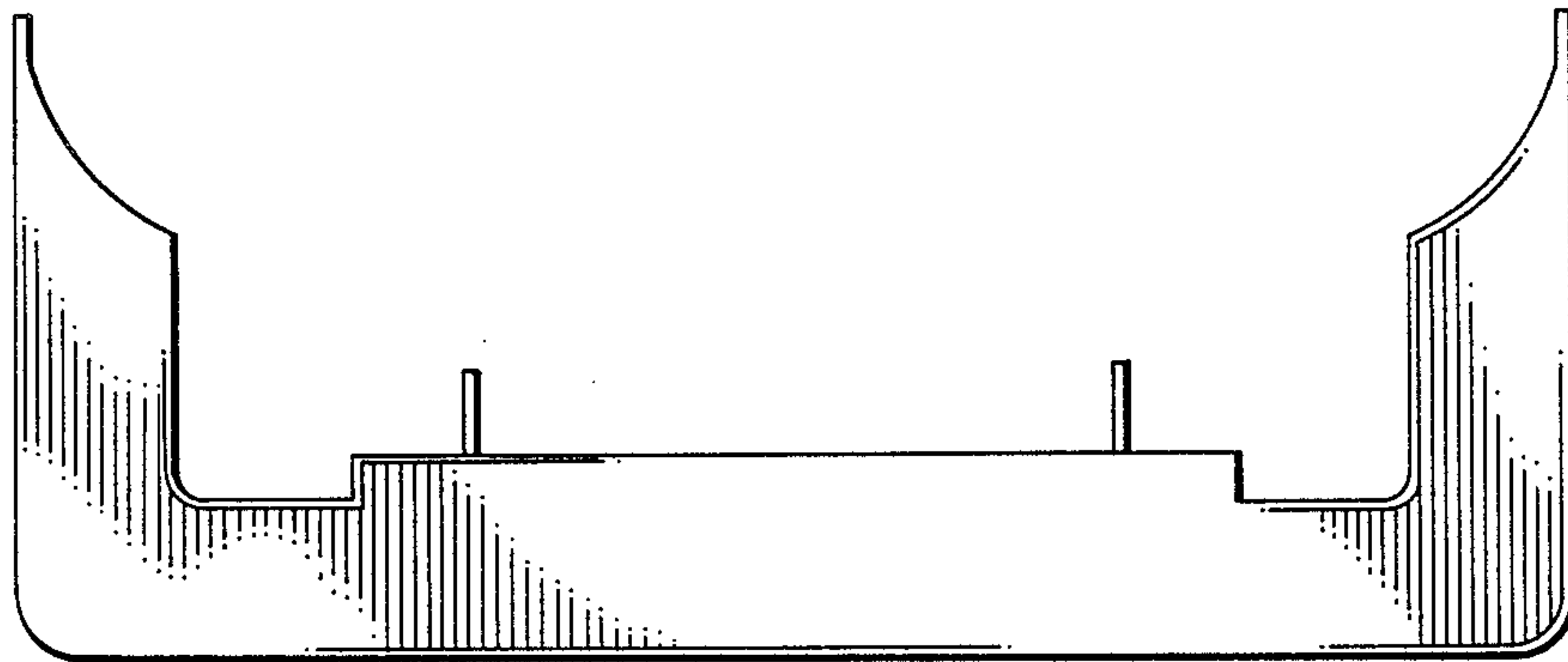
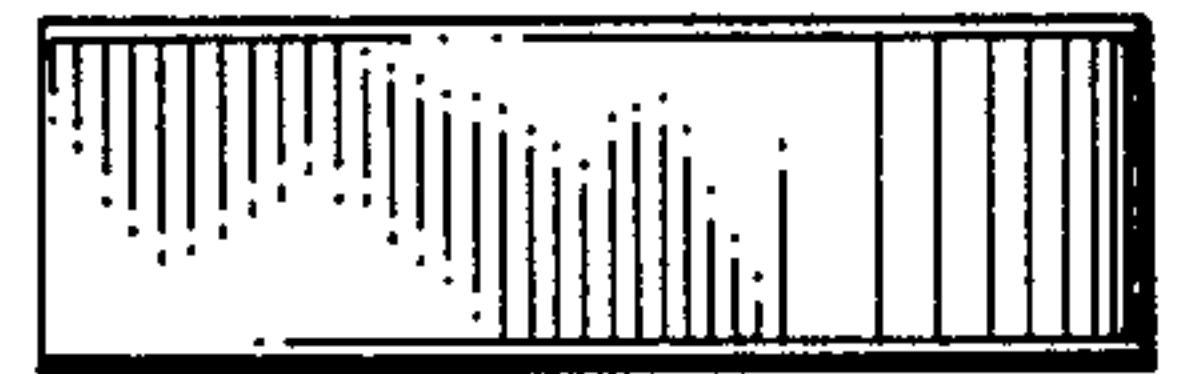


FIG. 2



FIG. 3

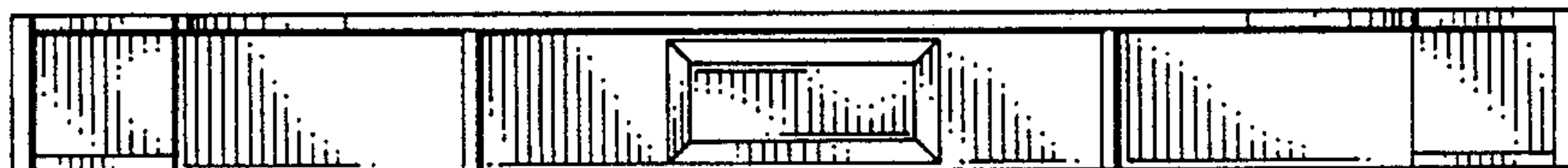


FIG. 4



FIG. 5