

[54] BICYCLE TRAINER

[75] Inventor: Joe Kagayama, Osaka, Japan

[73] Assignee: Cat Eye Co., Ltd., Osaka, Japan

[**] Term: 14 Years

[21] Appl. No.: 196,082

[22] Filed: May 19, 1988

[30] Foreign Application Priority Data

Nov. 20, 1987 [JP] Japan 62-47782

[52] U.S. Cl. D12/115

[58] Field of Search D12/114, 115; D21/291; 272/73, 73.1, 73.2; 280/281.1, 288.1

[56] References Cited

U.S. PATENT DOCUMENTS

4,466,797 8/1984 Ray 272/73.1

OTHER PUBLICATIONS

Performance Bicycle Shop Catalog, Winter 1985-1986, p. 20, Blackburn Apex Trainer.

Bicycling Magazine, Feb. 1986, Mark V Trainer.

Bicycling Magazine, Aug. 1985, Racer Mate Trainer.

Performance Bicycle Shop Catalog, Fall 1987, Performance Mag Turbo II Trainer.

Primary Examiner—James M. Gandy

Assistant Examiner—Melody Brown

Attorney, Agent, or Firm—Allegretti & Witcoff, Ltd.

[57] CLAIM

The ornamental design for a bicycle trainer, as shown.

DESCRIPTION

FIG. 1 is a right side elevation view of a bicycle trainer showing my new design;

FIG. 2 is a left side elevation view thereof;

FIG. 3 is a top plan view thereof;

FIG. 4 is a bottom plan view thereof;

FIG. 5 is a rear elevation view thereof; and

FIG. 6 is a front elevation view thereof;

FIG. 7 is a perspective view thereof.

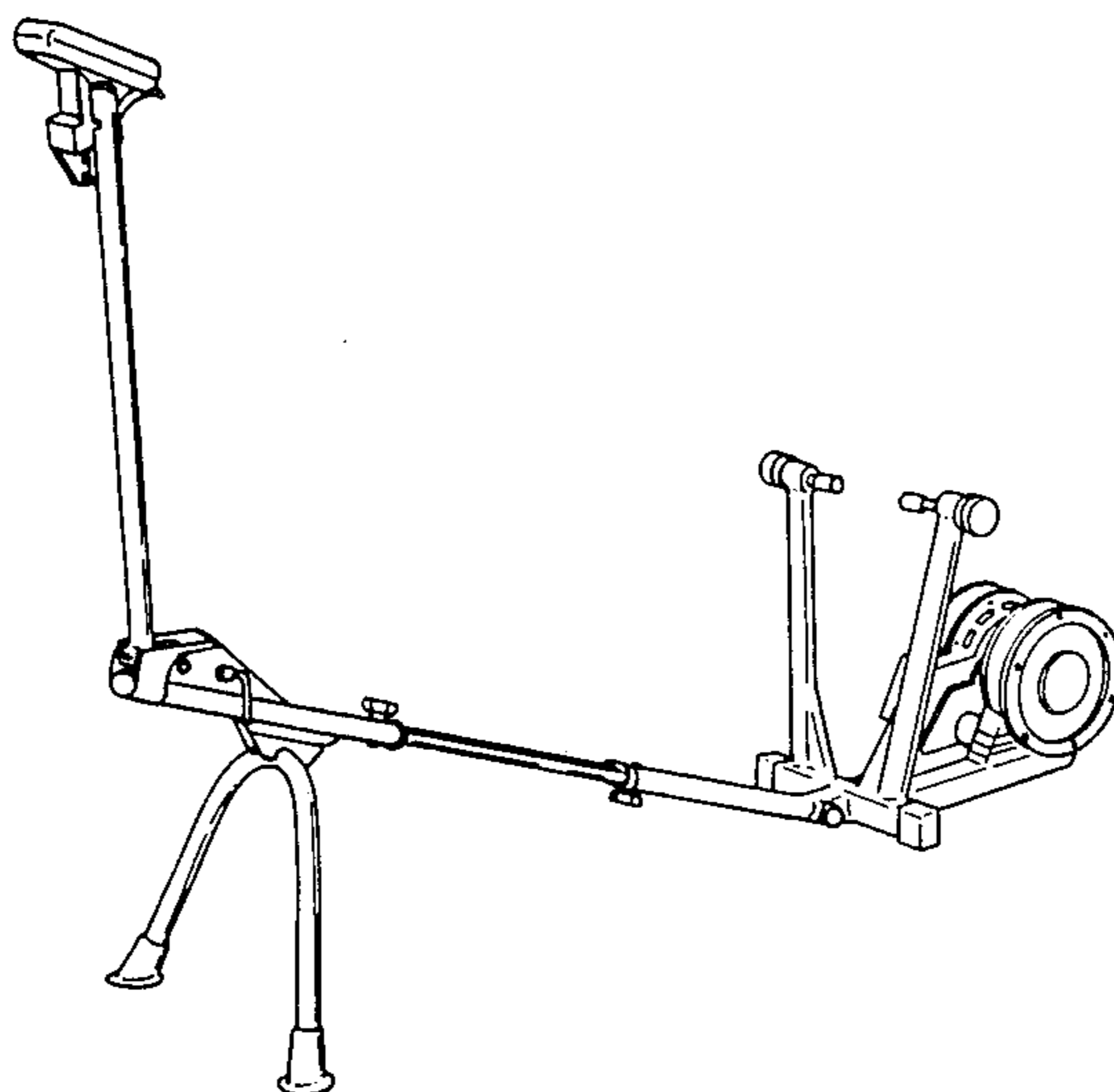


FIG. 3

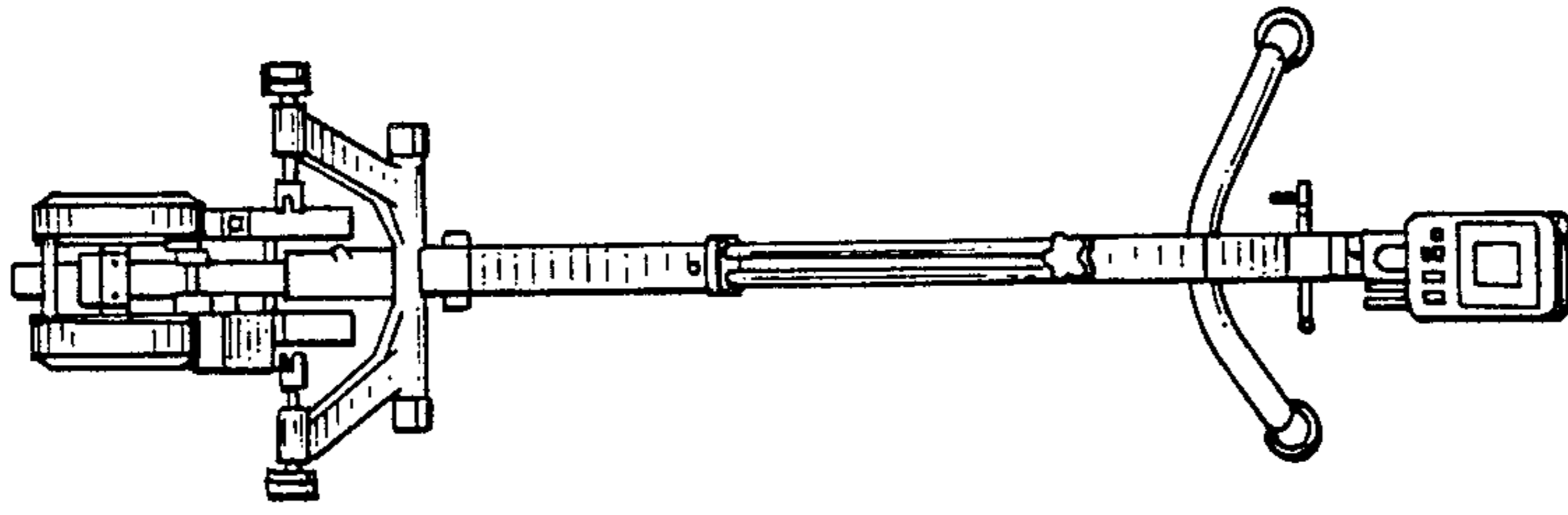


FIG. 1

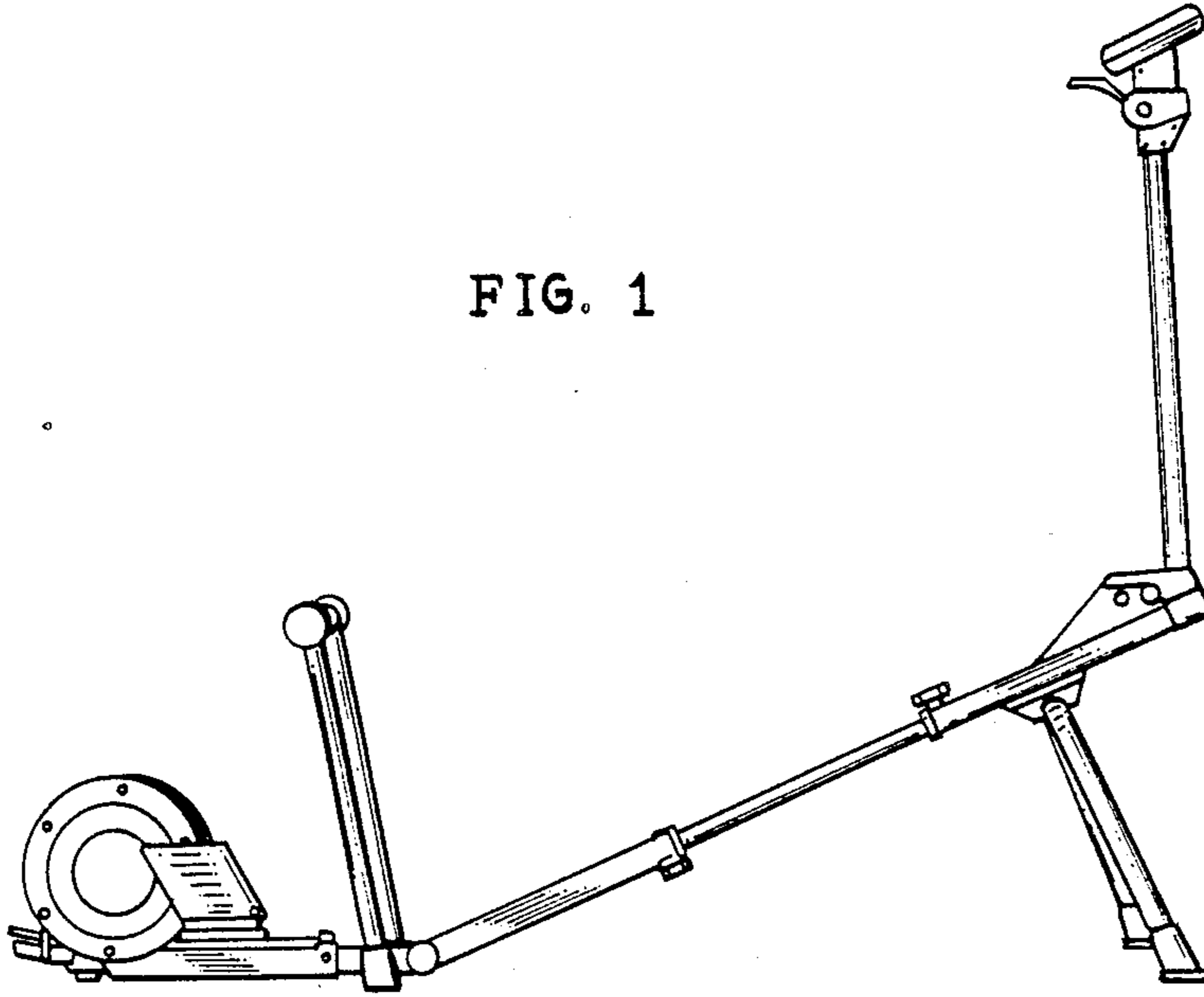


FIG. 4

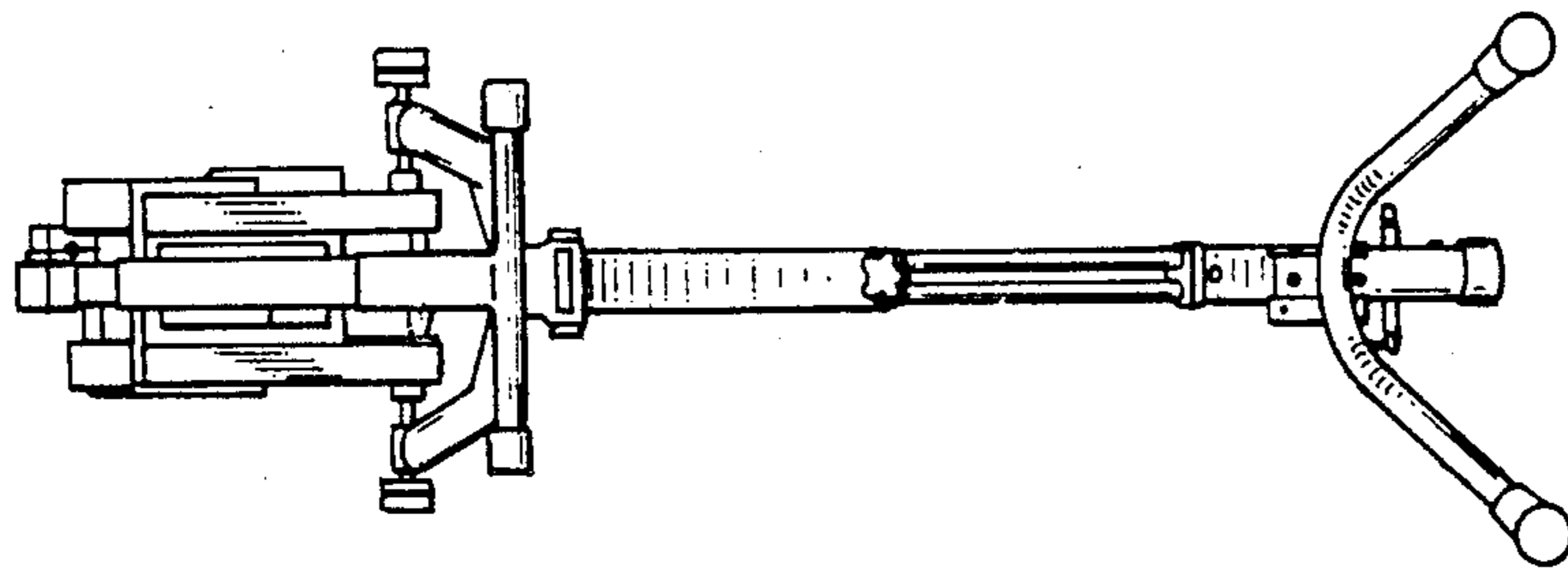


FIG. 2

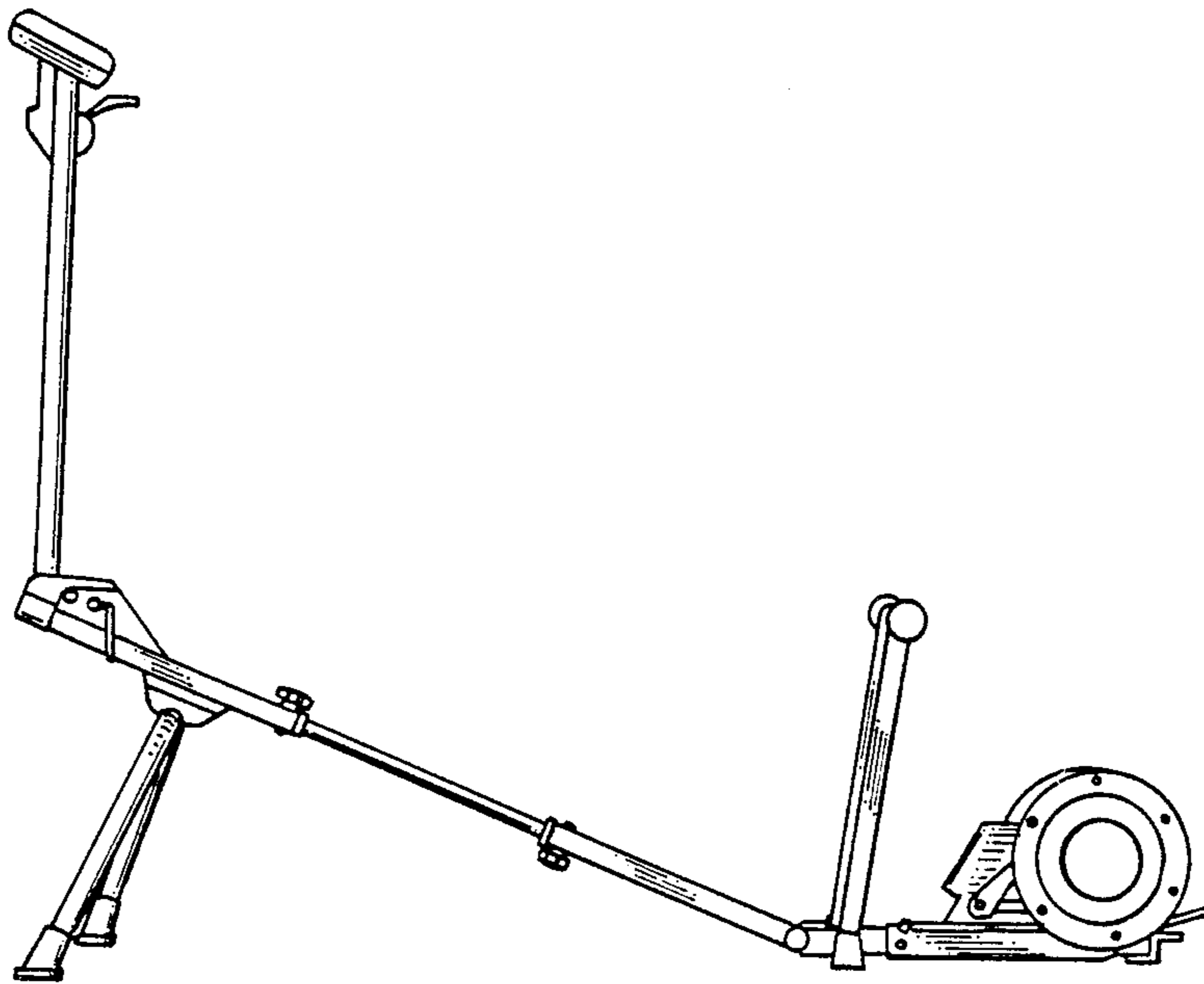


FIG 5

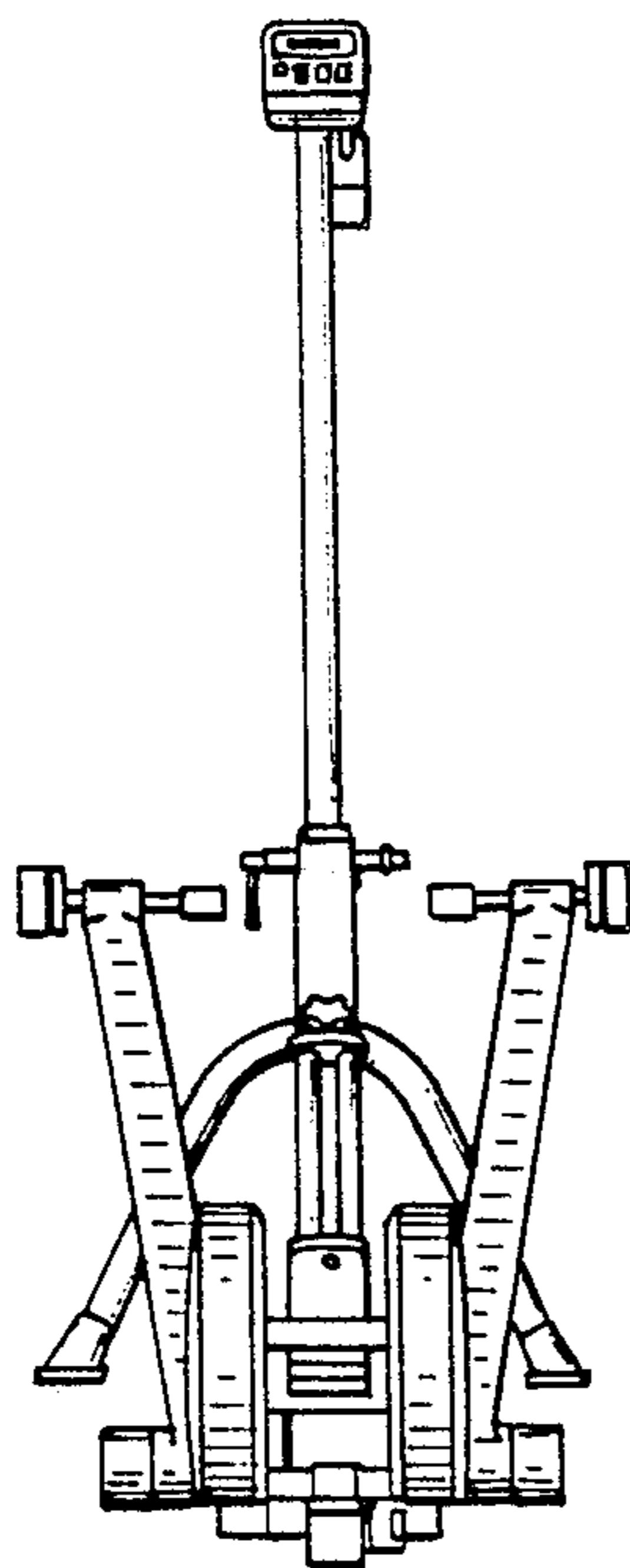


FIG 6

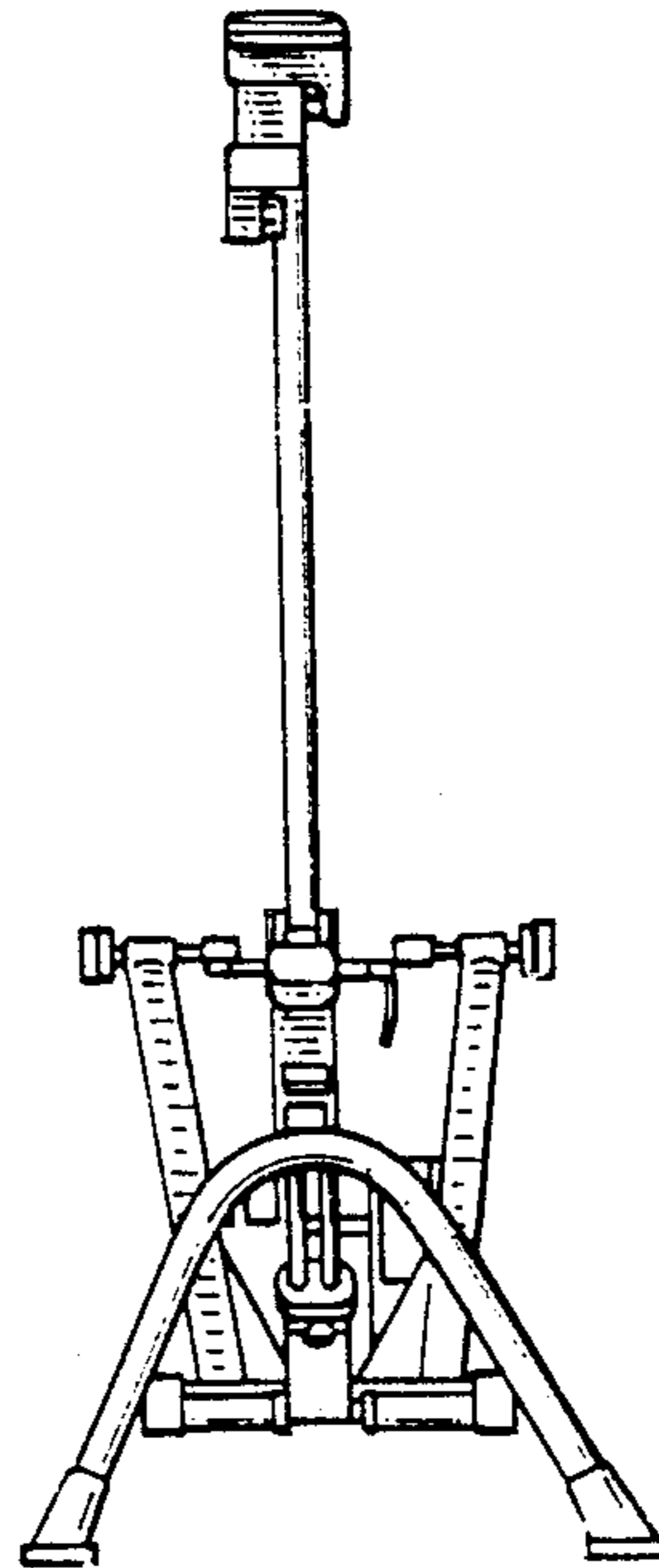


FIG. 7

