

[54] **TRUCK MOUNTED BEVERAGE STATION**

[76] **Inventor: Thomas E. Ollerman, 1749 S. Westwood, Mesa, Ariz. 85202**

[\*\*] **Term: 14 Years**

[21] **Appl. No.: 63,849**

[22] **Filed: Jun. 19, 1987**

[52] **U.S. Cl. .... D12/96**

[58] **Field of Search ..... D12/93, 96; 296/22, 296/183**

[56] **References Cited**

**U.S. PATENT DOCUMENTS**

- D. 196,175 9/1963 Warner ..... D12/96
- D. 196,835 11/1963 Herbst et al. .... D12/96
- 2,771,318 11/1956 Jagsch ..... 296/22

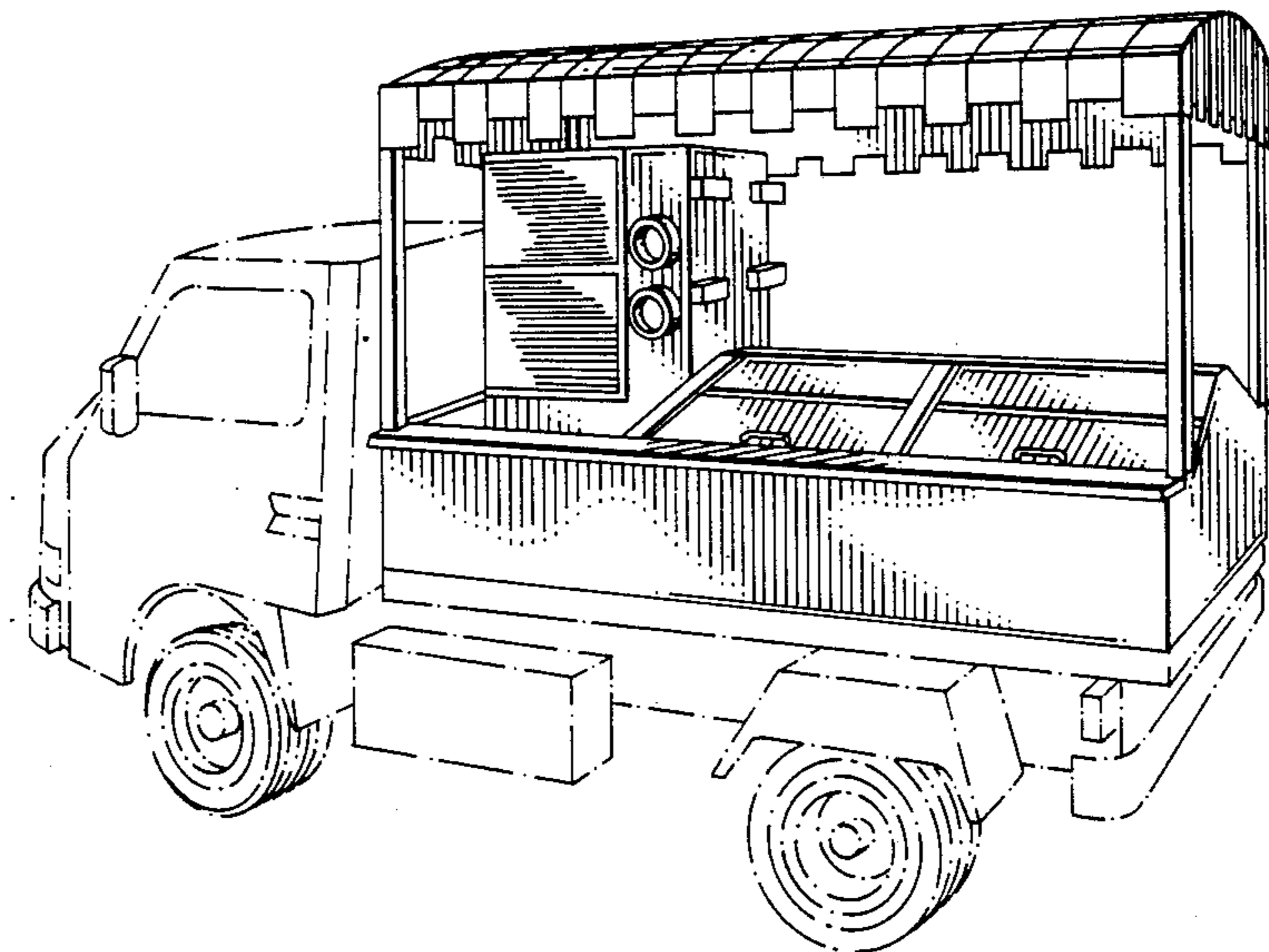
*Primary Examiner—James M. Gandy*  
*Attorney, Agent, or Firm—Cahill, Sutton & Thomas*

[57] **CLAIM**

The ornamental design for a truck mounted beverage station, as shown and described.

**DESCRIPTION**

FIG. 1 is a rear left perspective view of a truck mounted beverage station showing my new design;  
FIG. 2 is an enlarged right front perspective view thereof;  
FIG. 3 is a front elevation view thereof;  
FIG. 4 is a rear elevation view thereof;  
FIG. 5 is a top plan view thereof; and  
FIG. 6 is a bottom plan view thereof on a reduced scale.  
The broken line showing of a truck is for illustrative purposes only and forms no part of the claimed design.



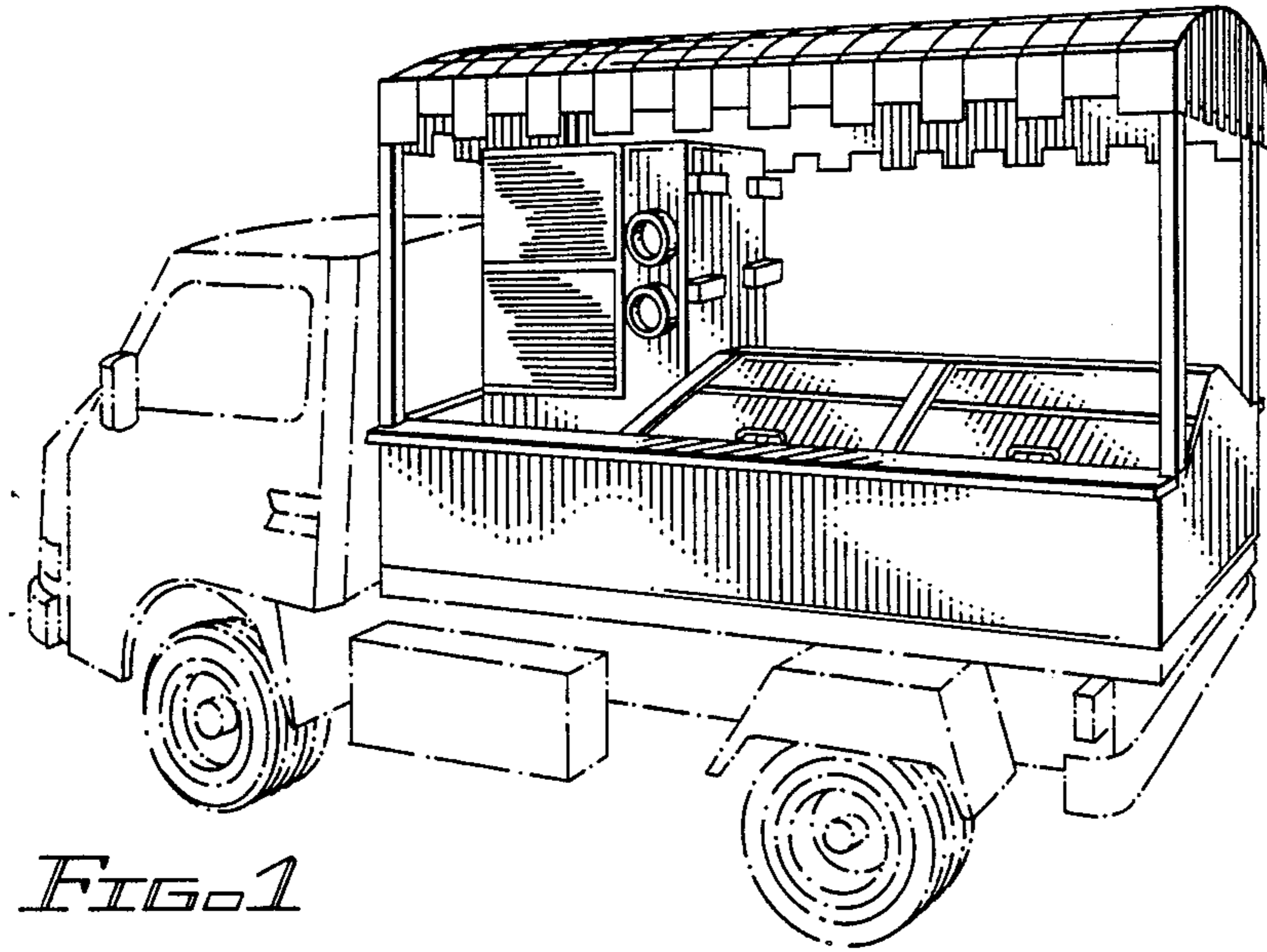


FIG. 1

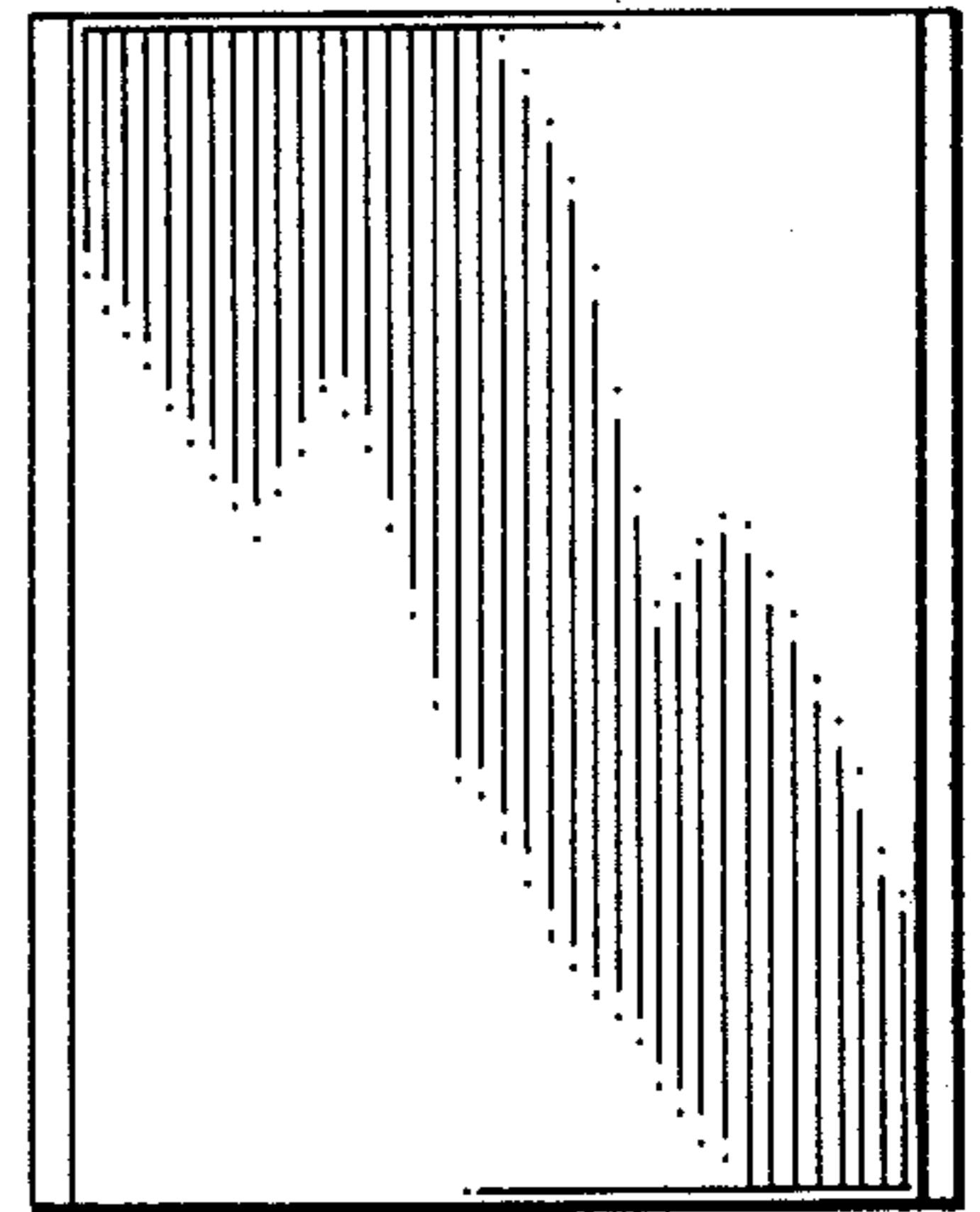


FIG. 6

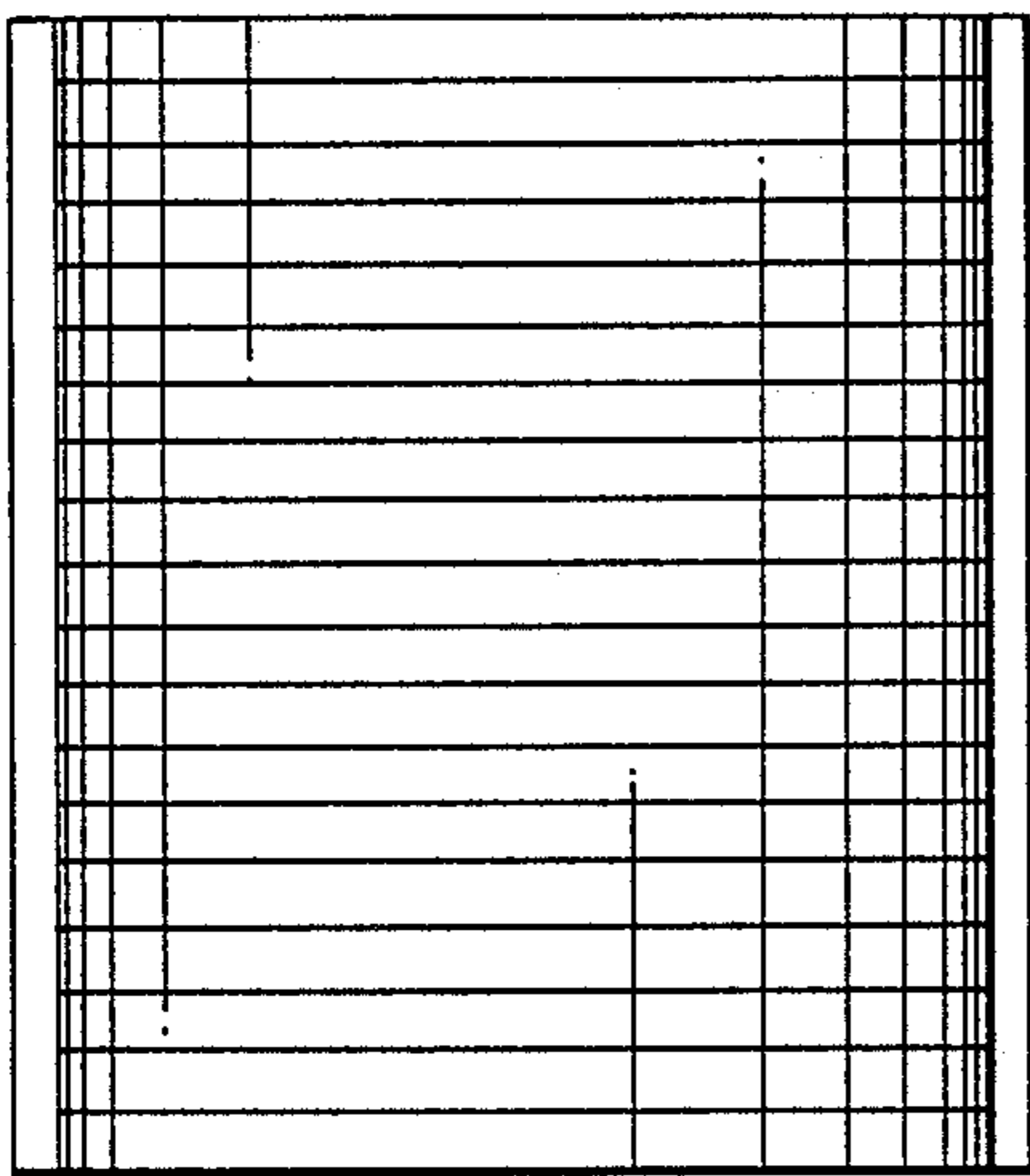


FIG. 5

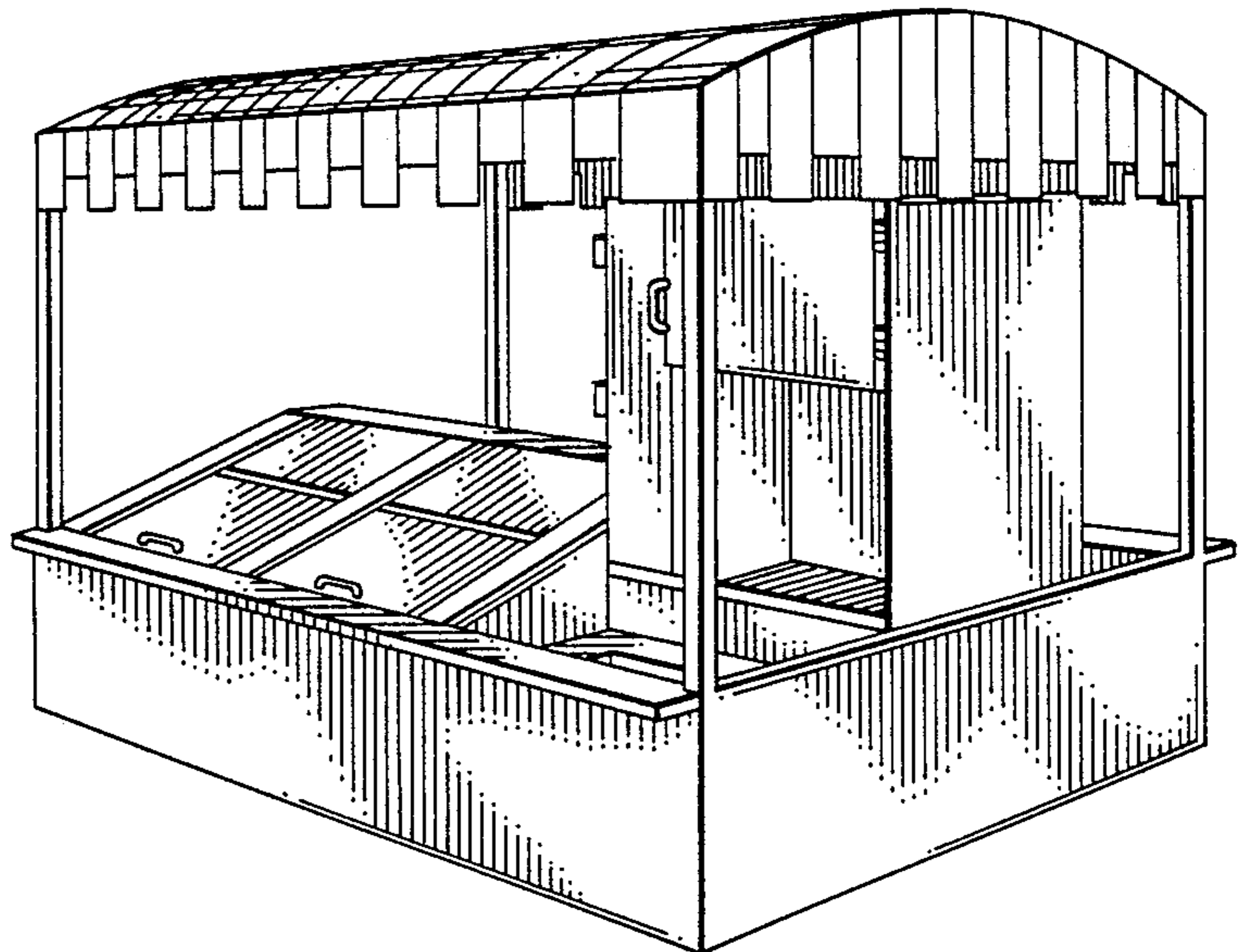


FIG. 2

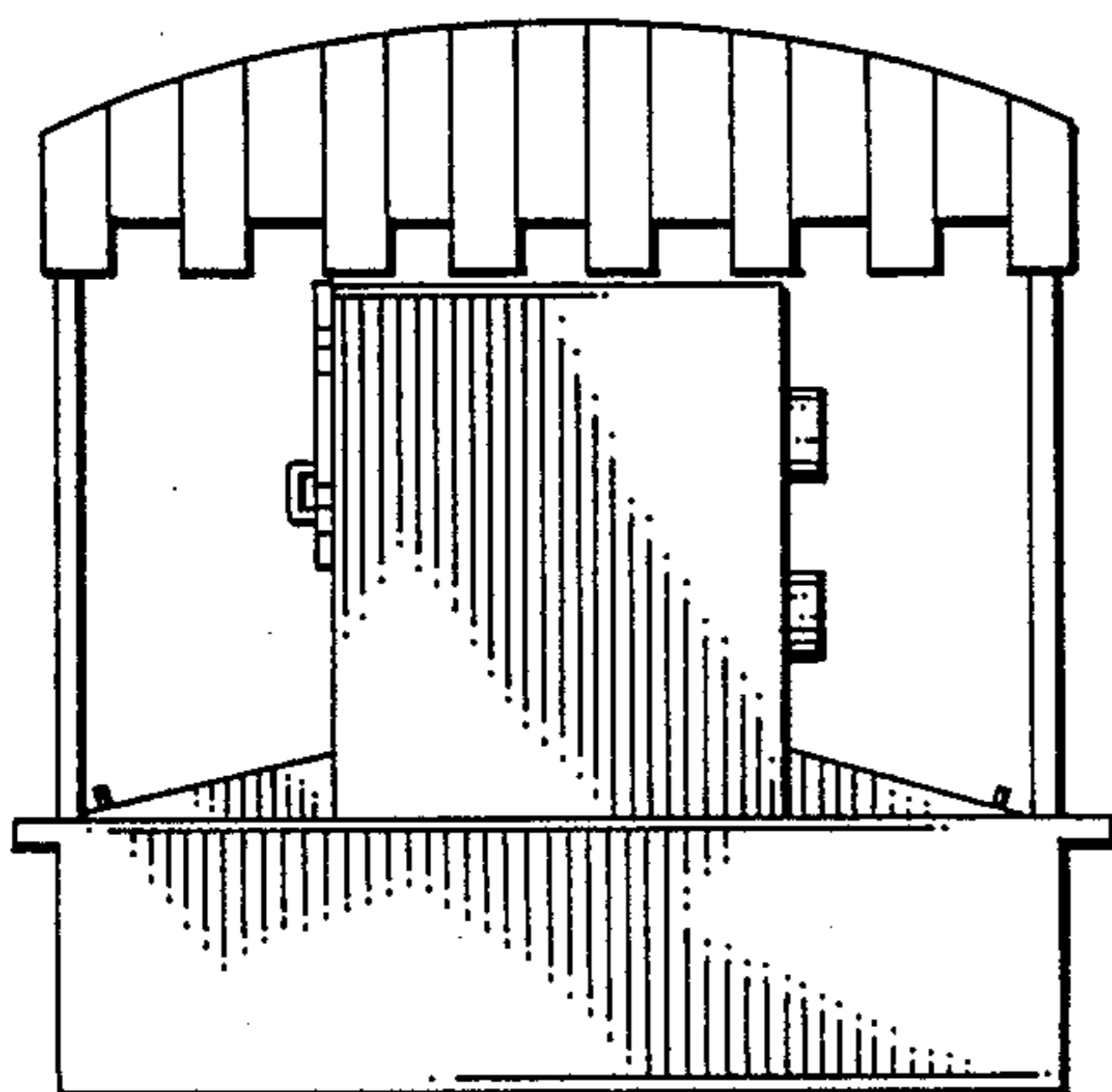


FIG. 3

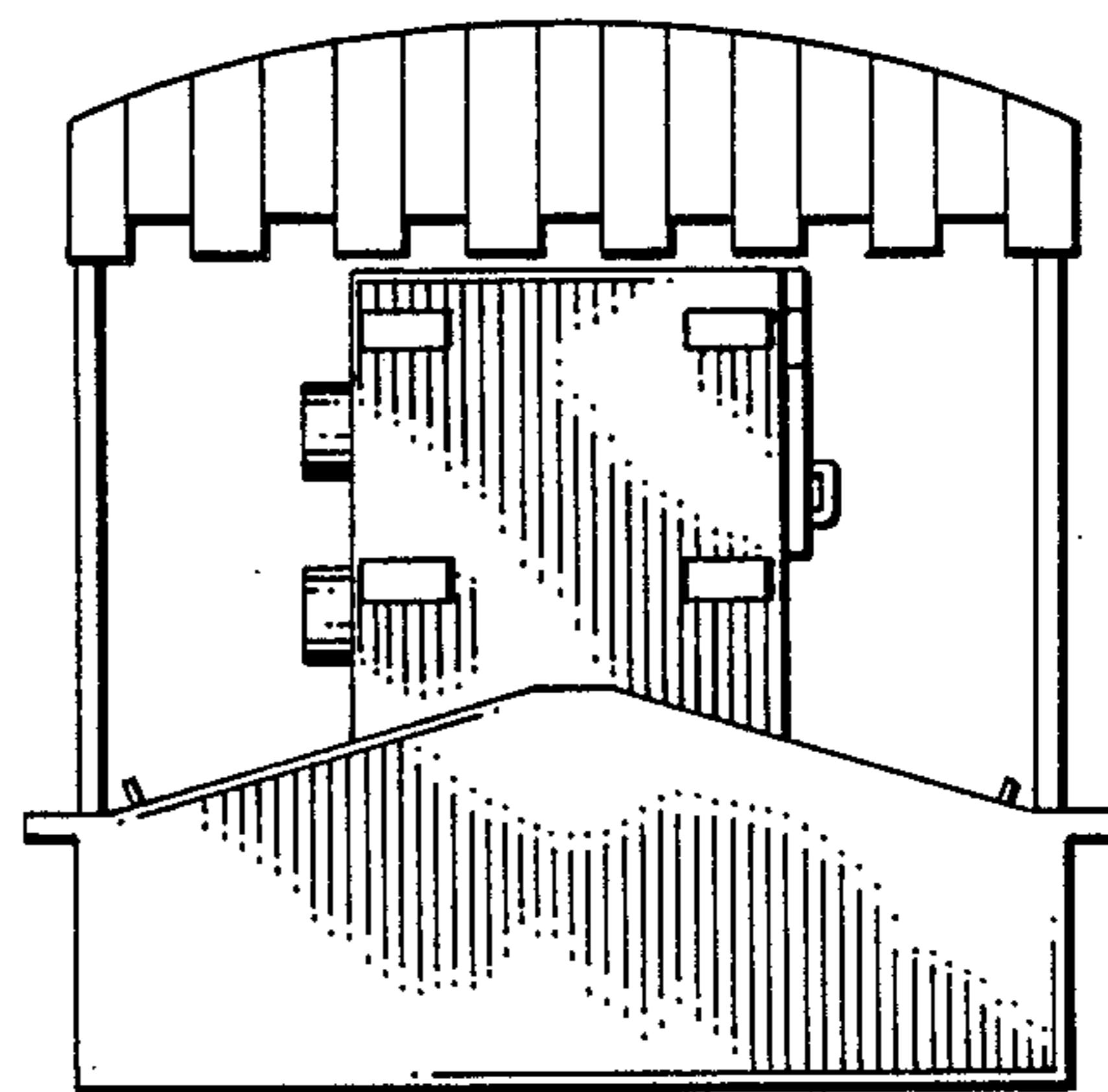


FIG. 4