

# United States Patent [19]

Mingus et al.

[11] Patent Number: **Des. 311,878**

[45] Date of Patent: **\*\* Nov. 6, 1990**

[54] WHISTLE

[76] Inventors: **Lori A. Mingus, 78763 Rat Creek Rd.; Lyndi L. Holst, 78683 Rat Creek Rd., both of, Cottage Grove, Oreg. 97424**

[\*\*] Term: **14 Years**

[21] Appl. No.: **242,513**

[22] Filed: **Sep. 12, 1988**

[52] U.S. Cl. .... **D10/119**

[58] Field of Search ..... **D10/119; 446/202, 203, 446/204, 205, 206, 207, 208, 209; D16/219**

[56] **References Cited**

**U.S. PATENT DOCUMENTS**

D. 59,816 11/1921 Clarke ..... D10/119

1,720,813 7/1929 Agnew et al. .... 446/202  
4,218,845 8/1980 Evans et al. .... 446/202  
4,614,503 9/1986 Skoda ..... 446/202

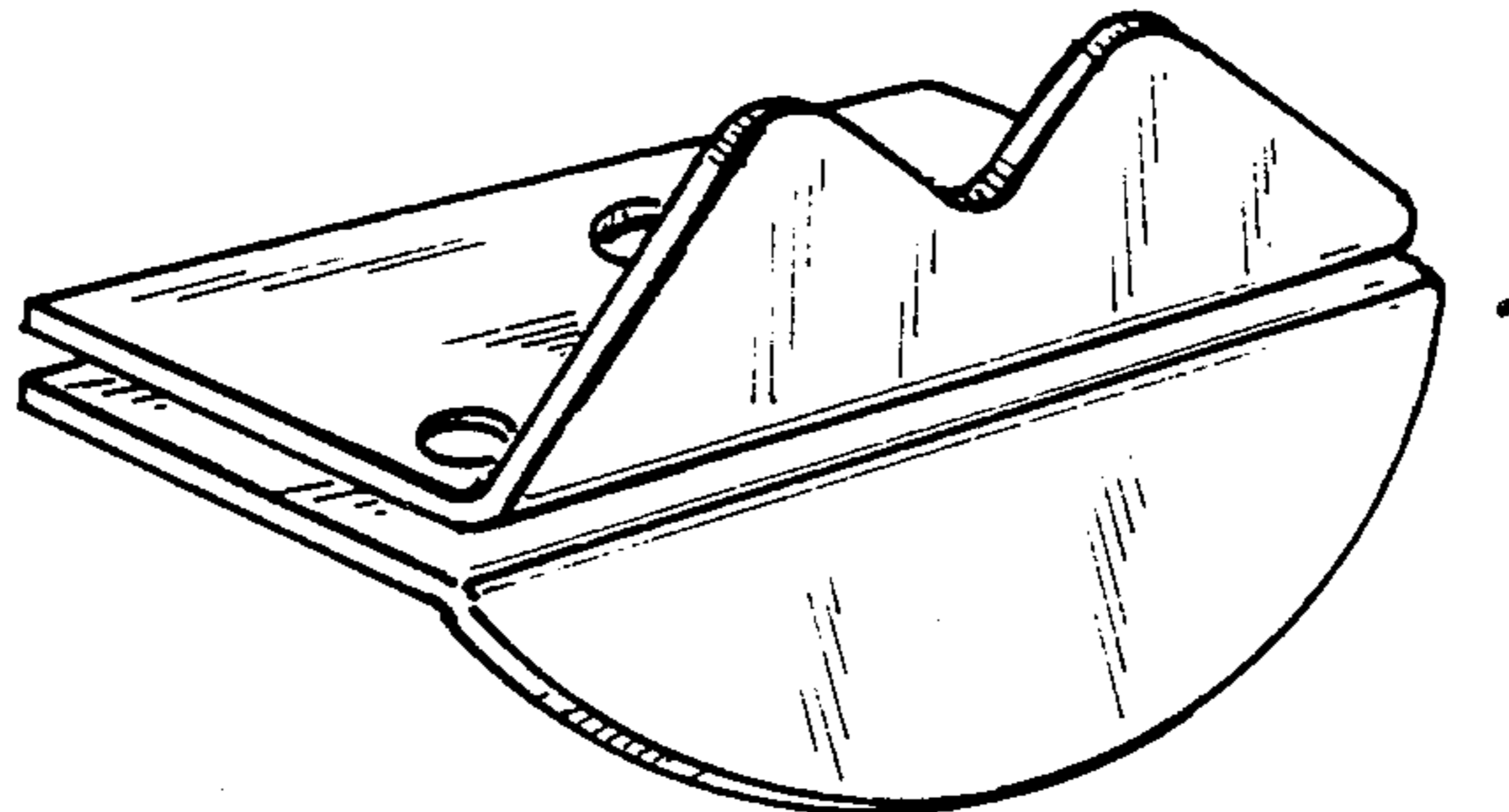
*Primary Examiner*—Wallace R. Burke  
*Assistant Examiner*—Marcus Jackson  
*Attorney, Agent, or Firm*—John F. Ingman

[57] **CLAIM**

The ornamental design for a whistle, as shown.

**DESCRIPTION**

FIG. 1 is a reduced perspective view of a whistle showing my new design;  
FIG. 2 is a top plan view thereof;  
FIG. 3 is a left side elevational view thereof;  
FIG. 4 is a right side elevational view thereof;  
FIG. 5 is a rear elevational view thereof;  
FIG. 6 is a bottom plan view thereof;  
FIG. 7 is a front elevational view thereof.



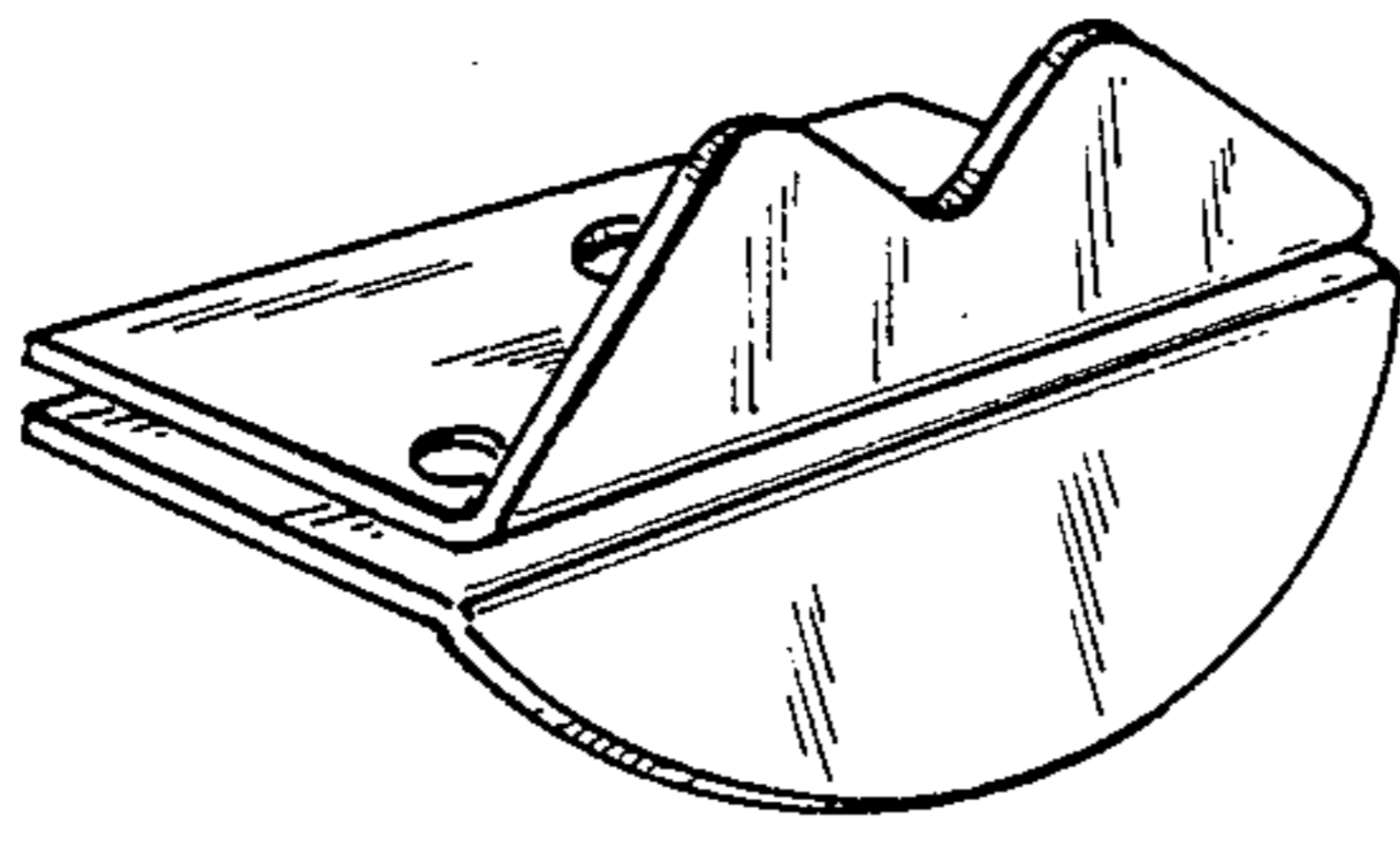


FIG. 1

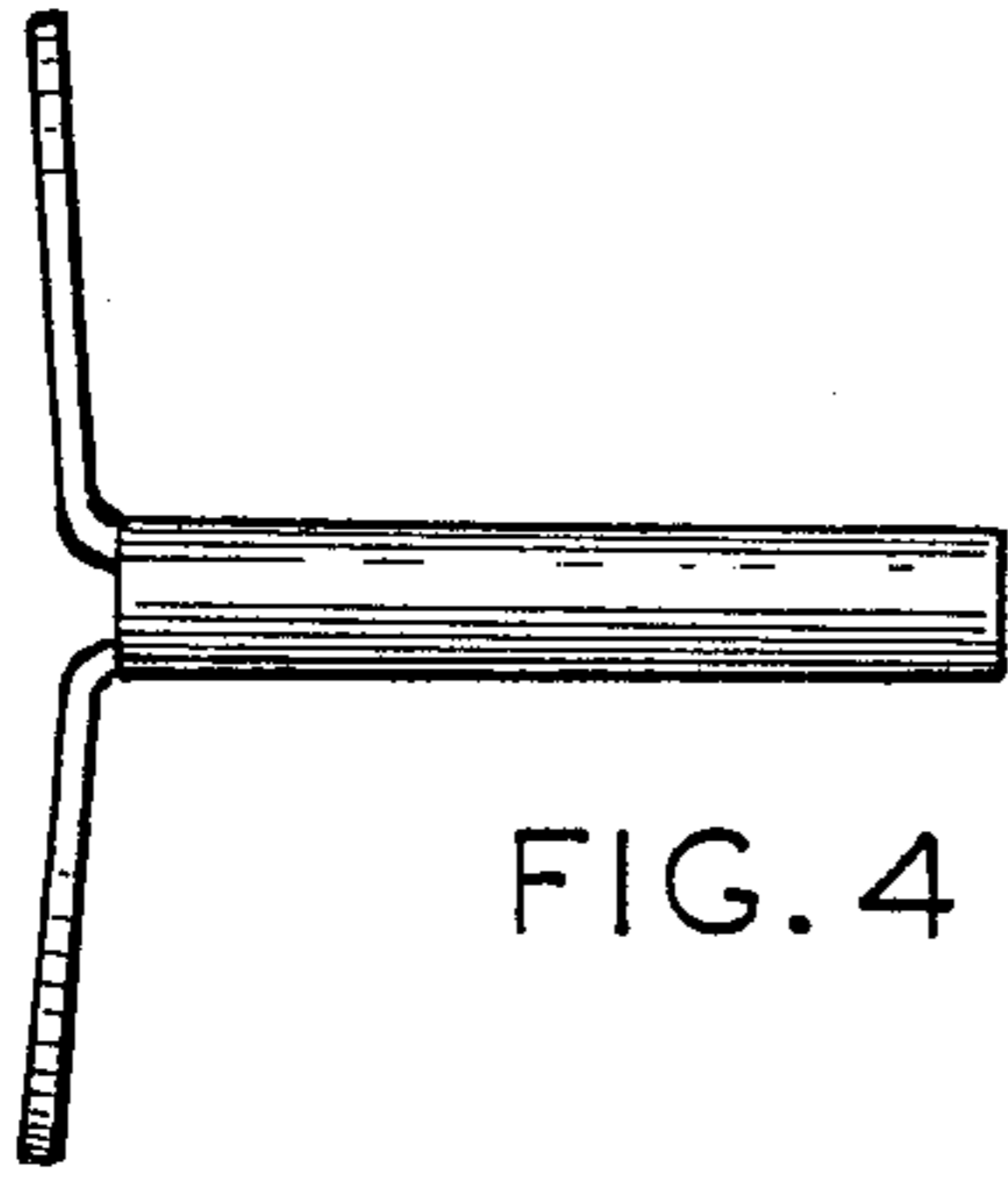


FIG. 4

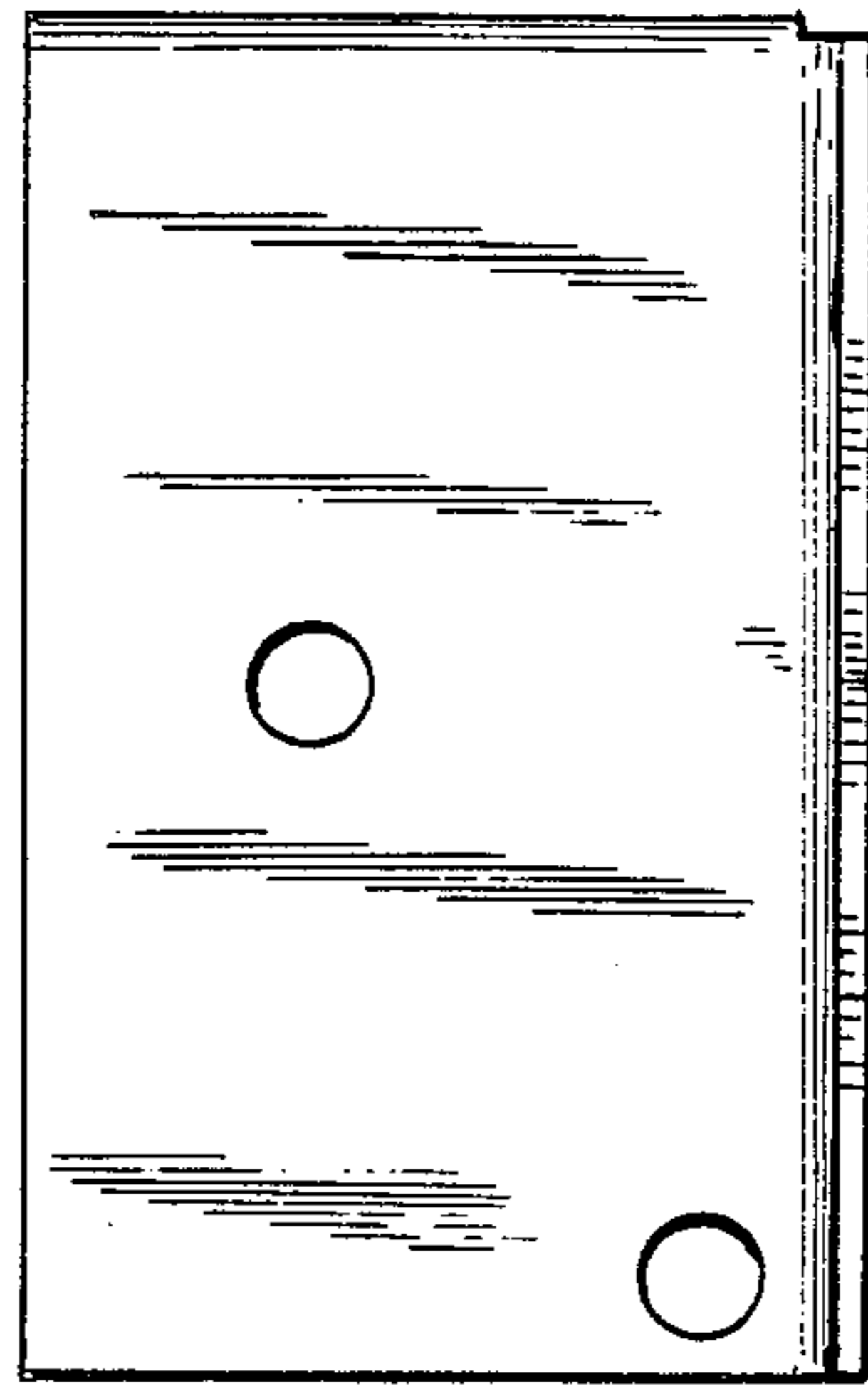


FIG. 2

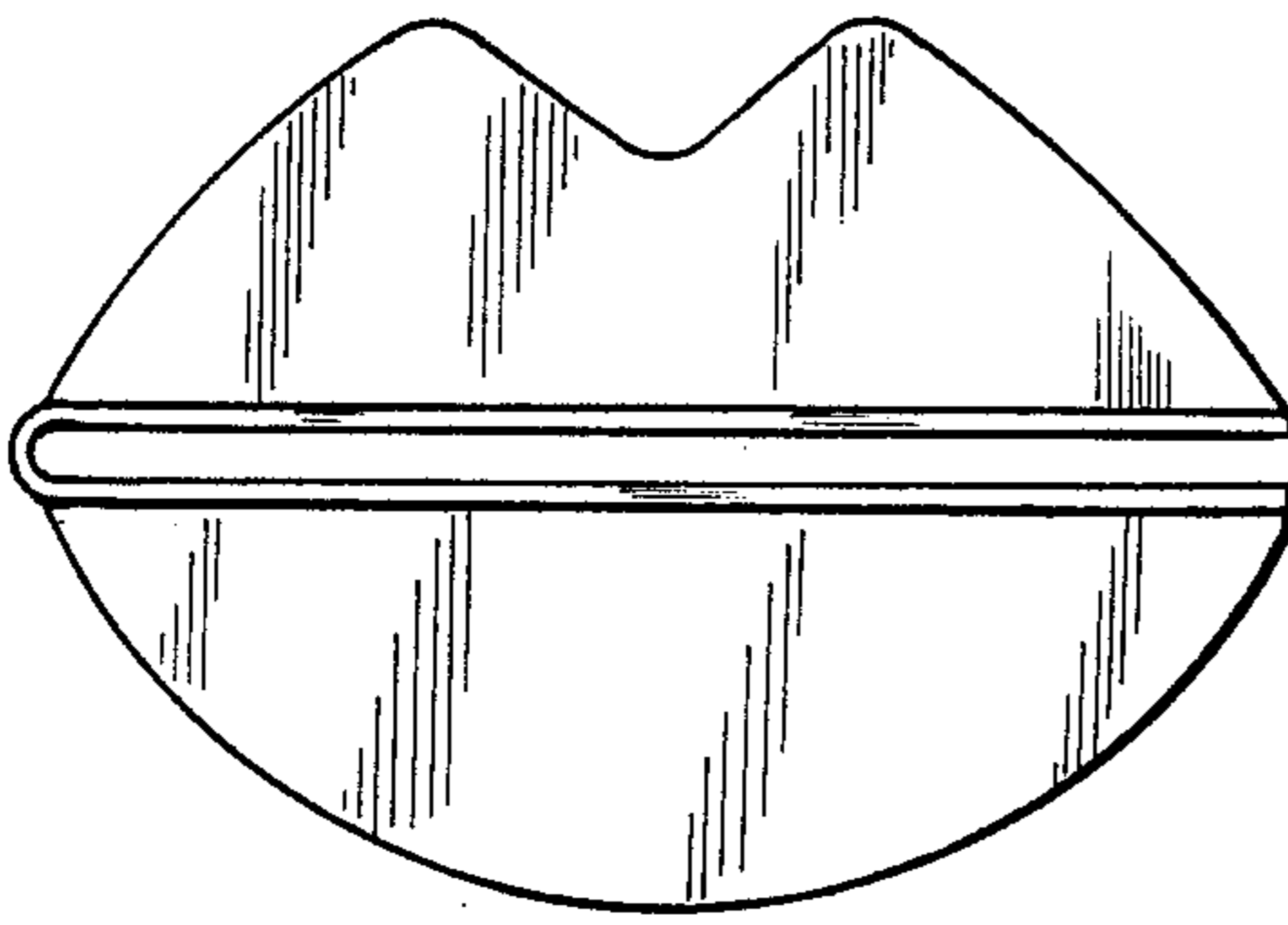


FIG. 5

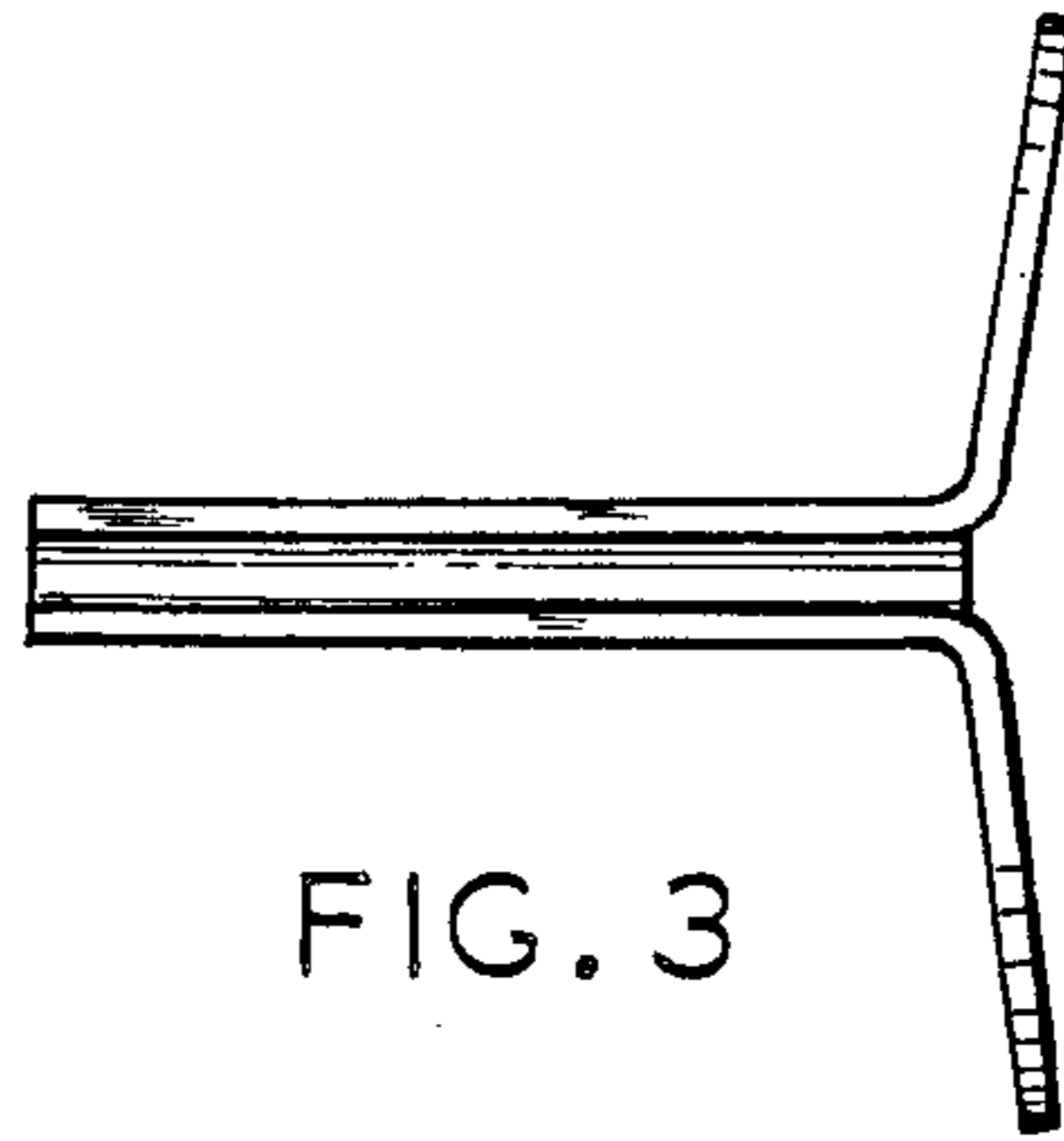


FIG. 3

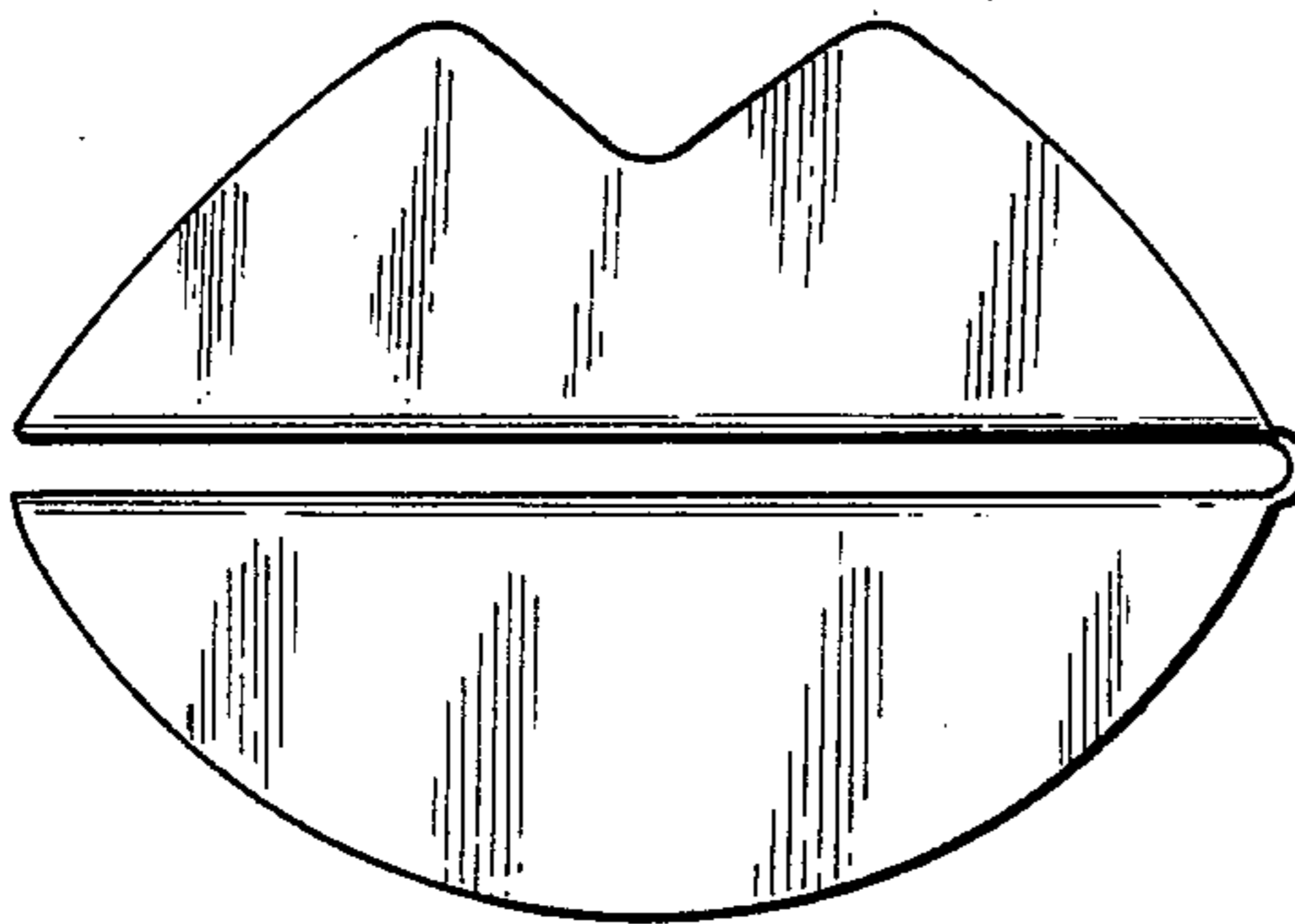


FIG. 7

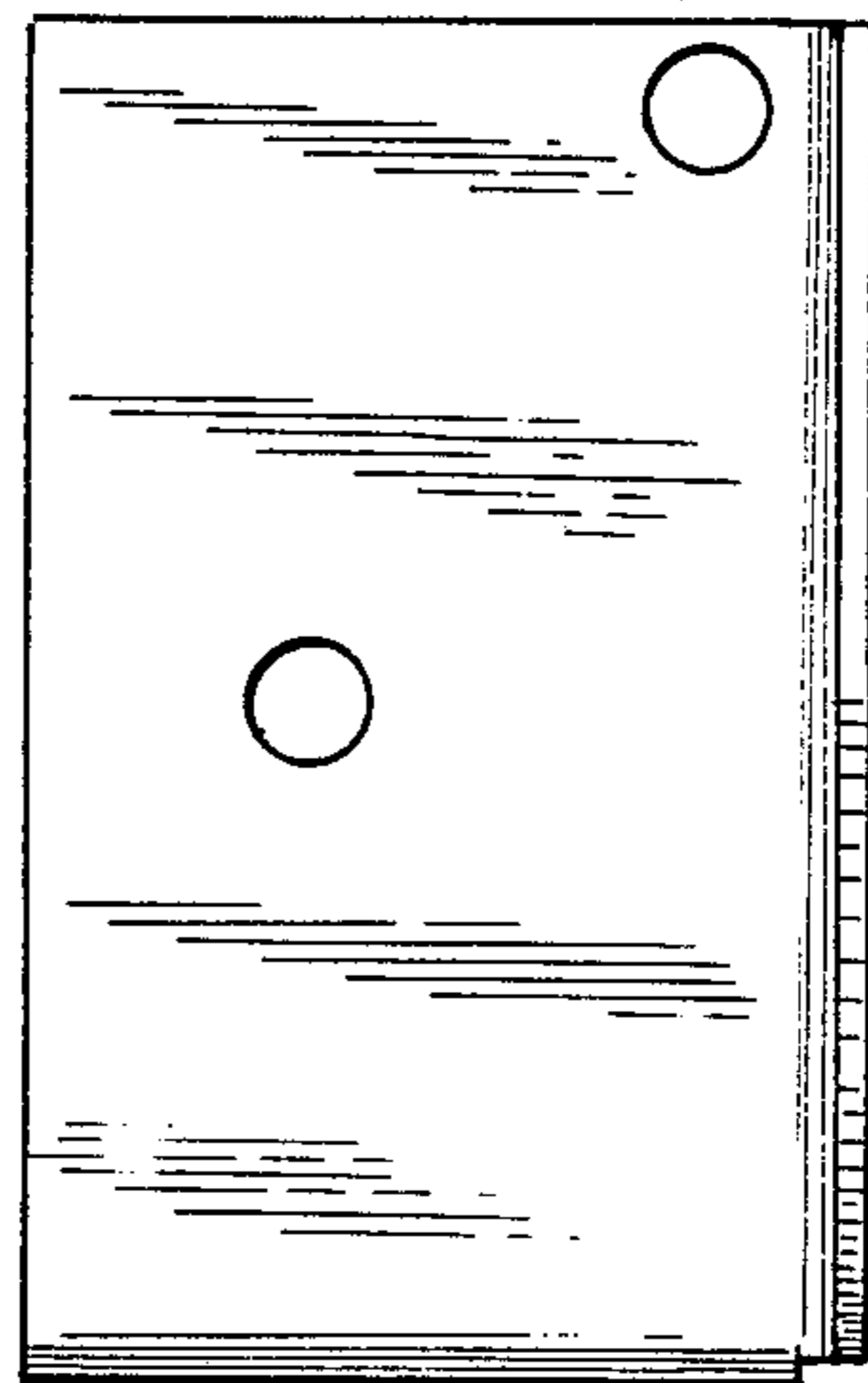


FIG. 6