

[54] **MOTION SENSOR**

[75] **Inventor: Willis Cheng, Taipei, Taiwan**

[73] **Assignee: Woods Far East, Inc., Taipei, Taiwan**

[\*\*] **Term: 14 Years**

[21] **Appl. No.: 216,985**

[22] **Filed: Jul. 11, 1988**

[52] **U.S. Cl. .... D10/104**

[58] **Field of Search ..... D10/104, 106, 121;  
340/521, 540, 541, 542, 543, 544, 545, 546, 555,  
556, 557, 565; 116/203, 693**

[56] **References Cited**

**U.S. PATENT DOCUMENTS**

D. 304,019 10/1989 Carsello ..... D10/106  
4,516,115 5/1985 Frigan et al. .... 340/556

**OTHER PUBLICATIONS**

RCA Security Switch Brochure, ©1985, motion sensing light control EMS 100.

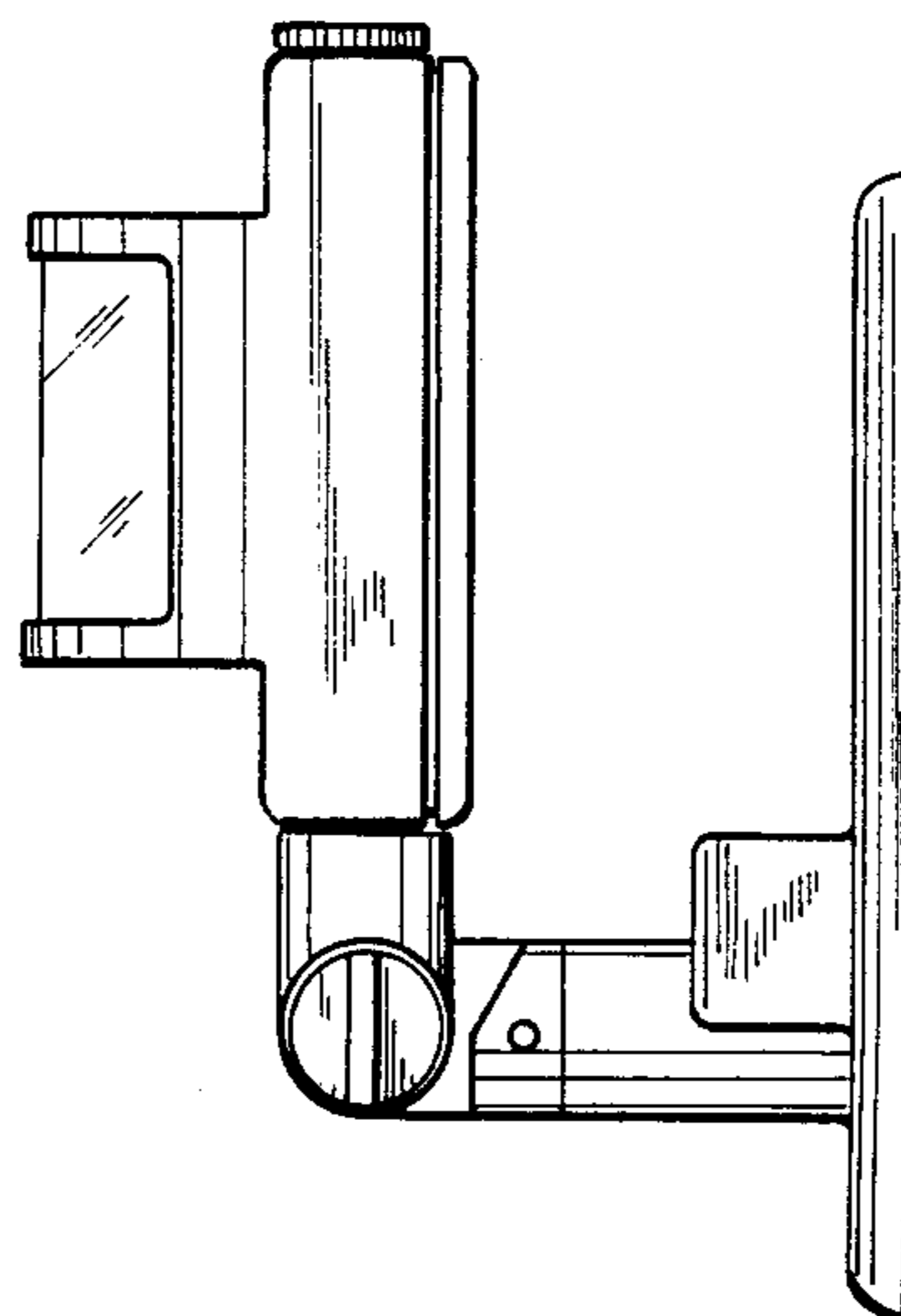
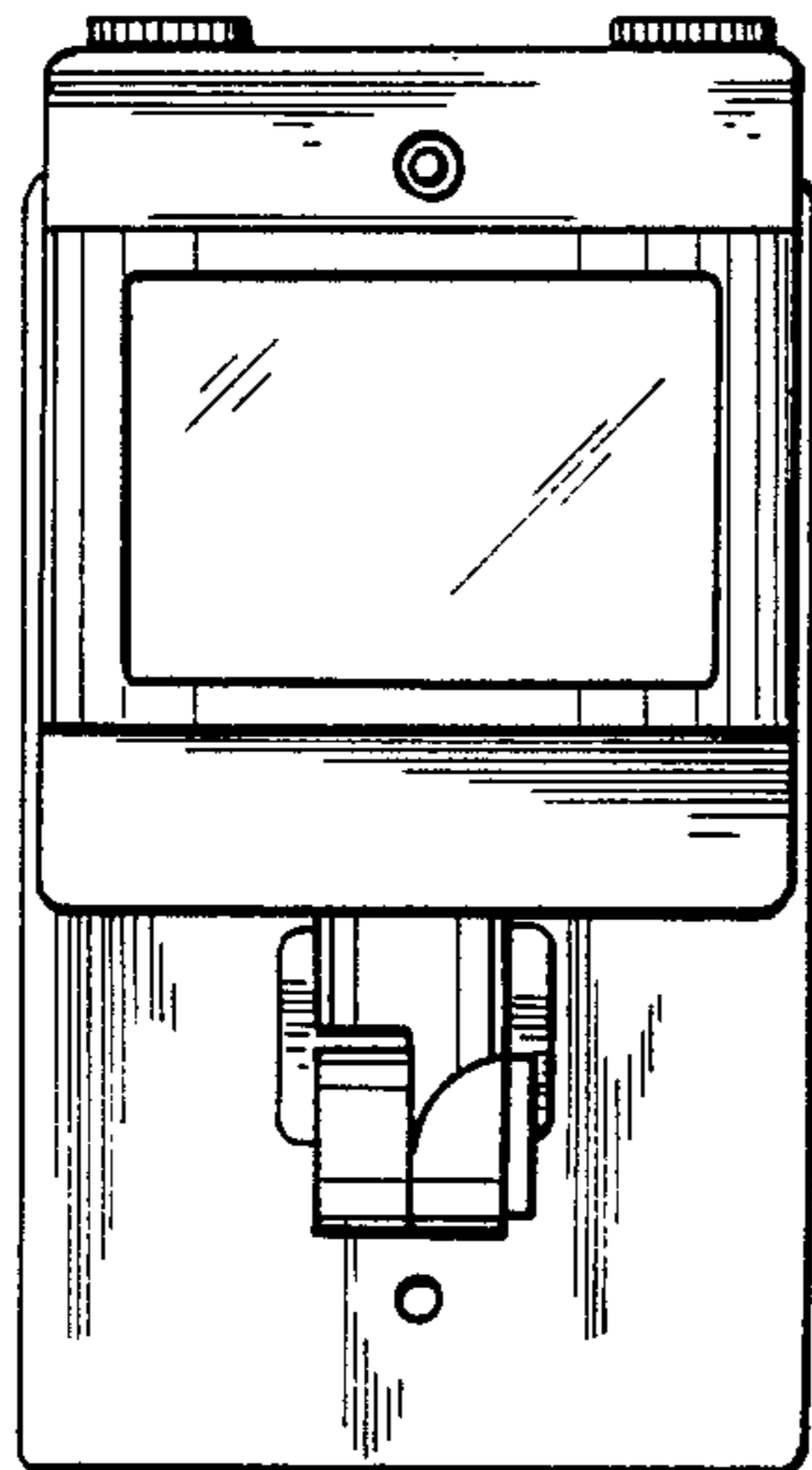
*Primary Examiner*—Wallace R. Burke  
*Assistant Examiner*—Marcus Jackson  
*Attorney, Agent, or Firm*—Woodard, Emhardt,  
Naughton, Moriarty & McNett

[57] **CLAIM**

The ornamental design for a motion sensor, as shown and described.

**DESCRIPTION**

FIG. 1 is a front elevational view of a motion sensor showing my new design;  
FIG. 2 is a right side elevational view thereof;  
FIG. 3 is a top plan view thereof;  
FIG. 4 is a bottom plan view thereof;  
FIG. 5 is a left side elevational view thereof;  
FIG. 6 is a rear elevational view thereof;  
FIG. 7 is a front elevational view of a second embodiment thereof;  
FIG. 8 is a right side elevational view thereof;  
FIG. 9 is a top plan view thereof;  
FIG. 10 is a bottom plan view thereof;  
FIG. 11 is a left side elevational view thereof;  
FIG. 12 is a rear elevational view thereof.



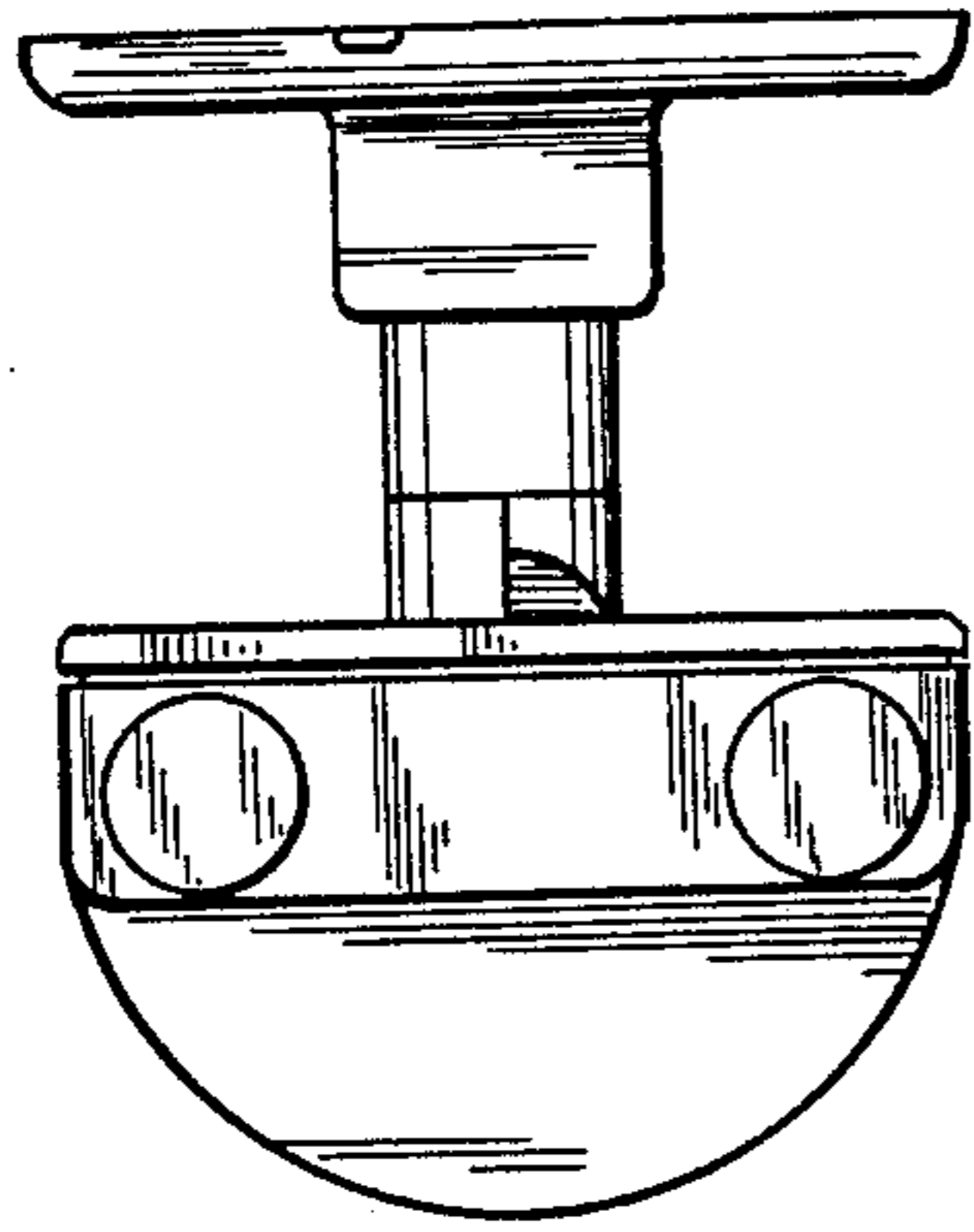


Fig.3

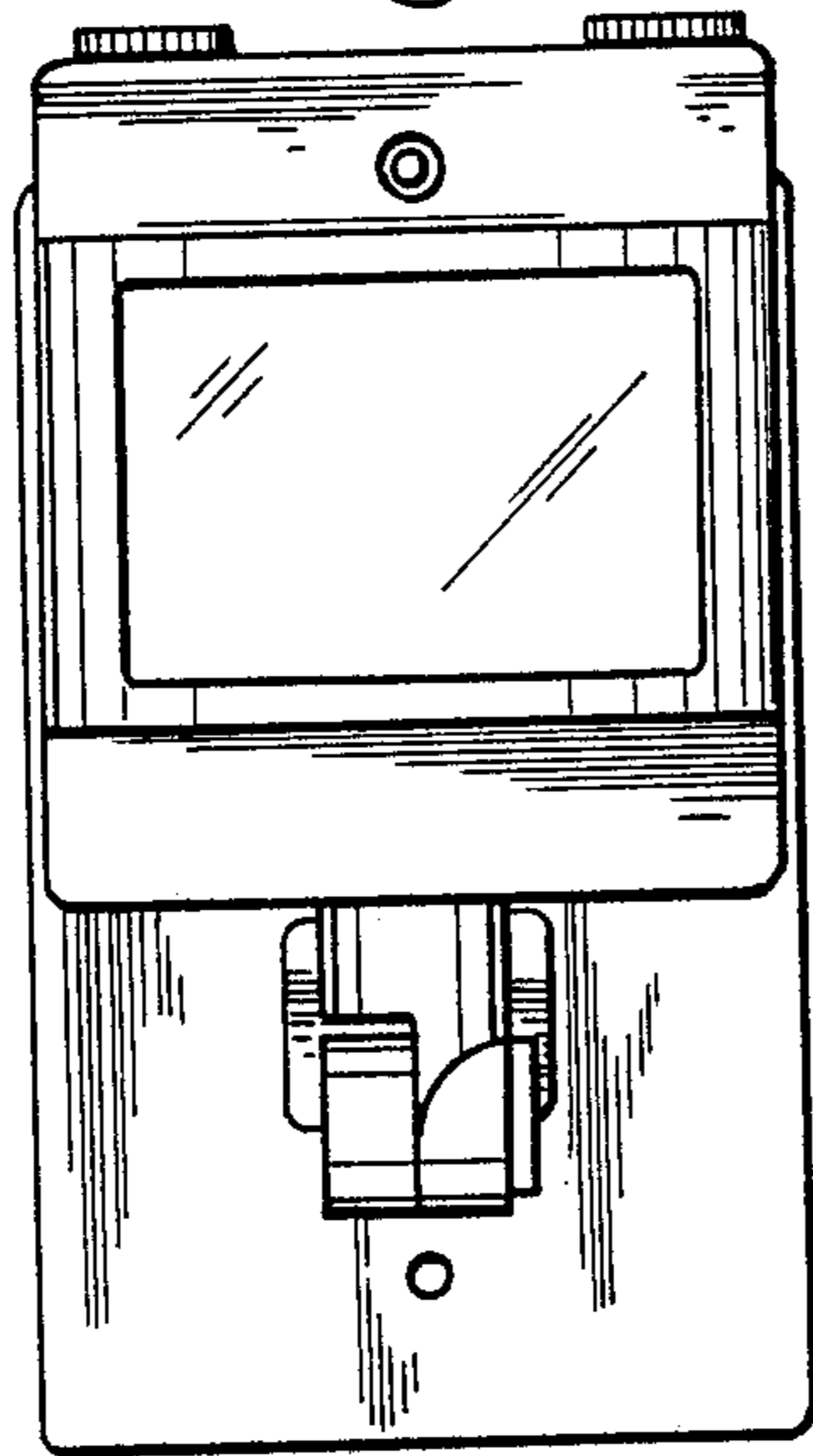


Fig.1

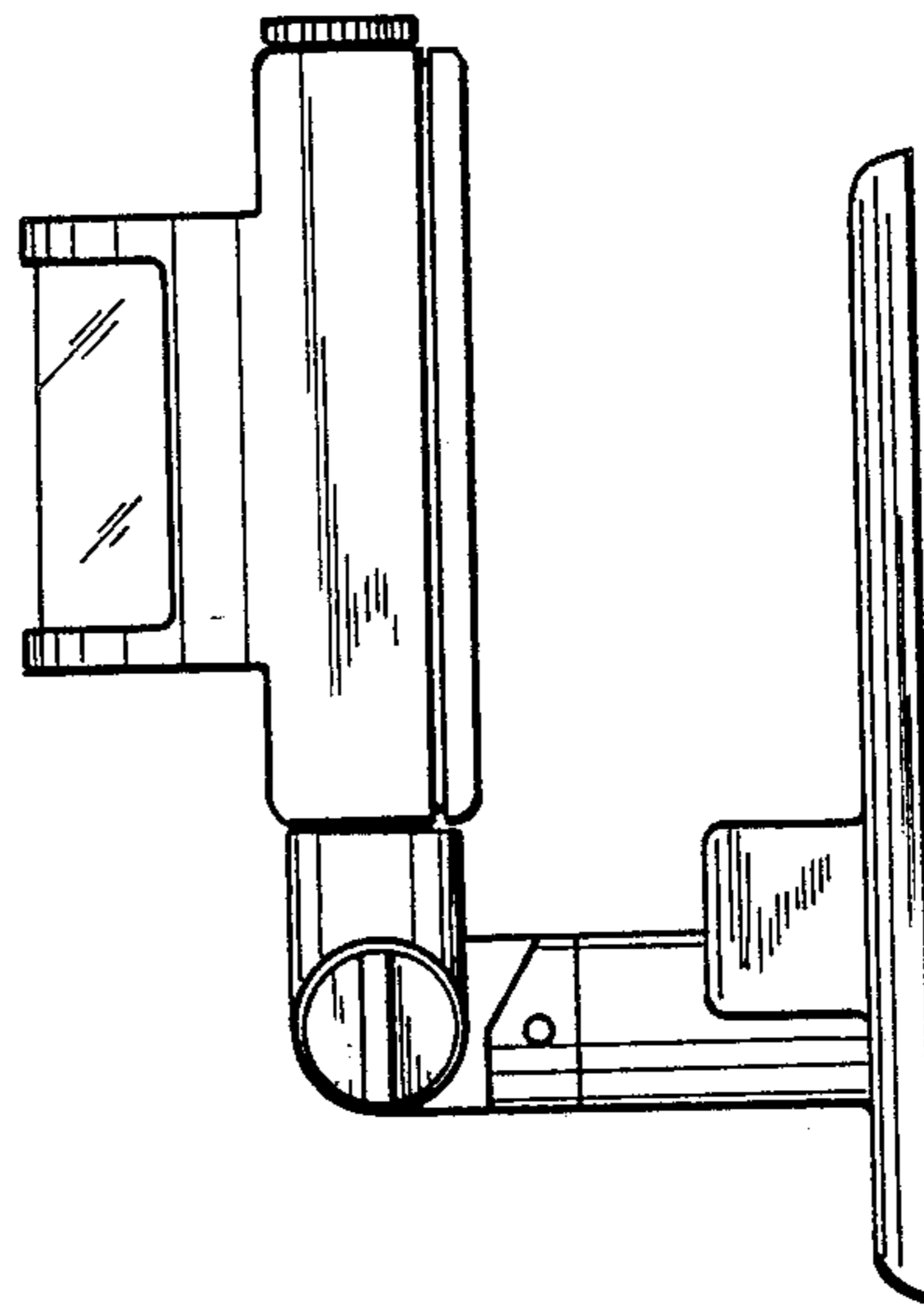


Fig.2

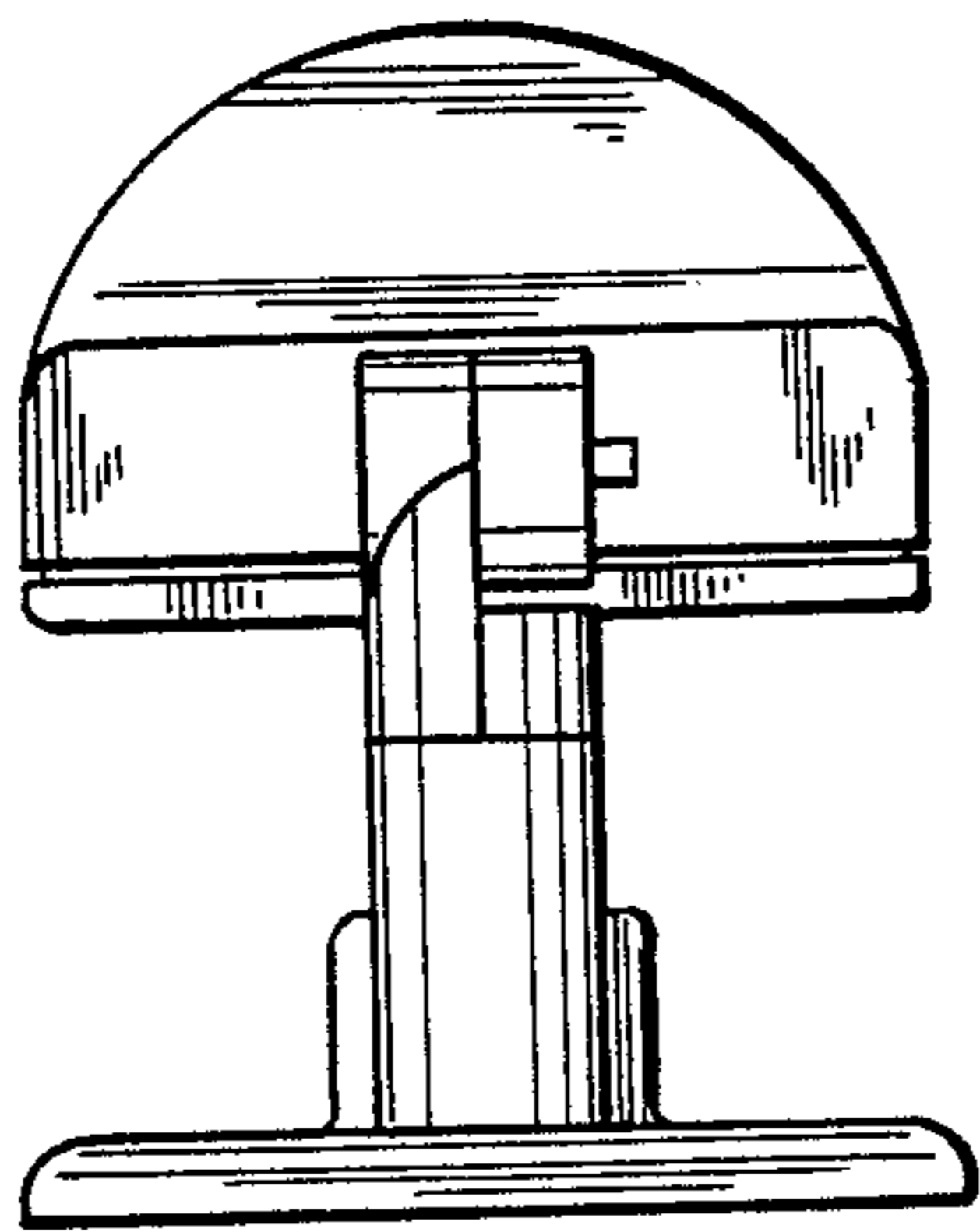


Fig.4

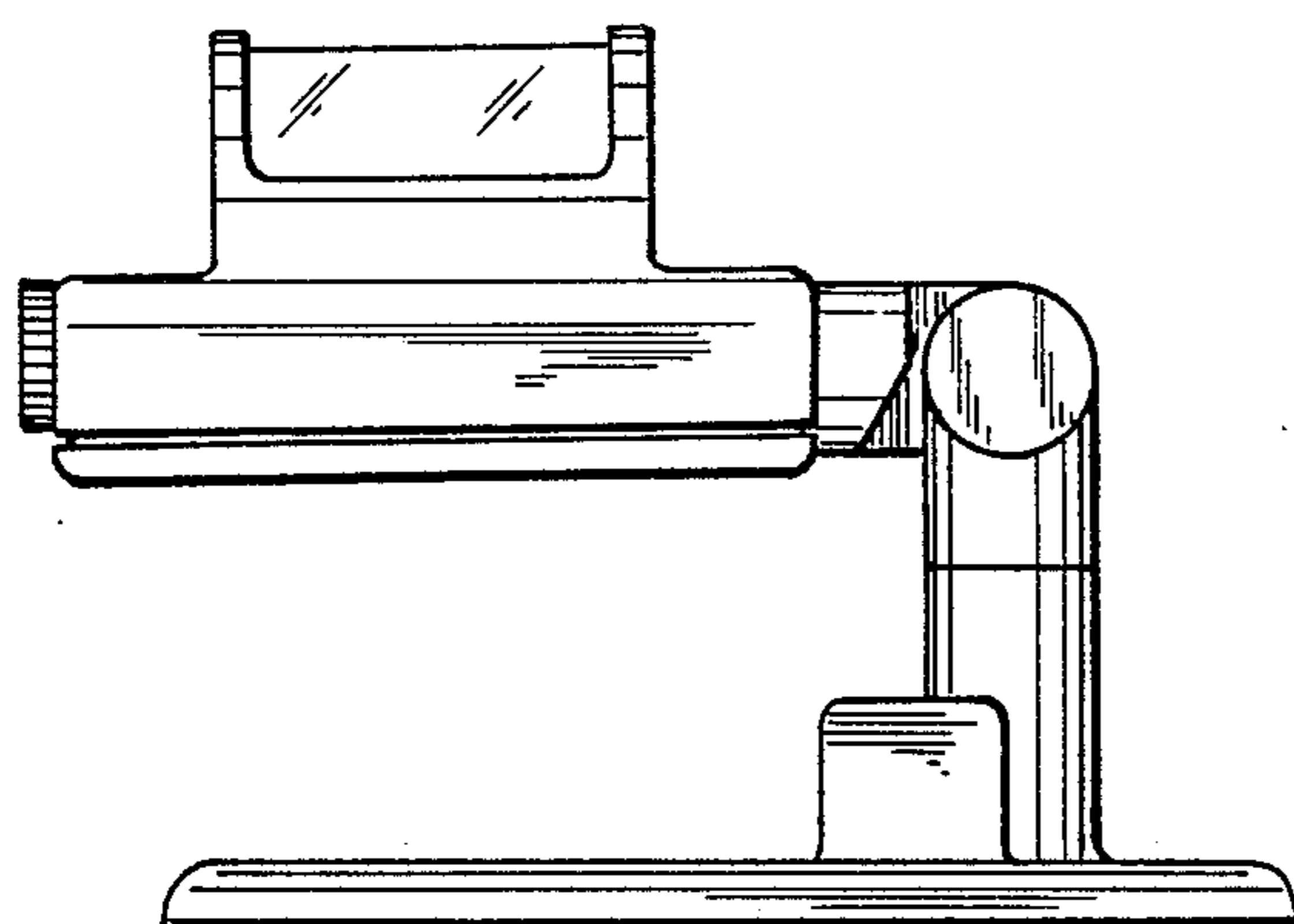


Fig. 5

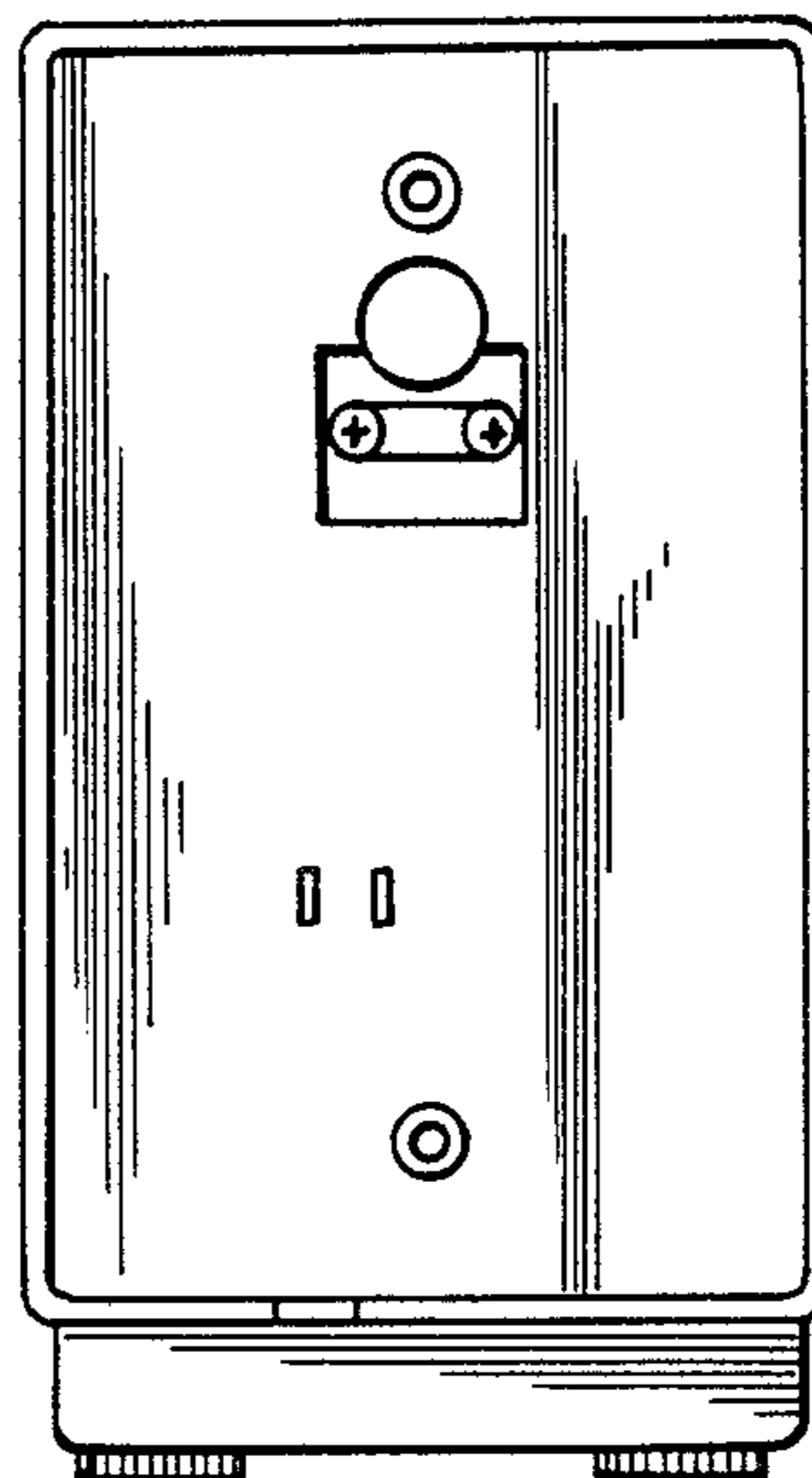
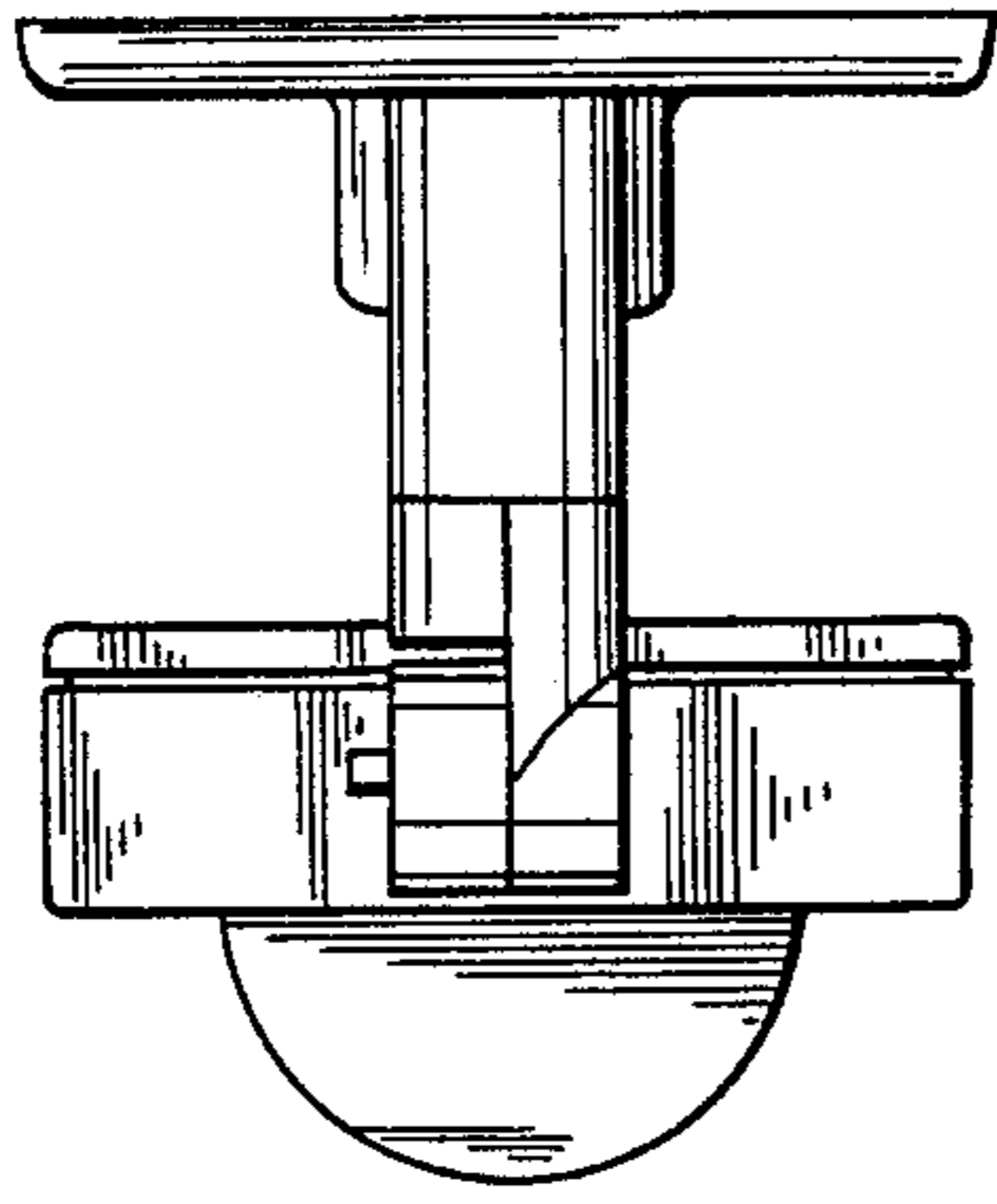
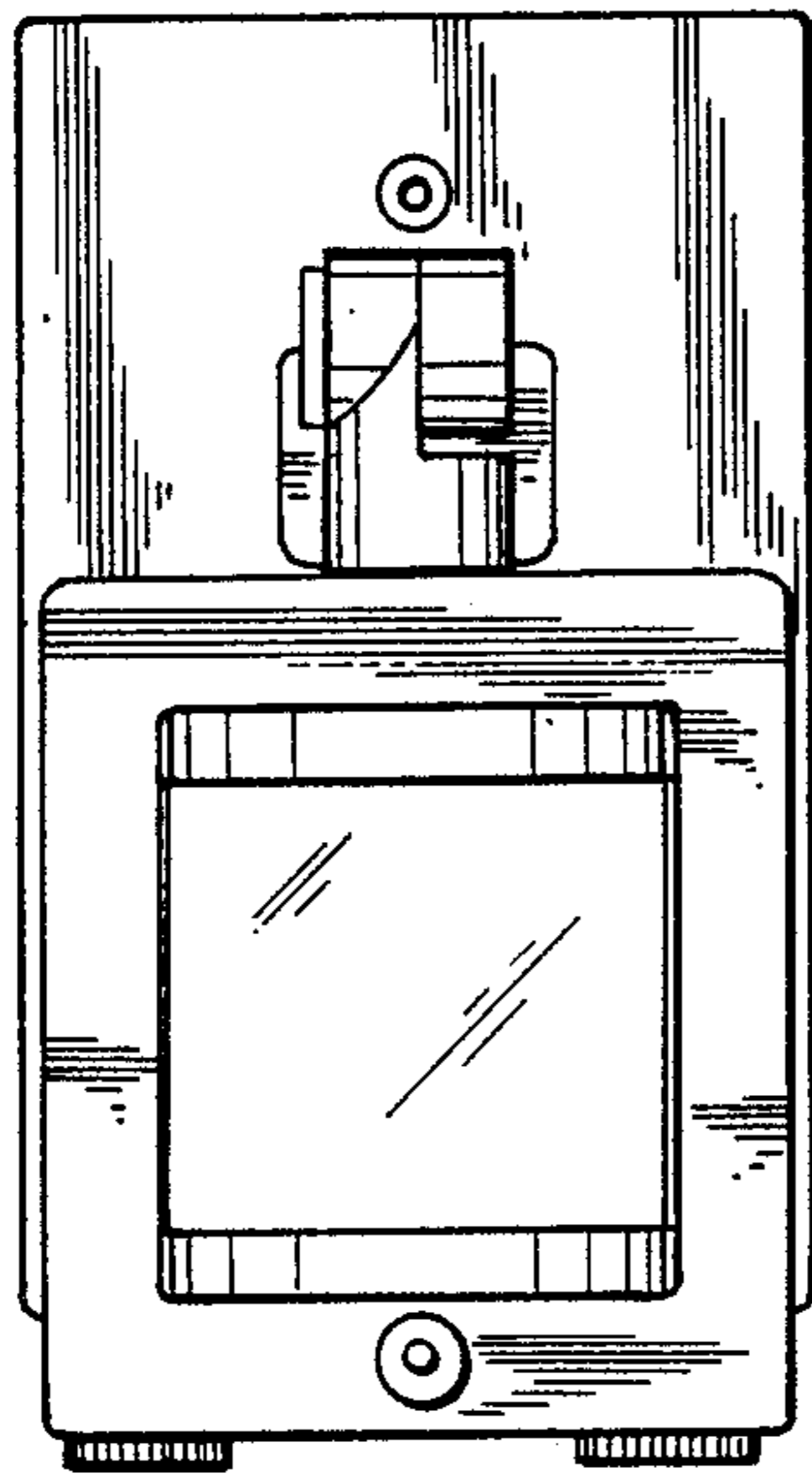


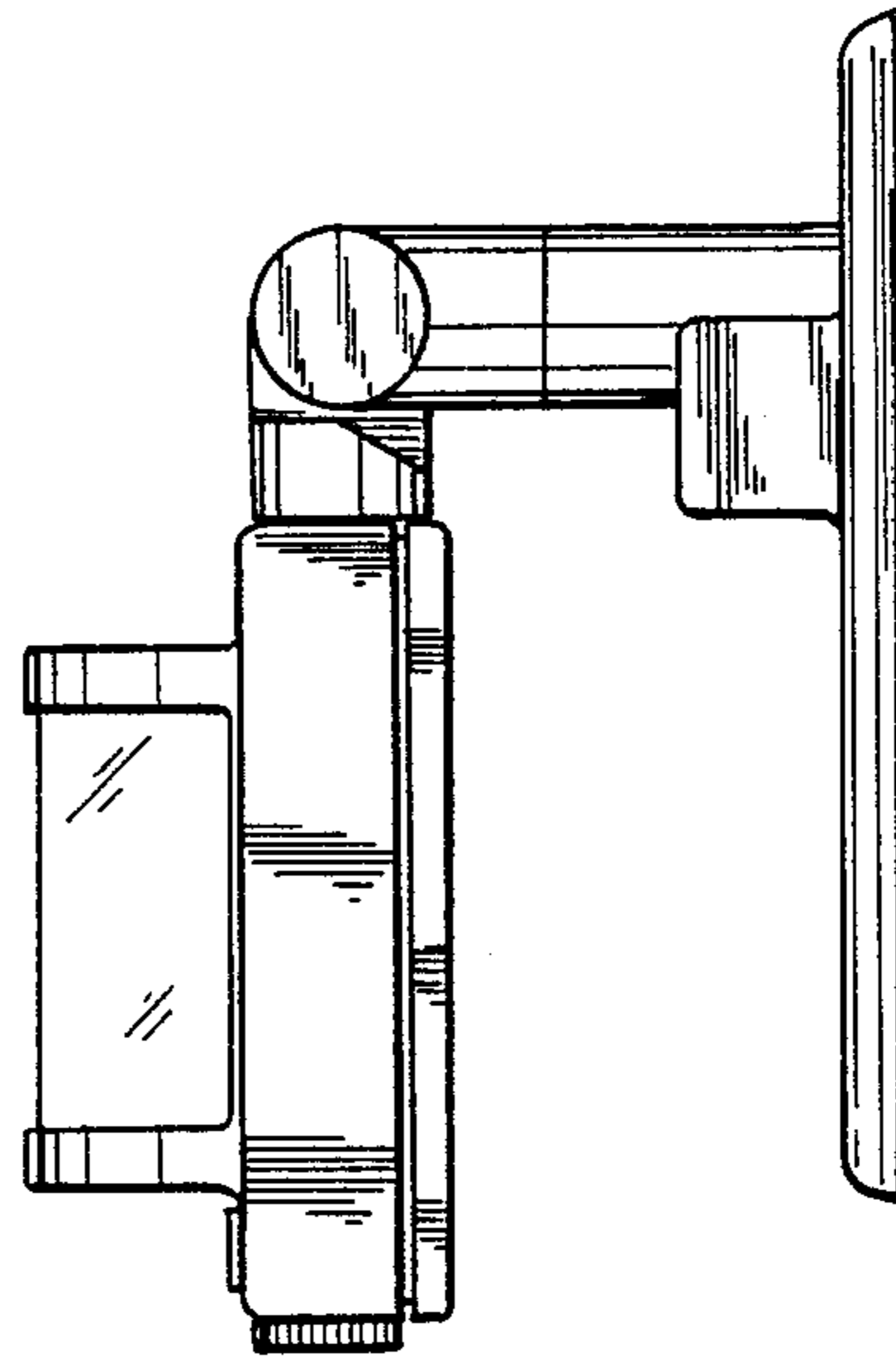
Fig. 6



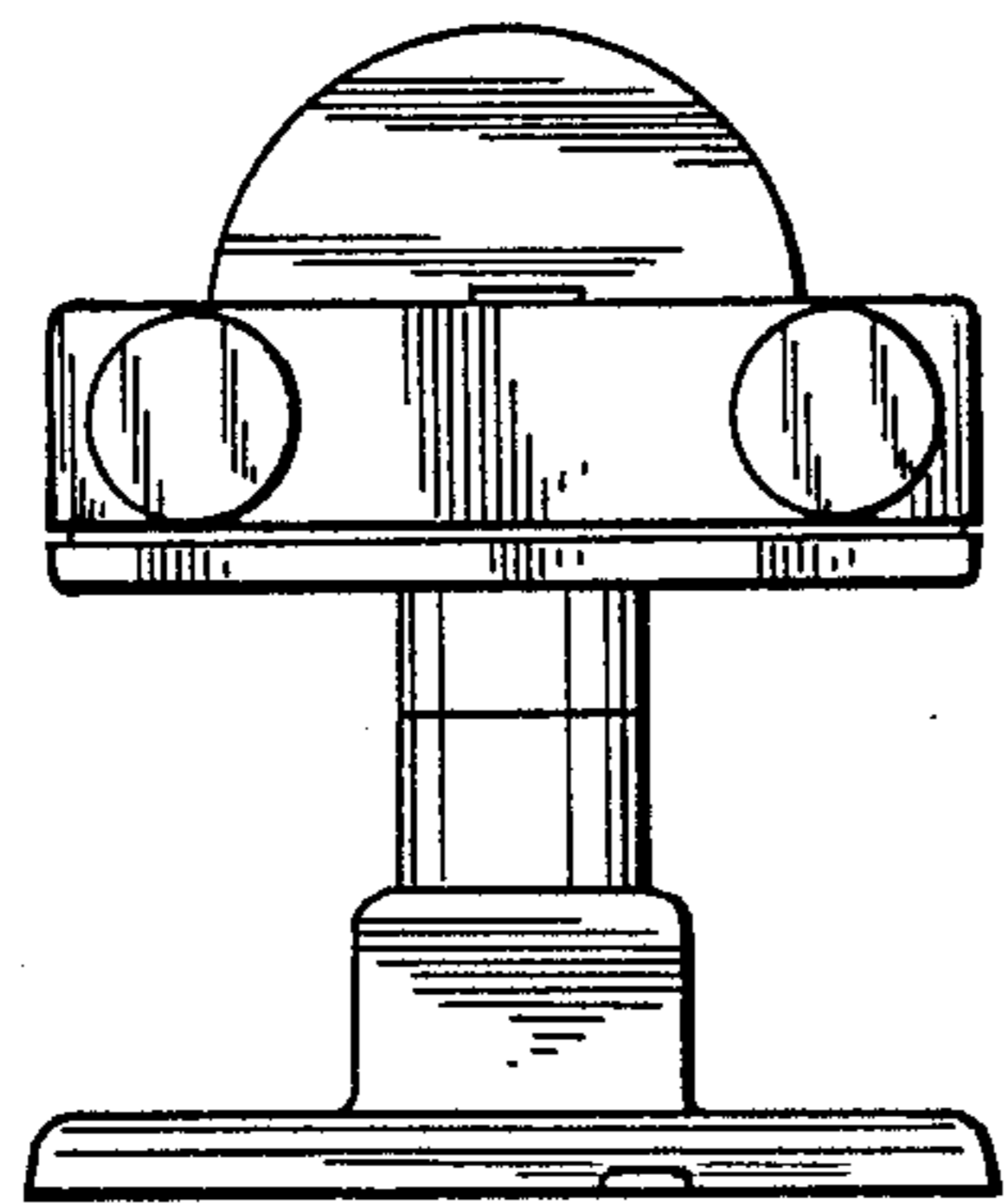
**Fig. 9**



**Fig. 7**



**Fig. 8**



**Fig. 10**

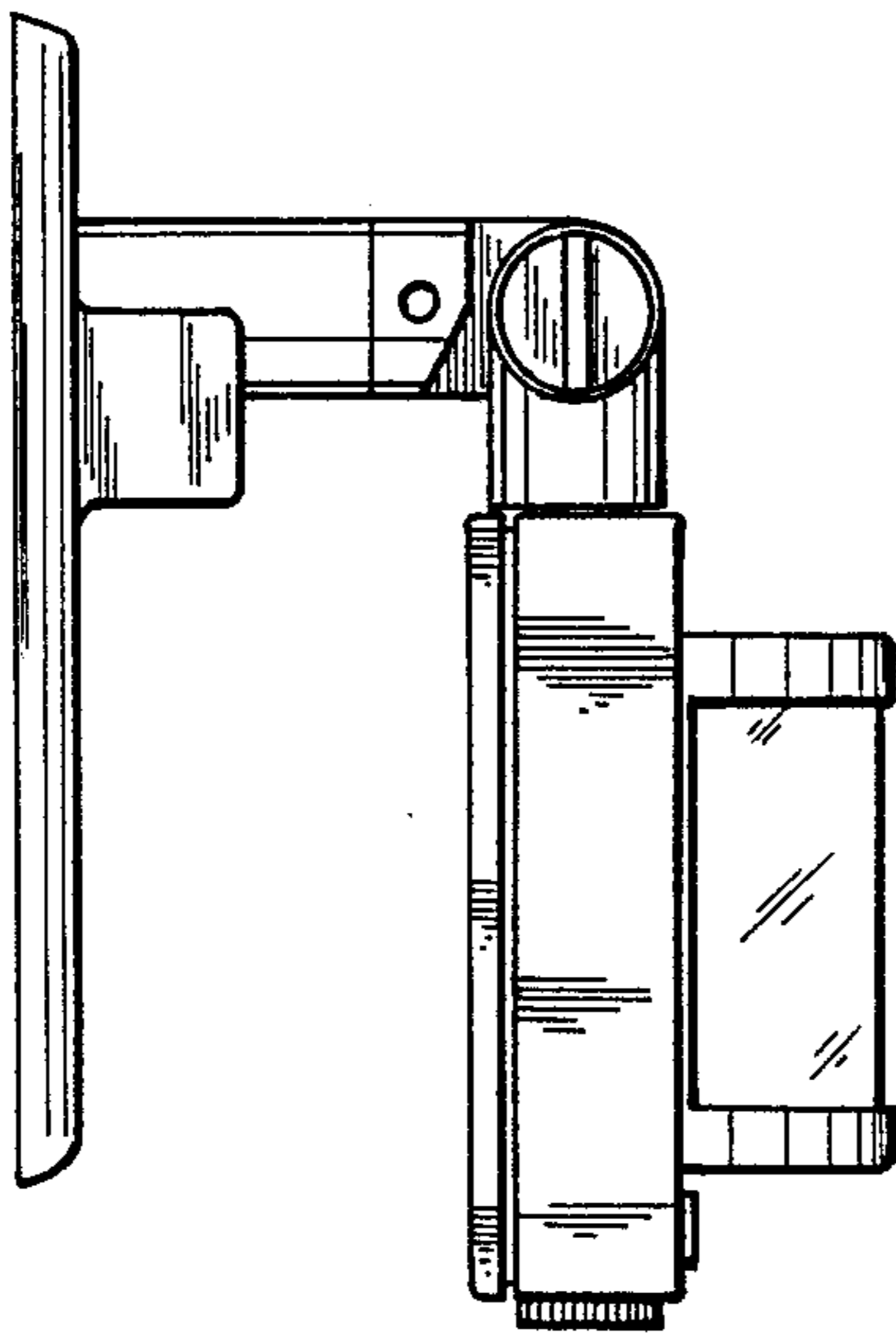


Fig. 11

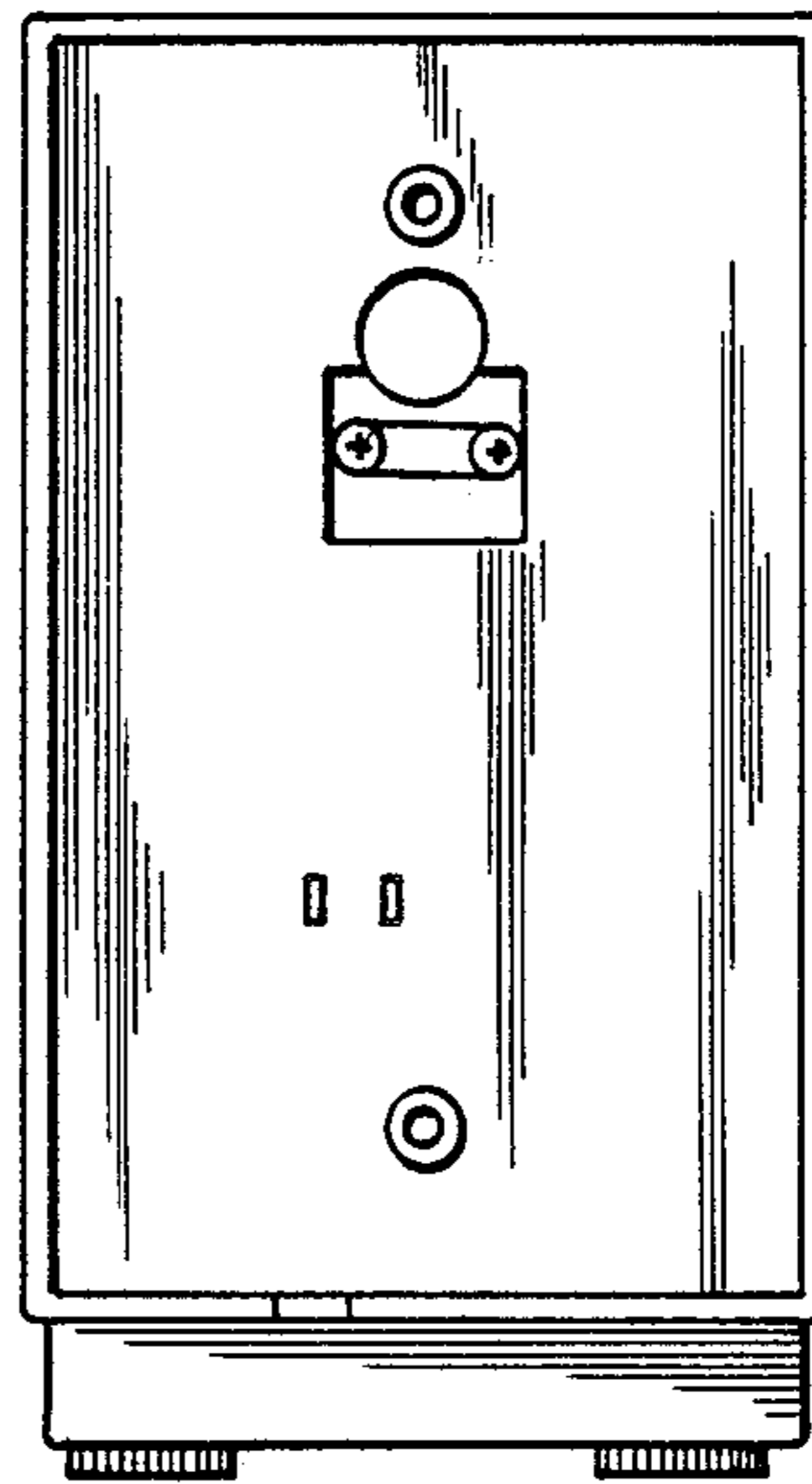


Fig. 12