

[54] **SAMPLE CONTAINER HOLDER FOR CHEMICAL ANALYZERS**
[75] Inventor: Takatora Ikegami, Tama, Japan
[73] Assignee: Olympus Optical Co., Ltd., Japan
[**] Term: 14 Years
[21] Appl. No.: 122,421
[22] Filed: Nov. 19, 1987

[30] **Foreign Application Priority Data**

Jul. 14, 1987 [JP] Japan 62-28820
Jul. 14, 1987 [JP] Japan 62-28821
[52] U.S. Cl. D24/29; D10/81
[58] Field of Search D10/81, 46; 422/63, 422/68, 102, 104, 119; 206/1 BC, 4 B, 23.83; D24/8, 17, 22, 29, 31, 56

[56] **References Cited**

U.S. PATENT DOCUMENTS

D. 256,786 9/1980 Pederson D10/81
D. 291,730 9/1987 Keiln et al. D24/29
D. 298,652 11/1988 Hollar et al. D24/29
4,371,498 2/1983 Scordato et al. 422/102
4,456,580 6/1984 Yamada et al. 422/102 X
4,713,219 12/1987 Genken et al. 422/102
4,769,335 9/1988 Schmidt et al. 422/102 X

Primary Examiner—Nelson C. Holtje

Assistant Examiner—Antoine D. Davis
Attorney, Agent, or Firm—Ostrolenk, Faber, Gerb & Soffen

[57] **CLAIM**

The ornamental design for a sample container holder for chemical analyzers, as shown and described.

DESCRIPTION

FIG. 1 is a top, front, and left side perspective view of a sample container holder for chemical analyzers showing my new design;
FIG. 2 is a bottom, rear, and right side perspective view;
FIG. 3 is a front elevational view;
FIG. 4 is a right side elevational view;
FIG. 5 is a rear elevational view;
FIG. 6 is a left side elevational view;
FIG. 7 is a top plan view;
FIG. 8 is a bottom plan view;
FIG. 9 is a top, front, and left side perspective view of another embodiment of FIGS. 1-8;
FIG. 10 is a bottom, rear, and right side perspective view;
FIG. 11 is a front elevational view;
FIG. 12 is a right side elevational view;
FIG. 13 is a rear elevational view;
FIG. 14 is a left side elevational view;
FIG. 15 is a top plan view;
FIG. 16 is a bottom plan view thereof.

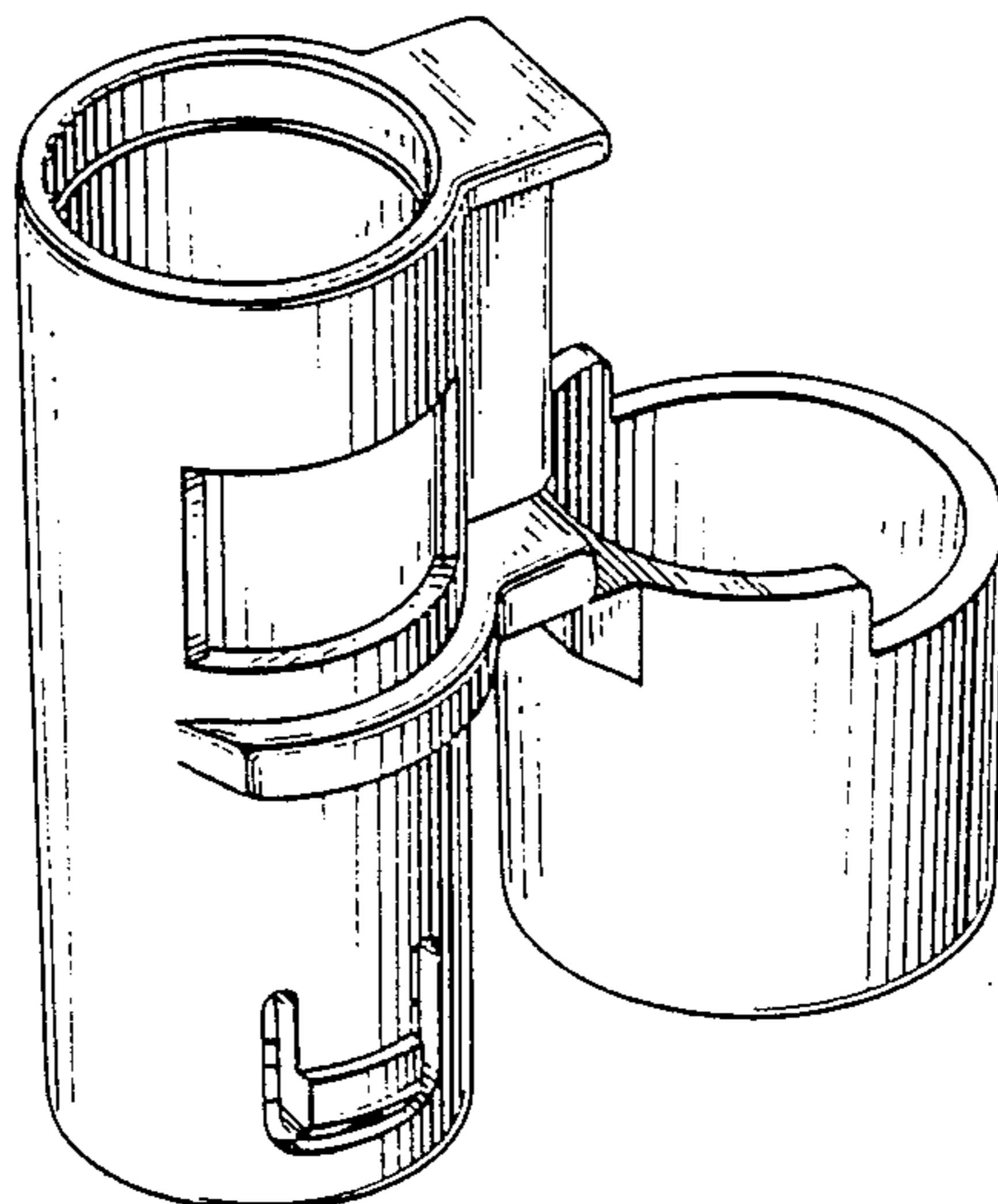


FIG. 1

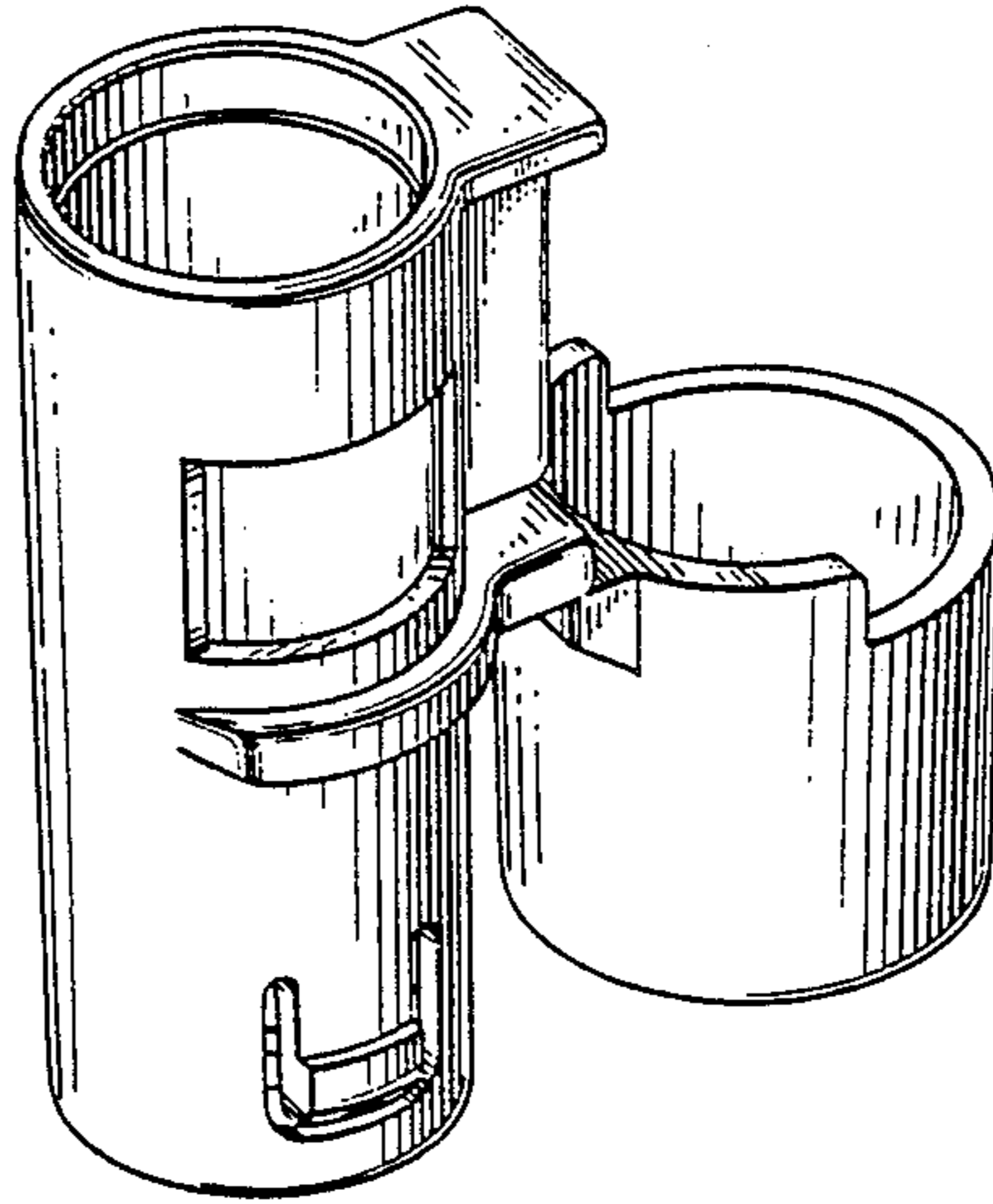


FIG. 2

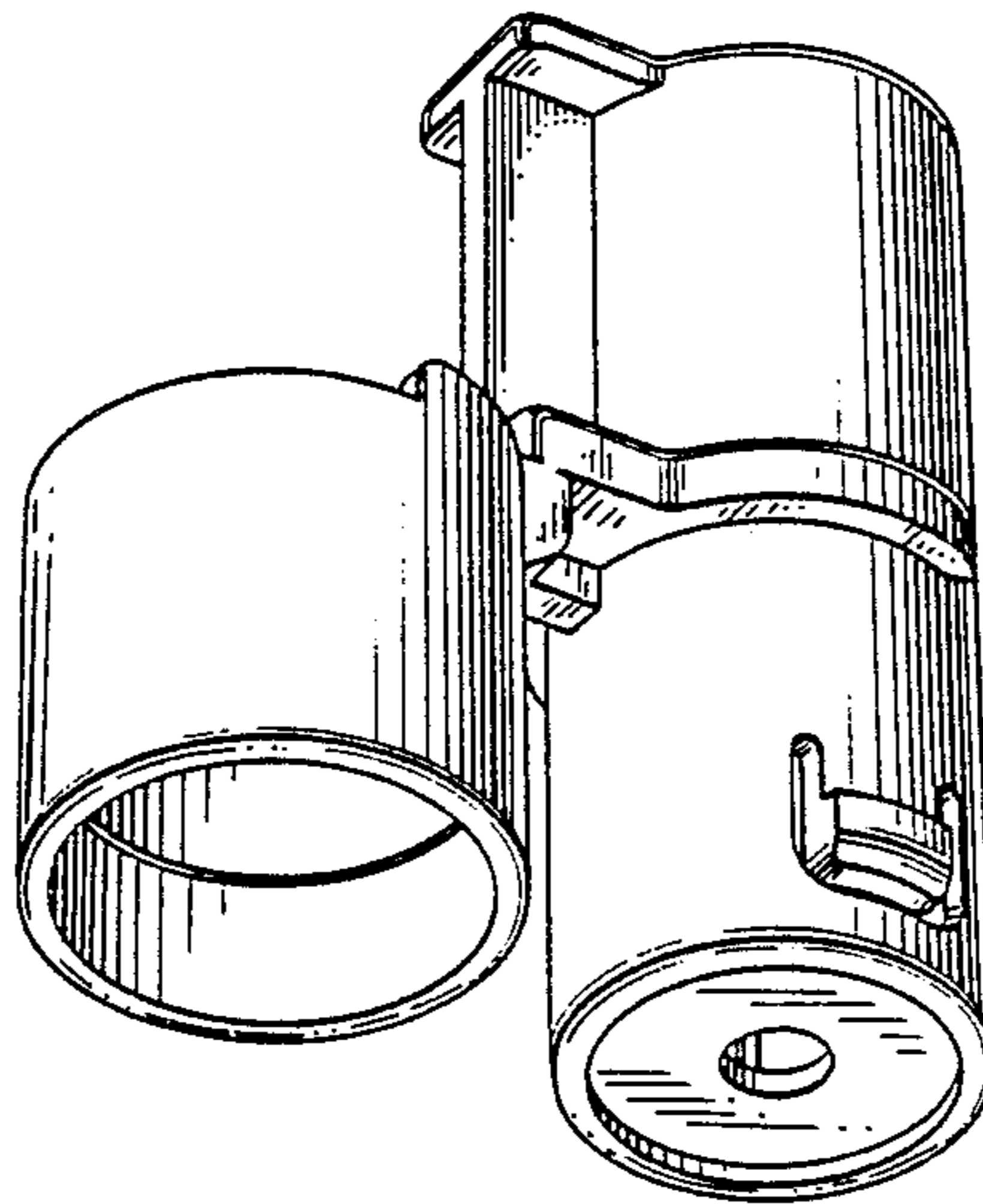


FIG. 3

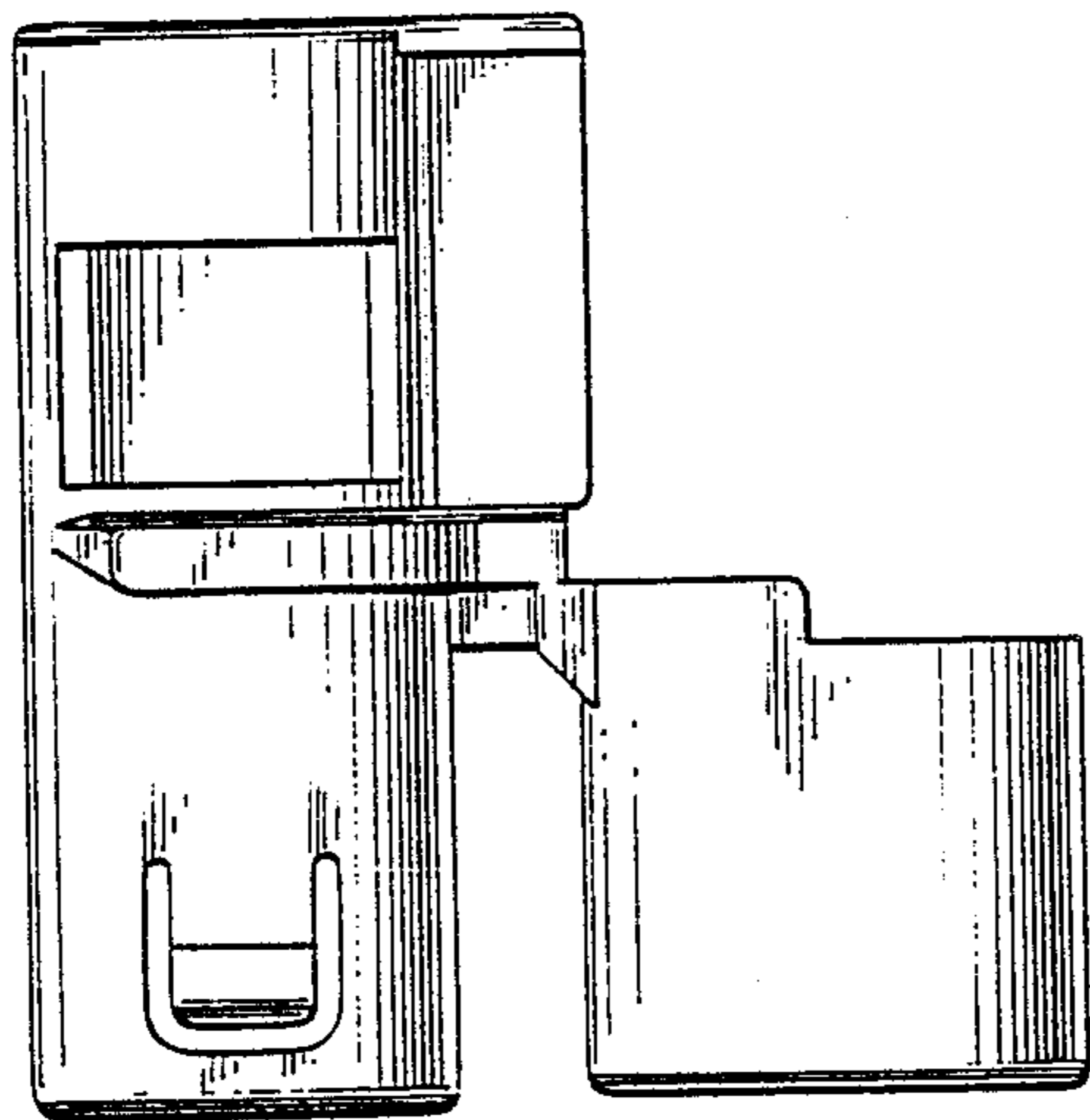


FIG. 4

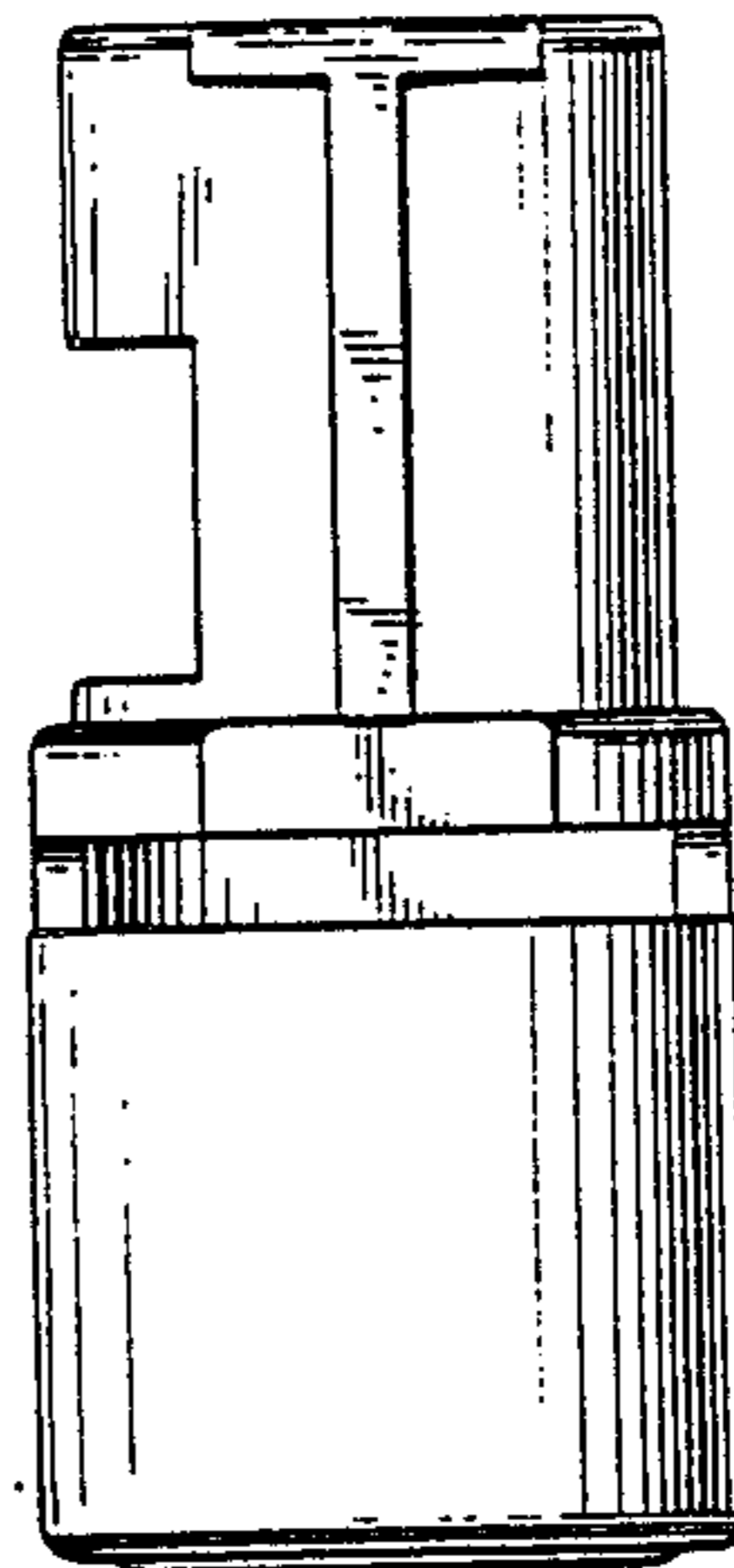


FIG. 5

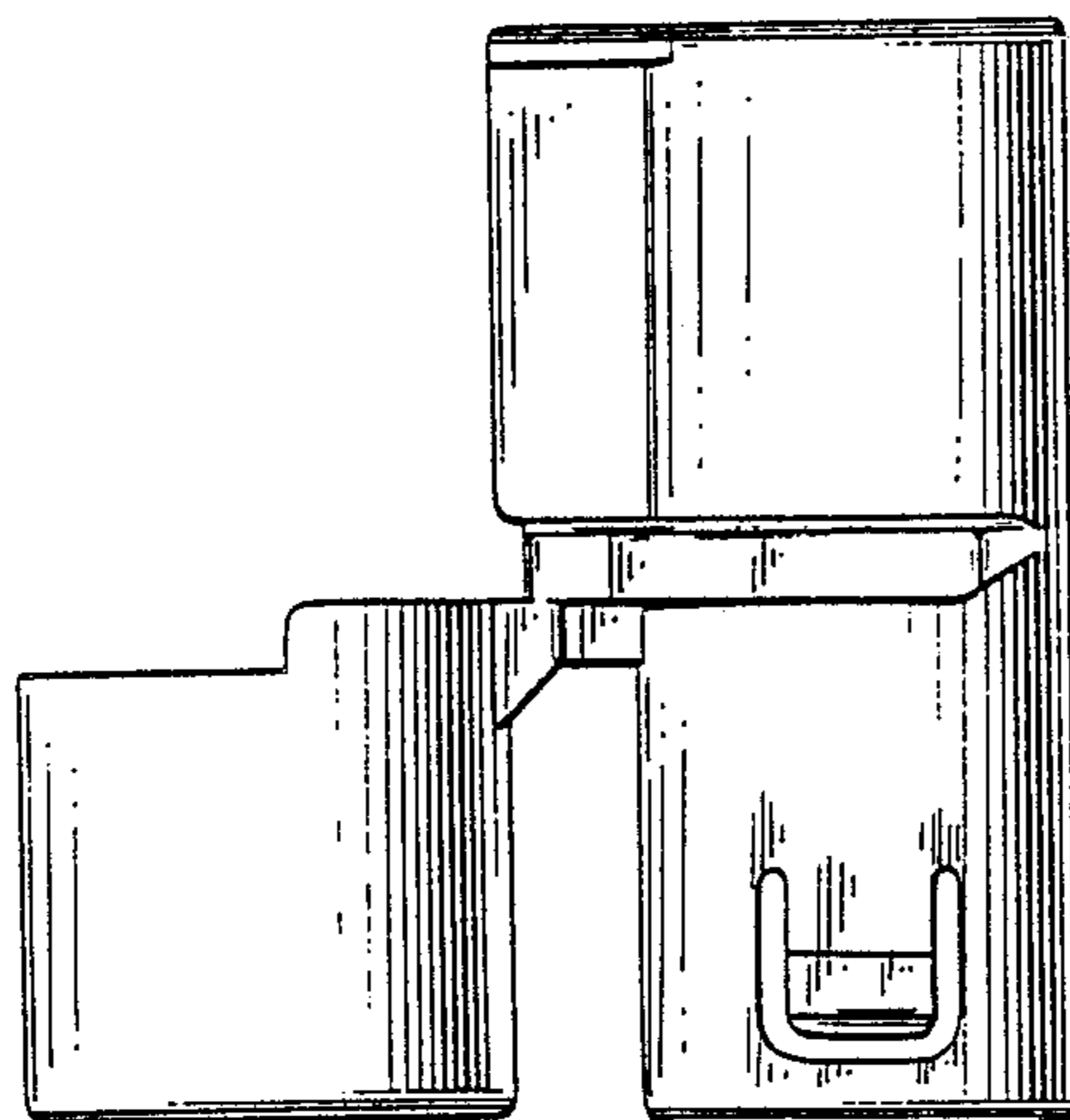


FIG. 6

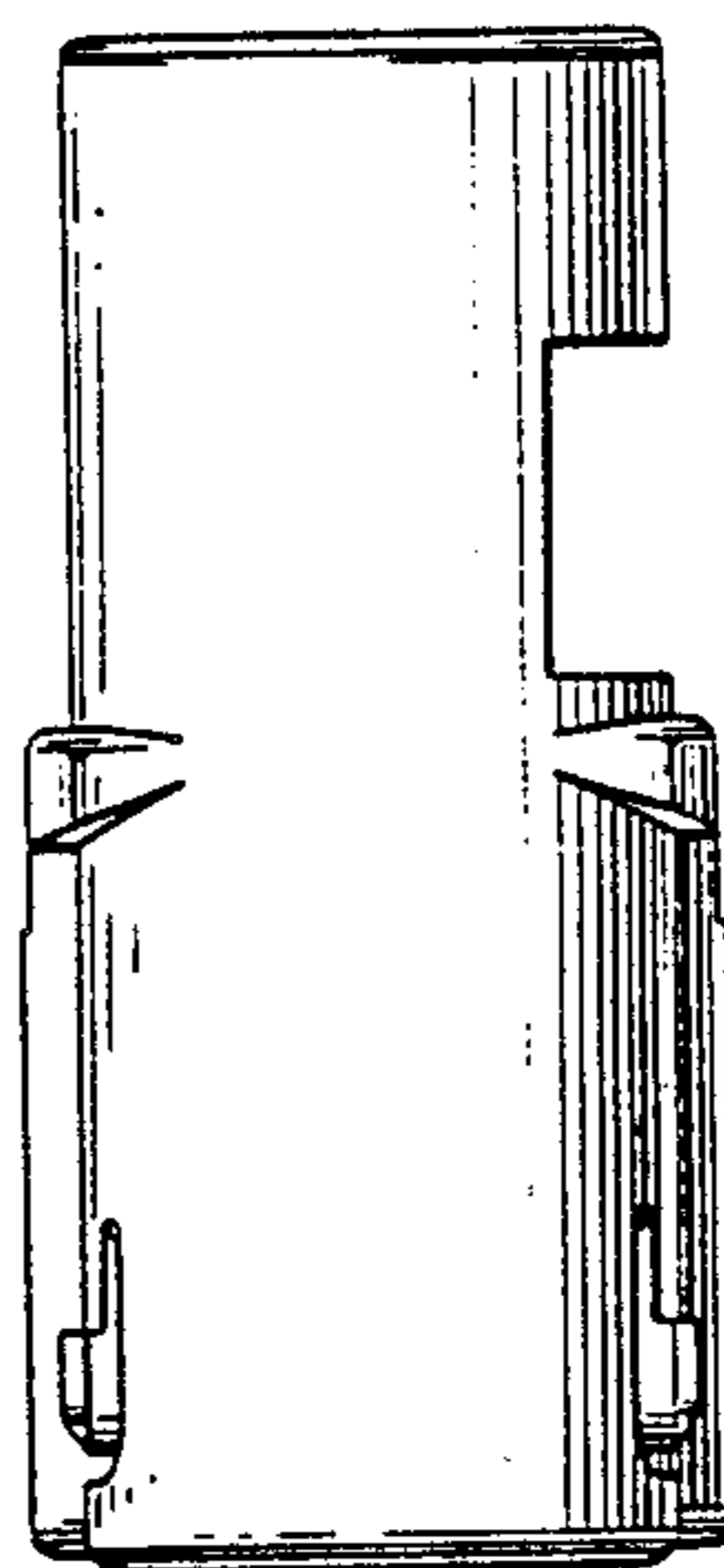


FIG. 7

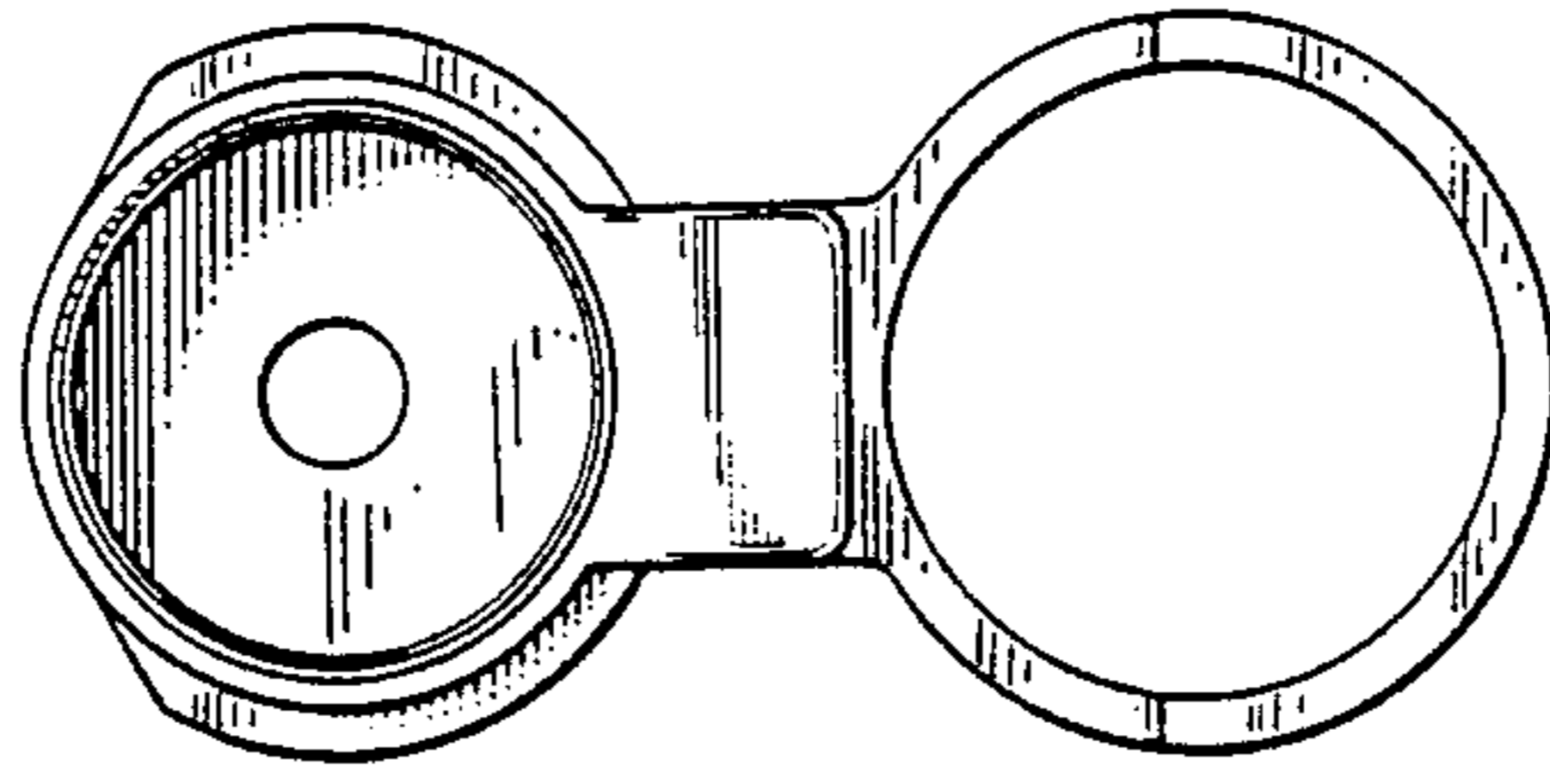


FIG. 8

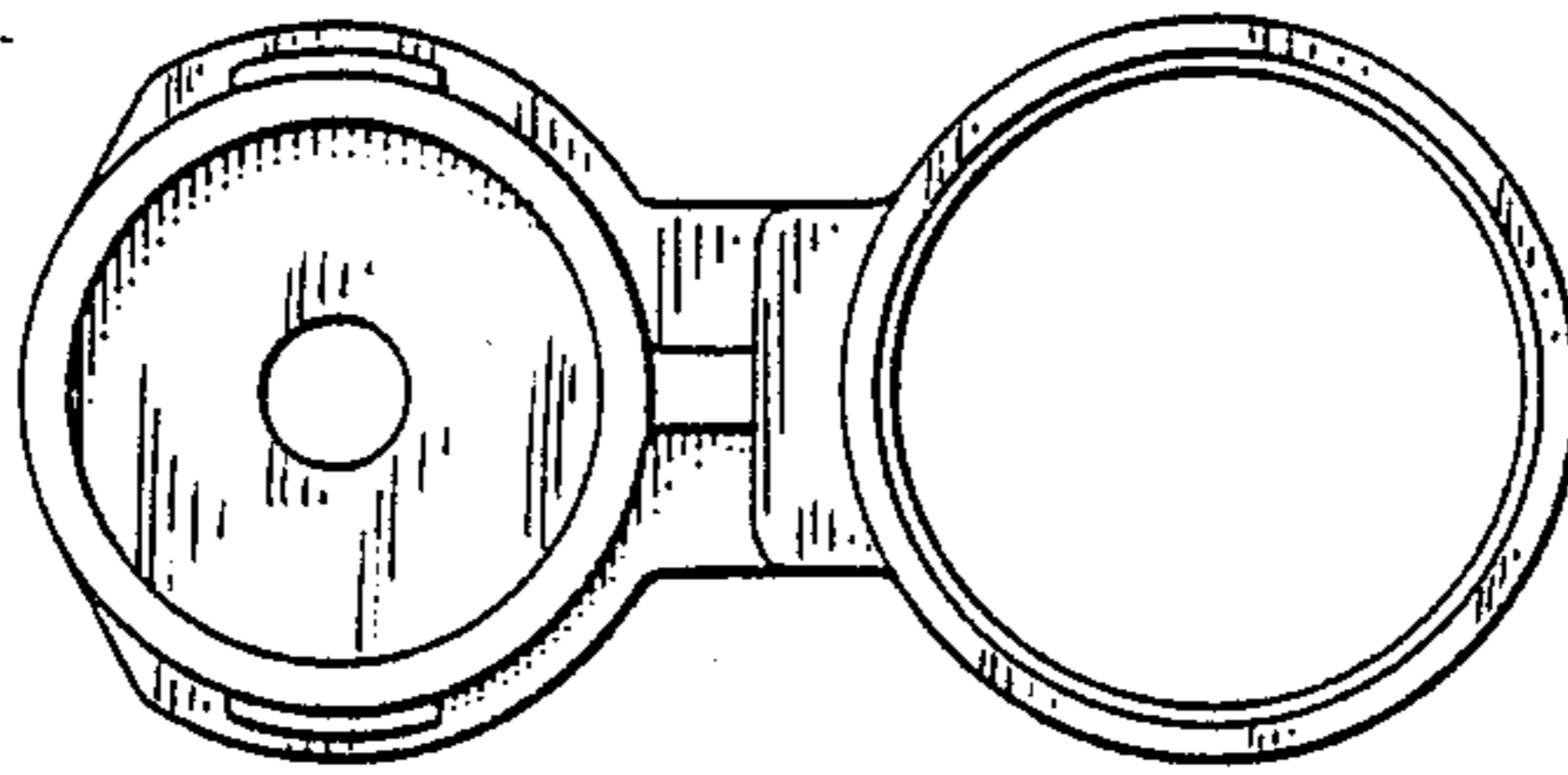


FIG. 9

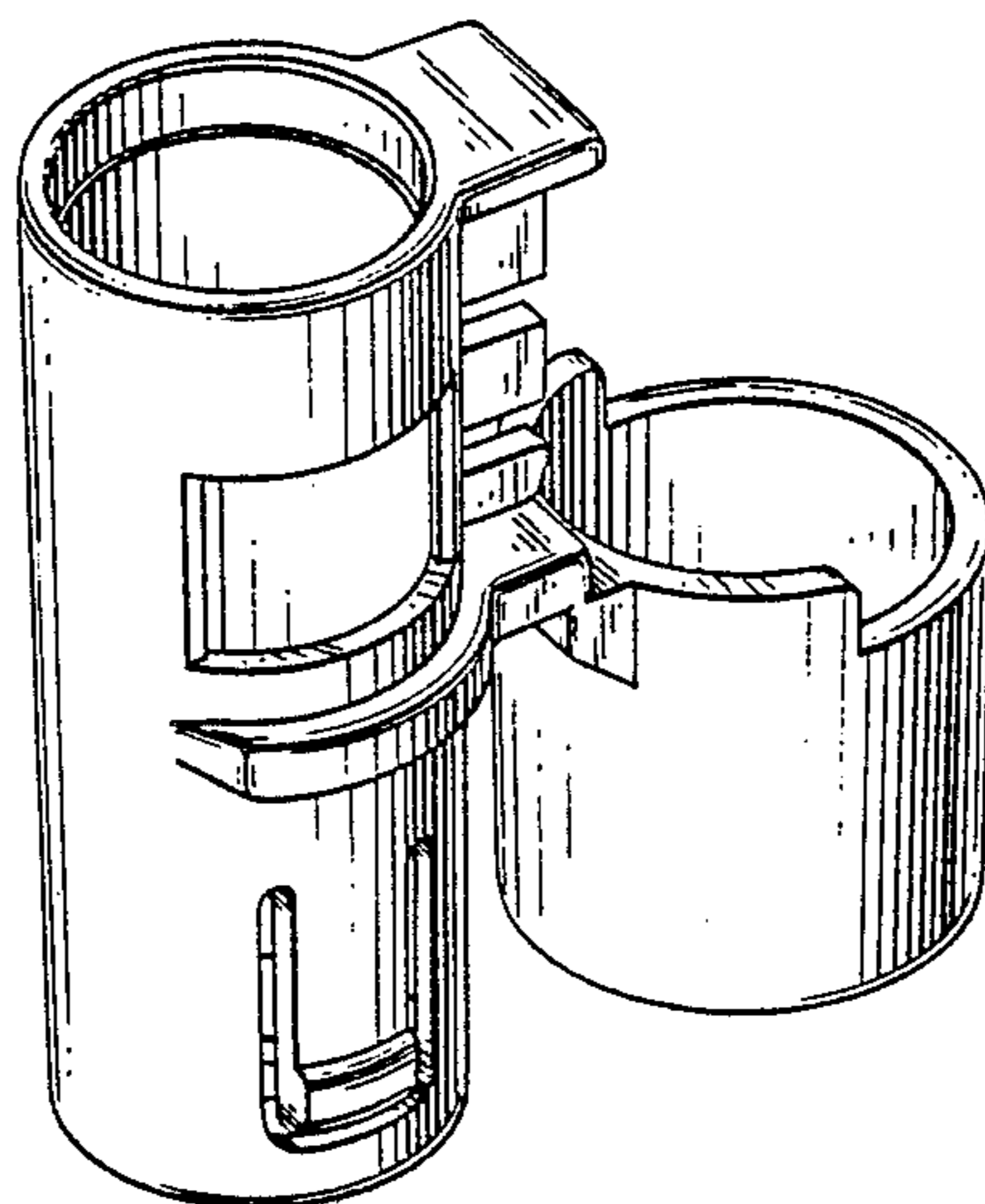


FIG. 10

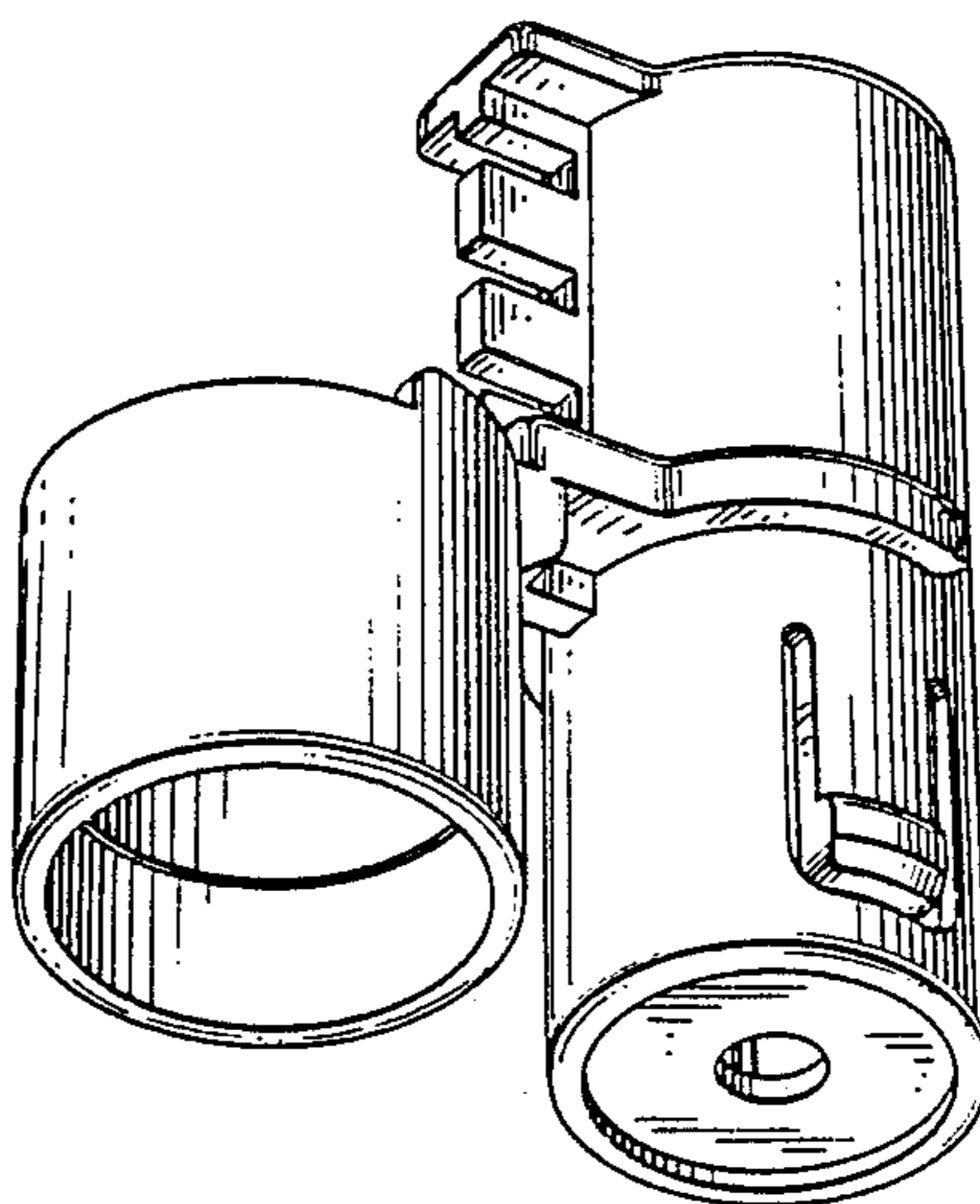


FIG. 11

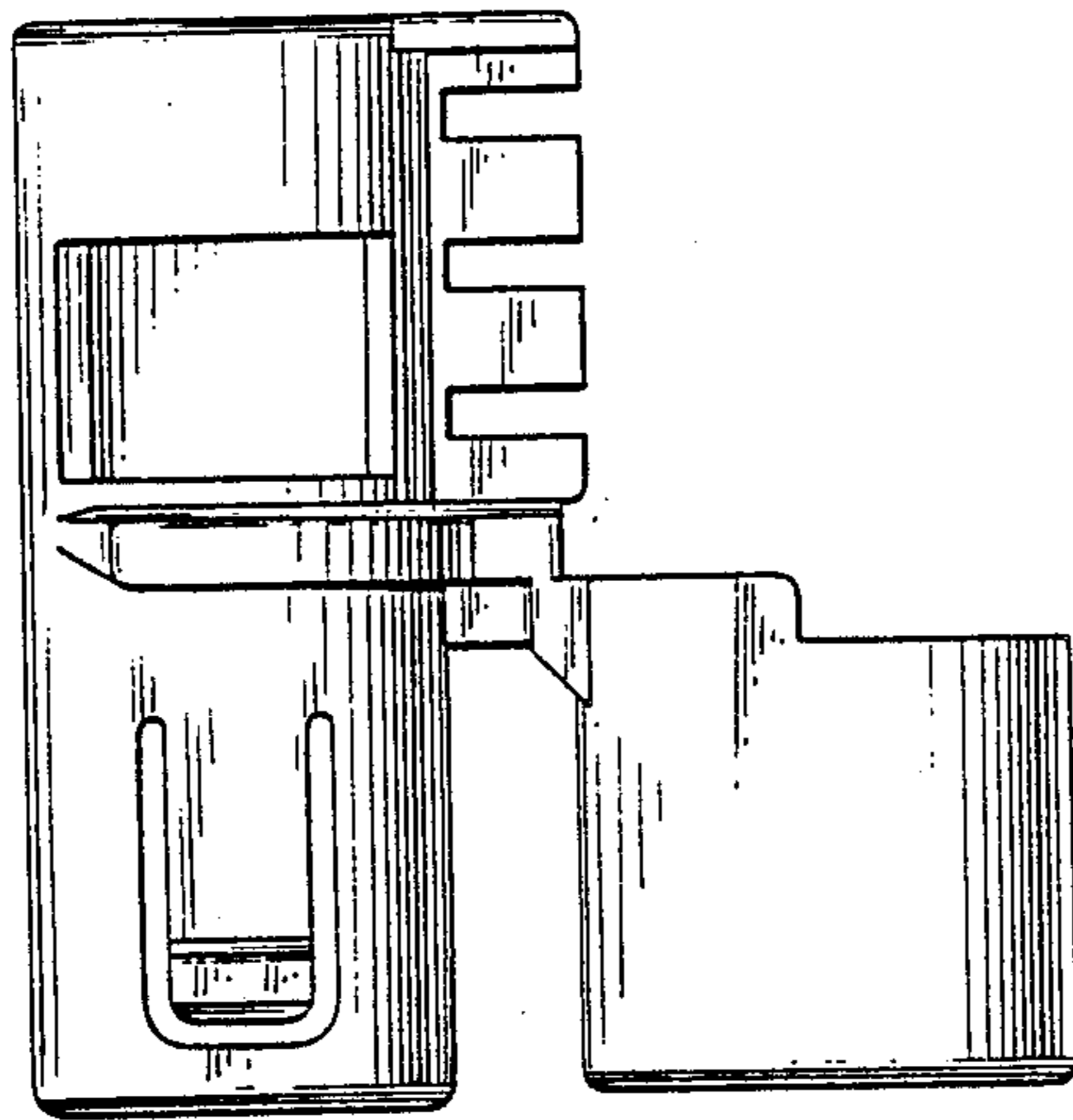


FIG. 12

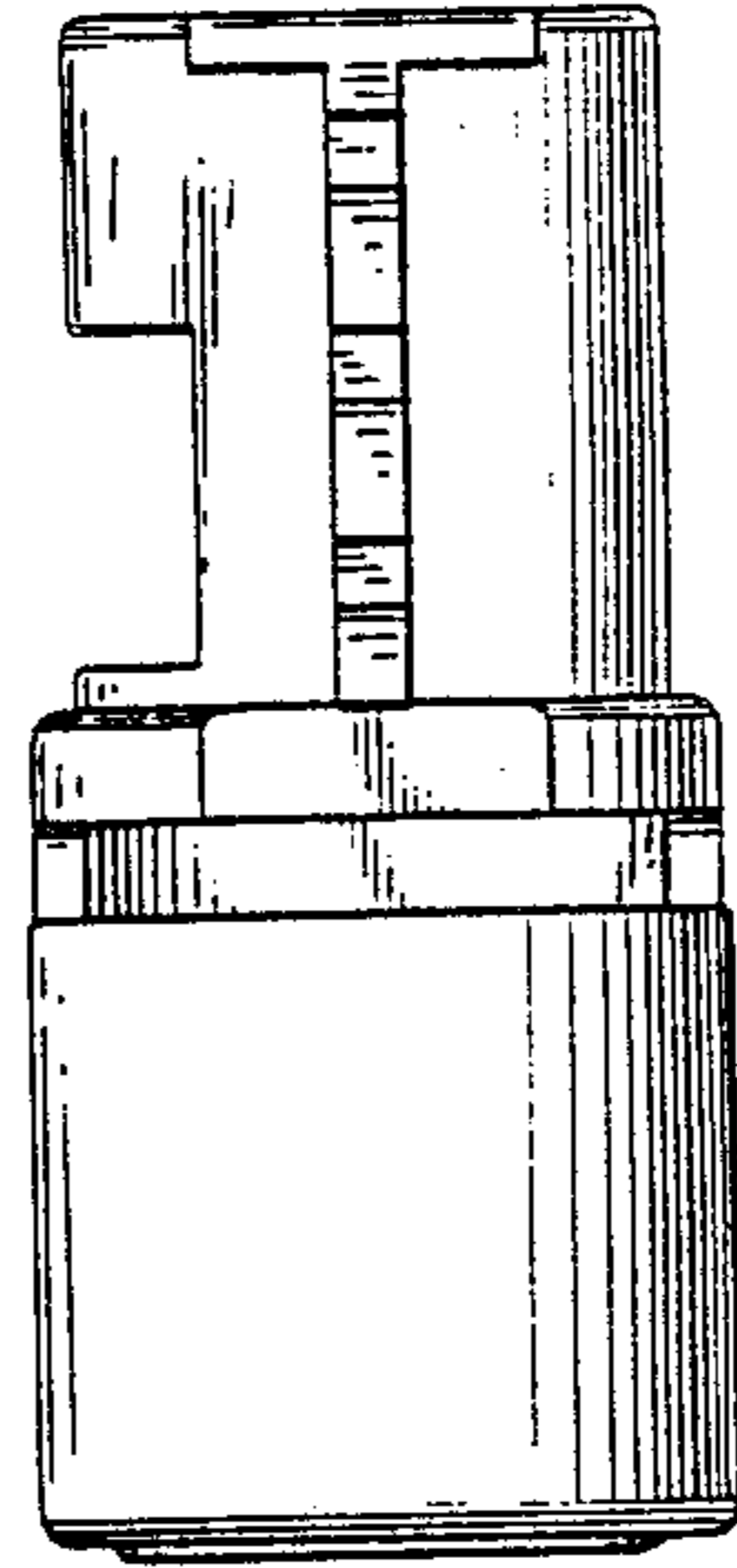


FIG. 13

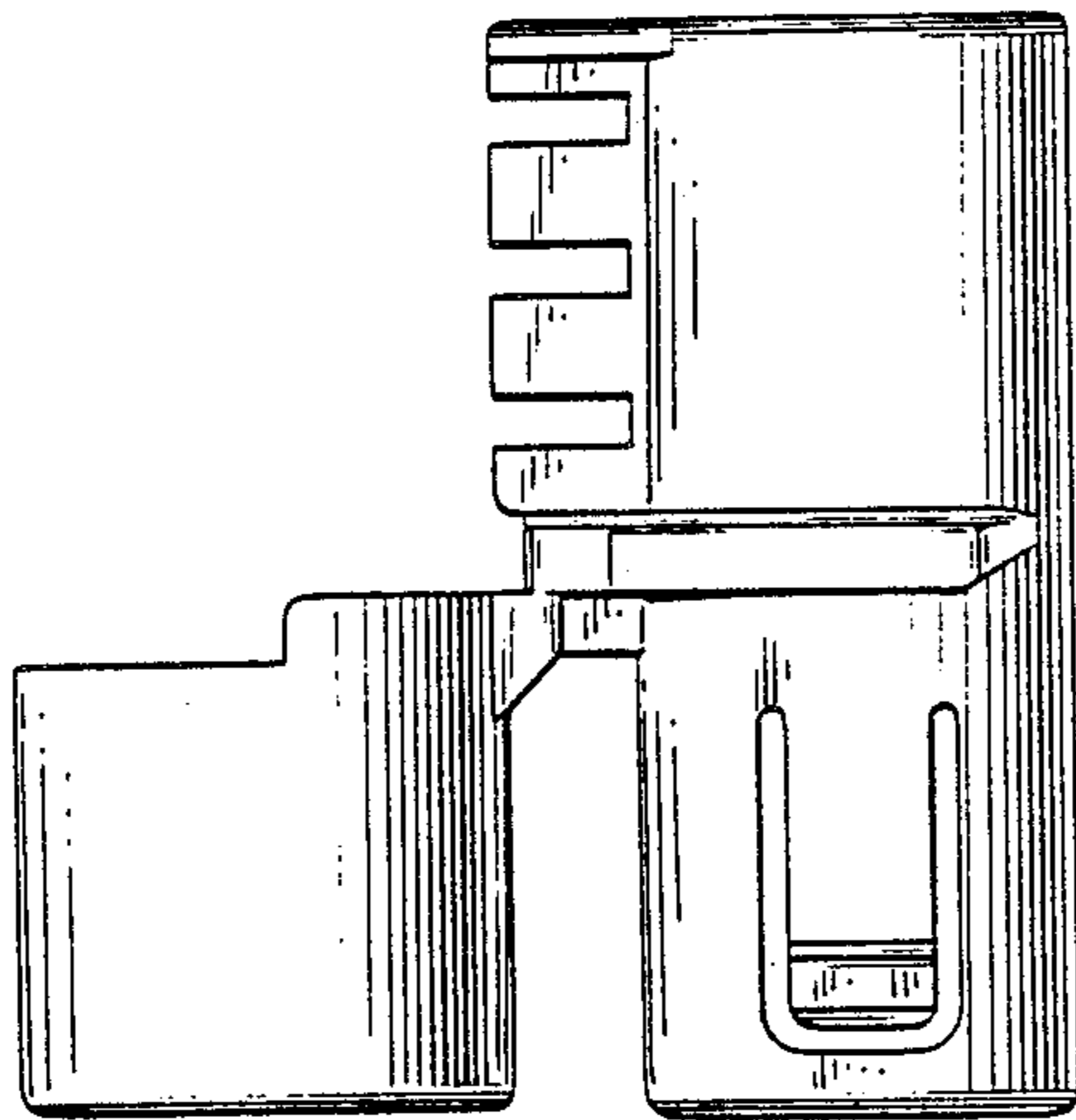


FIG. 14

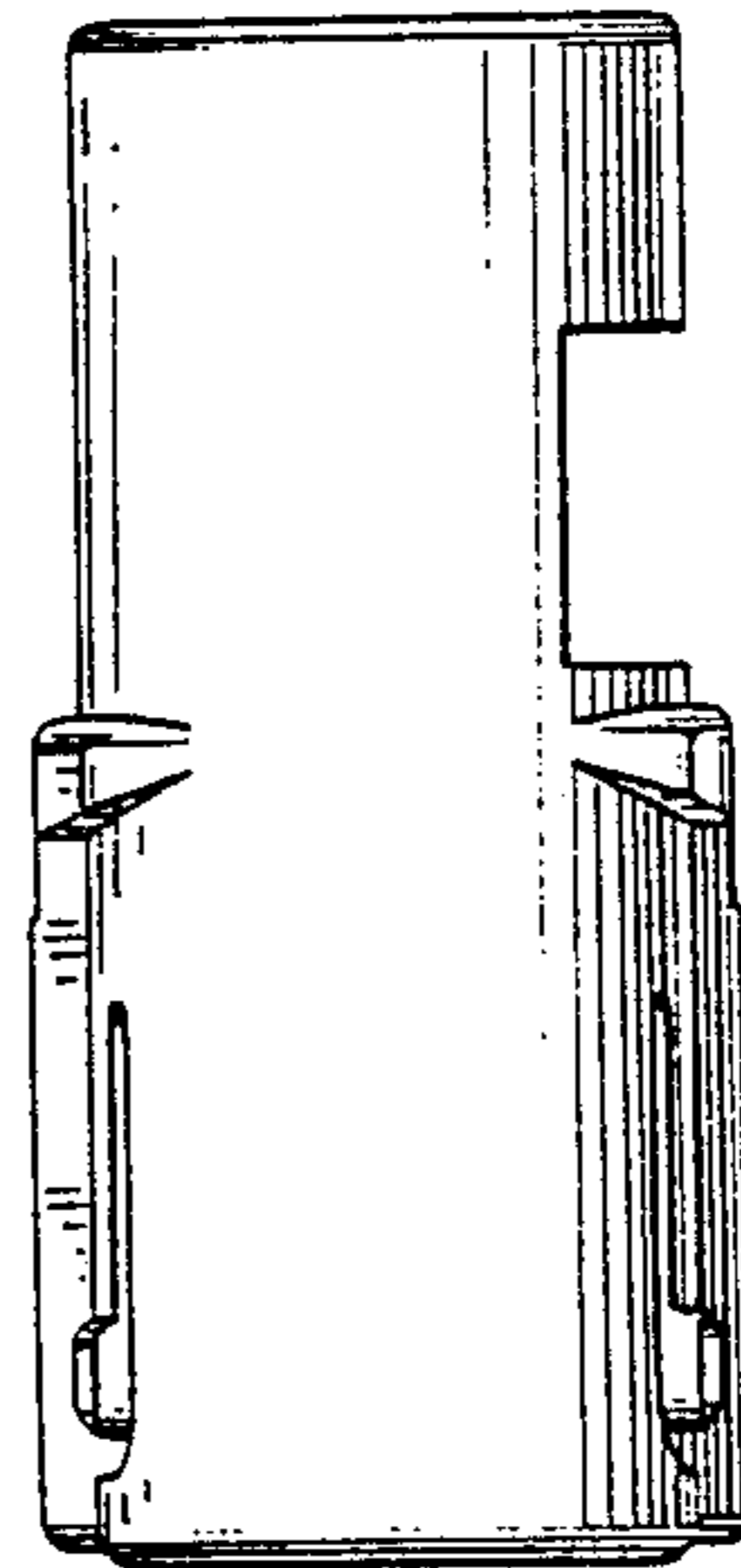


FIG. 15

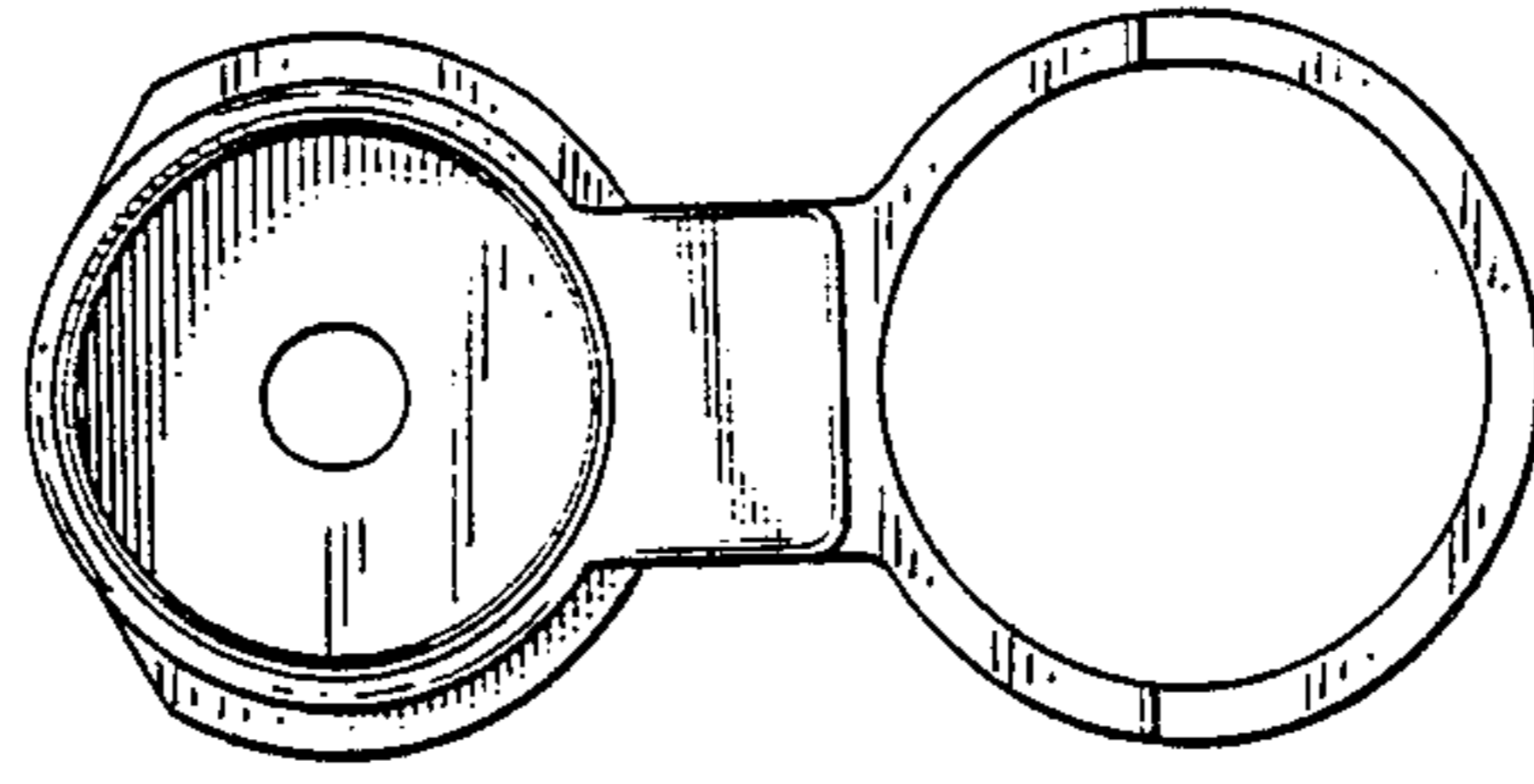


FIG. 16

