

[54] PITCH TESTER

4,692,308 9/1987 Riley et al. 422/63 X

[75] Inventors: Gerald M. Dykstra; William T. Winford, Jr., both of Memphis, Tenn.

[73] Assignee: Buckman Laboratories, Inc., Memphis, Tenn.

[**] Term: 14 Years

[21] Appl. No.: 101,167

[22] Filed: Sep. 25, 1987

[52] U.S. Cl. D10/81

[58] Field of Search D10/81, 75; 73/63, 863.24, 73/865.8; 366/14, 15, 53, 54, 91, 140, 142, 141, 241; 422/50, 55, 61, 62, 64, 68.1, 102, 104, 119, 224, 225, 257

[56] References Cited

U.S. PATENT DOCUMENTS

D. 250,834	1/1979	Ruppert	D10/81	X
D. 264,873	6/1982	Olson et al.	D10/81	X
D. 281,310	11/1985	Hattori et al.	D10/81	
D. 303,095	8/1989	Nagai et al.	D10/81	
D. 304,307	10/1989	Nagai et al.	D10/81	
2,472,419	6/1949	Green	366/140	X
4,004,782	1/1977	Jeppsen	366/14	
4,675,163	6/1987	Mybeck	422/63	X
4,676,951	6/1987	Armes et al.	422/104	X

OTHER PUBLICATIONS

Ernst Back, "The Mechanism of Pulp Resin Accumulation at Solid Surfaces", Svensk Papperstidning, 63 (1960): 17, 556.

Stroele et al., "Combating Pitch Problems with dispersing Agents" (Das Papier, 10: 264-270 (1956)) (English translation enclosed).

Chene et al., "Pitch Deposition in the Paper Mill", Assoc. Tech. Ind. Papetiere, Bull. 19(6):229-234 (1965).

Primary Examiner—Nelson C. Holtje

Assistant Examiner—Antoine D. Davis

Attorney, Agent, or Firm—Finnegan, Henderson, Farabow, Garrett & Dunner

[57] CLAIM

The ornamental design for a pitch tester, as shown and described.

DESCRIPTION

FIG. 1 is a front elevational view of pitch tester showing our new design; FIG. 2 is a top plan view; FIG. 3 is a right side elevational view, the left side elevational view being a mirror image; FIG. 4 is a rear elevational view; and FIG. 5 is a top and right-front perspective view thereof.

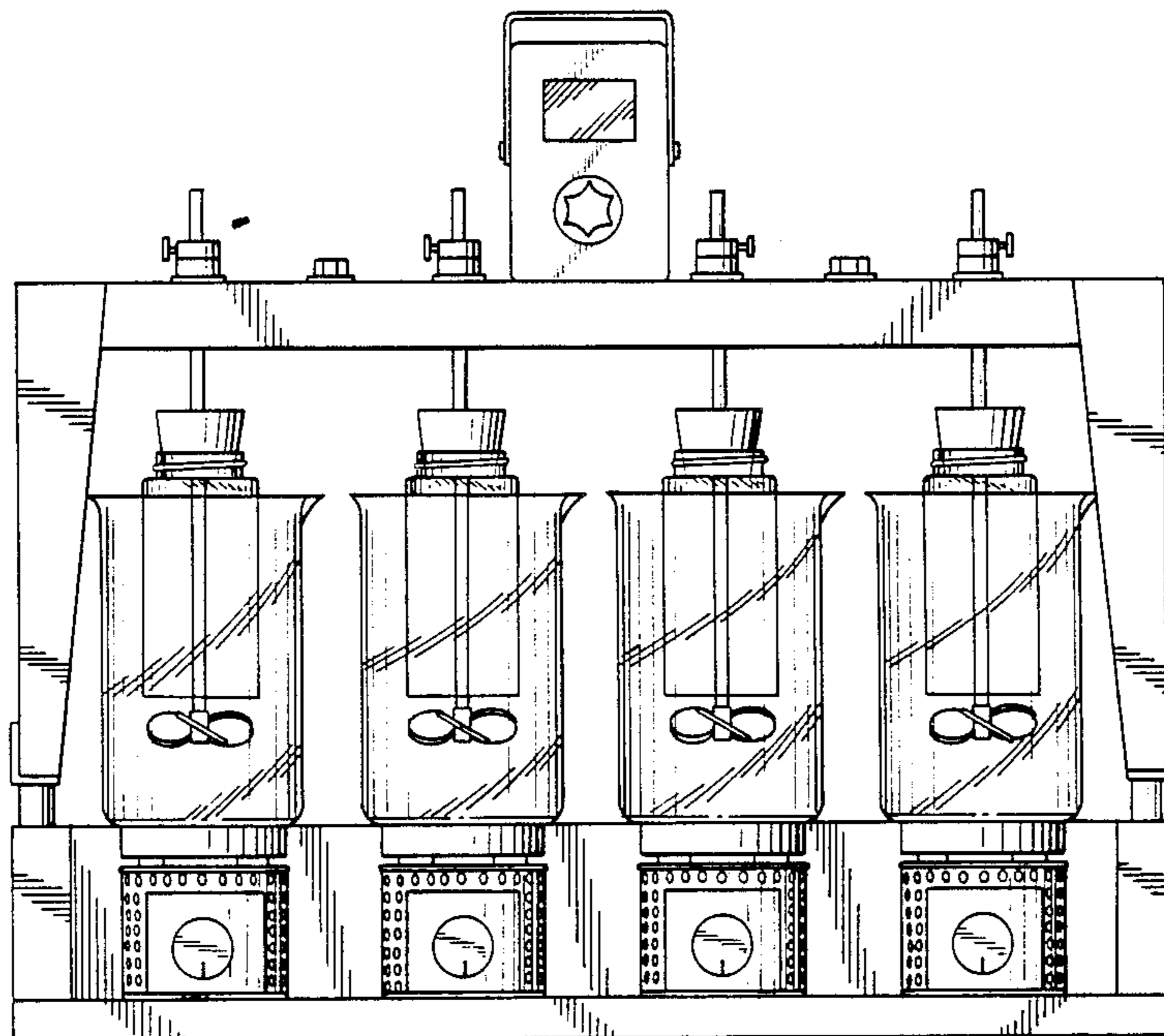


FIG. 1

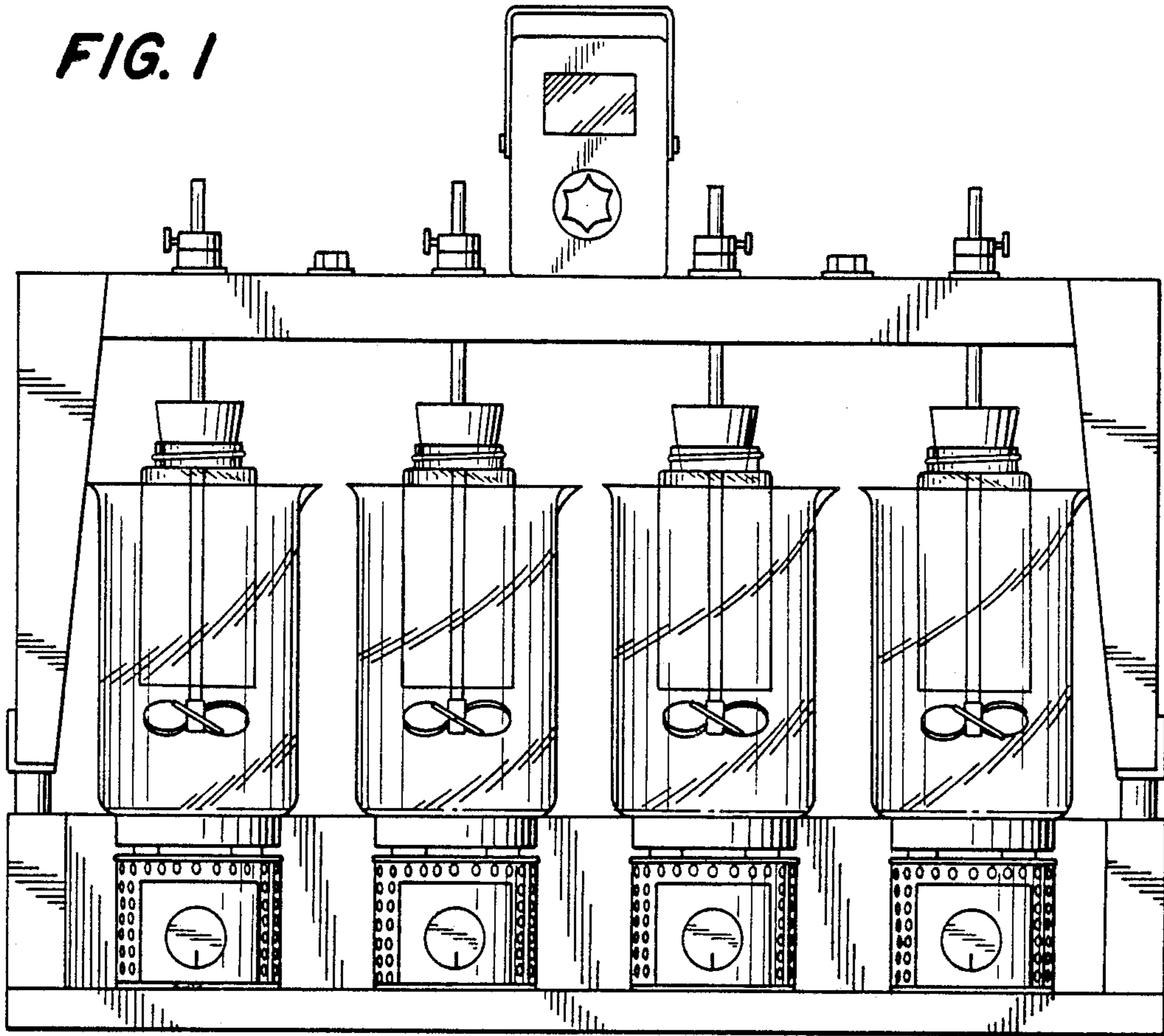


FIG. 2

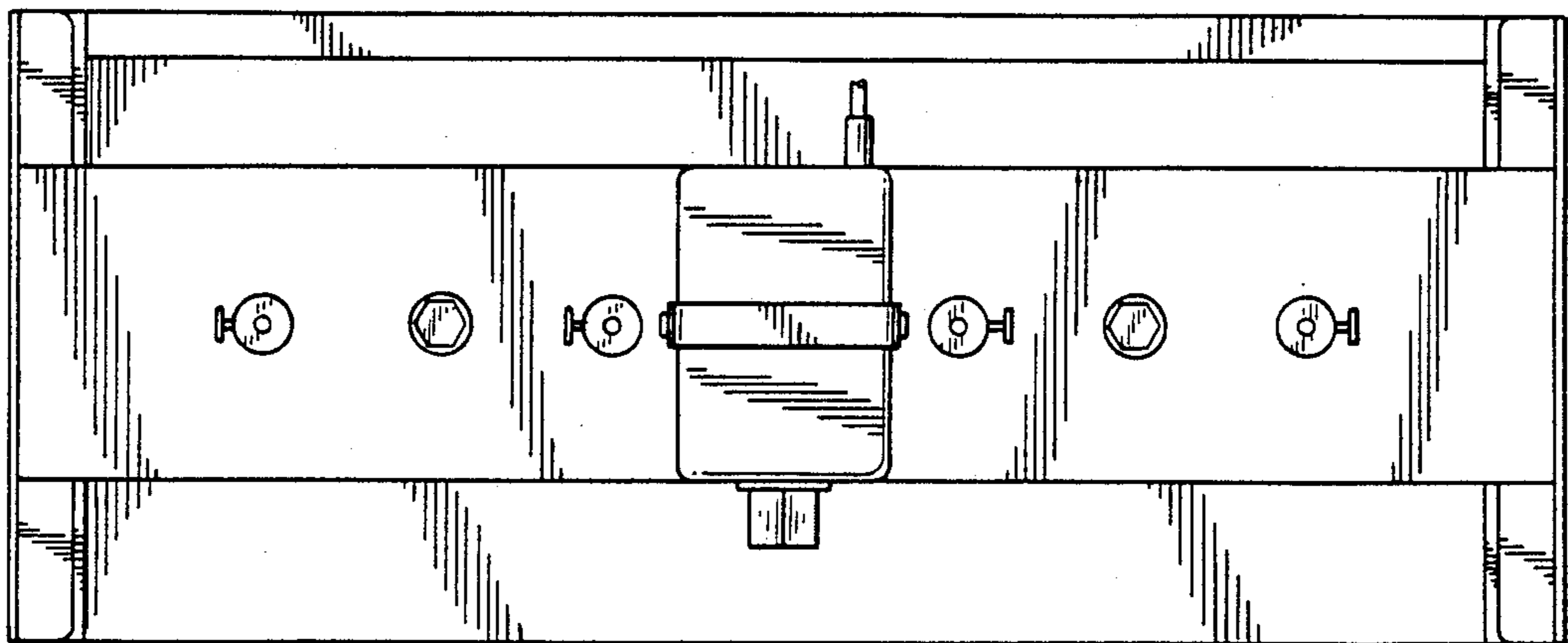


FIG. 3

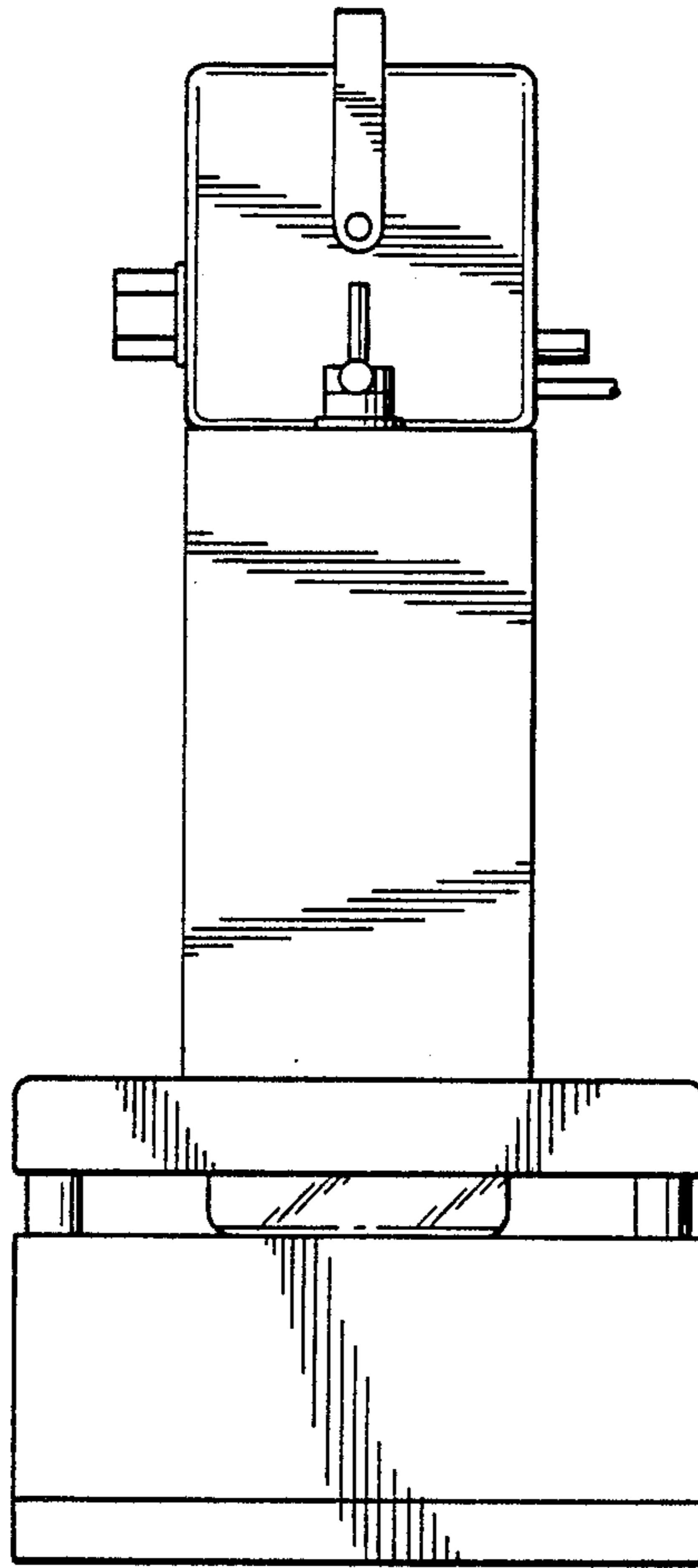


FIG. 4

