

[54] BOTTLE CONTAINER

[75] Inventor: Arthur R. Carlson, East Malvern, Australia

[73] Assignee: The Decor Corporation Proprietary Limited, Scoreby, Australia

[*] Notice: The portion of the term of this patent subsequent to Nov. 21, 2006 has been disclaimed.

[**] Term: 14 Years

[21] Appl. No.: 58,532

[22] Filed: Jun. 5, 1987

[52] U.S. Cl. D9/455; D7/603

[58] Field of Search D9/455, 341, 345, 347, D9/369; D7/70, 77, 78; 206/139, 216, 538; 222/20, 21, 71, 83

[56] References Cited

U.S. PATENT DOCUMENTS

D. 285,765 9/1986 Zieff D7/78

D. 289,722	5/1987	Neiser	D7/70
D. 297,116	8/1988	Fontana et al.	D9/347
D. 300,495	4/1989	Minuti	D7/70
D. 302,114	7/1989	Ashby	D9/345
3,397,804	8/1986	Davis	220/20

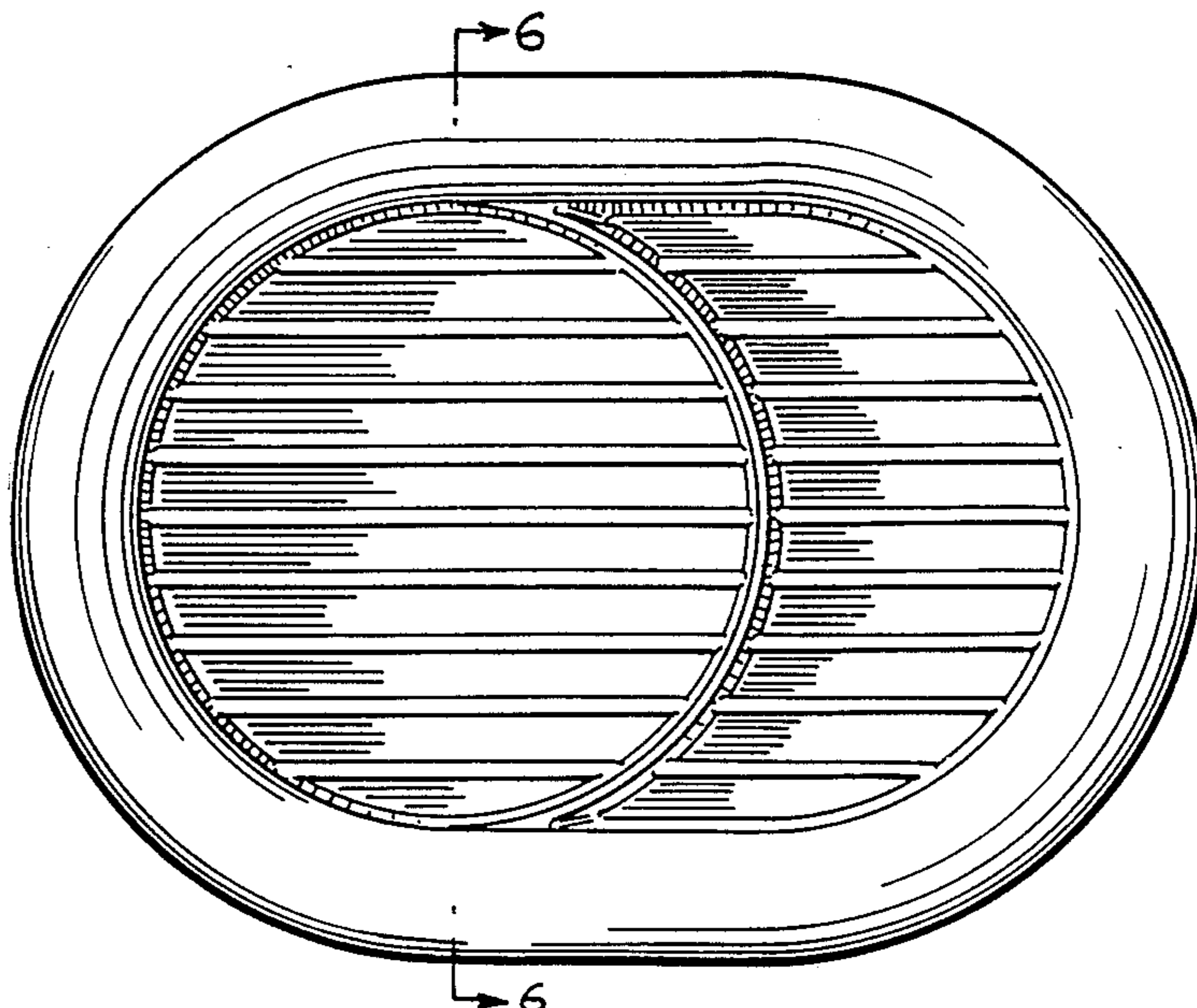
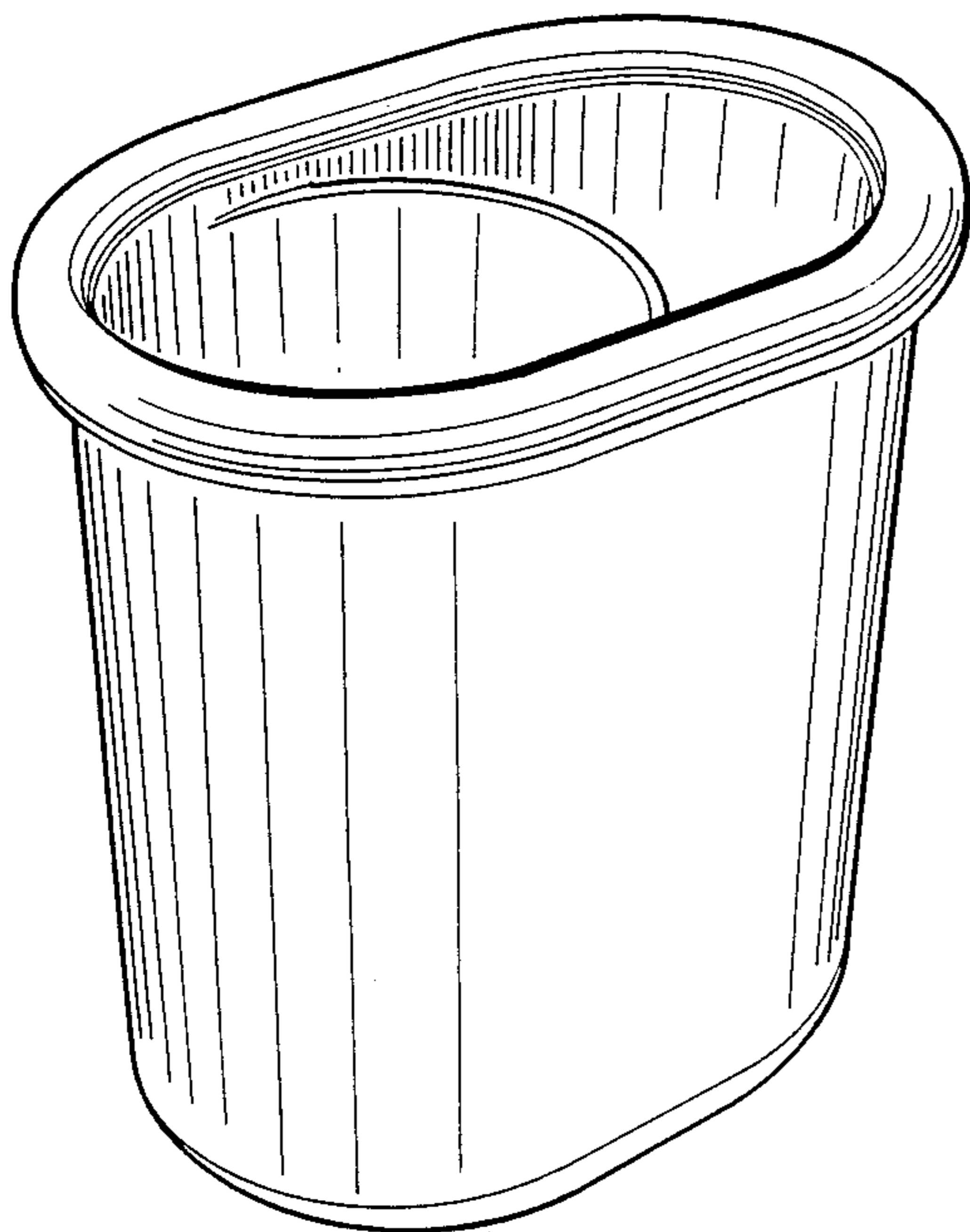
Primary Examiner—B. J. Bullock
Assistant Examiner—Dominic Simone
Attorney, Agent, or Firm—Richard Bushnell

[57] CLAIM

The ornamental design for a bottle container, as shown.

DESCRIPTION

FIG. 1 is a top front perspective view of a bottle container showing my new design;
FIG. 2 is a rear bottom perspective view thereof;
FIG. 3 is a front elevational view thereof, the rear being identical;
FIG. 4 is a top plan view thereof;
FIG. 5 is a side elevational view thereof, the opposite side being identical; and
FIG. 6 is a cross-sectional view thereof taken in the direction of the arrows on line 6—6 of FIG. 4.



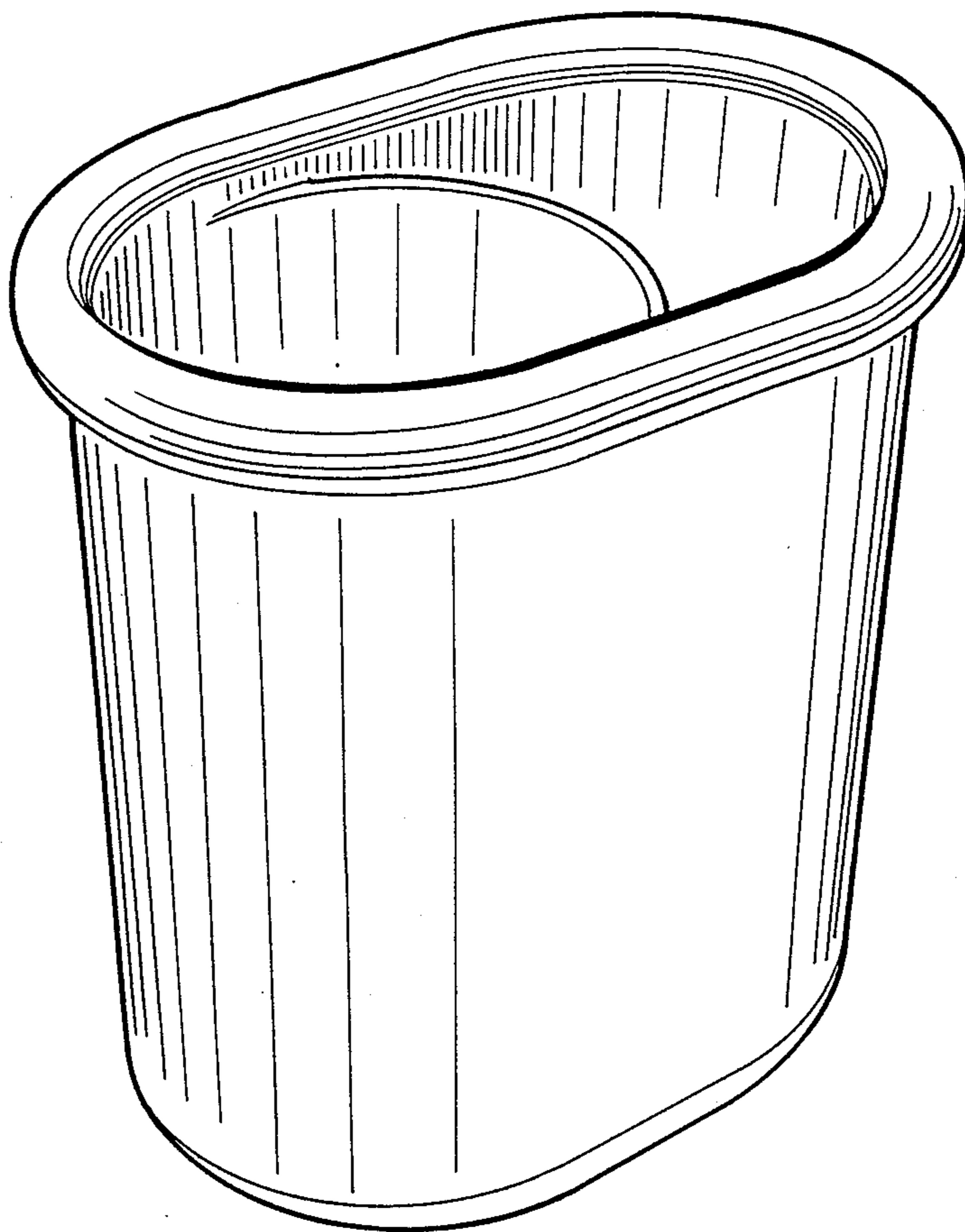


FIG. 1.

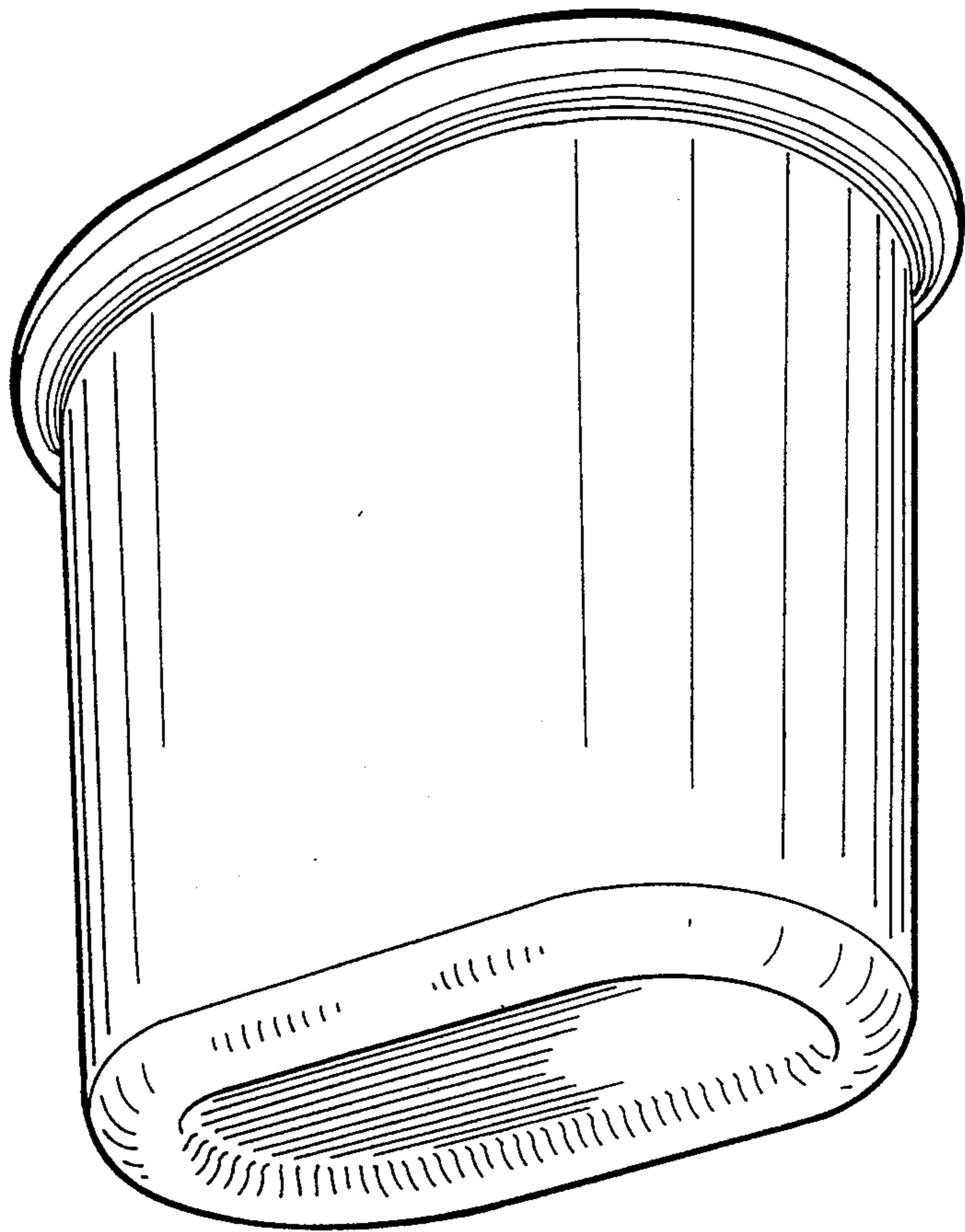


FIG. 2.

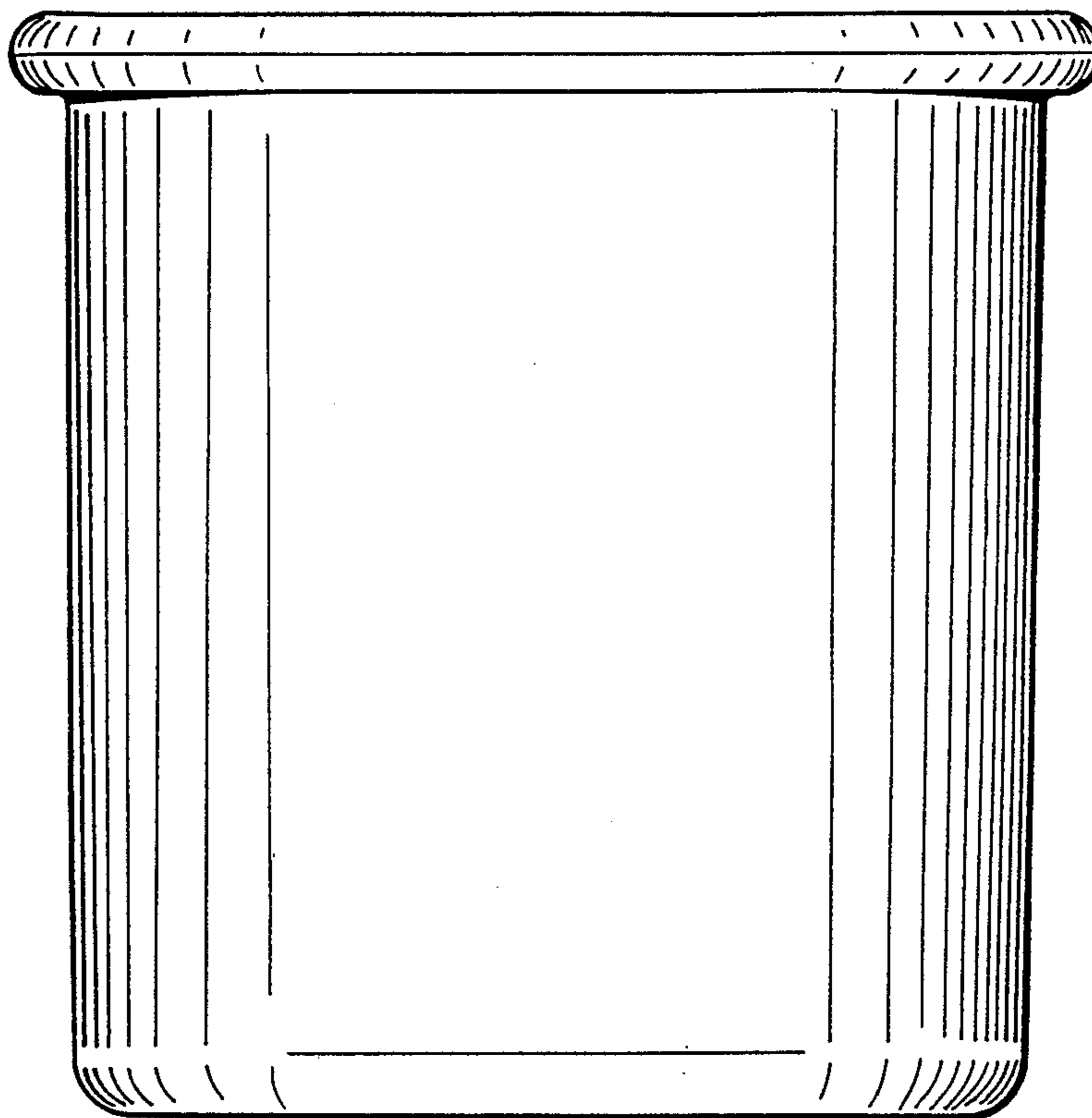


FIG. 3.

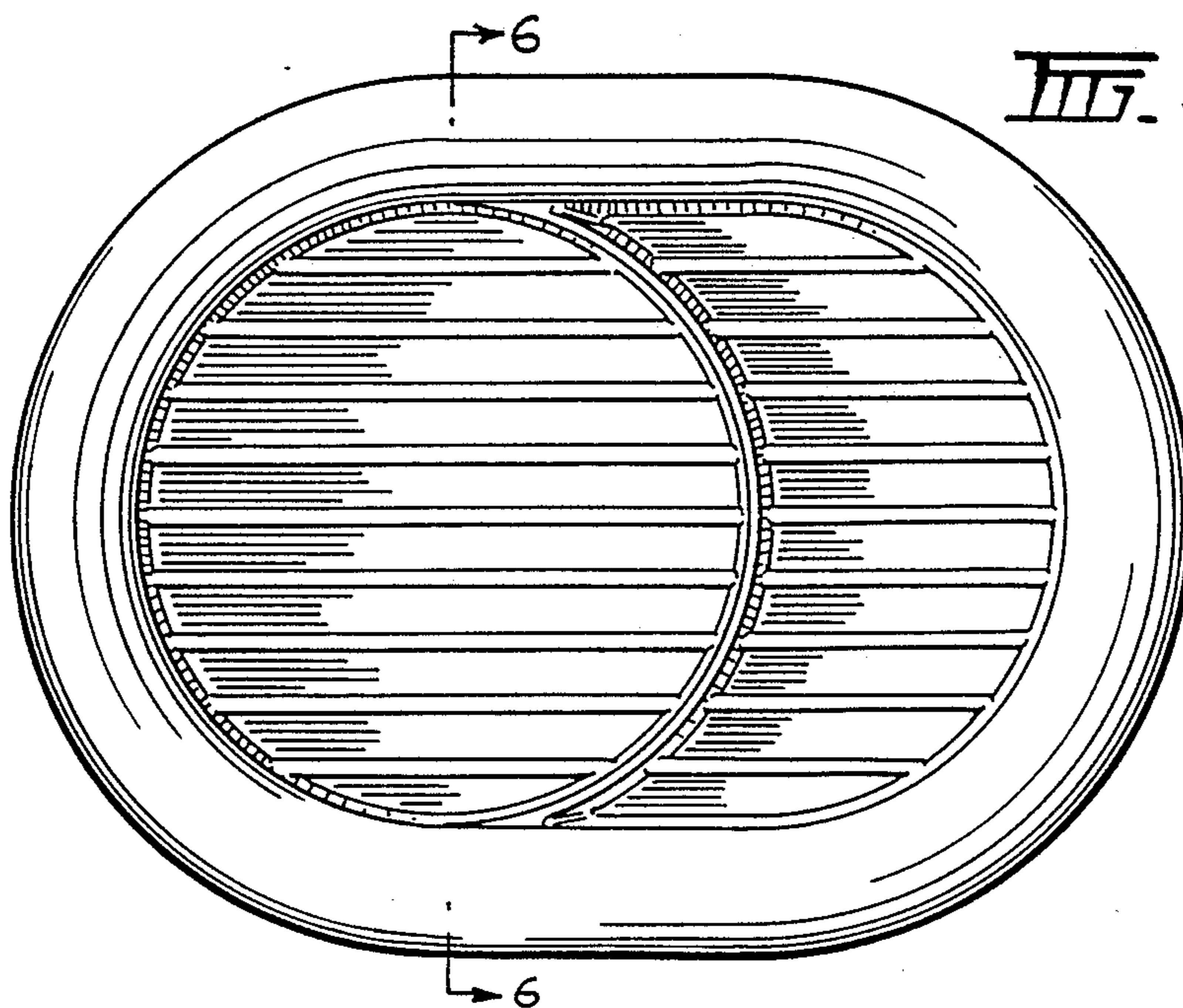


FIG. 4.

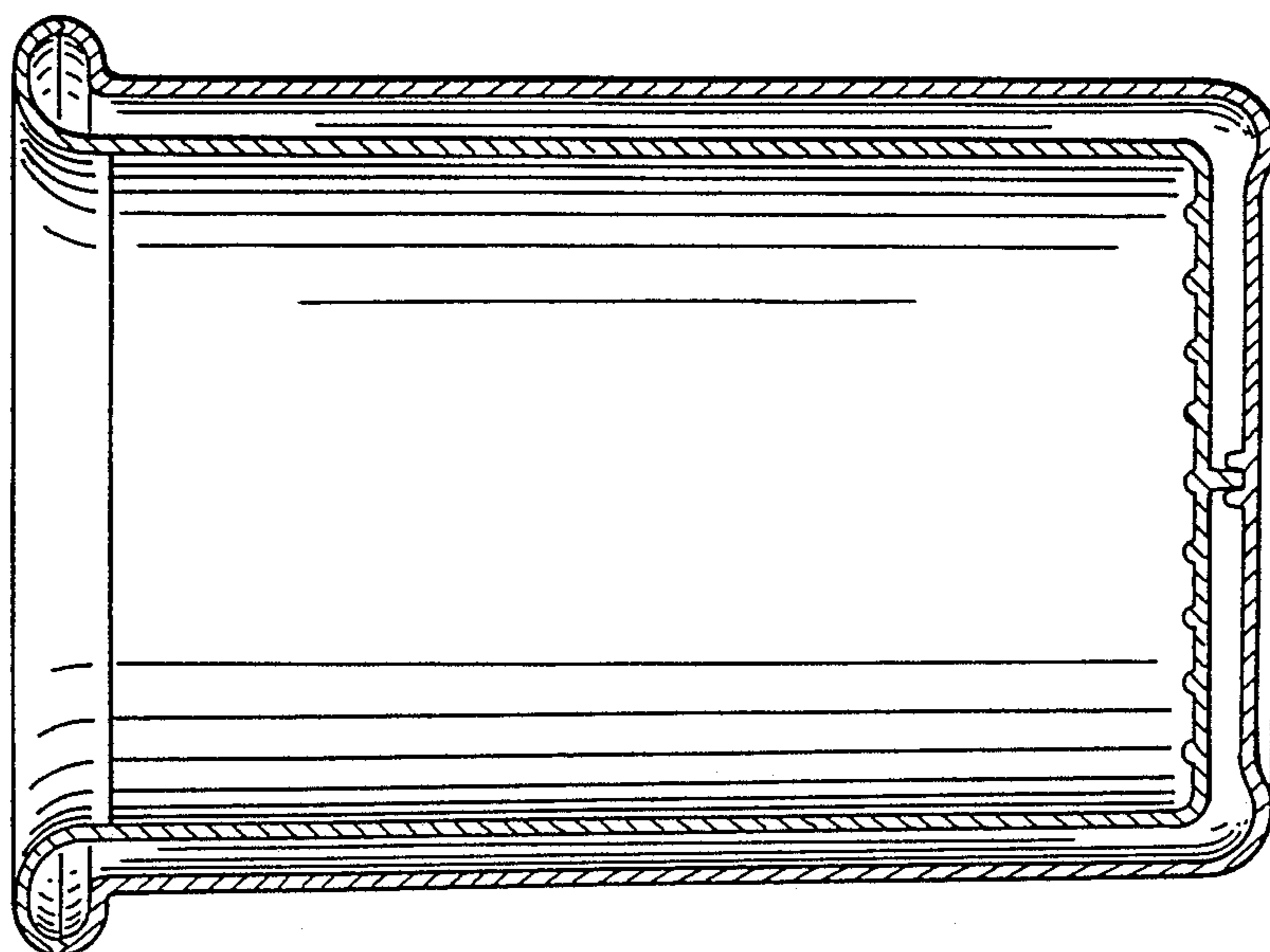


FIG. 6.

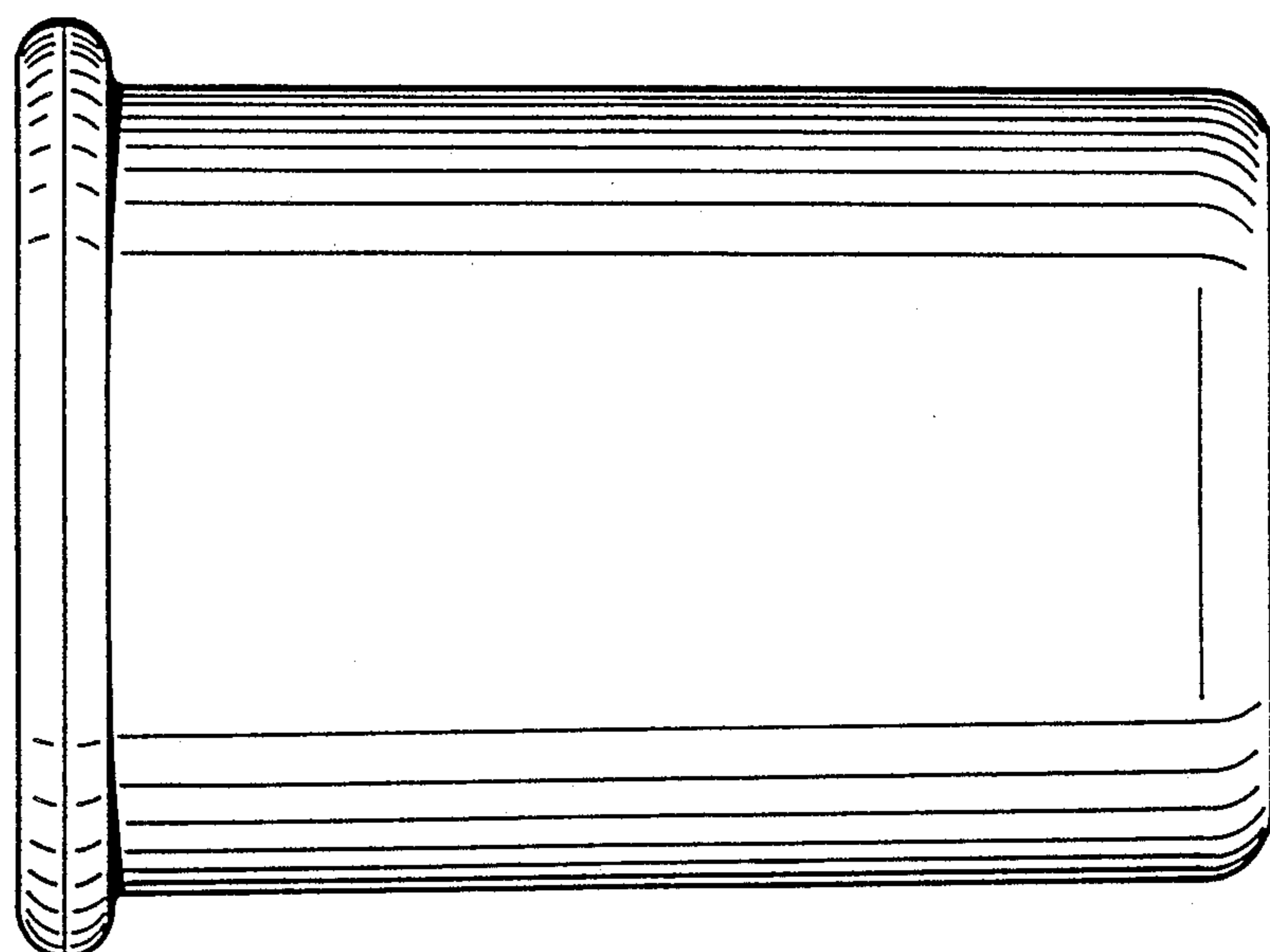


FIG. 5.