

[54] BEER KEG CAP

D. 298,608 11/1988 Dewing ..... D9/452  
628,747 7/1899 Bokel ..... 217/98  
4,572,390 2/1986 Guittmann ..... 217/98

[75] Inventor: Kenneth J. Armstrong, North Rocks, Australia

Primary Examiner—Bernard Ansher  
Assistant Examiner—Dominic Simone  
Attorney, Agent, or Firm—Fitch, Even, Tabin & Flannery

[73] Assignee: Arlco Pty. Limited, Mascot, Australia

[\*\*] Term: 14 Years

[57] CLAIM

[21] Appl. No.: 57,975

The ornamental design for a beer keg cap as shown and described.

[22] Filed: Jun. 4, 1987

[30] Foreign Application Priority Data

DESCRIPTION

Dec. 19, 1986 [AU] Australia ..... 8014/86

FIG. 1 is a perspective view of a beer keg cap showing my new design;

[52] U.S. Cl. .... D9/453; D9/452

FIG. 2 is a top plan view thereof;

[58] Field of Search ..... D9/434, 435, 444, 452,

FIG. 3 is a bottom plan view thereof;

D9/453, 443; 217/76, 98; 215/201, 208, 216, 217, 224, 235, 250, 252, 258, 261, 262, 277, 296, 298, 305, 306, 316, 365; 222/556, 563, 572

FIG. 4 is an elevation as viewed in the direction of arrow 4 in FIG. 1;

[56] References Cited

FIG. 5 is an elevational as viewed in the direction of arrow 5 in FIG. 1;

U.S. PATENT DOCUMENTS

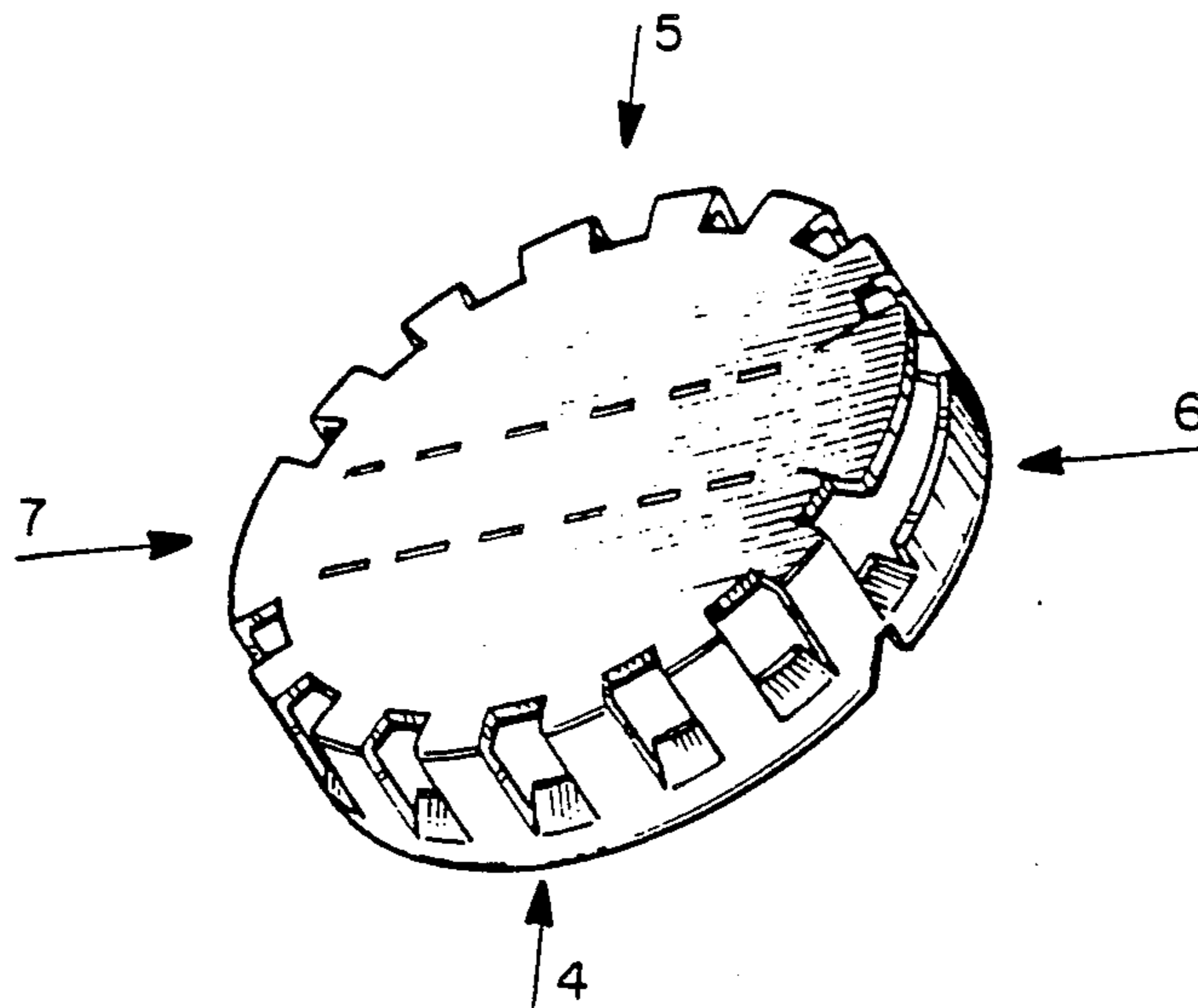
FIG. 6 is an elevation as viewed in the direction of arrow 6 in FIG. 1;

D. 101,623 10/1936 Fleisch ..... D9/453

FIG. 7 is an elevation as viewed in the direction of arrow in FIG. 1.

D. 256,674 9/1980 Hoyt ..... D9/443

D. 263,933 4/1982 Jones et al. .... D9/452



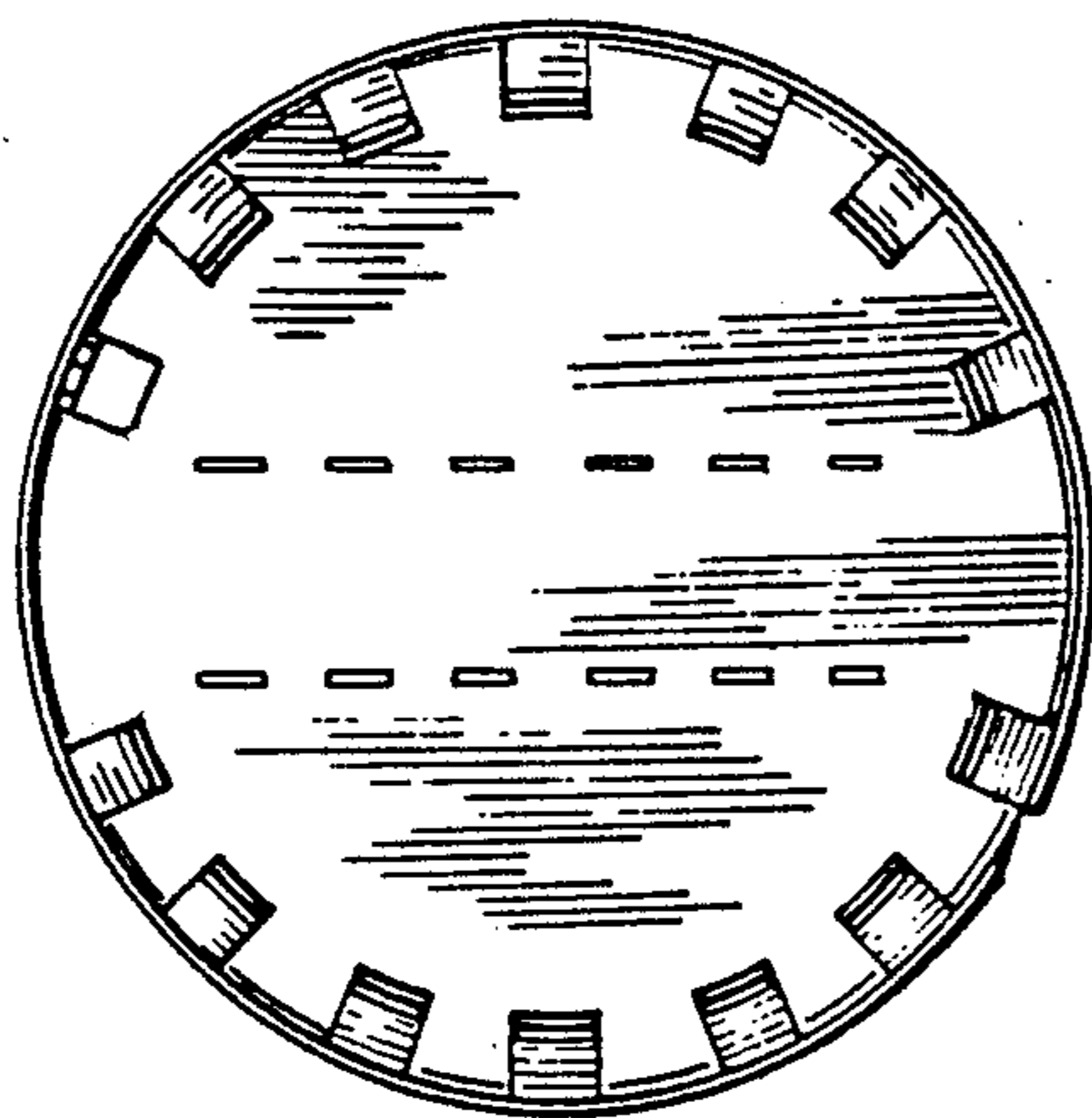
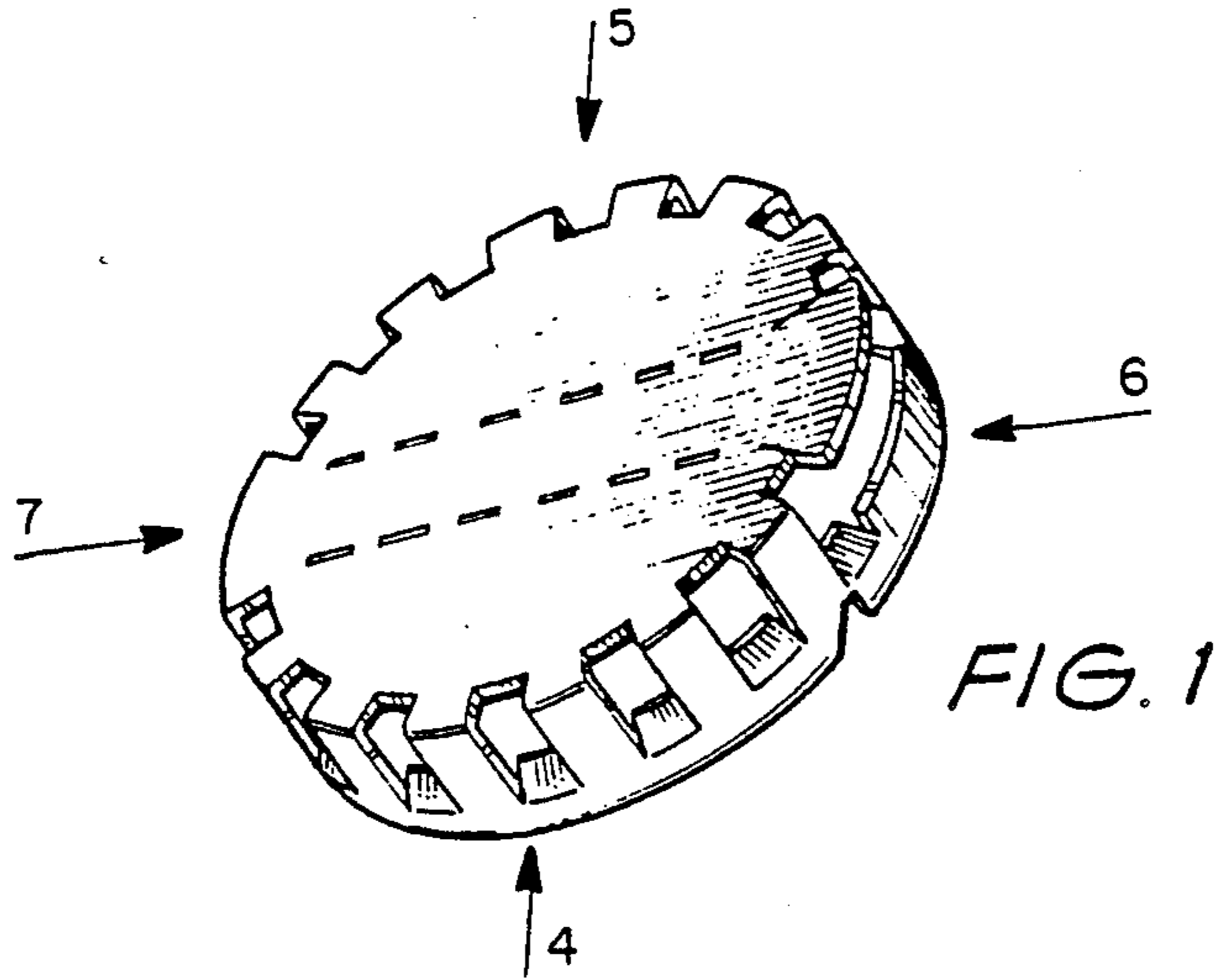


FIG. 2

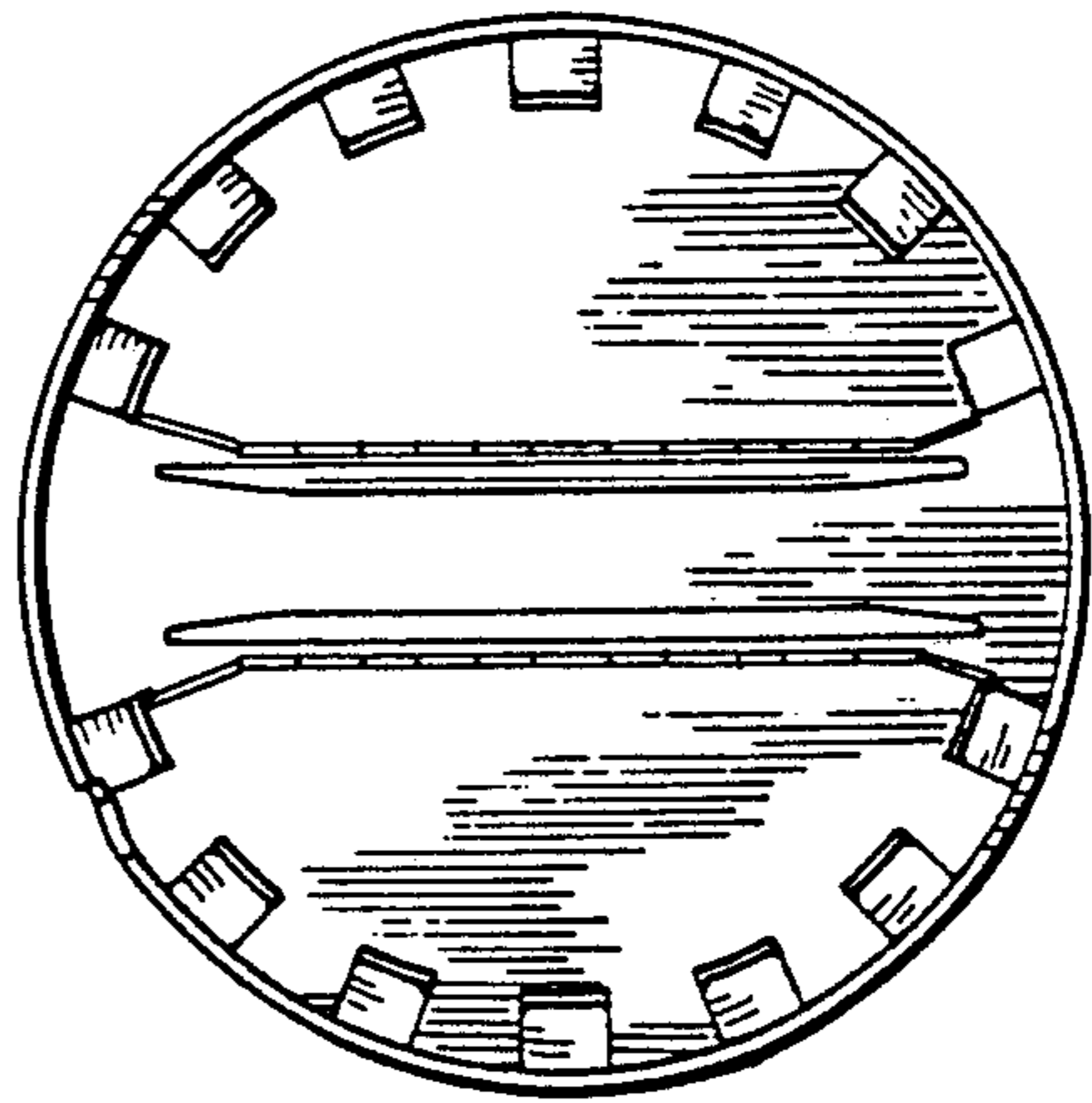


FIG. 3

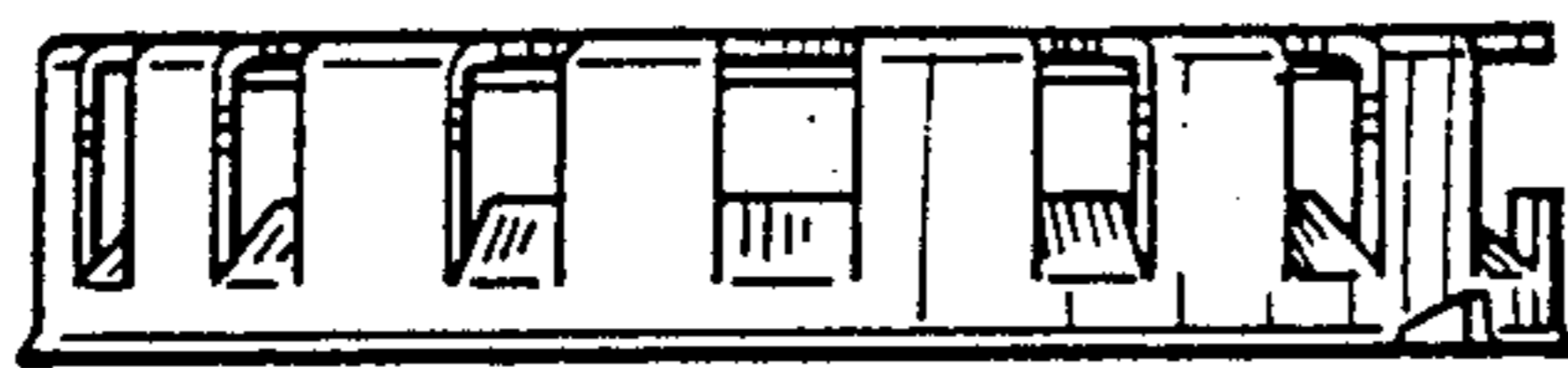


FIG. 4

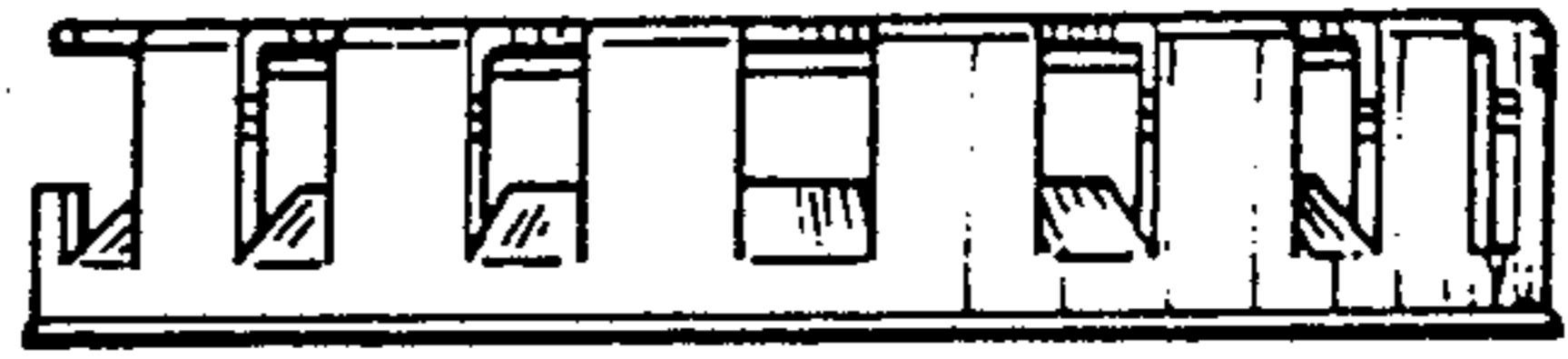


FIG. 5

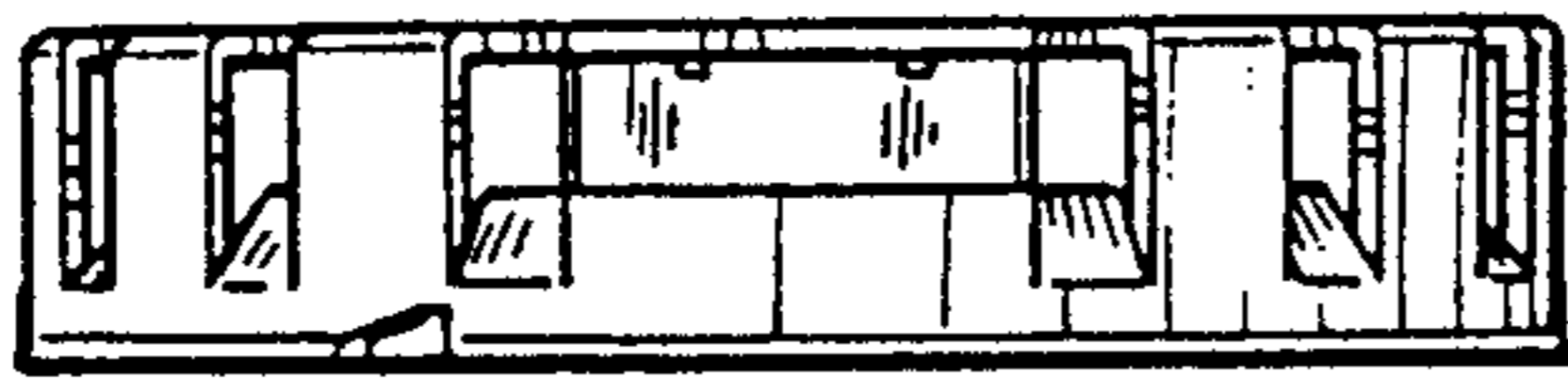


FIG. 6

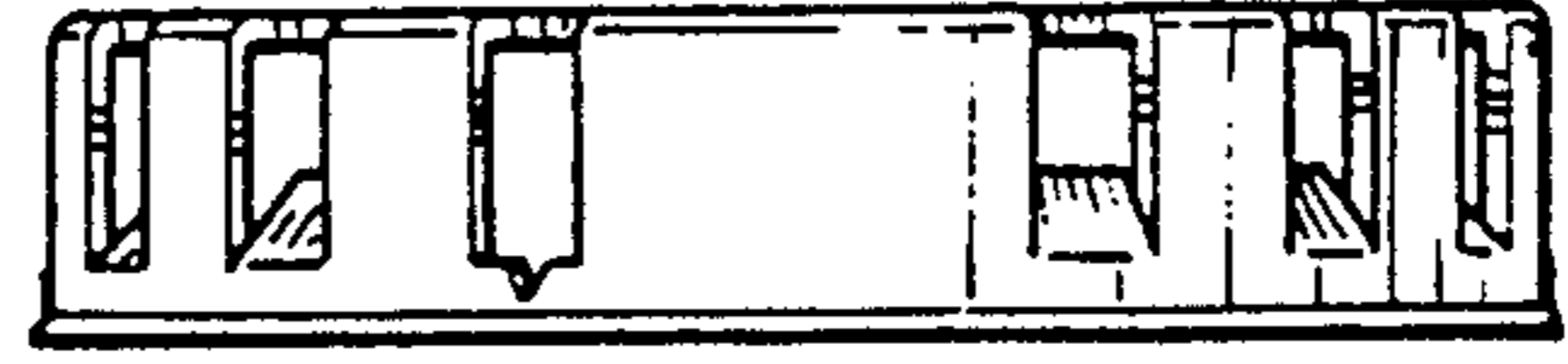


FIG. 7

UNITED STATES PATENT AND TRADEMARK OFFICE  
**CERTIFICATE OF CORRECTION**

PATENT NO. : Des. 311,868  
DATED : November 6, 1990  
INVENTOR(S) : Kenneth J. Armstrong

It is certified that error appears in the above-identified patent and that said Letters Patent is hereby corrected as shown below:

On the title page of the Patent, in the Description of  
"FIG. 7" change second line to read --arrow 7 in FIG. 1--.

**Signed and Sealed this  
Seventh Day of April, 1992**

*Attest:*

*Attesting Officer*

HARRY F. MANBECK, JR.

*Commissioner of Patents and Trademarks*