

[54] BOTTLE

[75] Inventor: James H. Karlin, Fairport, N.Y.

[73] Assignee: Casual Directions, Inc., Fairport, N.Y.

[\*\*] Term: 14 Years

[21] Appl. No.: 167,323

[22] Filed: Mar. 11, 1988

[52] U.S. Cl. .... D9/389; D9/375; D9/402; D9/407

[58] Field of Search ..... D9/407, 403-413, D9/402, 384, 386, 375, 389; 215/1 R, 1 C; D10/109, 113

[56] References Cited

U.S. PATENT DOCUMENTS

- D. 47,182 4/1915 Danziger ..... D9/300
- D. 90,760 9/1933 Gluckman ..... D9/371
- D. 211,153 5/1968 Pizzurro ..... D9/409 X
- D. 256,218 8/1980 Fritz ..... D9/375
- D. 261,865 11/1981 Davis et al. .... D9/389

FOREIGN PATENT DOCUMENTS

472031 9/1937 United Kingdom ..... 215/1 R

OTHER PUBLICATIONS

Beauty Fashion, Dec., 1986, 70th Anniversary Issue, p. 77, Liz Claiborne Fragrance Bottle.

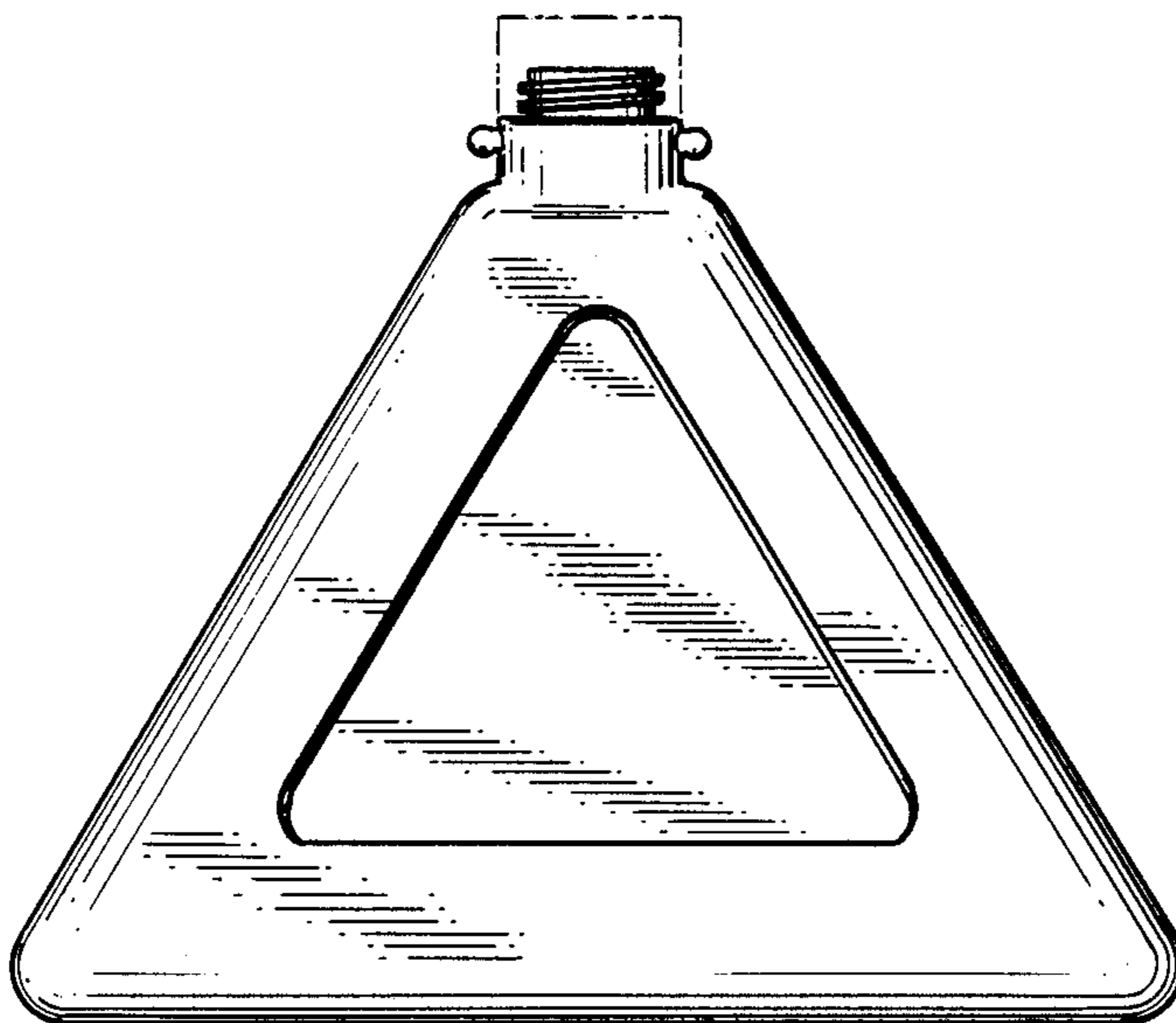
Primary Examiner—Melvin B. Feifer  
Assistant Examiner—Lucy Lieberman  
Attorney, Agent, or Firm—Shlesinger, Fitzsimmons & Shlesinger

[57] CLAIM

The ornamental design for a bottle, as shown and described.

DESCRIPTION

FIG. 1 is a top plan view of a bottle showing my new design;  
FIG. 2 is a right side elevational view thereof, the left side elevational view being a mirror image thereto;  
FIG. 3 is a rear elevational view thereof;  
FIG. 4 is a front elevational view thereof; and  
FIG. 5 is a bottom plan view thereof.  
The bottle top shown by broken lines in FIGS. 2, 3 and 4 is for illustrative purposes only and forms no part of the claimed design.



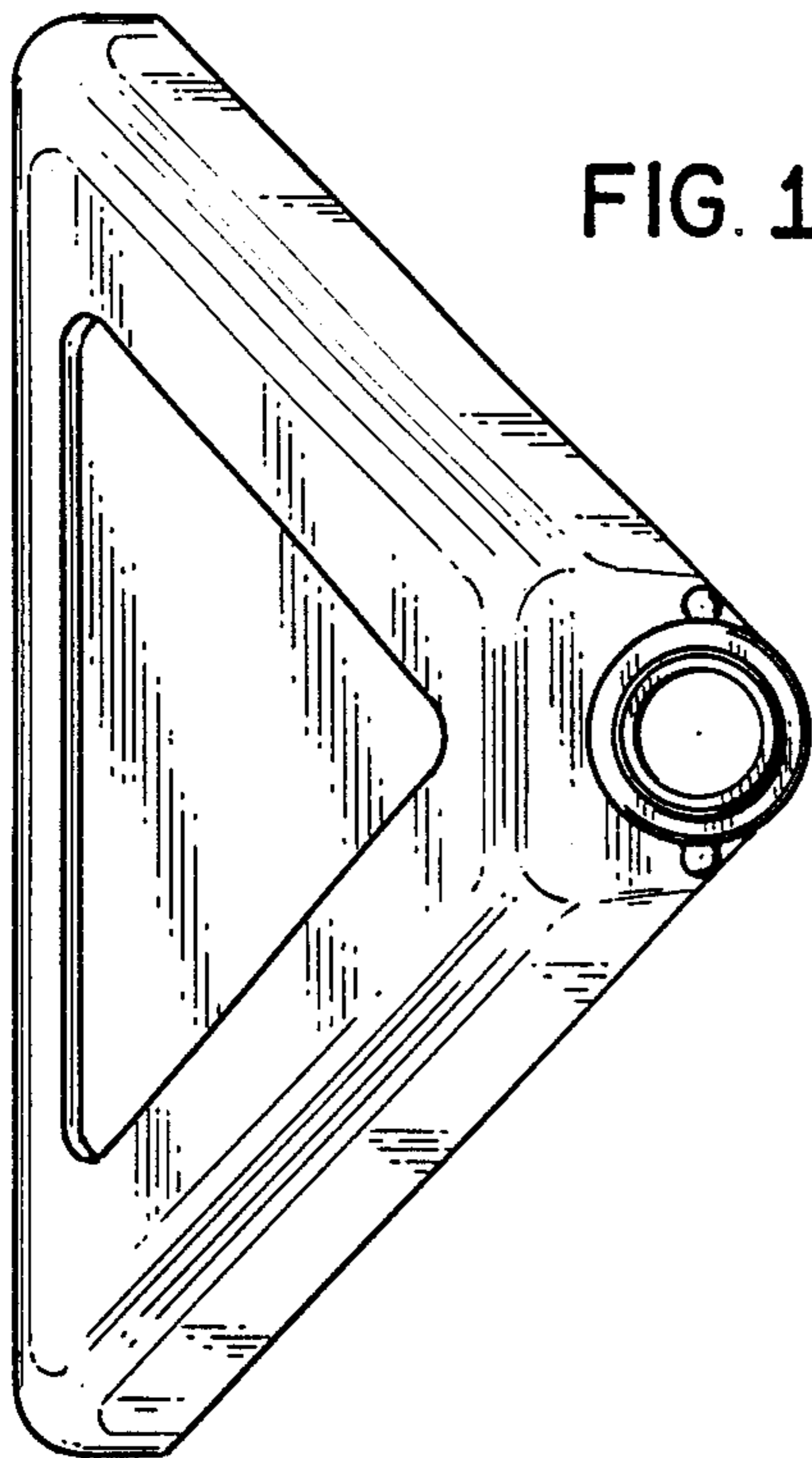


FIG. 1

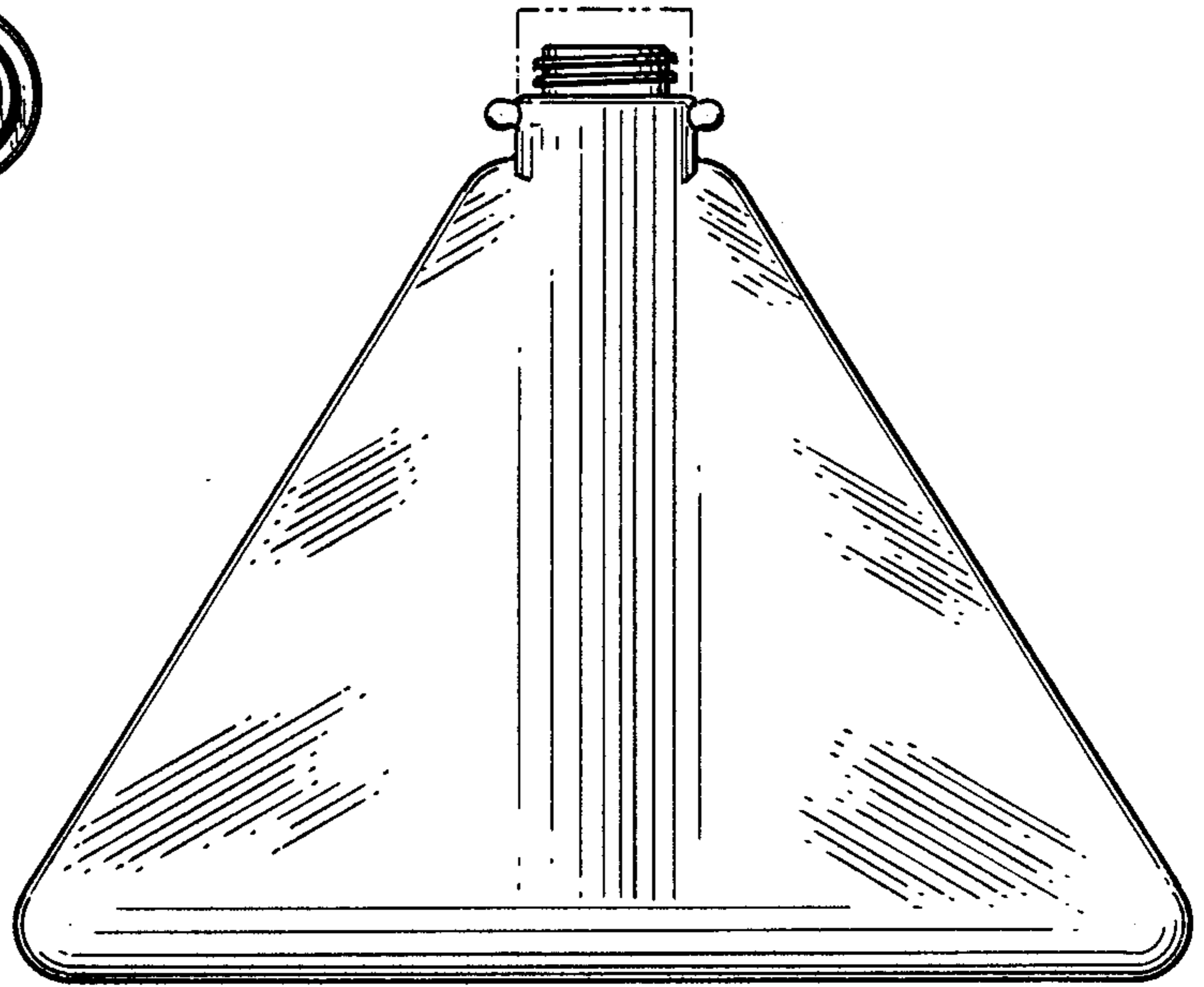


FIG. 3

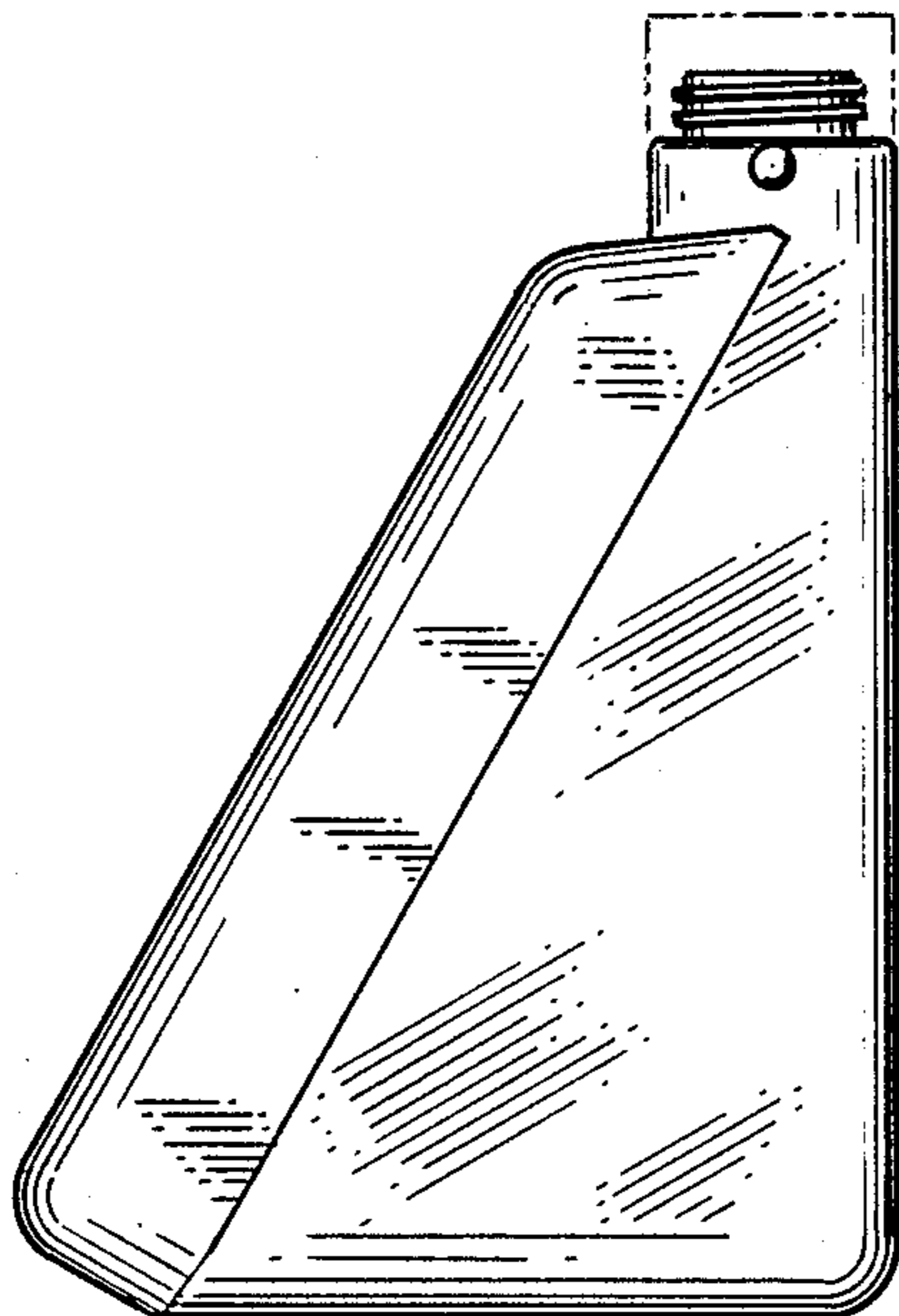


FIG. 2

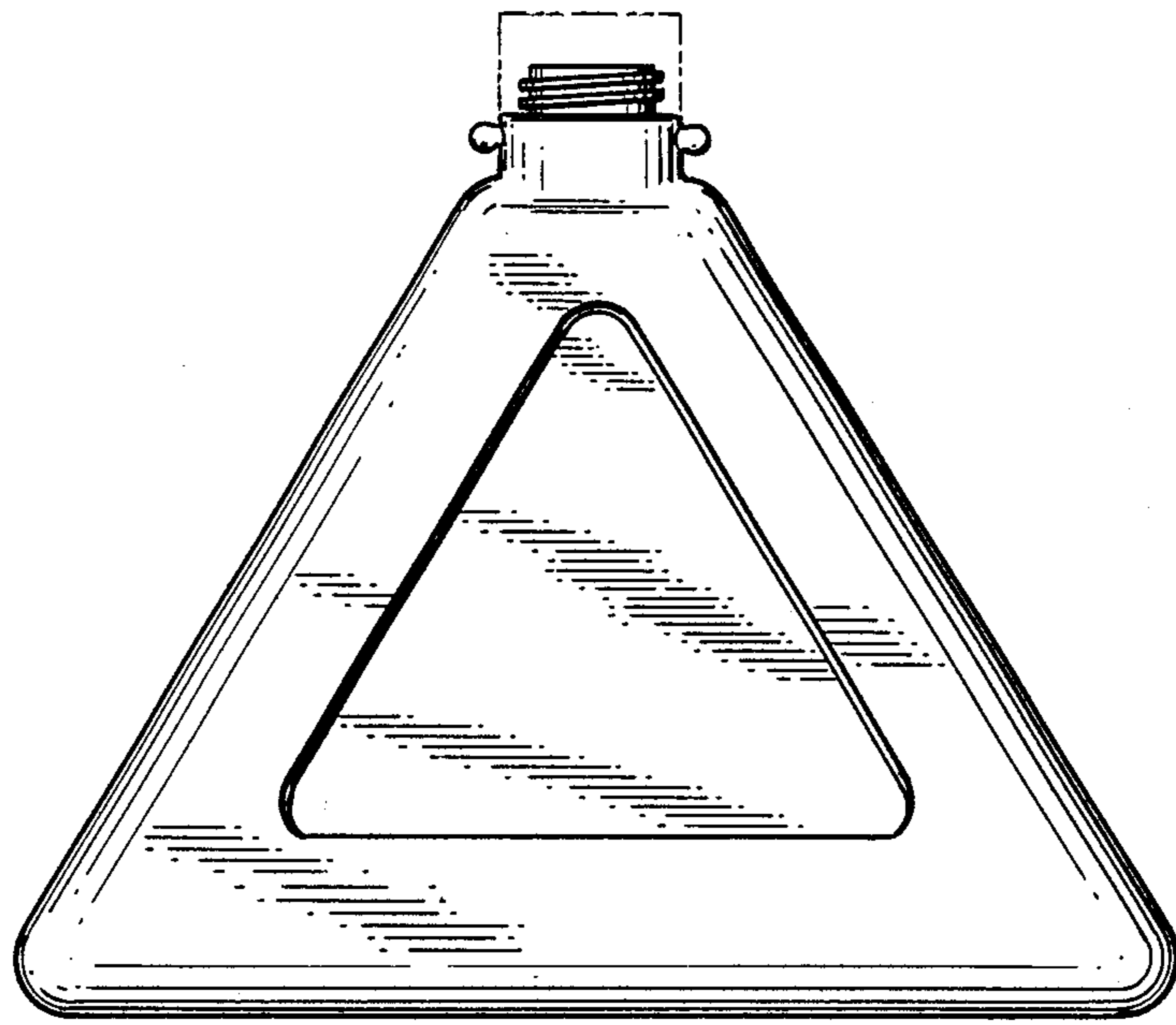


FIG. 4

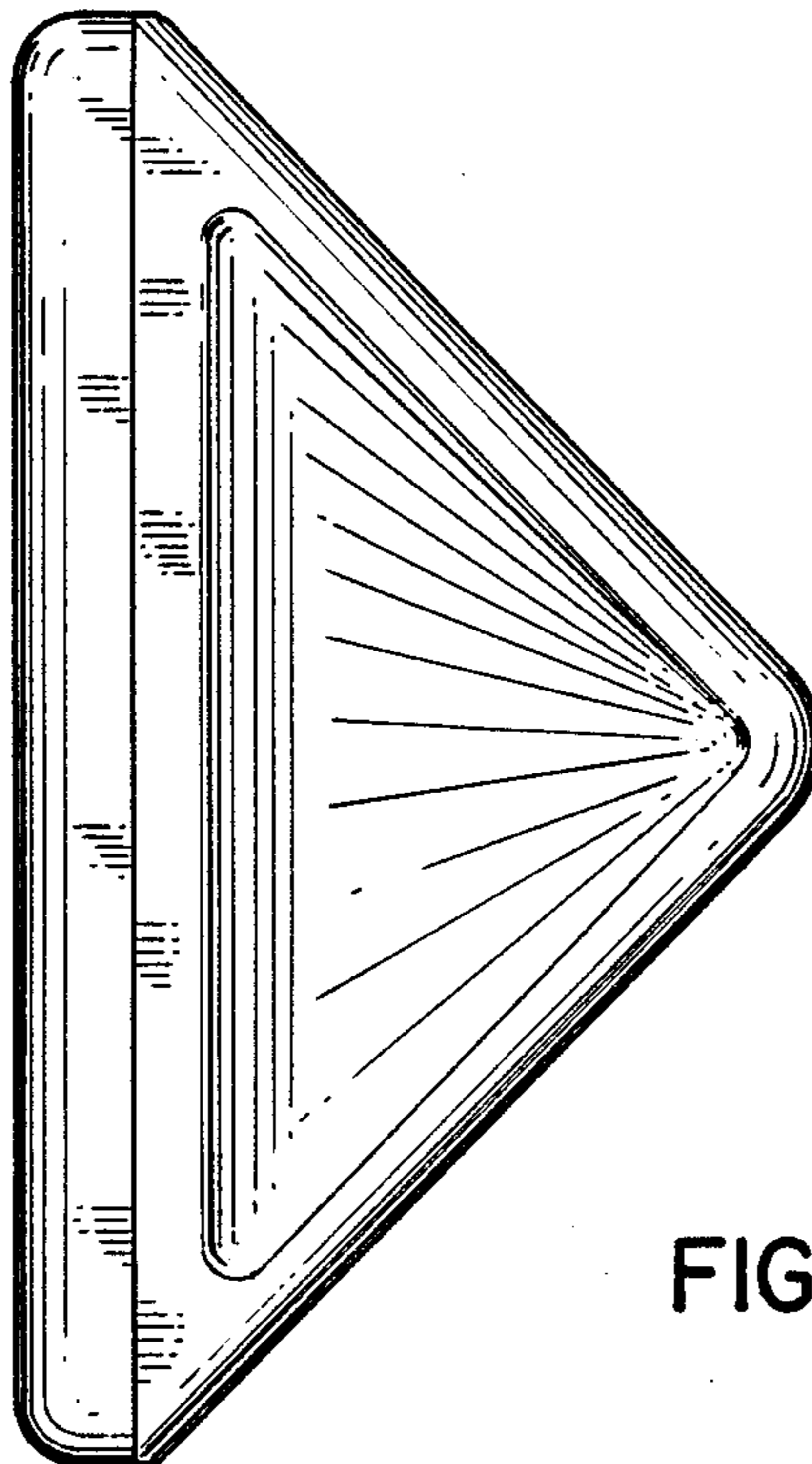


FIG. 5