

[54] **WATER COOLER RESERVOIR**

[75] **Inventor: Michael D. Cullis, Middletown, N.J.**

[73] **Assignee: The Perrier Group of America, Inc.,  
Greenwich, Conn.**

[\*\*] **Term: 14 Years**

[21] **Appl. No.: 122,414**

[22] **Filed: Nov. 18, 1987**

[52] **U.S. Cl. .... D9/370; D9/378;  
D9/401; D7/401**

[58] **Field of Search ..... D9/378, 401, 370, 371,  
D9/367, 382, 403-413; D7/306, 401; 215/1 R,  
1 C, 100 A; 220/94 A; 222/465.1, 466, 185,  
146.6**

[56] **References Cited**

**U.S. PATENT DOCUMENTS**

D. 196,388 9/1963 Stockli ..... D9/372  
D. 241,516 9/1976 Harris ..... D9/378  
D. 287,934 1/1987 Harris ..... D9/401 X  
D. 303,496 9/1989 Larson ..... D9/378 X

**FOREIGN PATENT DOCUMENTS**

866025 2/1953 Fed. Rep. of Germany ..... 215/1 C  
1465560 12/1966 France ..... 222/466

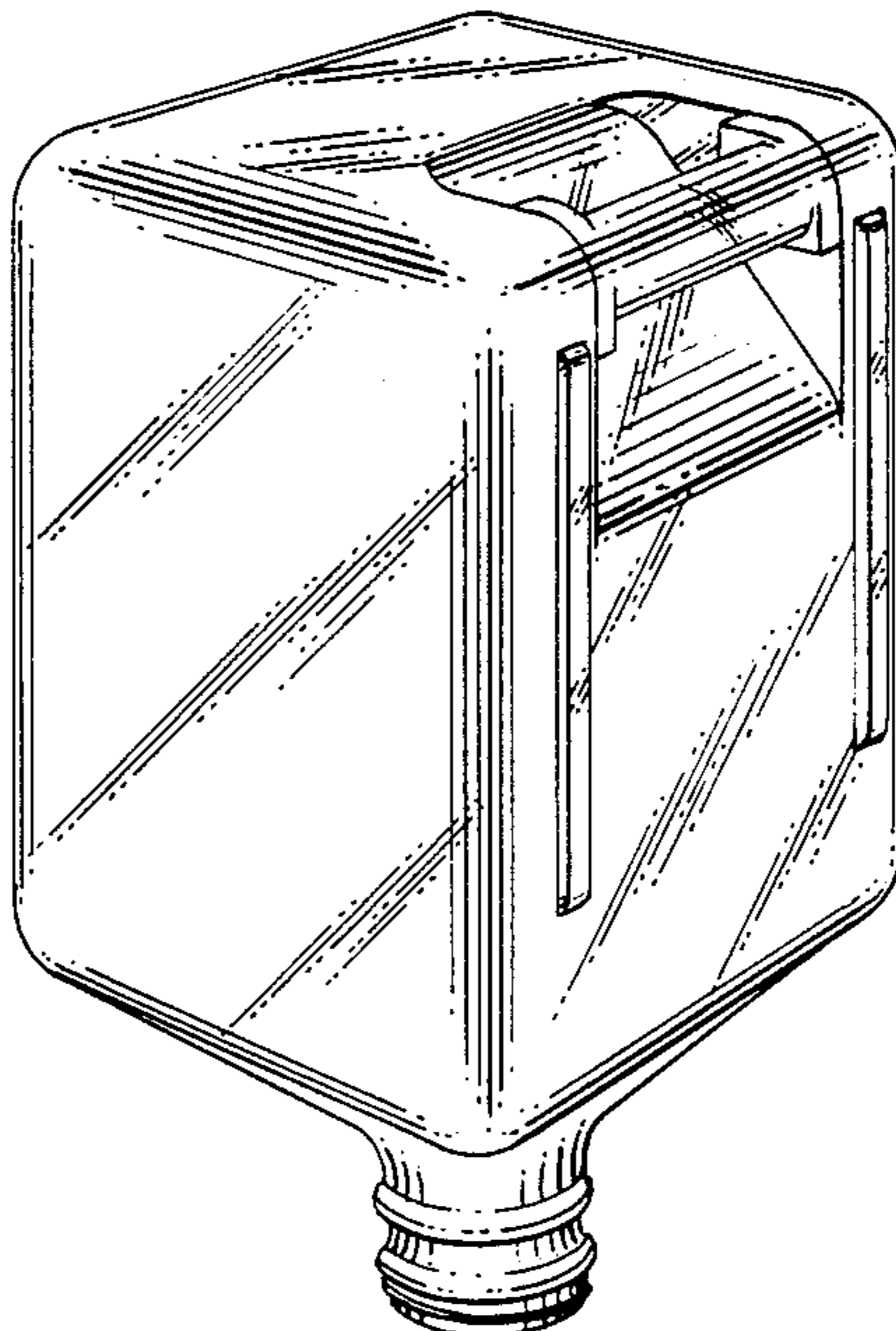
*Primary Examiner*—Melvin B. Feifer  
*Assistant Examiner*—Lucy Lieberman  
*Attorney, Agent, or Firm*—Kuhn and Muller

[57] **CLAIM**

The ornamental design for a water cooler reservoir, as shown and described.

**DESCRIPTION**

FIG. 1 is a rear perspective view of a water cooler reservoir showing my new design;  
FIG. 2 is a rear elevational view thereof;  
FIG. 3 is a front elevational view thereof;  
FIG. 4 is a side elevational view thereof, the opposite side being a mirror-image of FIG.4;  
FIG. 5 is a top plan view thereof; and  
FIG. 6 is a bottom plan view thereof; and  
FIG. 7 is a cross-sectional view thereof, taken along line 7-7 of FIG. 2.



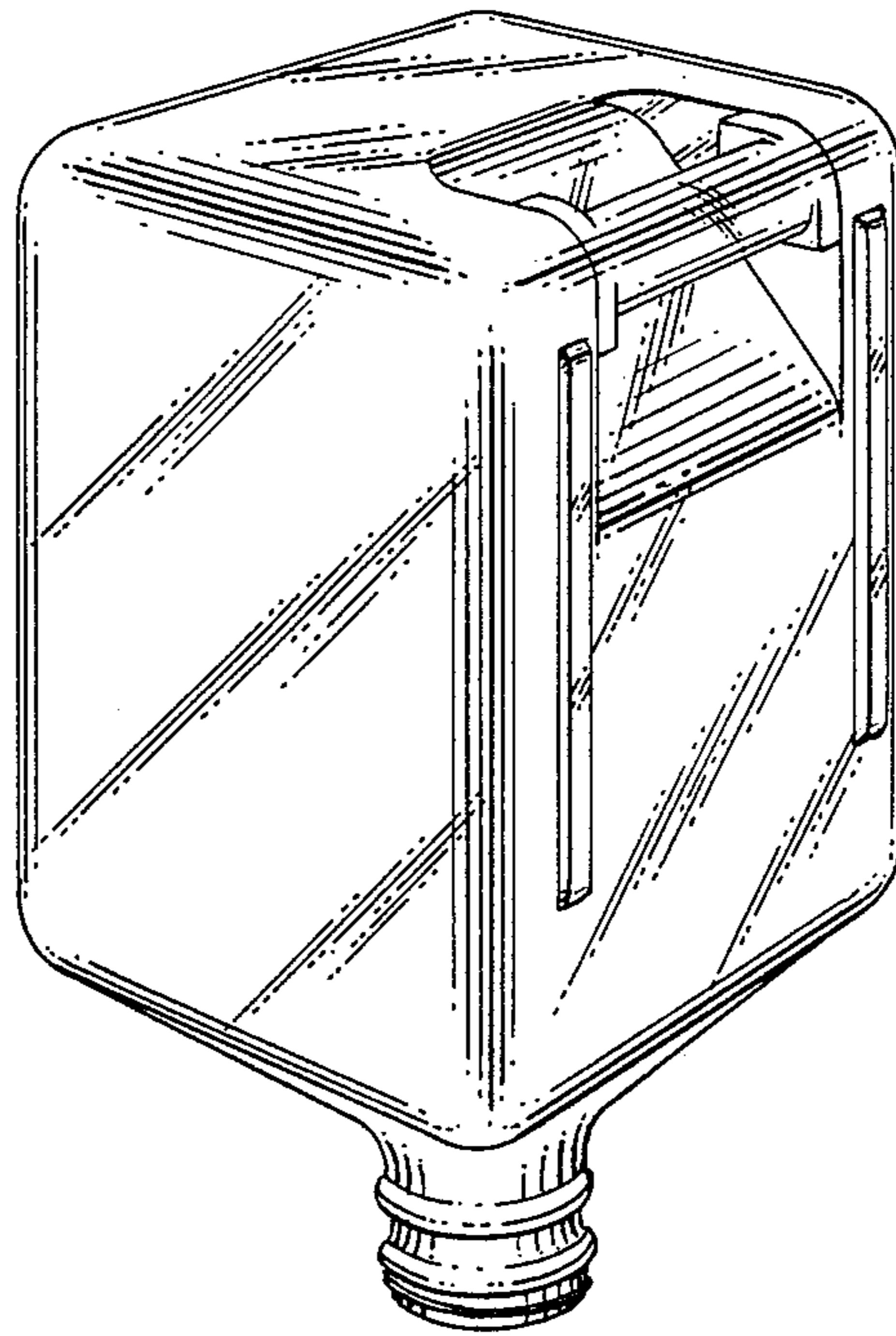


FIG. 1

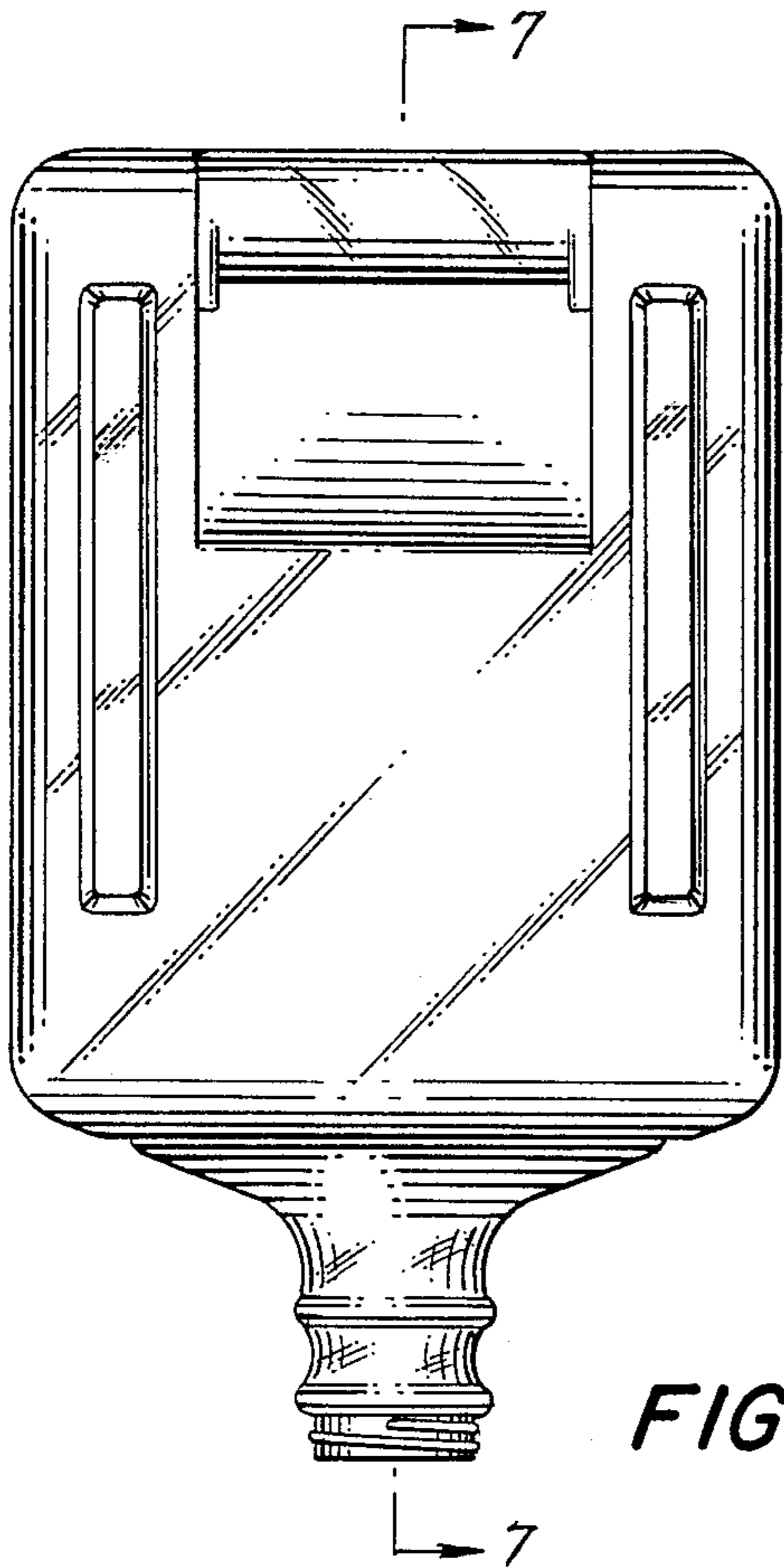


FIG. 2

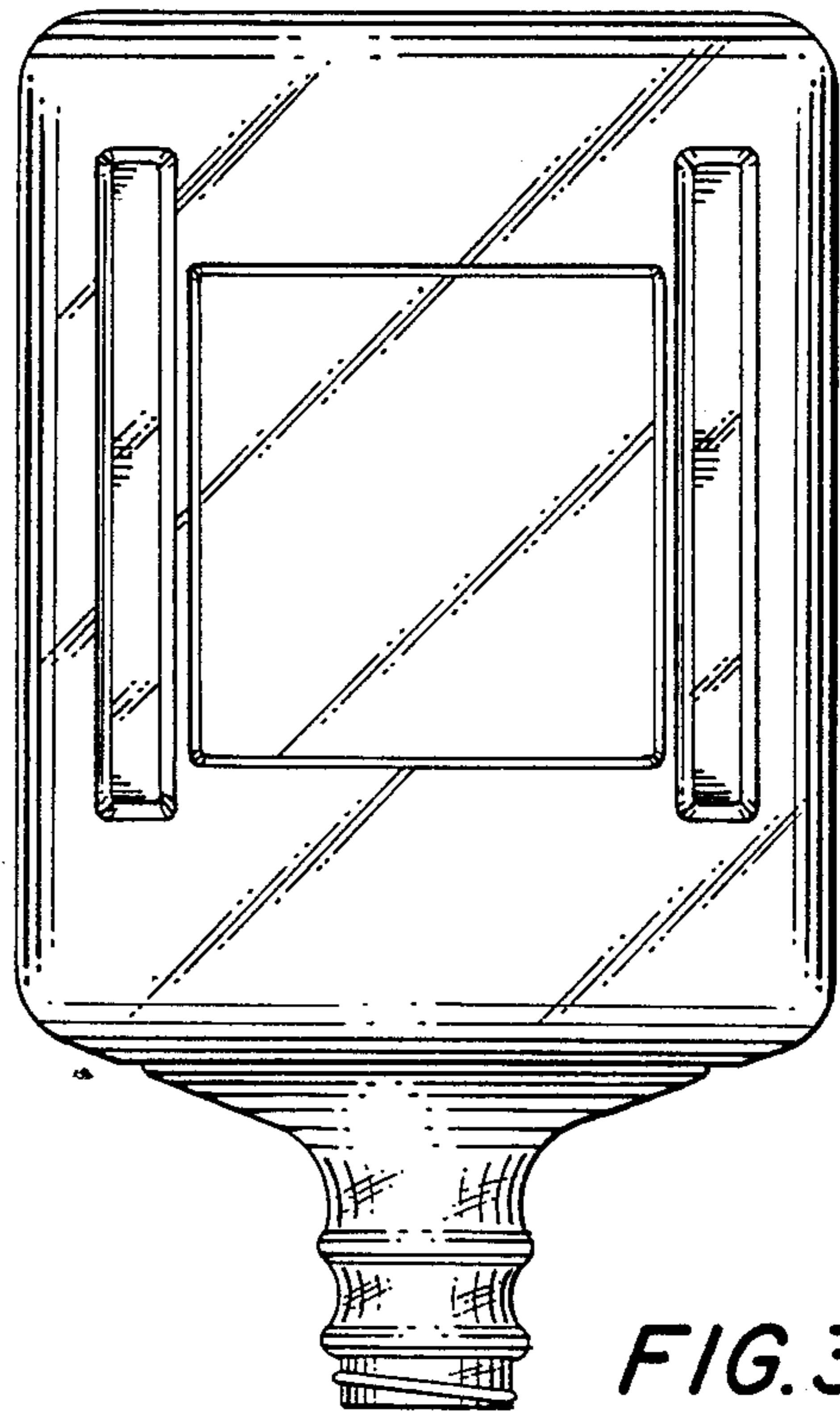


FIG. 3

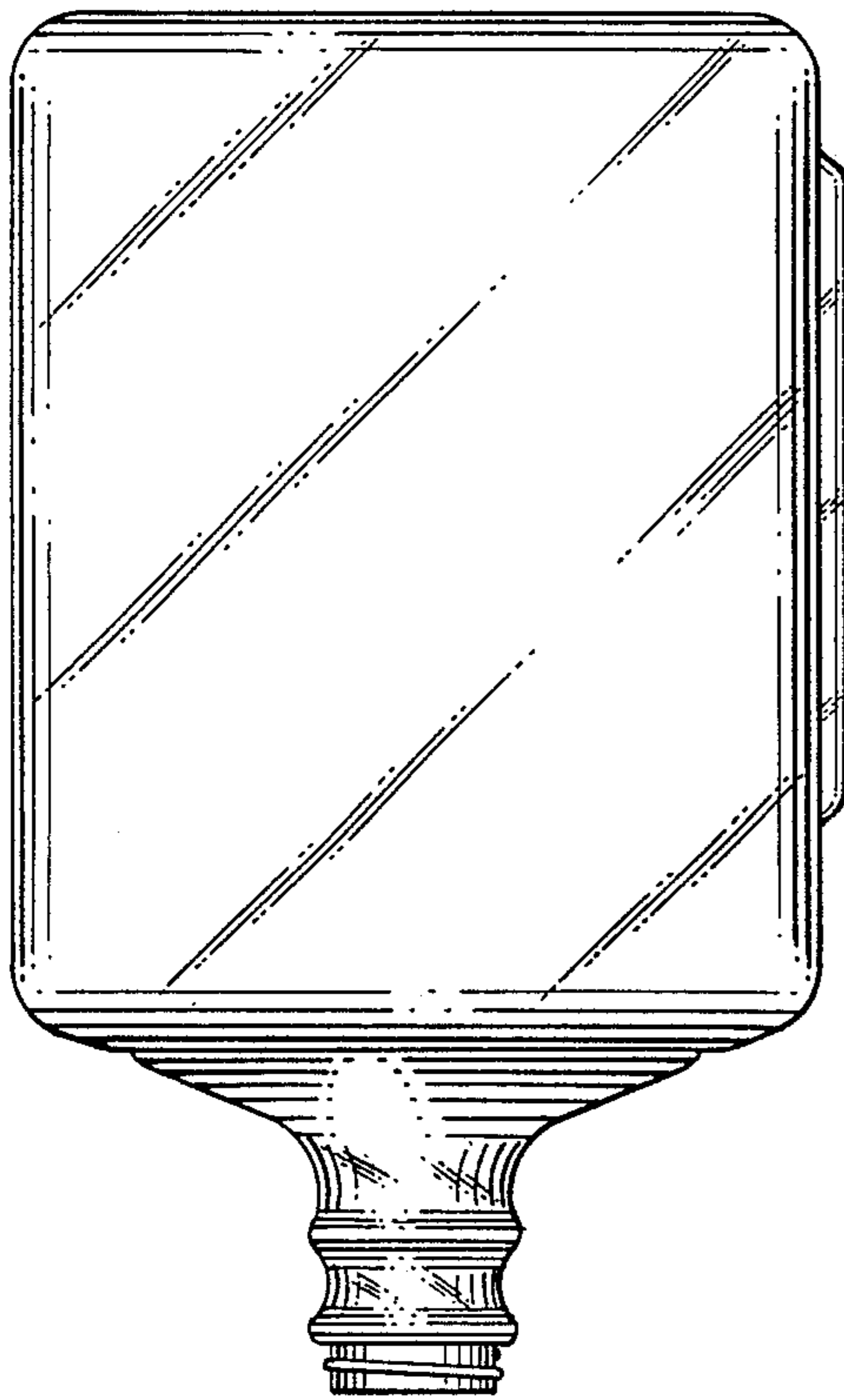


FIG. 4

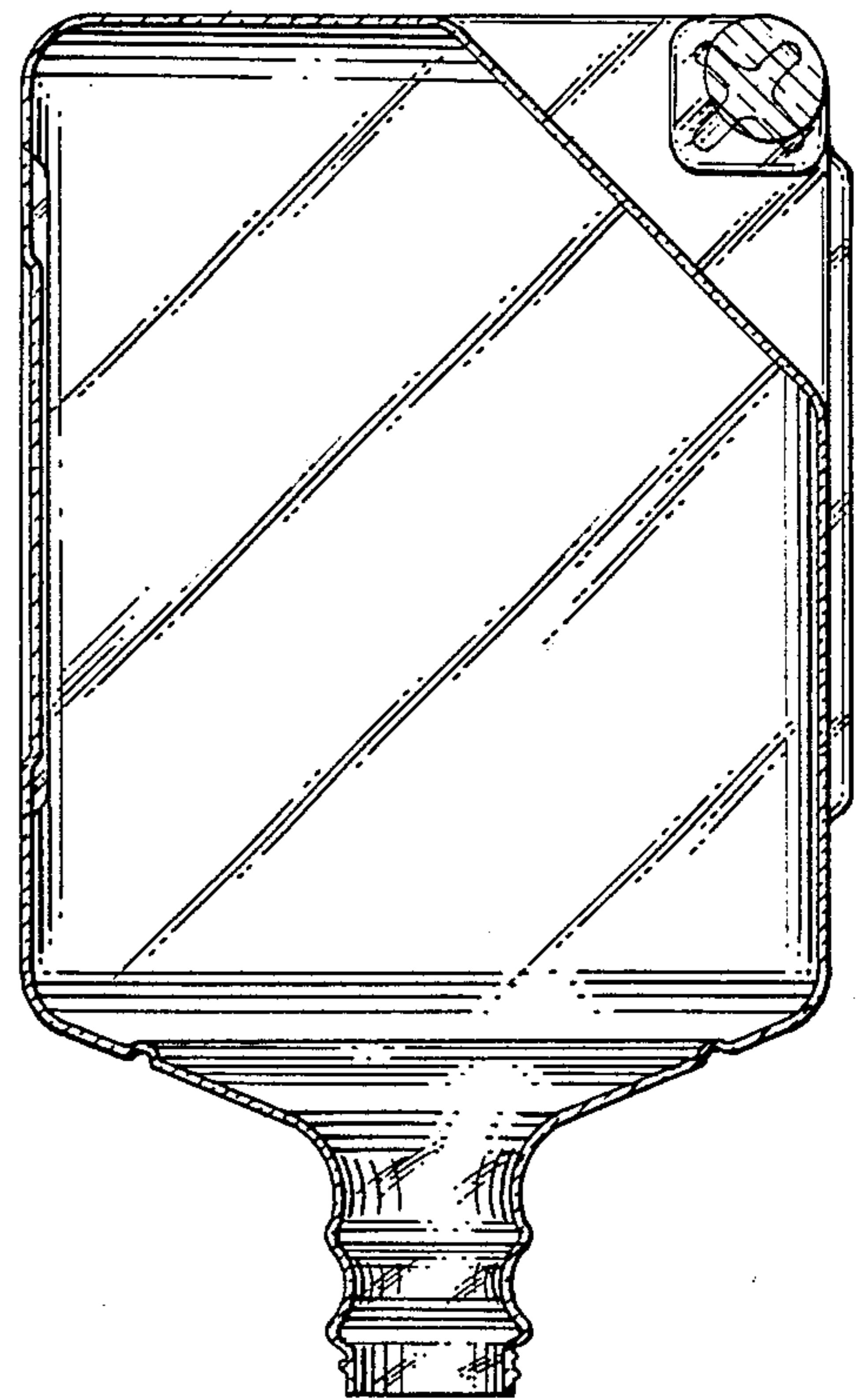


FIG. 7

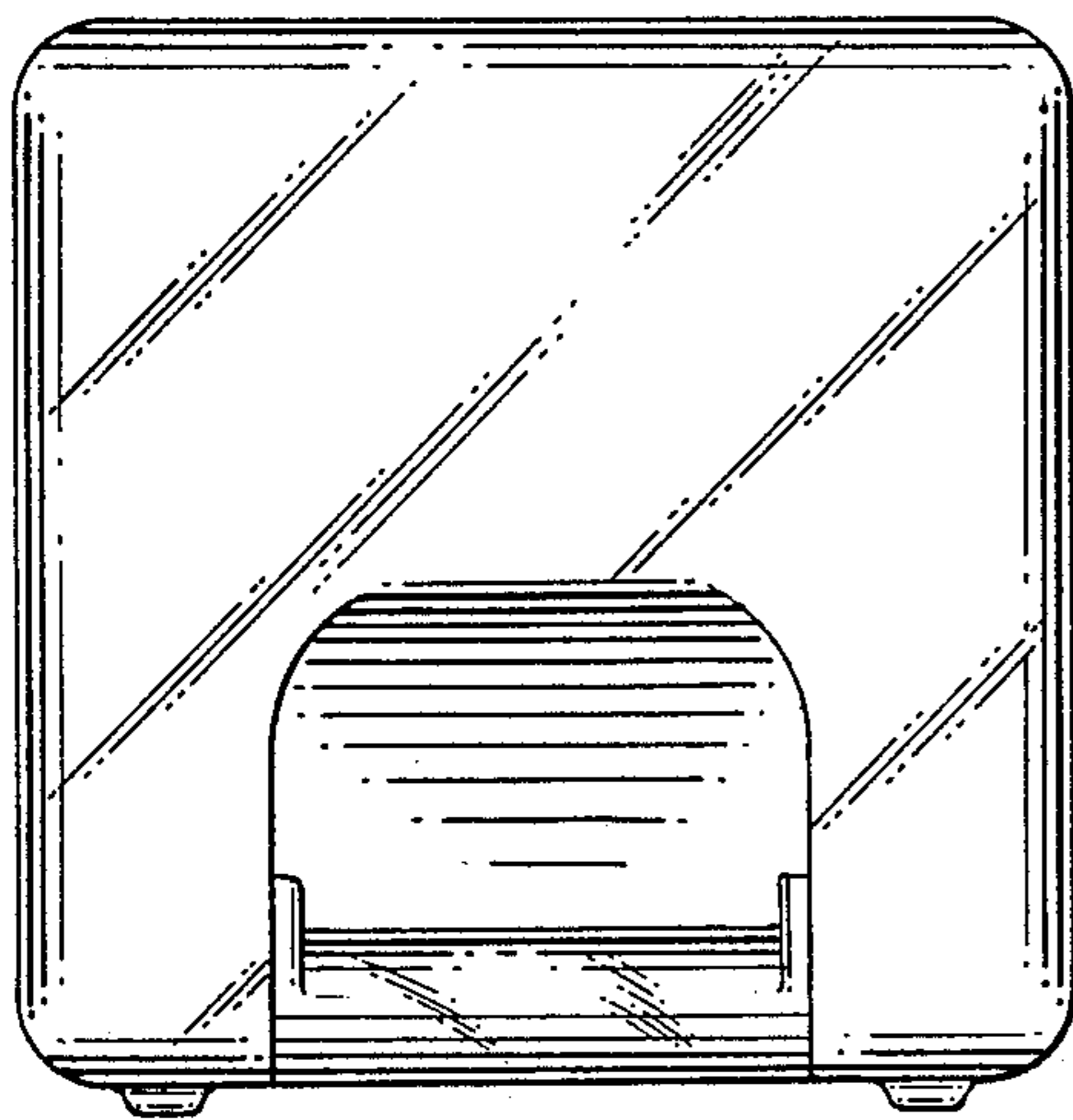


FIG. 5

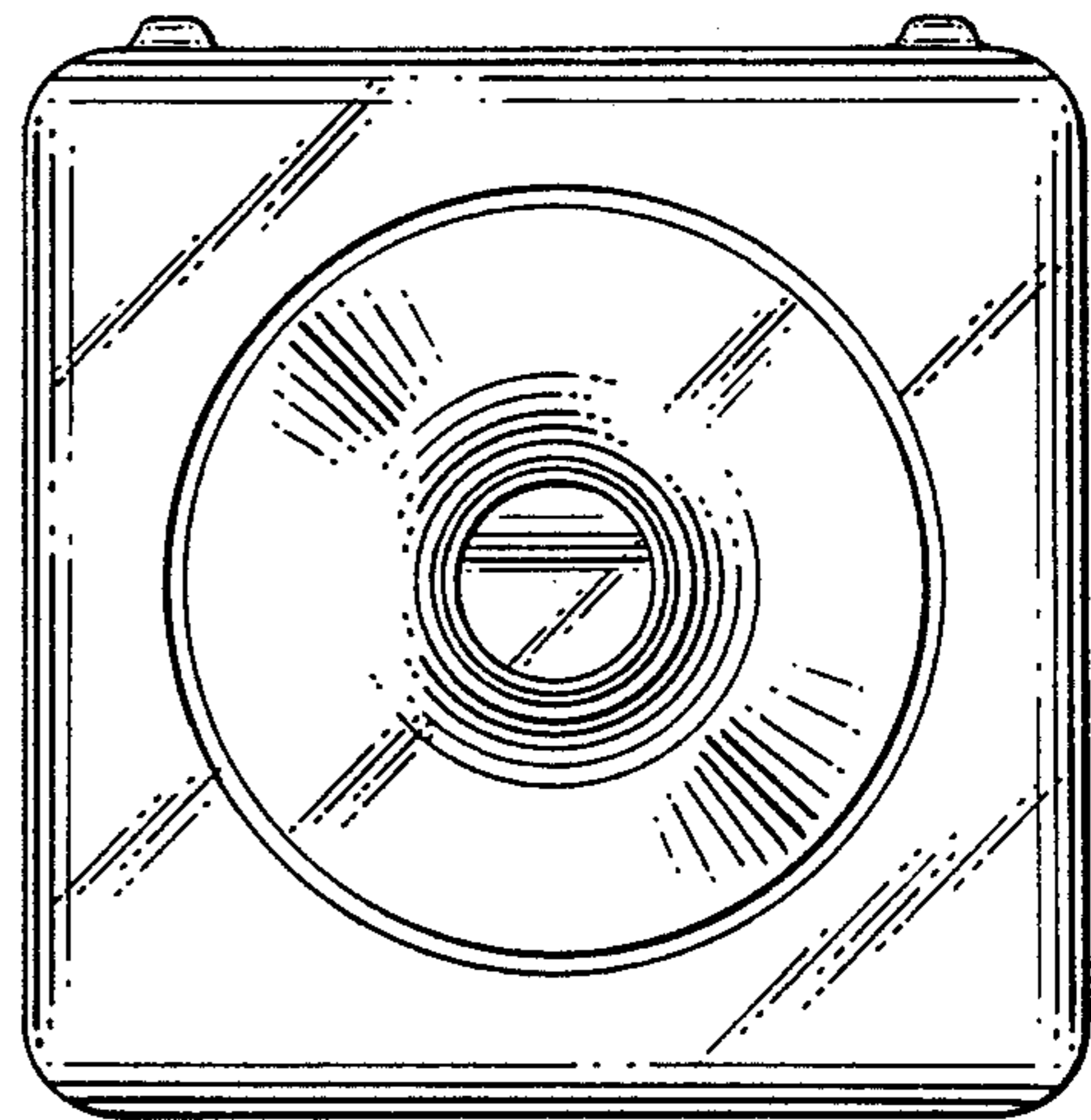


FIG. 6