

[54] SUPPORT BRACKET OR SIMILAR ARTICLE FOR USE WITH VENTILATED SHELVING

[75] Inventor: Lee Remmers, Ocala, Fla.

[73] Assignee: Clairson International, Ocala, Fla.

[\*\*] Term: 14 Years

[21] Appl. No.: 53,464

[22] Filed: May 26, 1987

[52] U.S. Cl. .... D8/381

[58] Field of Search ..... D8/380, 381, 349; 248/235, 250, 57, 71, 217.3

[56] References Cited

U.S. PATENT DOCUMENTS

D. 280,595	9/1985	Wilk .....	D8/349
494,622	4/1983	Bradley .	
1,288,199	12/1918	Rice .	
2,268,237	12/1941	Beegle .	
2,560,880	7/1951	Lundqvist .	
3,669,395	6/1972	Gehrke .	
3,730,472	5/1973	Dale .....	248/57
4,316,593	2/1982	Miner et al. ....	248/250
4,361,099	11/1982	Kokenge et al. .	
4,374,498	2/1983	Yellin .....	248/250

Primary Examiner—Wallace R. Burke  
Assistant Examiner—Marcus Jackson  
Attorney, Agent, or Firm—Cushman, Darby & Cushman

[57] CLAIM

The ornamental design for a support bracket or similar article for use with ventilated shelving, as shown and described.

DESCRIPTION

FIG. 1 is a perspective view of a support bracket or similar article for use with ventilated shelving showing my new design;

FIG. 2 is a perspective view showing an alternate position of the support bracket or similar article for use with ventilated shelving of FIG. 1;

FIG. 3 is an enlarged side elevational view, with the opposite side being a mirror image and with the center broken away for ease of illustration;

FIG. 4 is a top plan view of FIG. 3;

FIG. 5 is a rear elevational view of FIG. 3; and

FIG. 6 is a bottom plan view of FIG. 3.

The broken line showing of the shelf in FIGS. 1 and 2 of the drawing is for illustrative purposes only and forms no part of the claimed design.

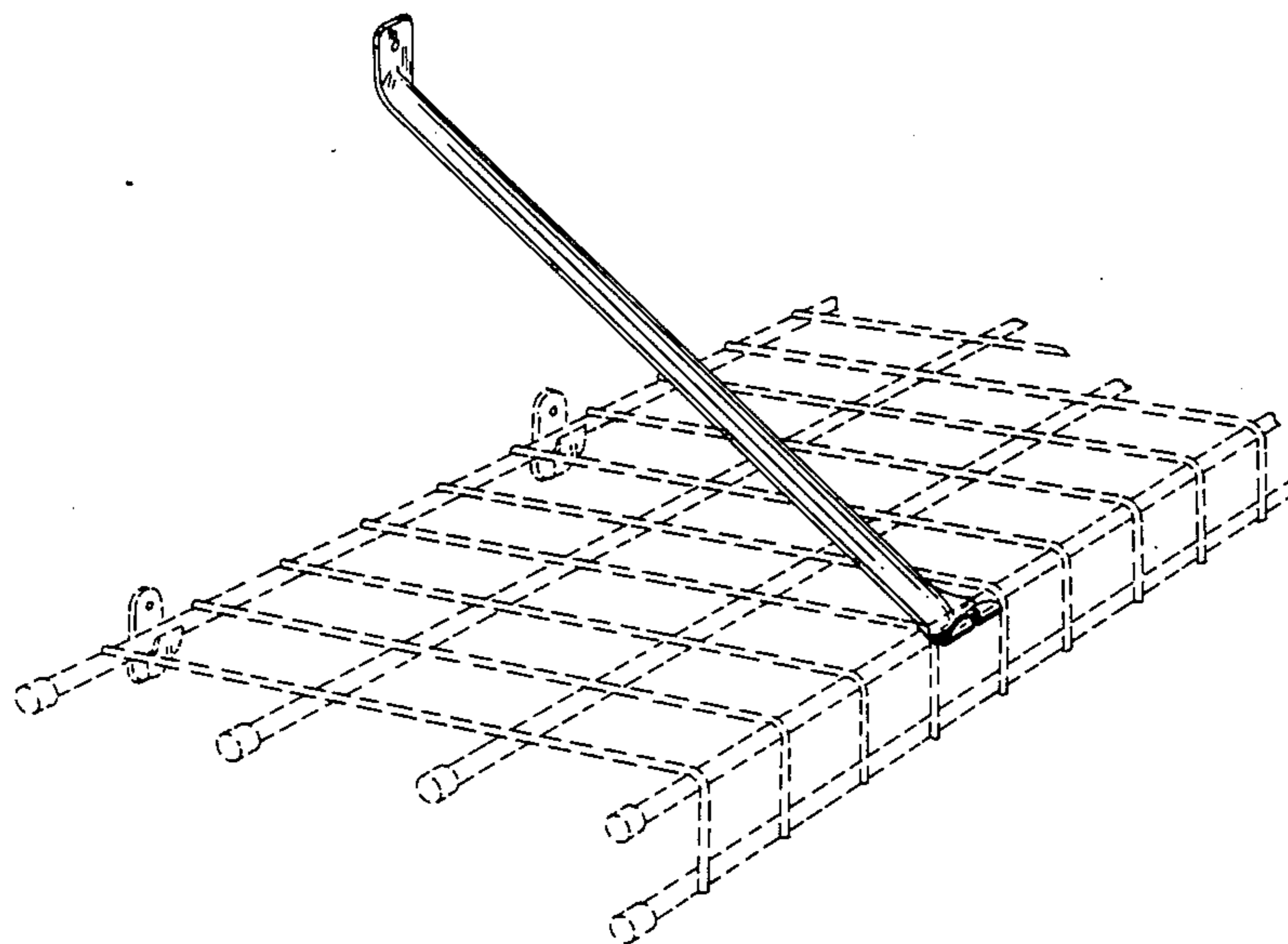


FIG. 1

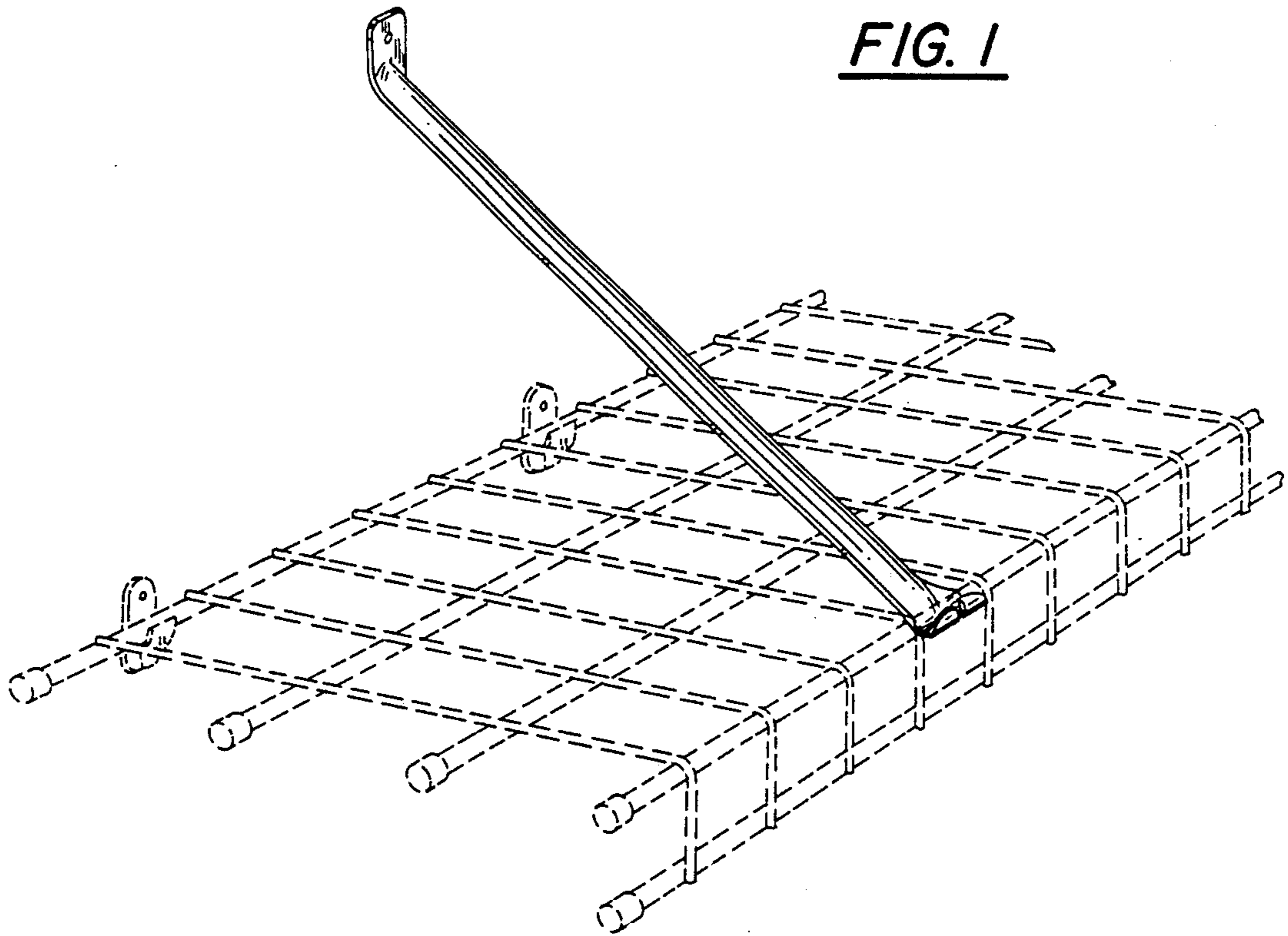
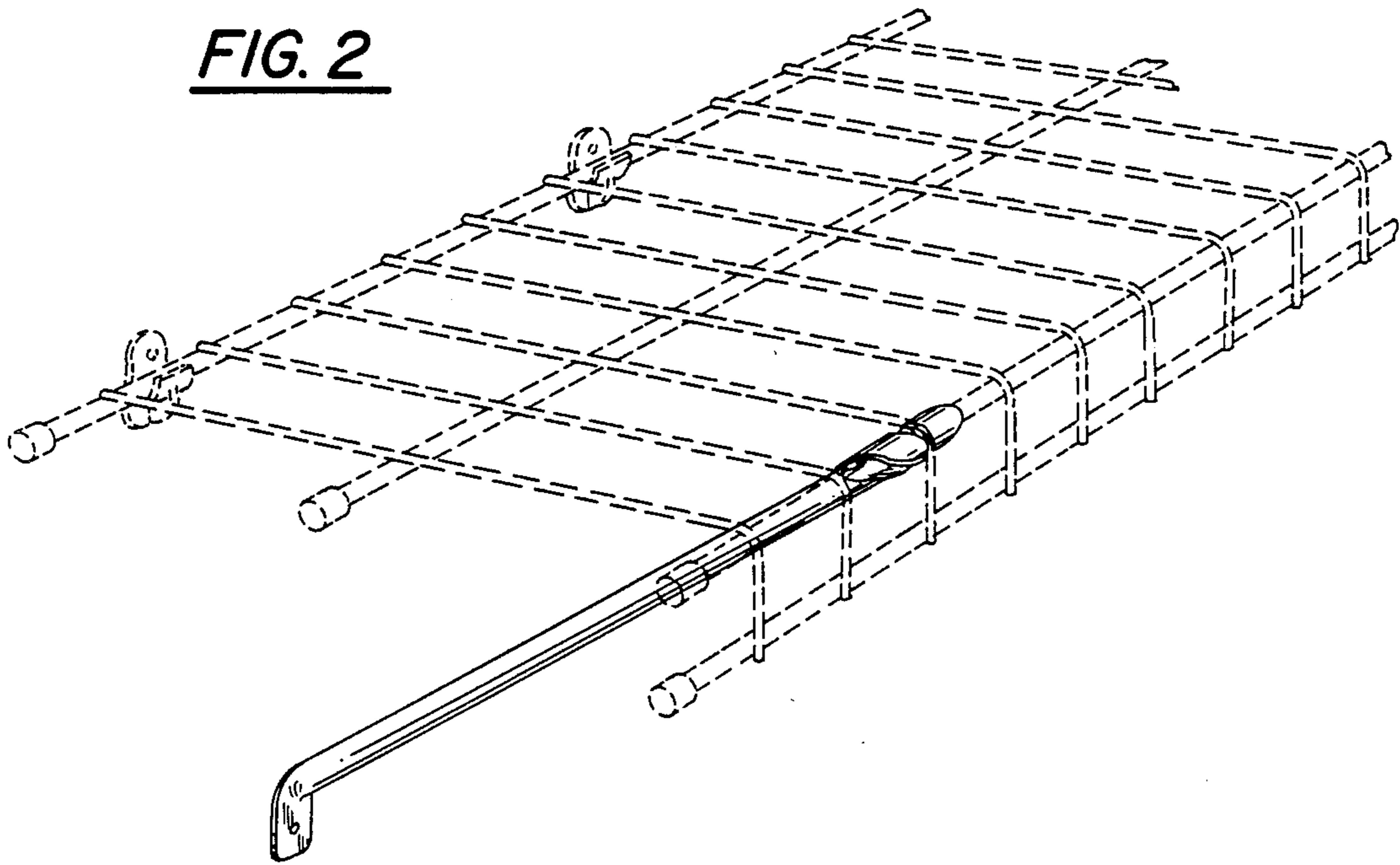


FIG. 2



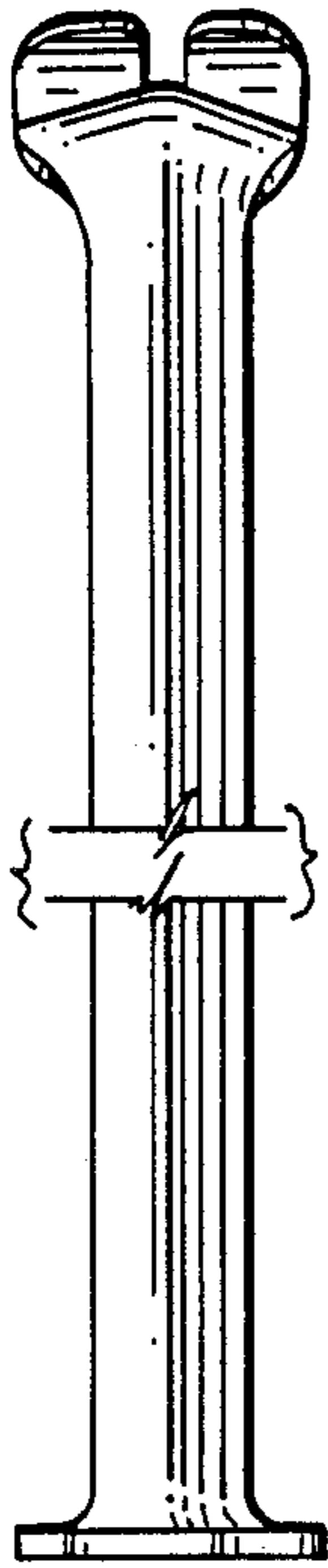


FIG. 6

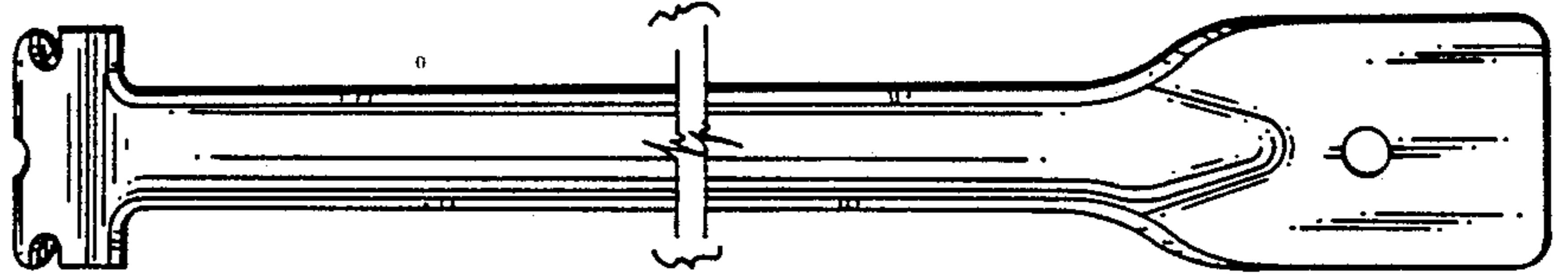


FIG. 5

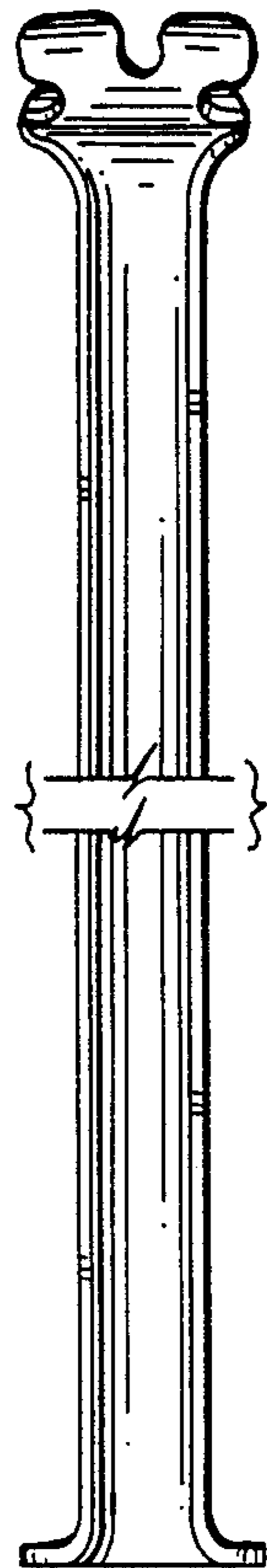


FIG. 4

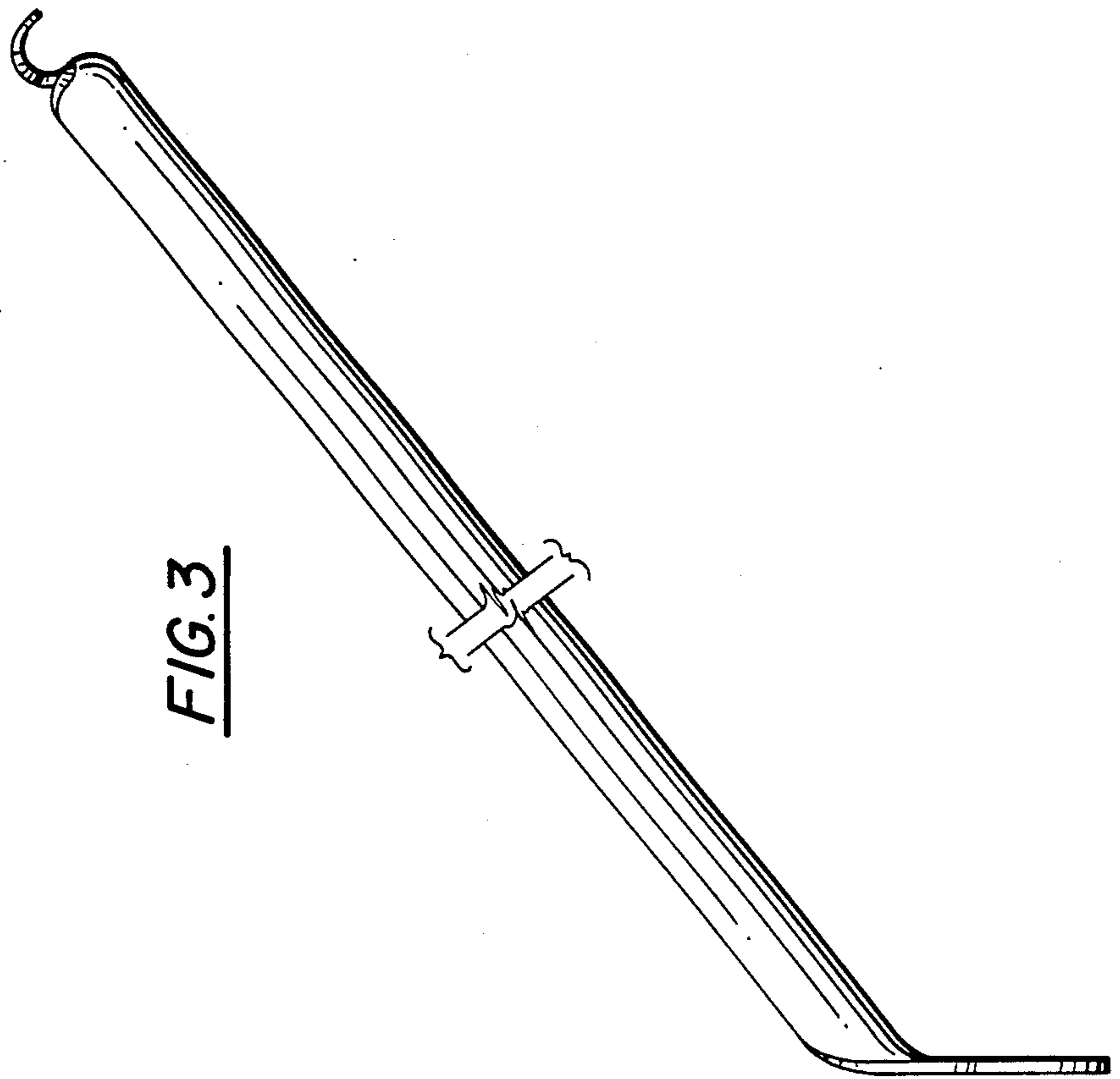


FIG. 3