

[54] **AUTOMOTIVE MOUNTING BRACKET**

[76] **Inventor: Paul R. Bohringer, 115 Cercado, Litchfield Park, Ariz. 85340**

[\*\*] **Term: 14 Years**

[21] **Appl. No.: 203,142**

[22] **Filed: Jun. 7, 1988**

[52] **U.S. Cl. .... D8/380**

[58] **Field of Search ..... D8/373, 380, 381, 371;  
248/300, 505, 316.8, 637, 674**

[56] **References Cited**

**U.S. PATENT DOCUMENTS**

D. 250,805 1/1979 Mygind et al. .... D8/380  
D. 276,410 11/1984 Taylor ..... D8/380

4,645,172 2/1987 Wilson ..... 248/674

*Primary Examiner*—Wallace R. Burke  
*Assistant Examiner*—Marcus Jackson  
*Attorney, Agent, or Firm*—Don J. Flickinger; Jordan M. Meschkow

[57] **CLAIM**

The ornamental design for a automotive mounting bracket, as shown and described.

**DESCRIPTION**

FIG. 1 is a perspective view of an automotive mounting bracket showing my new design;  
FIG. 2 is a right side elevational view thereof;  
FIG. 3 is a reduced rear elevational view thereof;  
FIG. 4 is a bottom plan view thereof;  
FIG. 5 is a top plan view thereof.

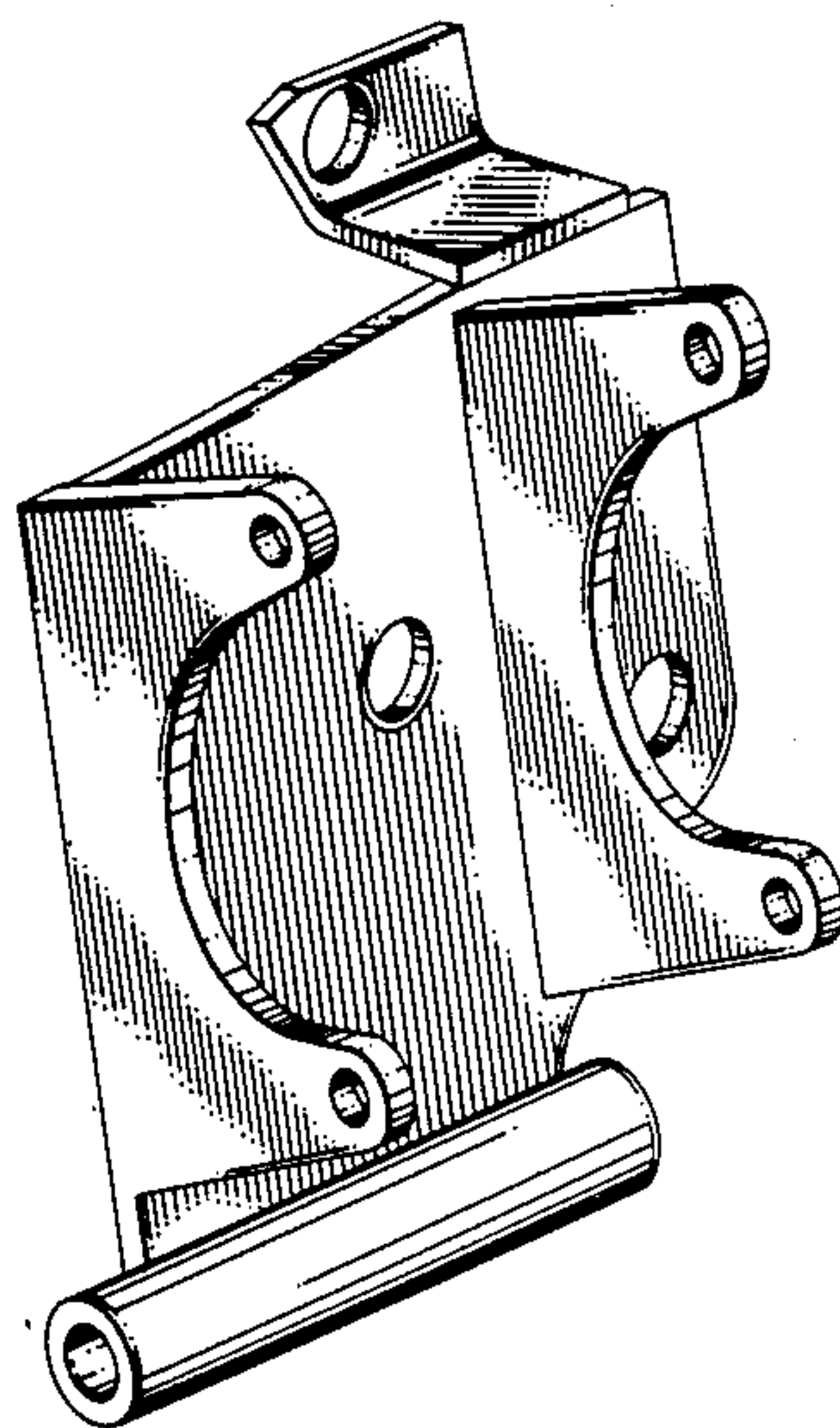


FIG. 1

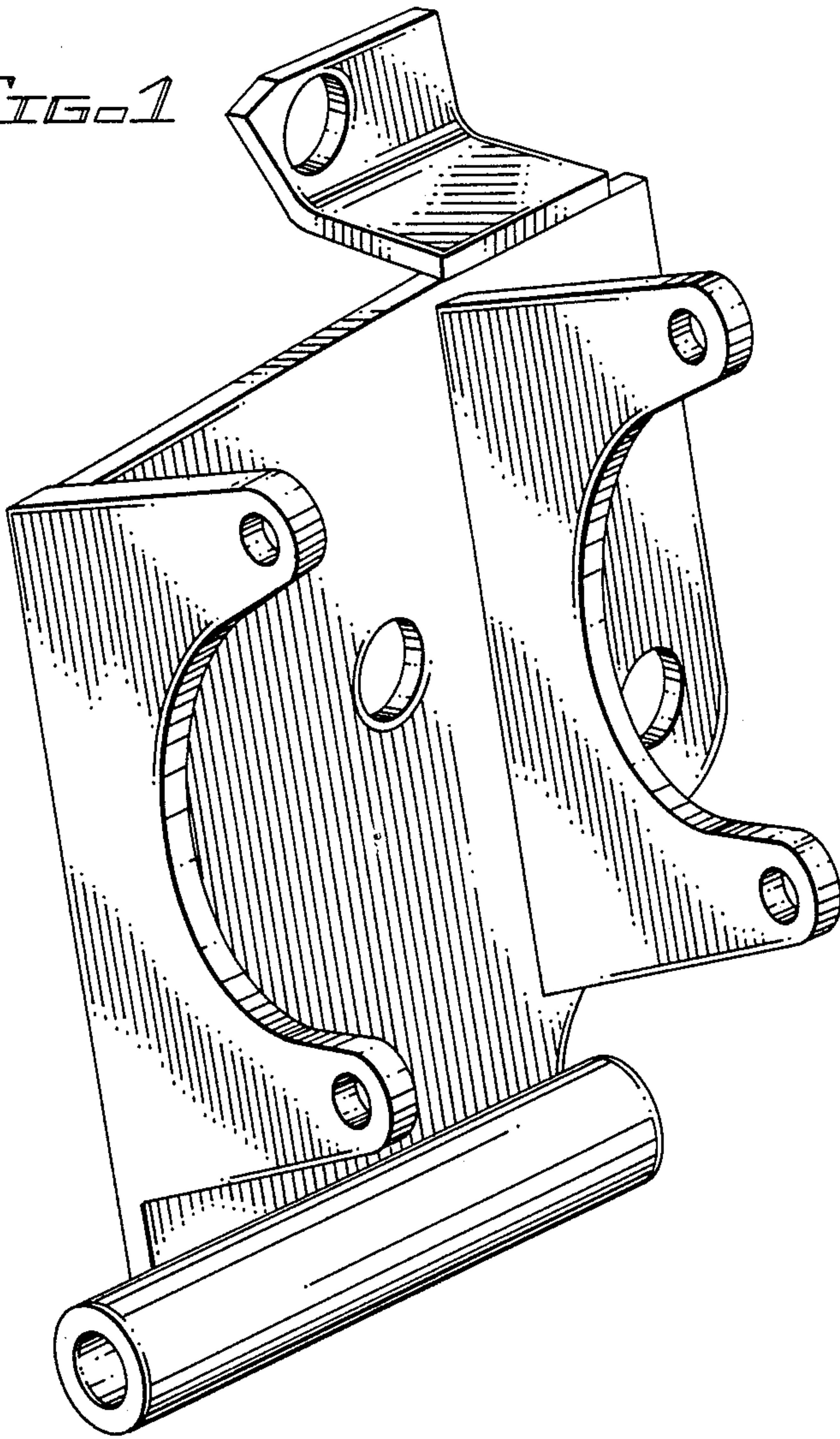


FIG. 2

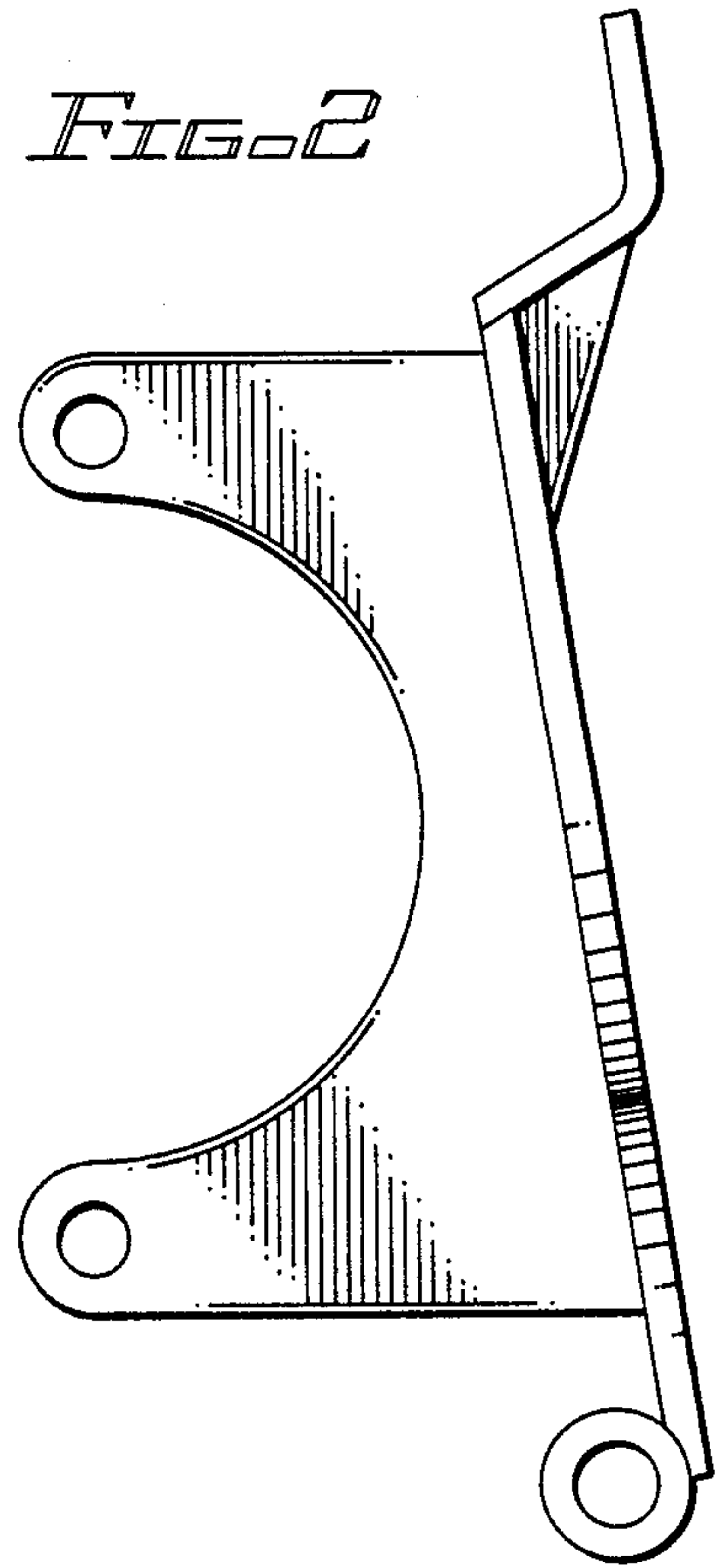


FIG. 4

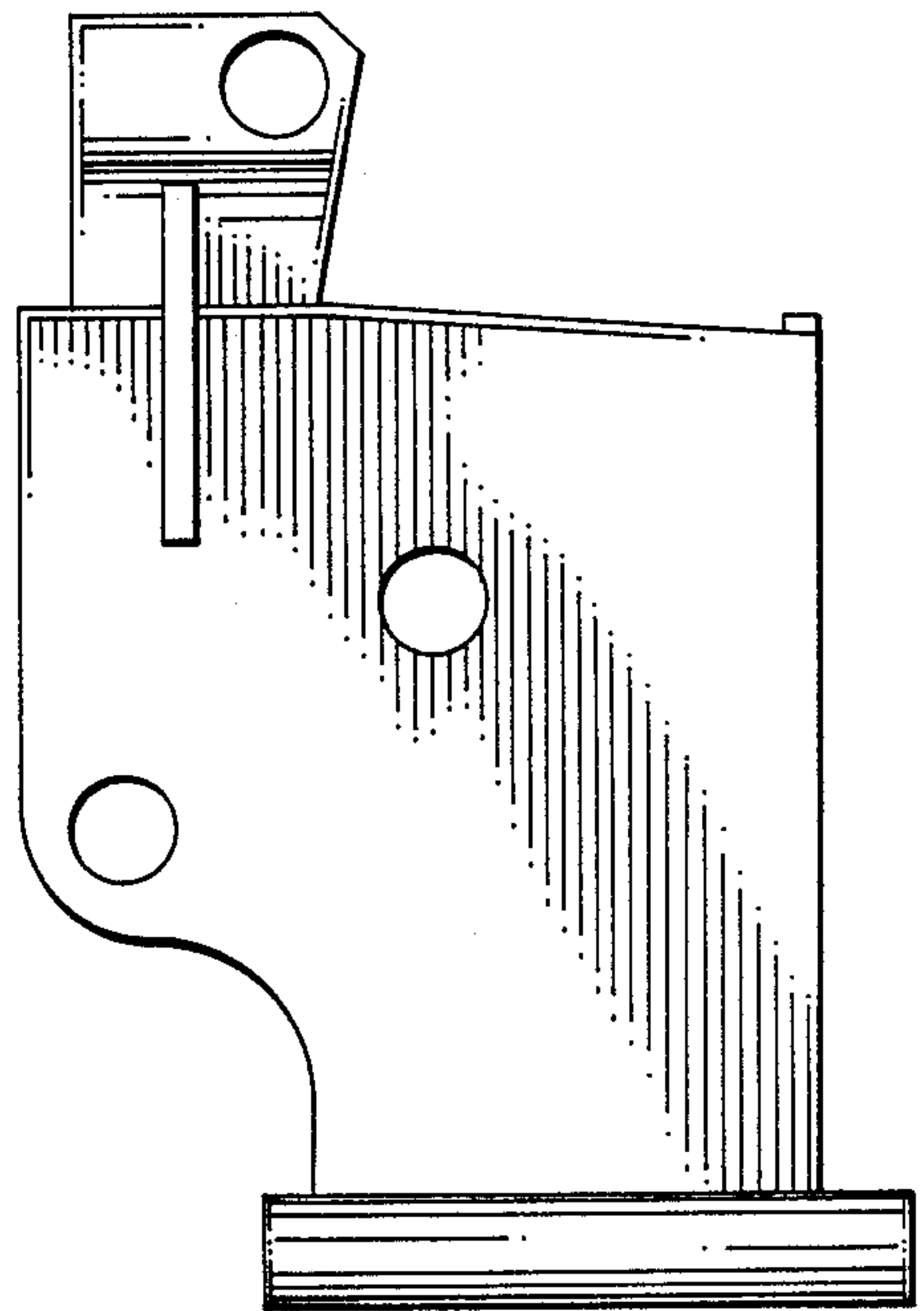
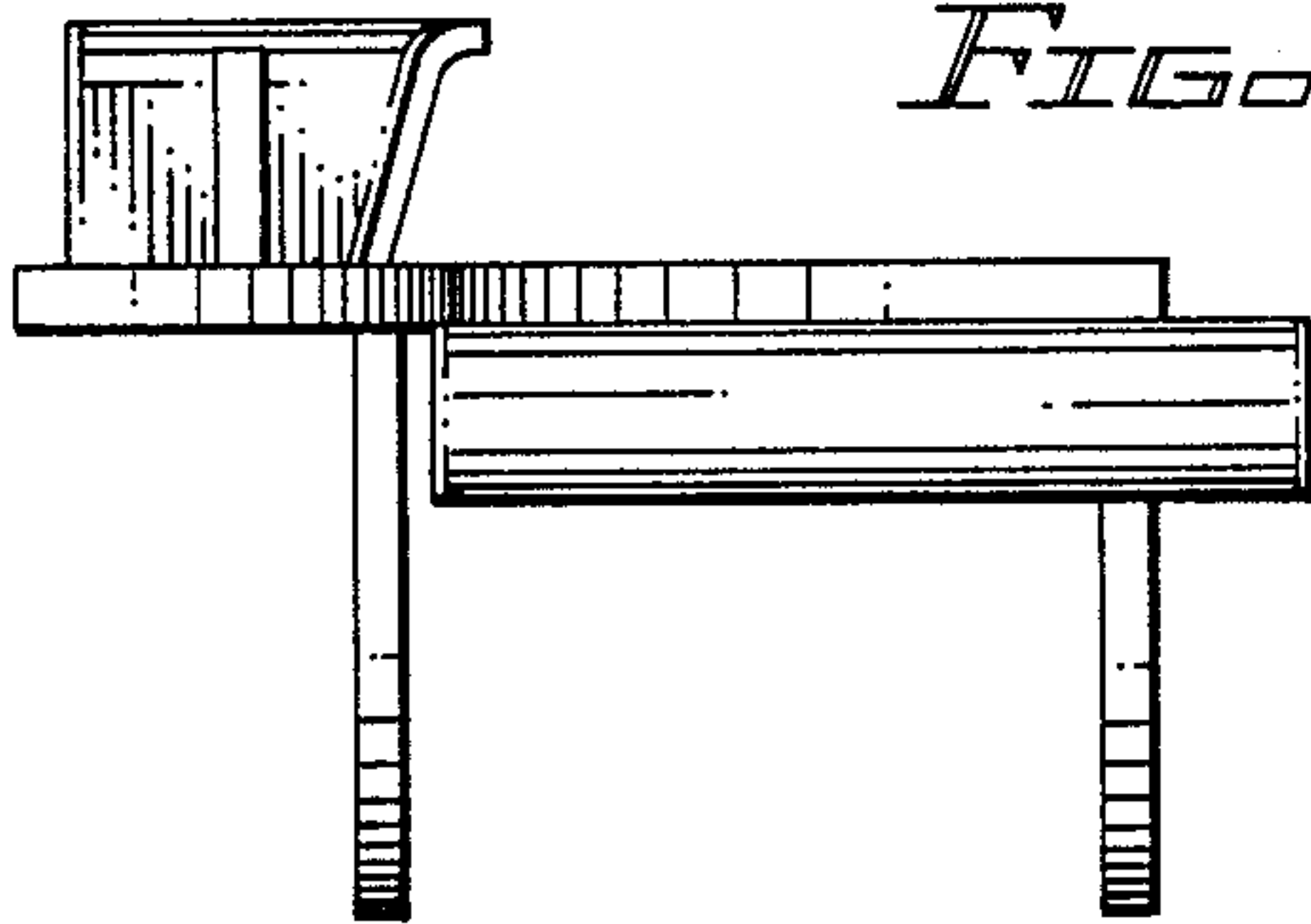


FIG. 3

FIG. 5

