

[54] **STEERING COLUMN LOCK**

[76] **Inventor: Hugh J. Webster, 32565 Jefferson Dr., Solon, Ohio 44139**

[**] **Term: 14 Years**

[21] **Appl. No.: 306,143**

[22] **Filed: Feb. 6, 1989**

[52] **U.S. Cl. D8/333; D8/331**

[58] **Field of Search D8/330-331, D8/336; 70/237, 252-253, 225, 183-184, 181, 212, 14**

[56] **References Cited**

U.S. PATENT DOCUMENTS

D. 227,547	7/1973	Bodan	D8/333
D. 284,447	7/1986	Webster	D8/331
D. 301,541	6/1989	Gifford	D8/331
3,665,738	5/1972	Pescuma et al.	70/237 X
3,811,303	5/1974	Robertson	70/237

4,008,589	2/1977	Harrell	70/237 X
4,020,662	5/1977	Fowler	70/237
4,598,562	7/1986	Freeman	70/237
4,627,514	12/1986	Brown	252 X/

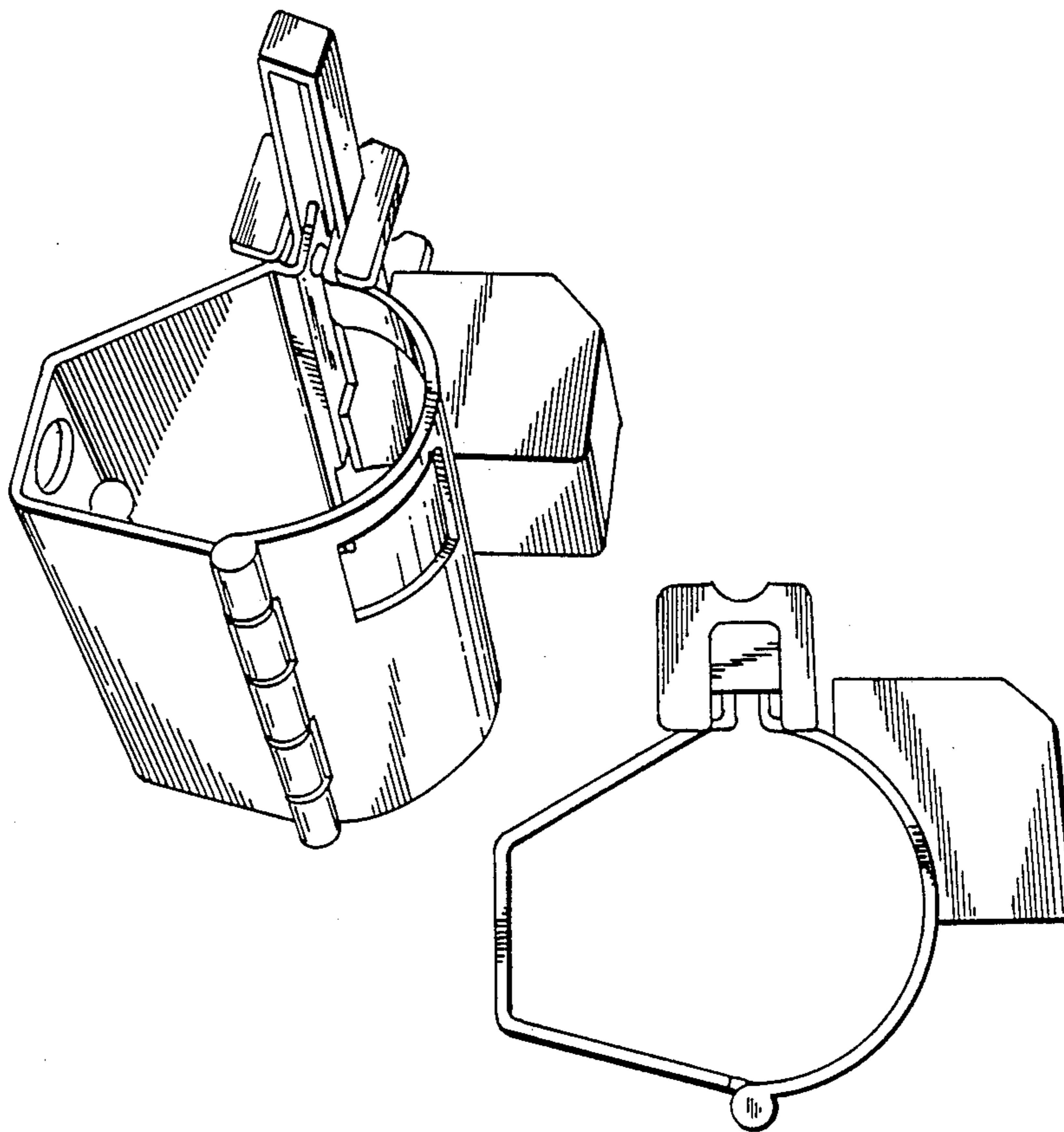
Primary Examiner—Wallace R. Burke
Assistant Examiner—Brian N. Vinson
Attorney, Agent, or Firm—James A. Hudak

[57] **CLAIM**

The ornamental design for a steering column lock, as shown and described.

DESCRIPTION

FIG. 1 is a perspective view of a steering column lock showing my new design;
FIG. 2 is a front elevational view thereof;
FIG. 3 is a top plan view thereof;
FIG. 4 is a bottom plan view thereof;
FIG. 5 is a right side elevational view thereof;
FIG. 6 is a left side elevational view thereof; and
FIG. 7 is a rear elevational view thereof.



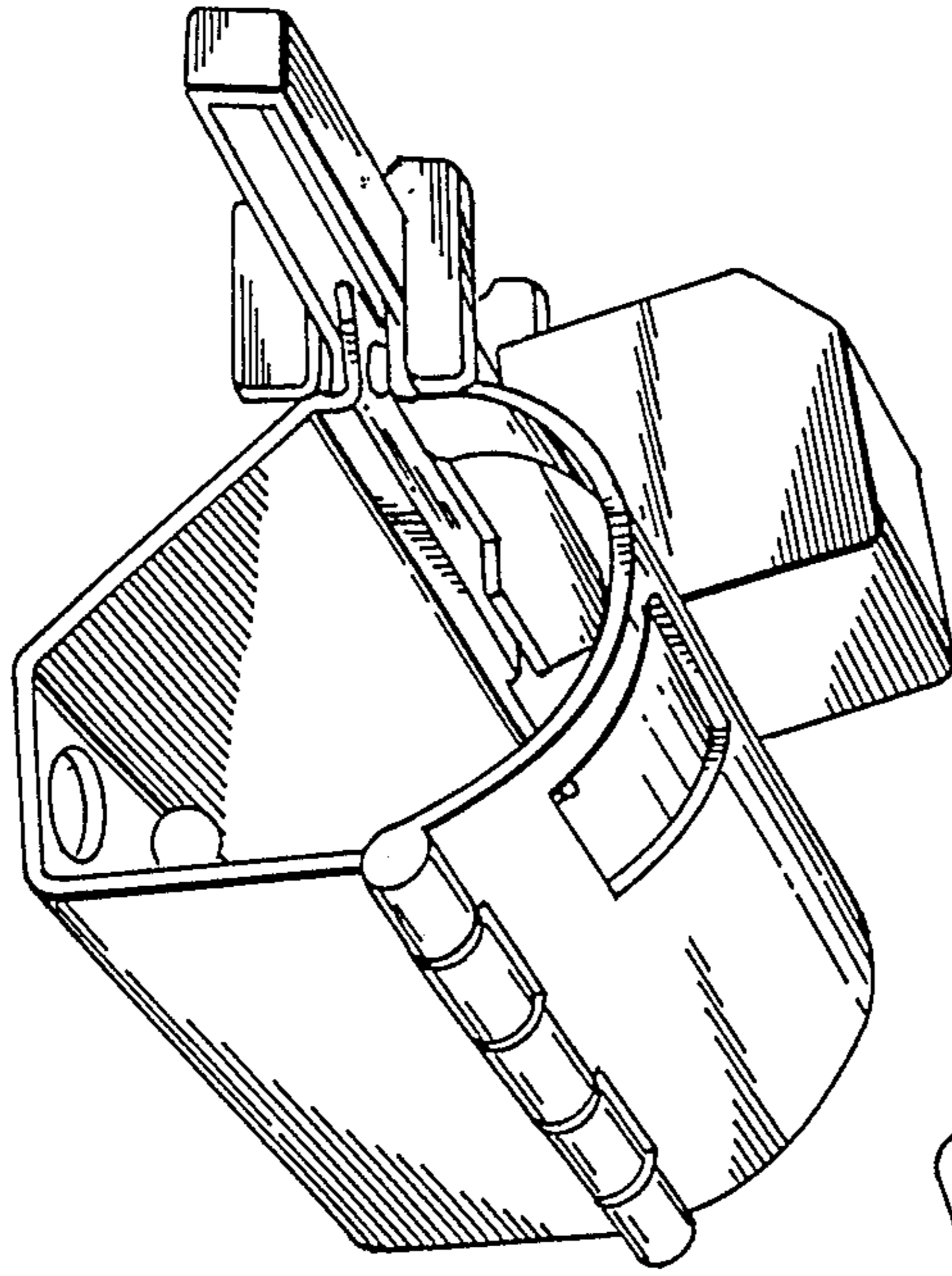


FIG. 1

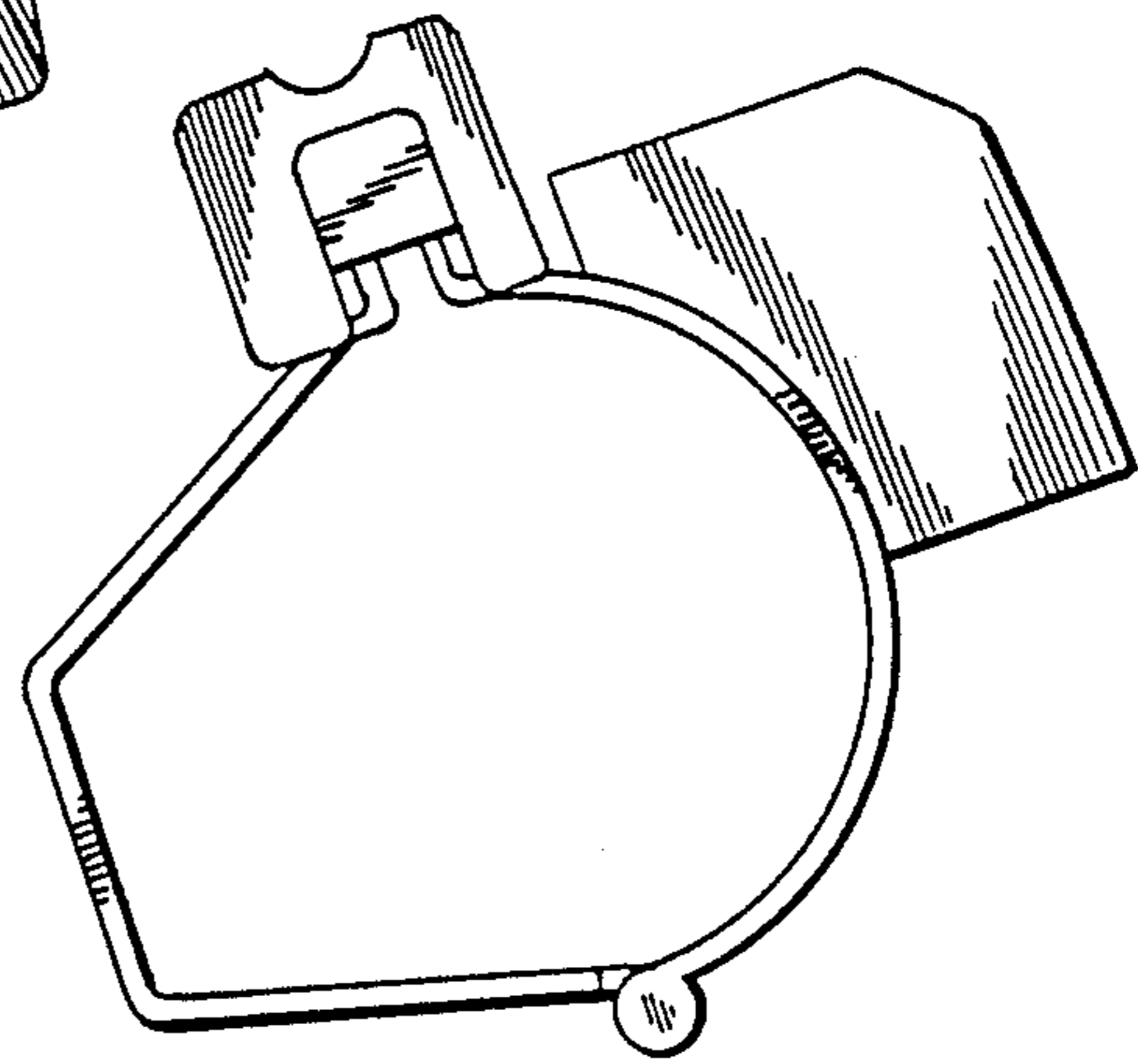


FIG. 2

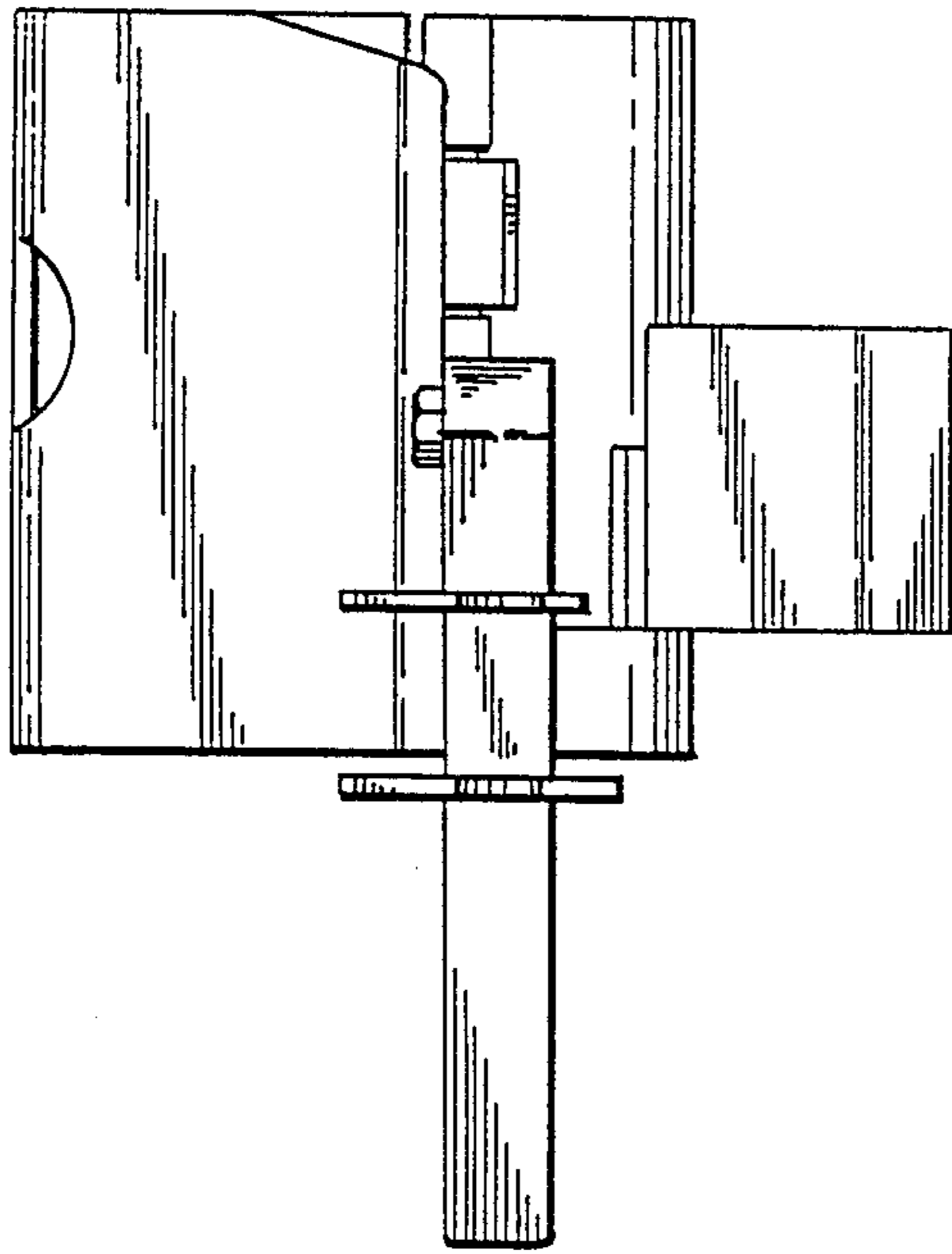


FIG. 3

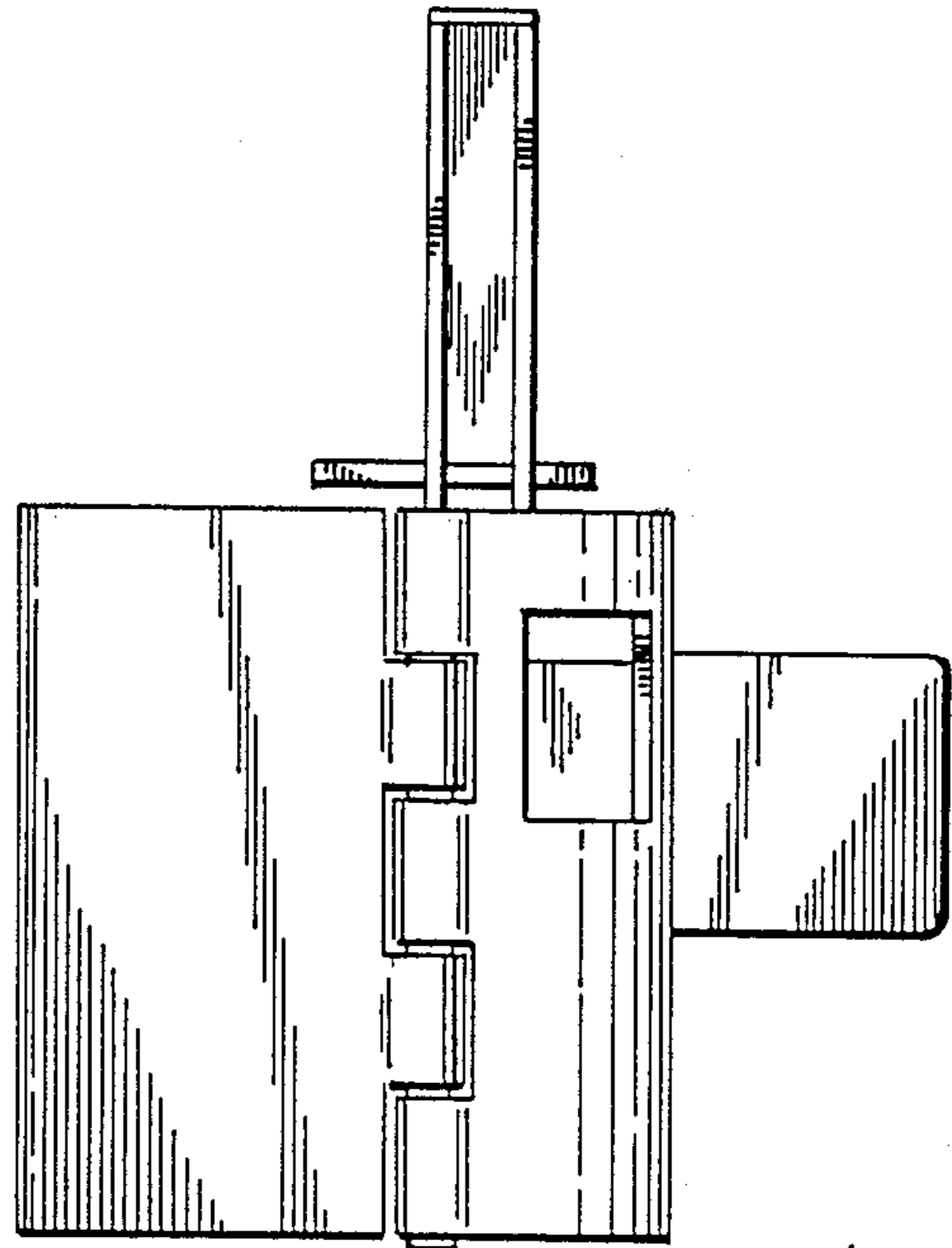


FIG. 4

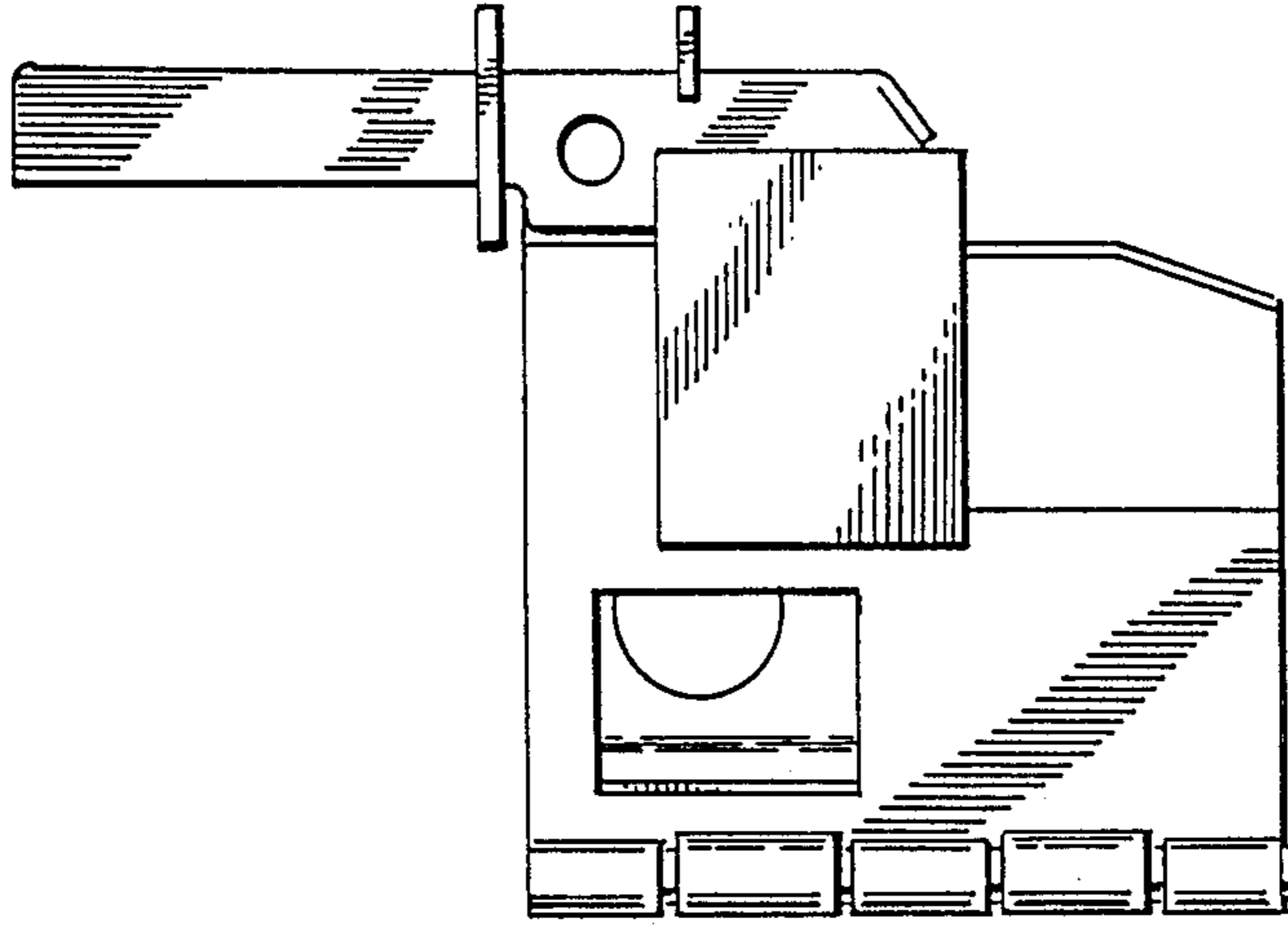


FIG. 5

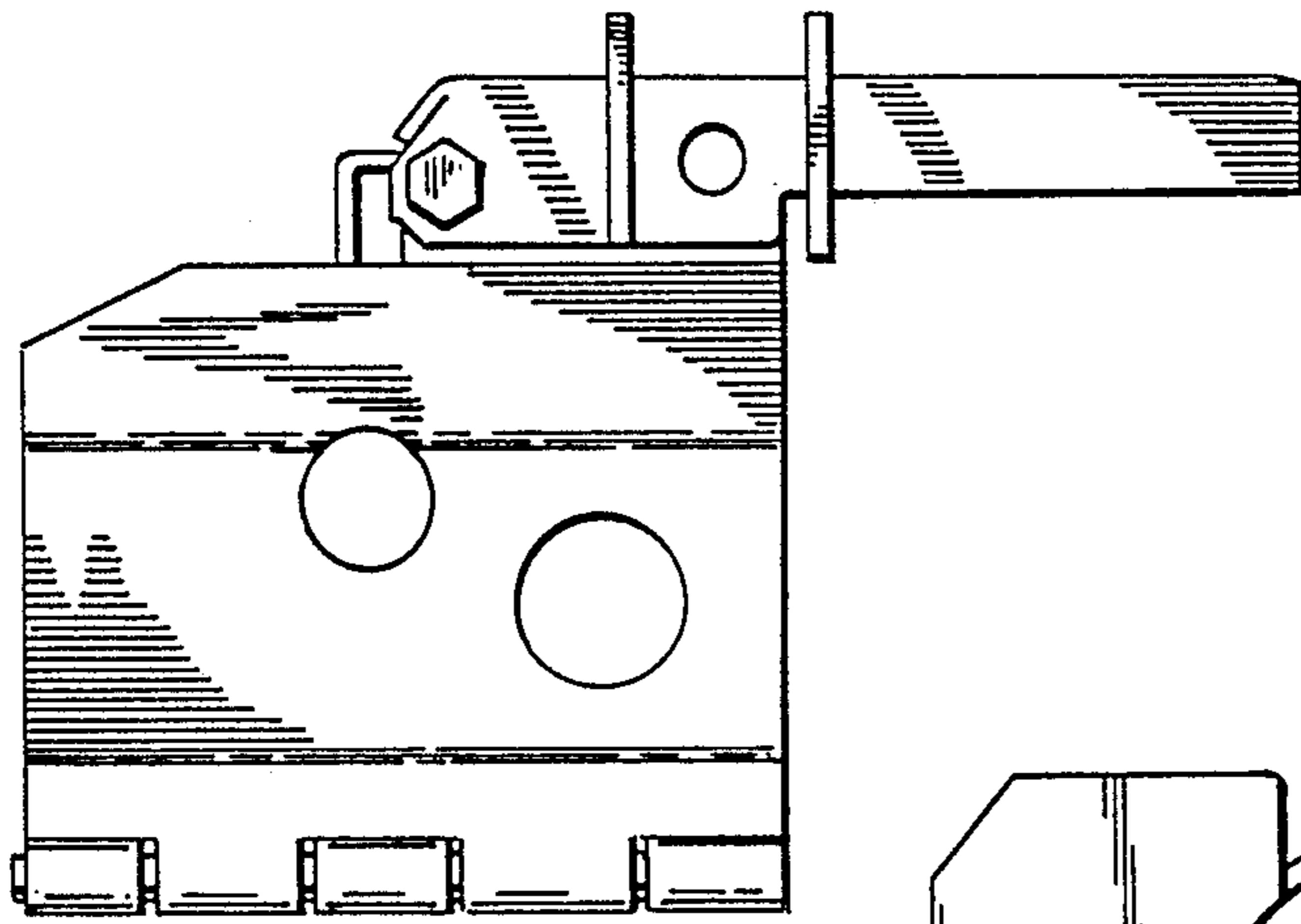


FIG. 6

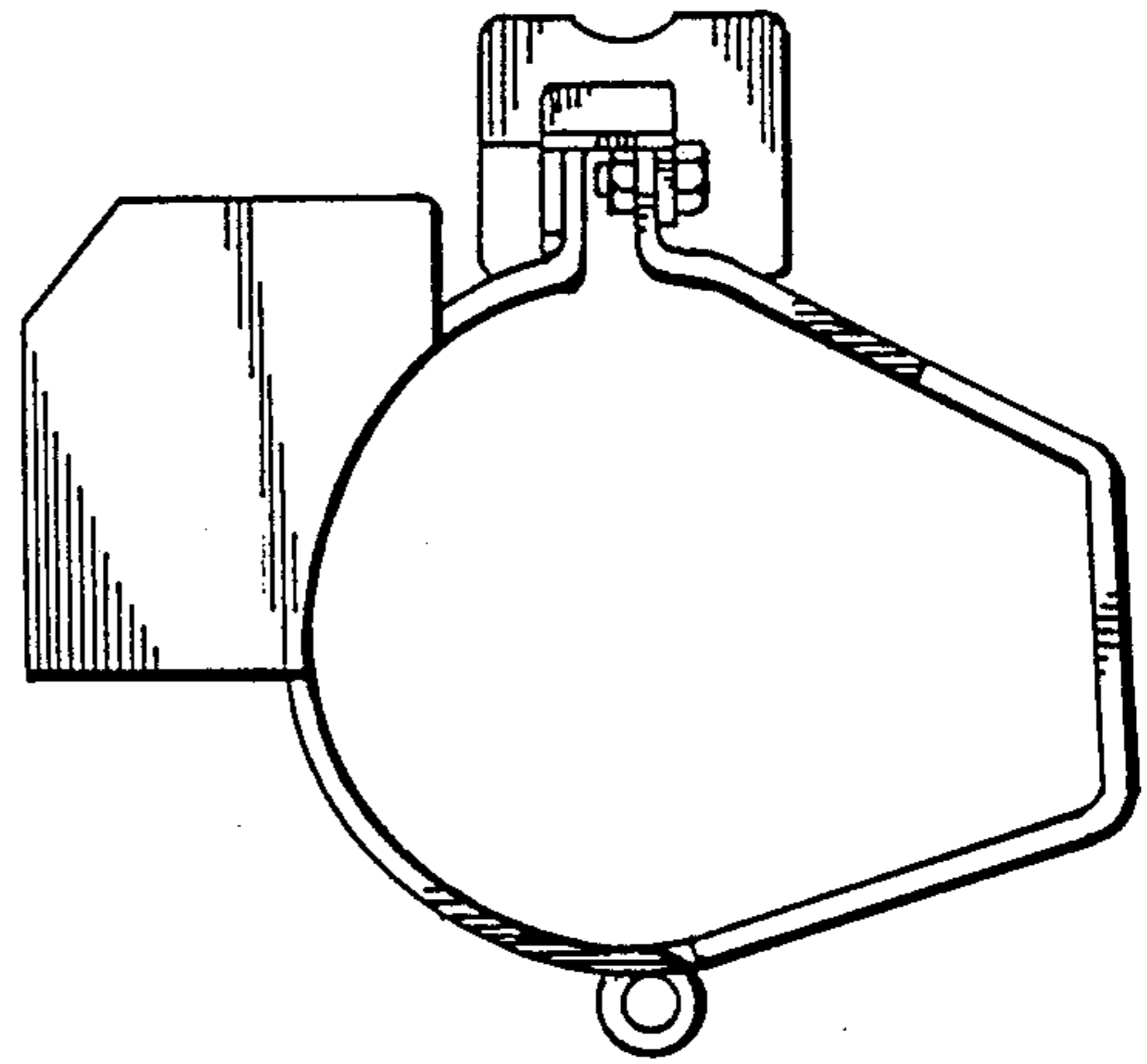


FIG. 7