

[54] TAILGATE LATCH

[75] Inventor: Franklin E. Tousaw, Embro, Canada

[73] Assignee: Deere & Company, Moline, Ill.

[\*\*] Term: 14 Years

[21] Appl. No.: 235,071

[22] Filed: Aug. 22, 1988

[52] U.S. Cl. .... D8/331; D8/344

[58] Field of Search ..... D8/330-331, D8/343-344; 292/340, 341.15, DIG. 14, DIG. 23, DIG. 32, DIG. 42, DIG. 43; 16/82-83; 298/6

[56] References Cited

U.S. PATENT DOCUMENTS

D. 167,938	10/1952	Grindstad .....	D8/330
D. 292,369	10/1987	Greco .....	D8/331
D. 294,452	3/1988	Bakula .....	D8/330
2,208,691	7/1940	Voth .....	16/135
2,246,358	6/1941	Jelinet et al. ....	16/163
2,491,417	12/1949	Pflantz et al. ....	298/5
2,542,795	2/1951	Clement et al. ....	298/1
2,628,127	2/1953	Palsgrove et al. ....	298/19
3,147,031	9/1964	Olander .....	292/340

OTHER PUBLICATIONS

John Deere AMT 600 Literature, issue date Feb. 1988, published by Deere & Company, Moline, Ill. Operator's Manual AMT 600 All Material Transporter, Issue OM-W38899 Issue A7, published by Deere & Company, Moline, Ill., 1987.

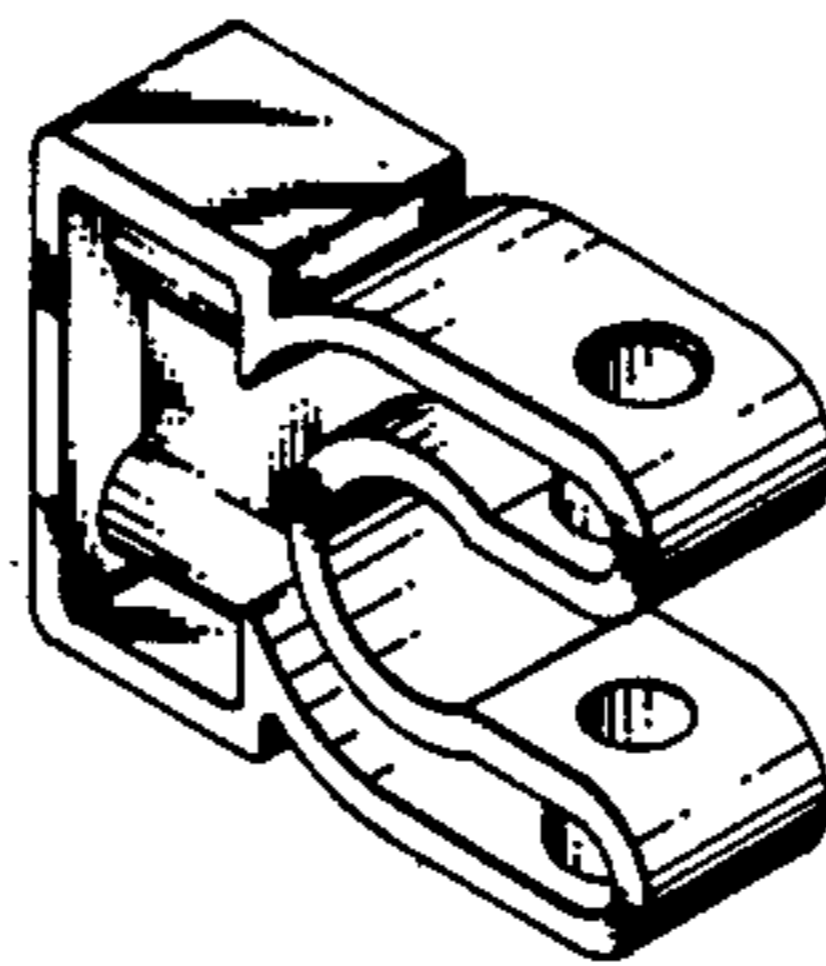
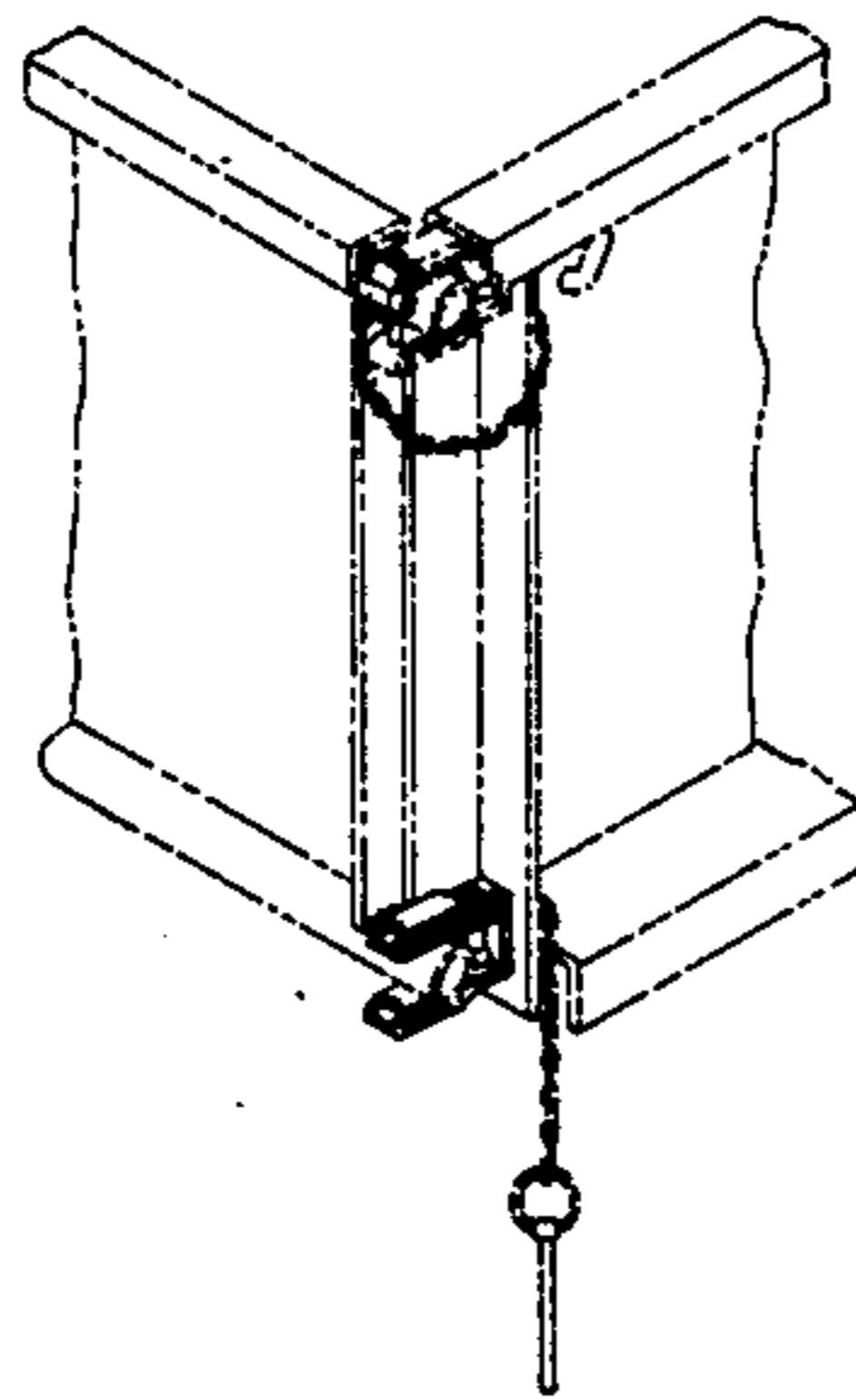
Primary Examiner—Wallace R. Burke  
Assistant Examiner—Brian N. Vinson

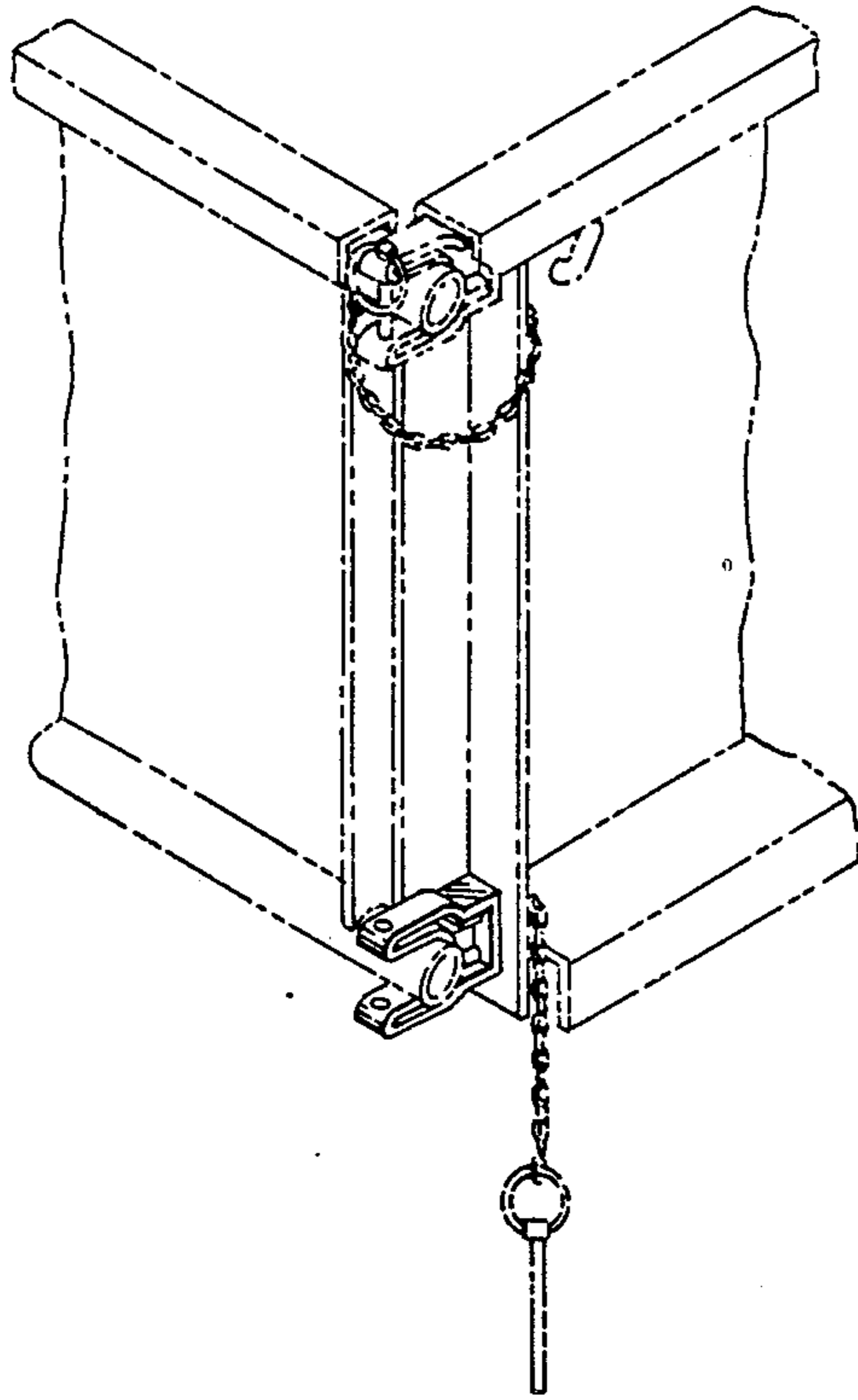
[57] CLAIM

The ornamental design for a tailgate latch, as shown and described.

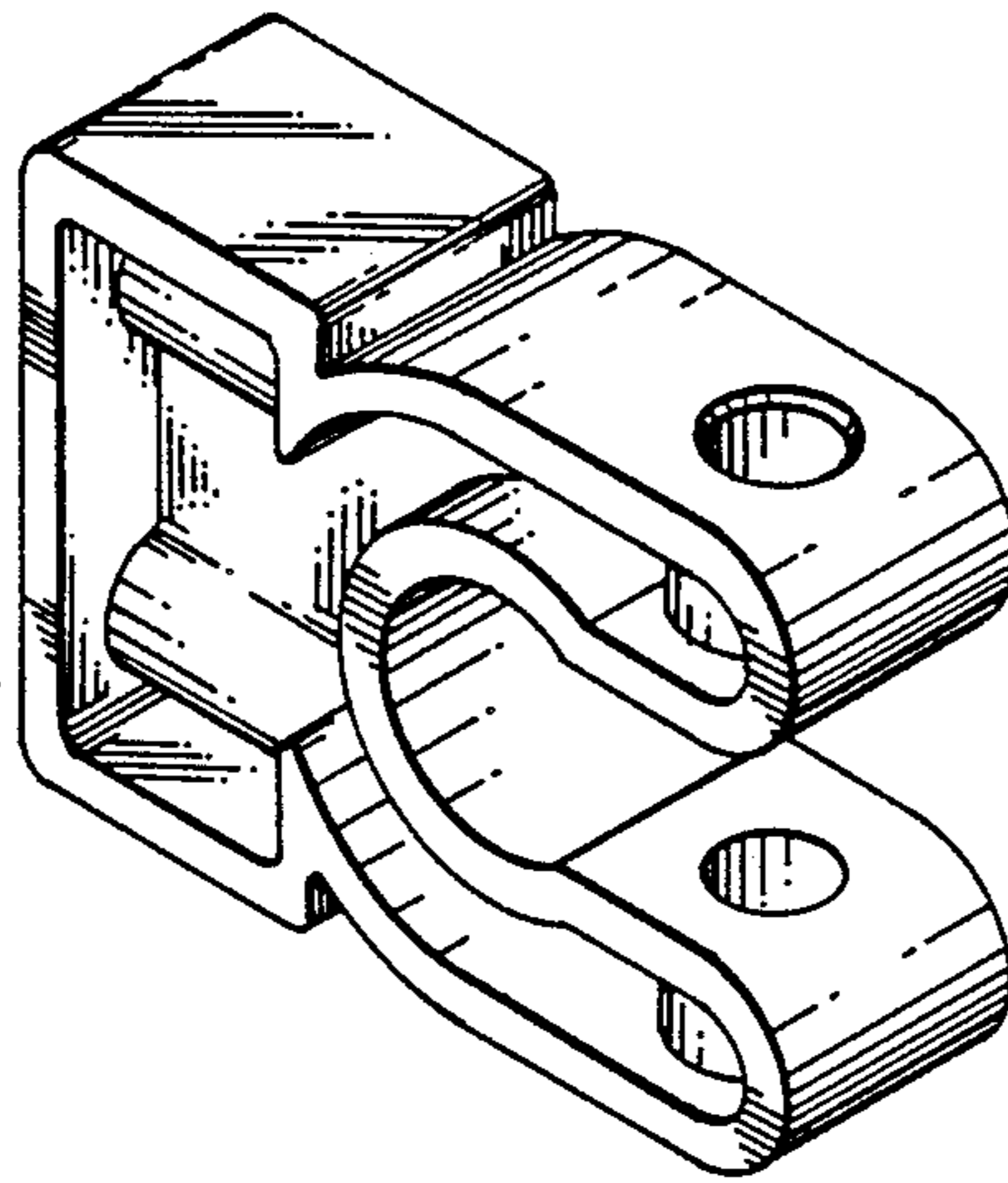
DESCRIPTION

FIG. 1 is a perspective view of a tailgate latch showing my new design, the broken-line depiction of a second latch and tailgate assembly being for illustrative purposes only and forming no part of the claimed design; FIG. 2 is an enlarged perspective view thereof; FIG. 3 is an enlarged side elevational view thereof, the opposite side being a mirror image of that shown; FIG. 4 is an enlarged end elevational view thereof; FIG. 5 is an enlarged opposite end elevational view thereof; FIG. 6 is an enlarged top plan view thereof; and FIG. 7 is an enlarged bottom plan view thereof.



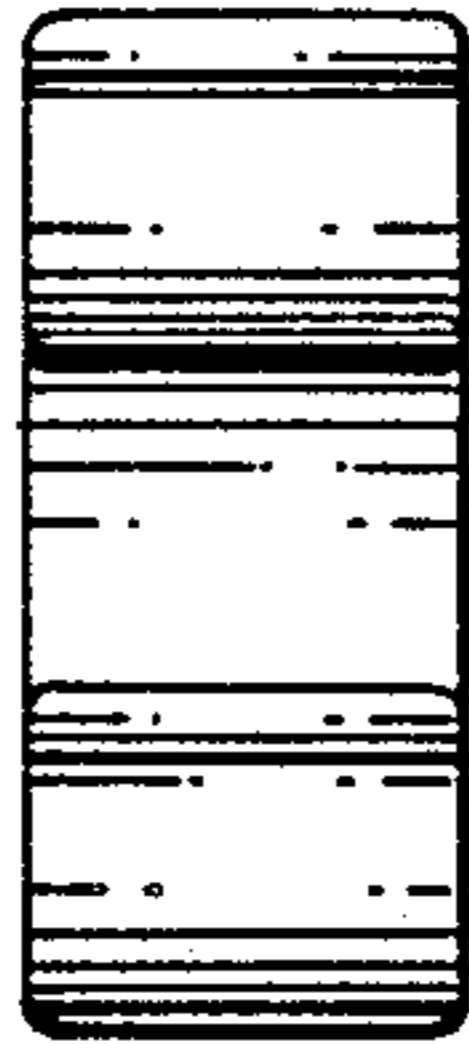
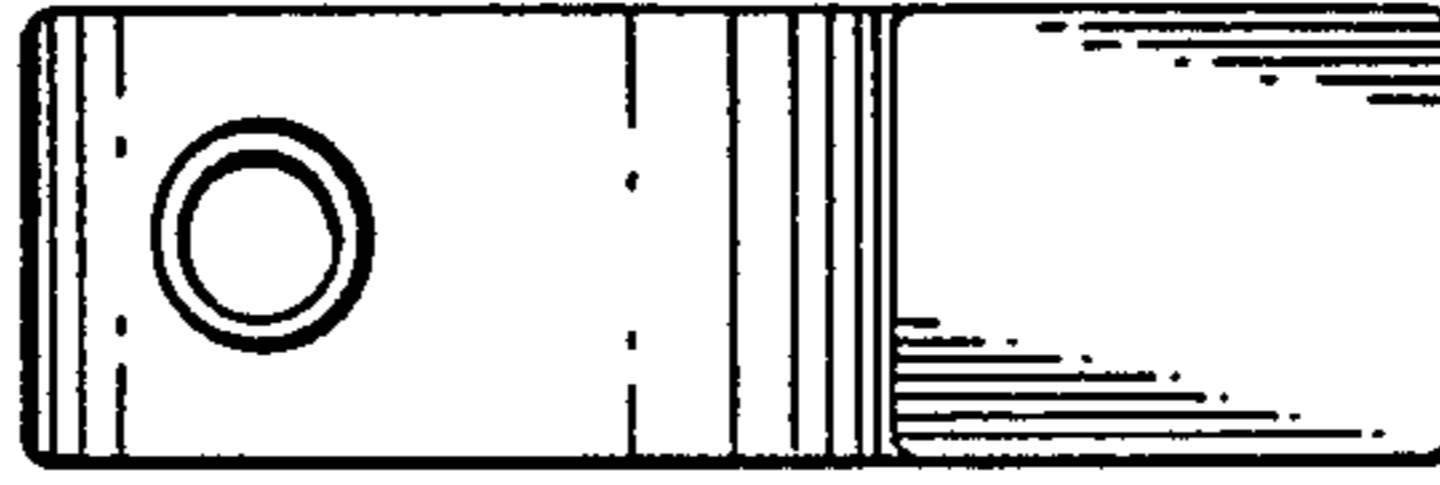


*Fig. 1*

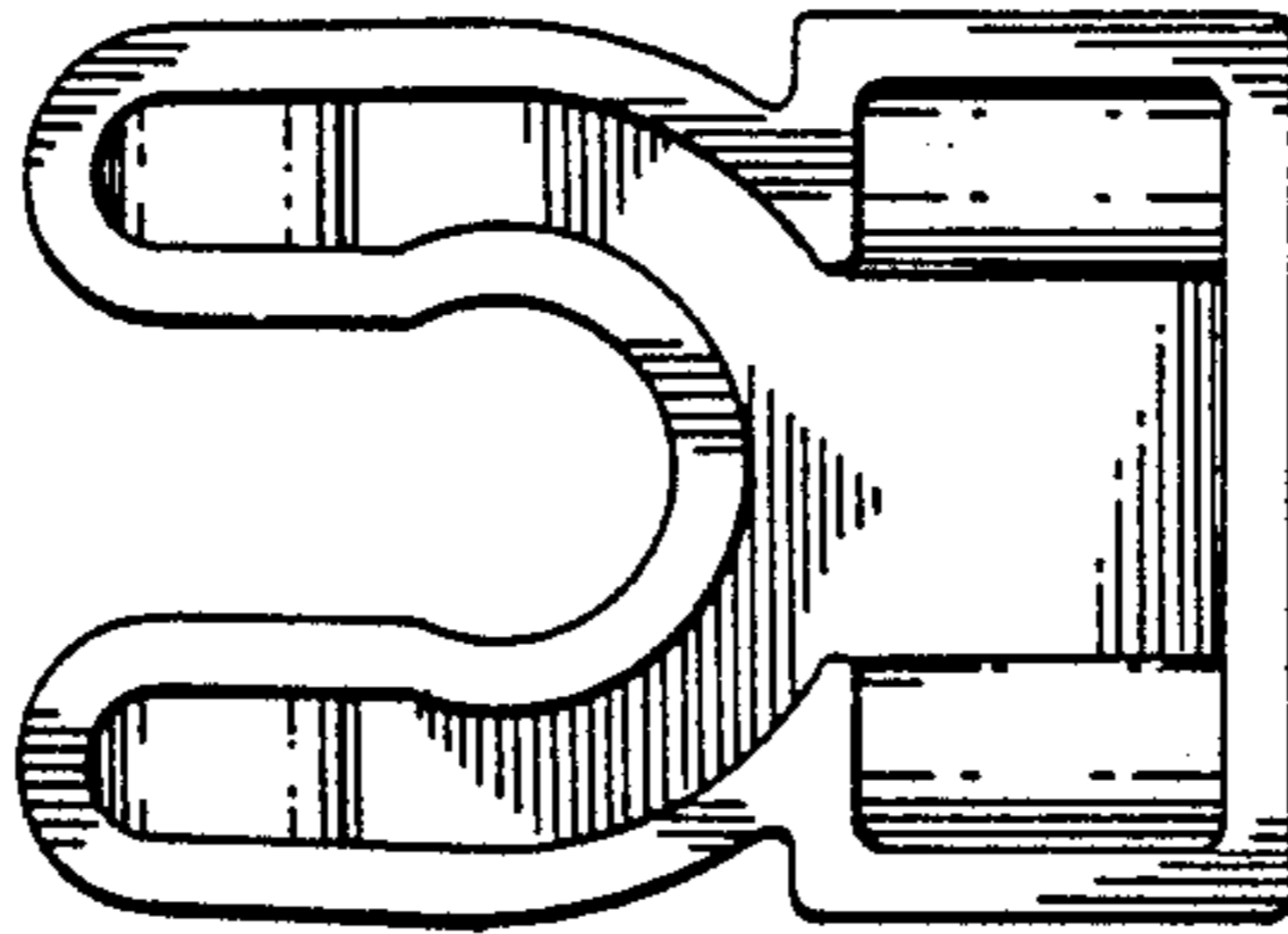


*Fig. 2*

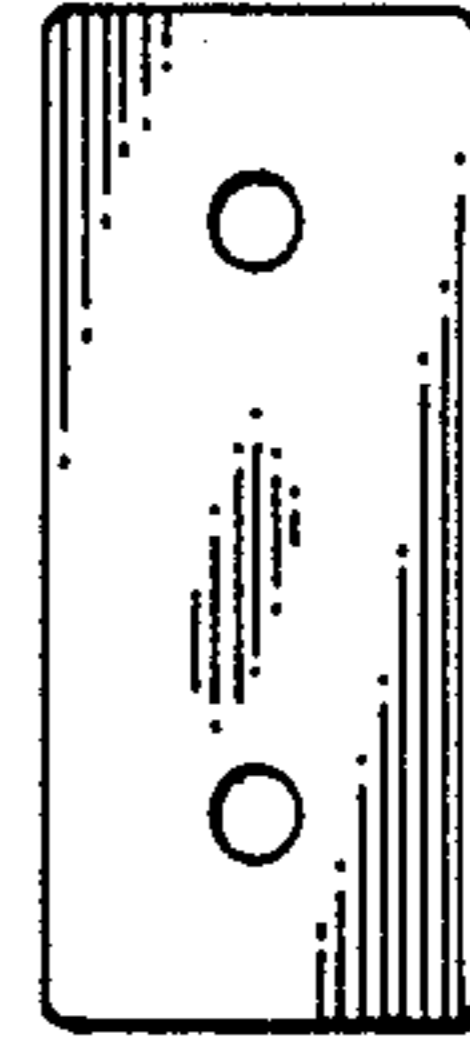
*Fig. 7*



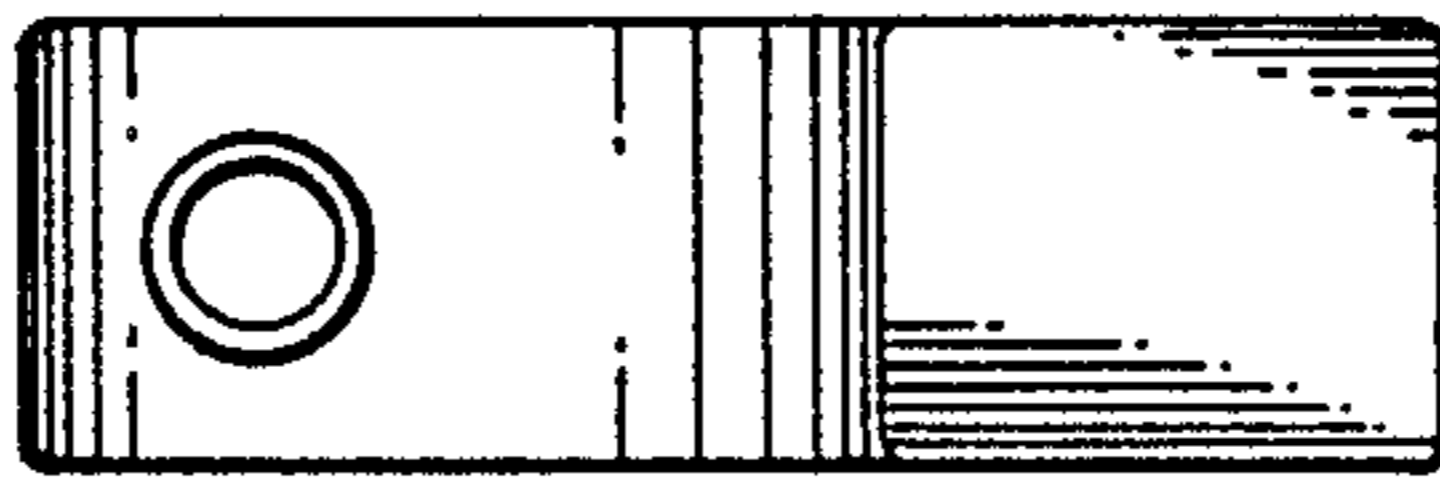
*Fig. 4*



*Fig. 3*



*Fig. 5*



*Fig. 6*