

United States Patent [19]

Sarnoff et al.

[11] Patent Number: Des. 311,850

[45] Date of Patent: ** Nov. 6, 1990

[54] **COFFEE FILTER GRIPPER**

[75] Inventors: Norton Sarnoff, Northbrook; Carl R. Fletcher, Arlington Heights, both of Ill.

[73] Assignee: Ensar Corporation, Wheeling, Ill.

[**] Term: 14 Years

[21] Appl. No.: 215,913

[22] Filed: Jul. 6, 1988

[52] U.S. Cl. D7/686

[58] Field of Search D7/669, 683-687;
294/1.1, 3, 8.5, 16, 99.1, 99.2

[56] **References Cited**

U.S. PATENT DOCUMENTS

4,877,280 10/1989 Milano 294/99.2

Primary Examiner—Bernard Ansher
Assistant Examiner—Terry A. Pfeffer
Attorney, Agent, or Firm—Dressler, Goldsmith, Shore,
Sutker & Milnamow, Ltd.

[57] **CLAIM**

The ornamental design for a coffee filter gripper, as shown and described.

DESCRIPTION

FIG. 1 is a perspective view of a coffee filter gripper showing our new design;
FIG. 2 is a side elevational view thereof, the opposite side view being a mirror image thereof;
FIG. 3 is a top plan view thereof;
FIG. 4 is a bottom plan view thereof;
FIG. 5 is a rear elevational view thereof; and
FIG. 6 is a front elevational view thereof.

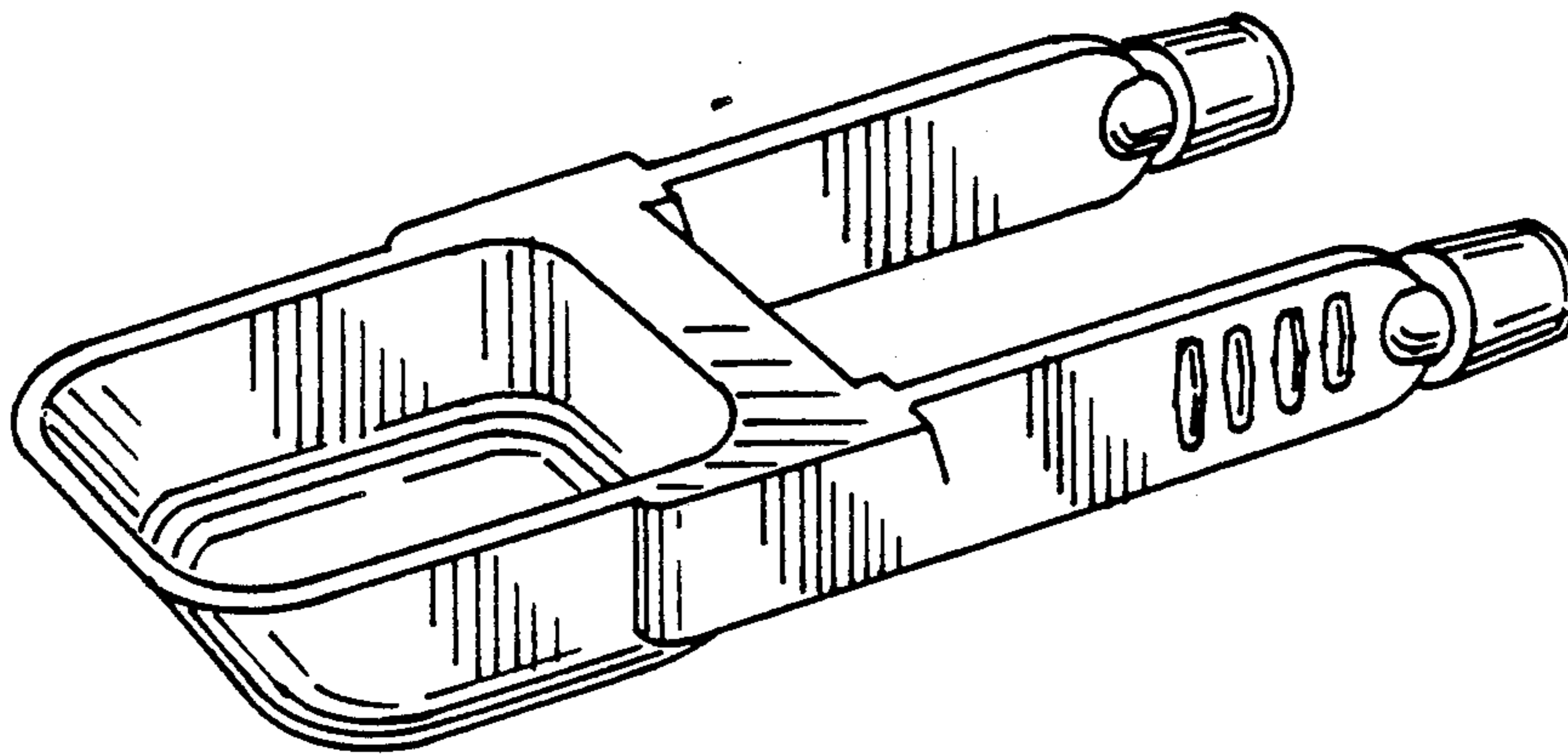


FIG. 1.

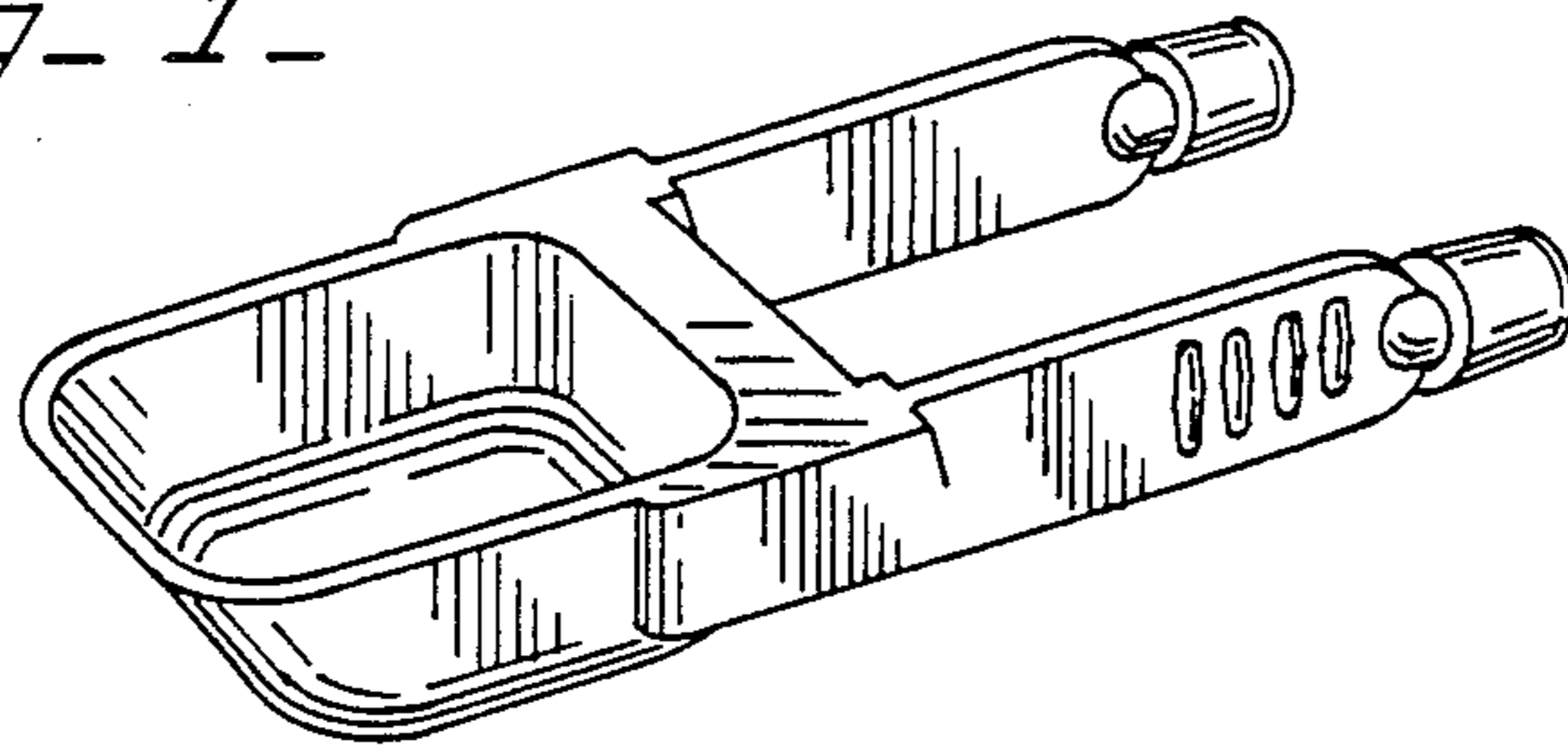


FIG. 2.



FIG. 5.

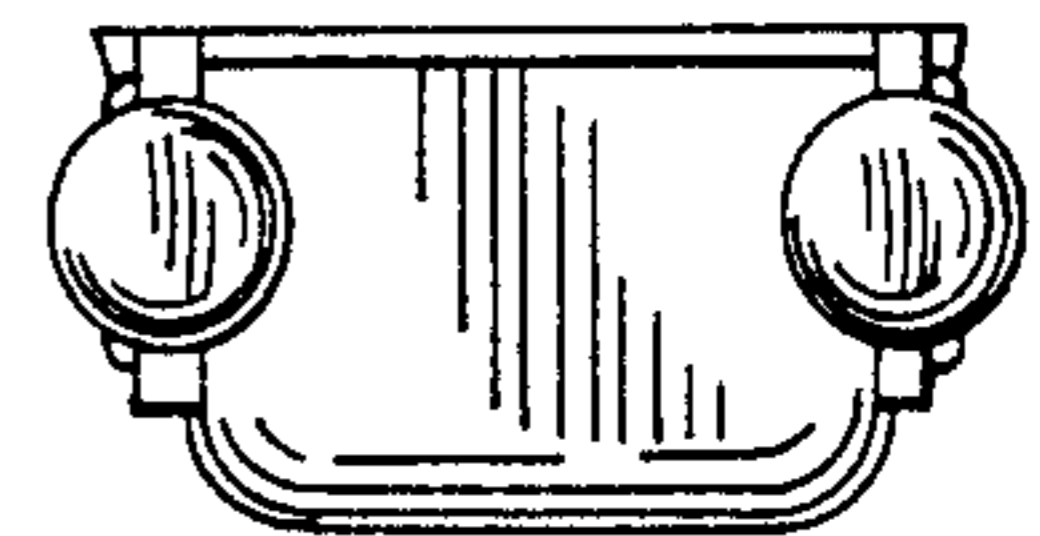


FIG. 3.

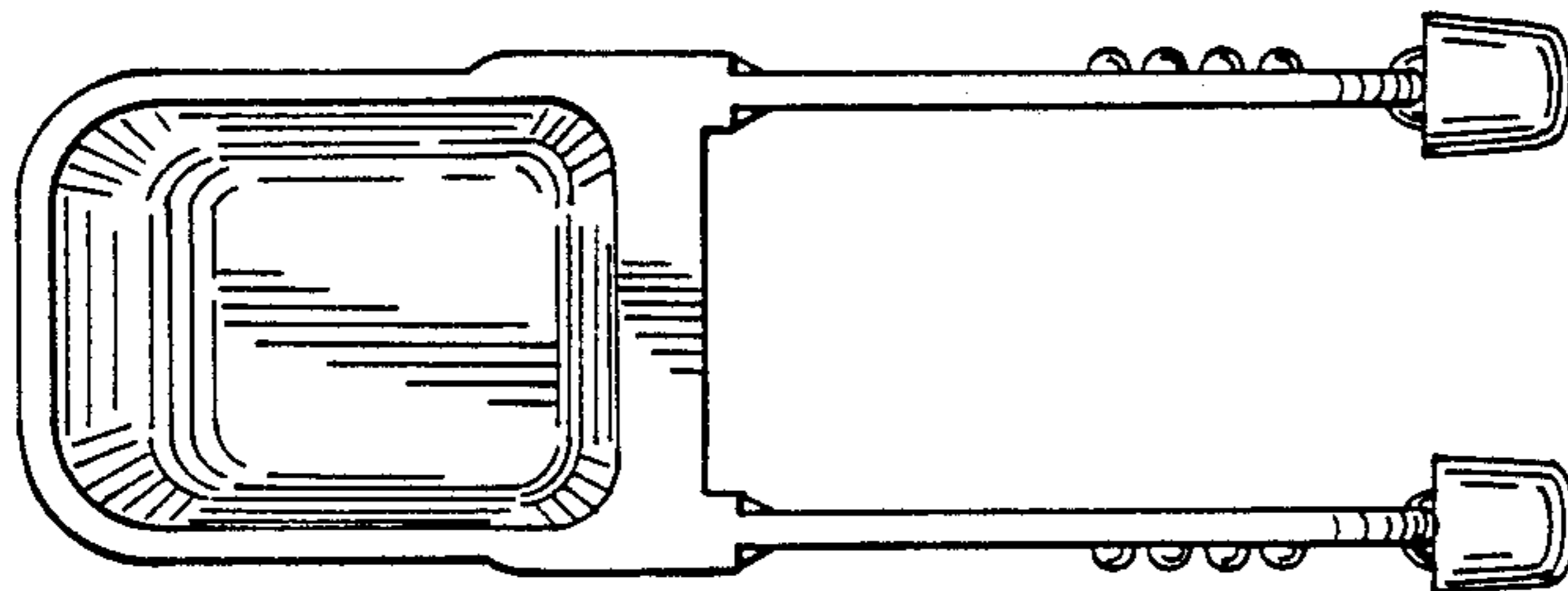


FIG. 6.

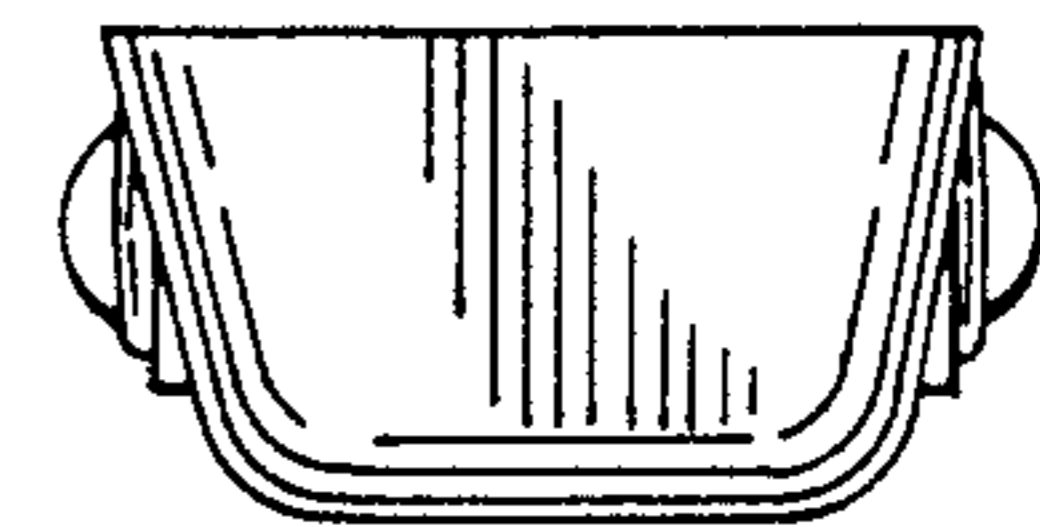


FIG. 4.

