

United States Patent [19]

Mikami et al.

[11] Patent Number: **Des. 311,848**

[45] Date of Patent: **** Nov. 6, 1990**

[54] **AUTOMATIC BREAD MAKER**

[75] Inventors: **Akio Mikami; Toshio Watanabe**, both of Osaka, Japan

[73] Assignee: **Matsushita Electric Industrial Co., Ltd.**, Osaka, Japan

[**] Term: **14 Years**

[21] Appl. No.: **103,573**

[22] Filed: **Oct. 1, 1987**

[30] **Foreign Application Priority Data**

Jul. 8, 1987 [JP] Japan 62-27803

[52] U.S. Cl. **D7/348**

[58] Field of Search D7/323, 331, 347, 348, D7/350; 126/19 R, 19 M, 275 R, 275 E, 273 R; 99/467, 468, 348, 352, 353

[56] **References Cited**

U.S. PATENT DOCUMENTS

D, 189,279 11/1960 Beyrodt D7/350
D, 250,339 11/1978 Selva D7/348
4,189,992 2/1980 Bamy 99/352
4,538,509 9/1985 Ojima et al. 99/348

OTHER PUBLICATIONS

Funai Single Catalog Sheet, Feb. 1987.

Primary Examiner—A. Hugo Word
Assistant Examiner—Ruth McInroy
Attorney, Agent, or Firm—Sughrue, Mion, Zinn, Macpeak & Seas

[57] **CLAIM**

The ornamental design for an automatic bread maker, as shown.

DESCRIPTION

FIG. 1 is a front, top and right side perspective view of an automatic bread maker showing our new design; FIG. 2 is a rear, bottom and left side perspective view thereof; and FIG. 3 is a top plan view thereof.

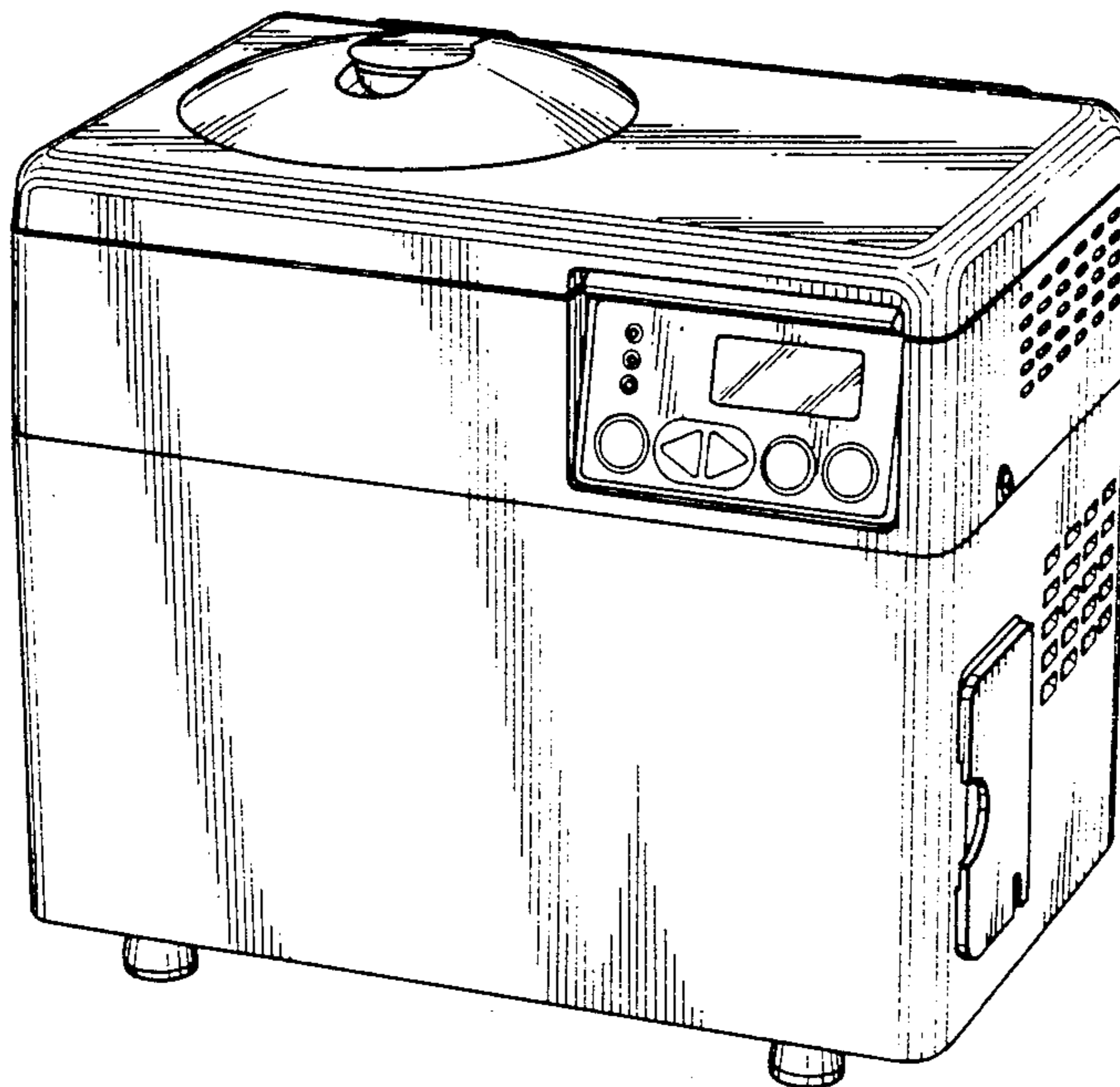


Fig. 1

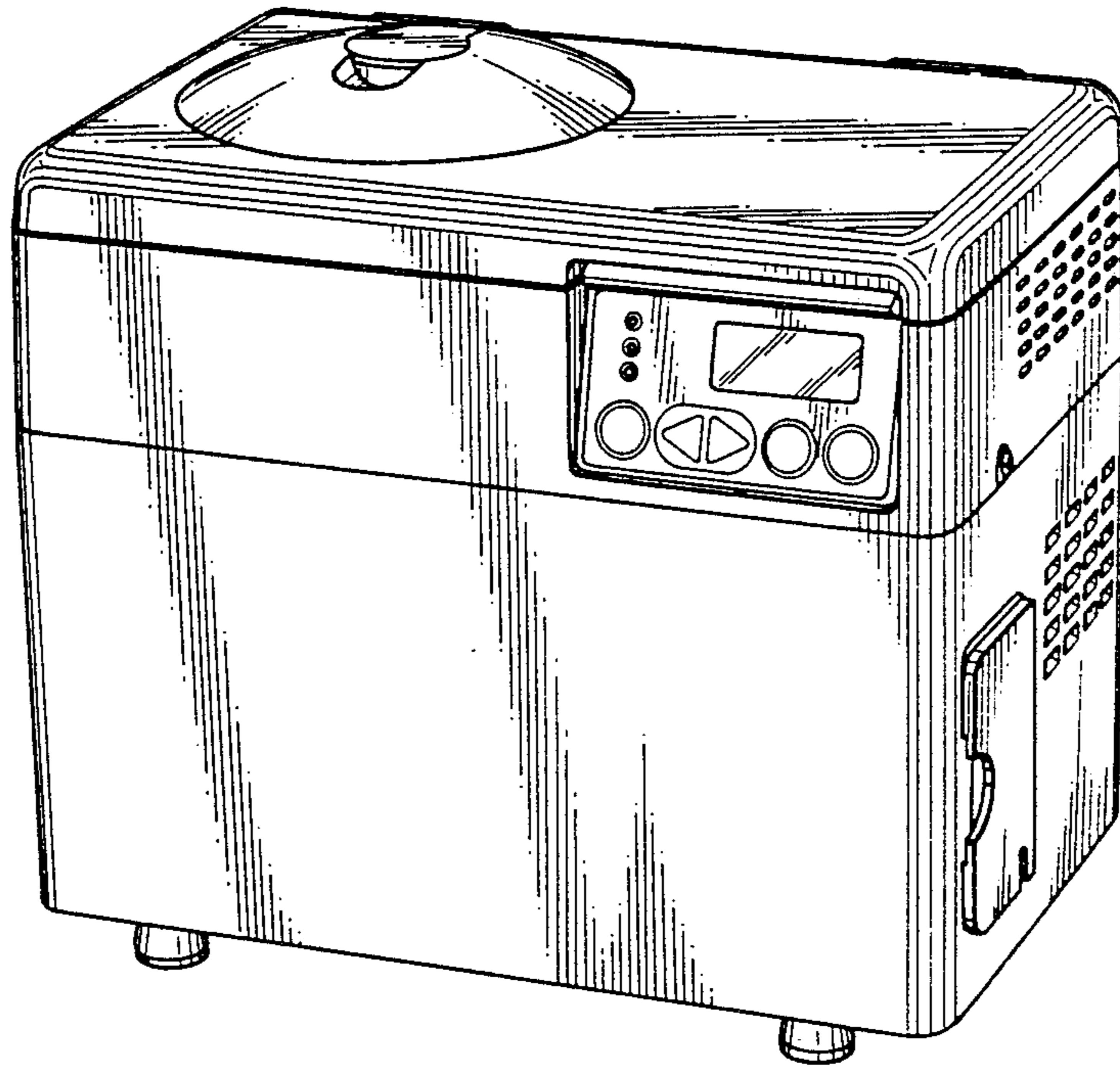


Fig. 2

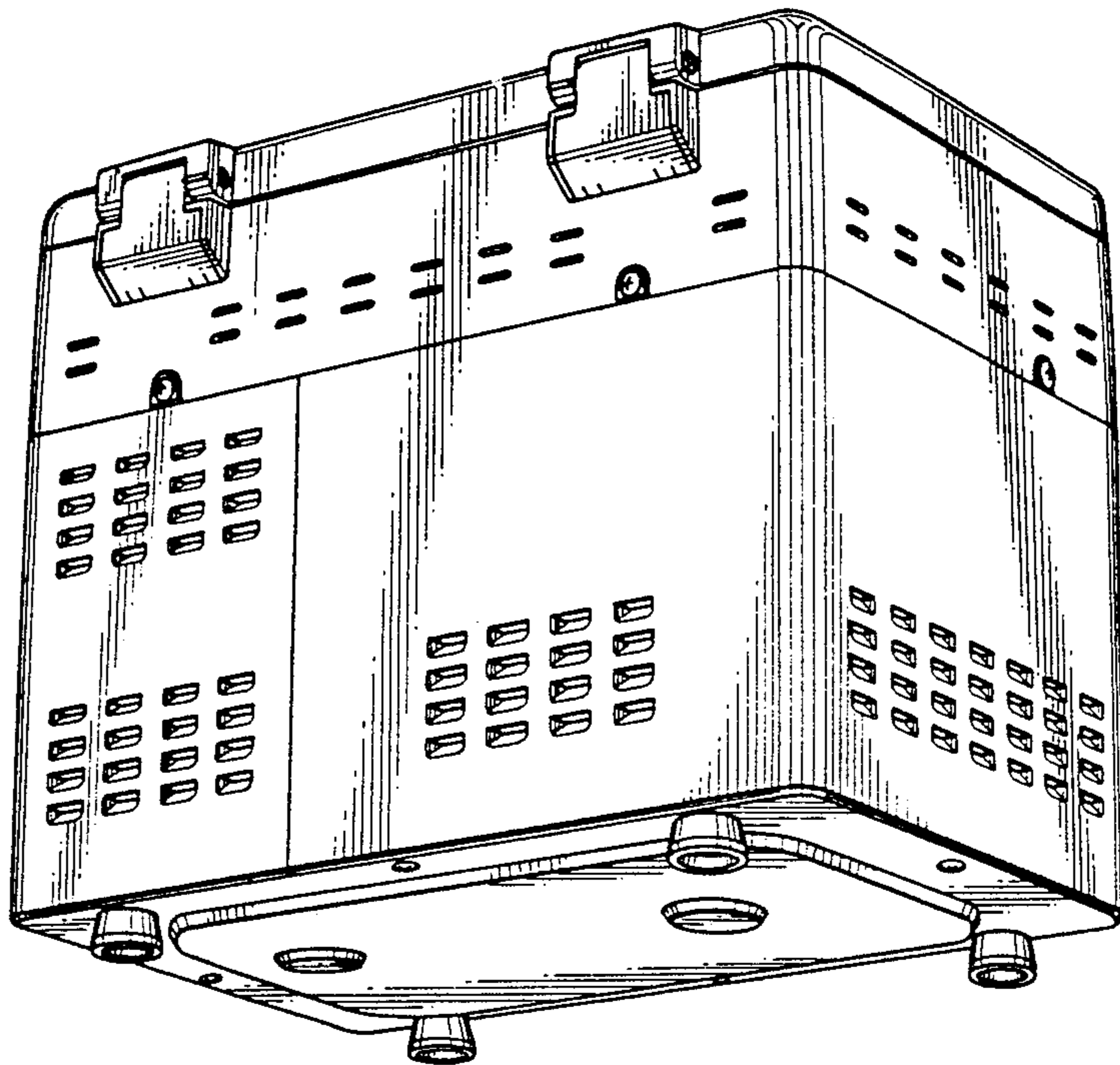


Fig. 3

