

[54] BEVERAGE DISPENSER

[75] Inventors: Kathryn M. Chase; Roger C. Whigham, both of Atlanta; George H. Hoover, Marietta, all of Ga.; F. Gordon MacKay, Tarzana; Spencer L. MacKay, Agoura Hills, both of Calif.

[73] Assignee: The Coca-Cola Company, Atlanta, Ga.

[\*\*] Term: 14 Years

[21] Appl. No.: 116,117

[22] Filed: Oct. 29, 1987

[52] U.S. Cl. .... D7/308; D7/311

[58] Field of Search ..... D7/306, 307, 305, 308, D7/309, 311, 397, 399, 300, 312; 62/390; 222/146.6, 129.1, 129.2, 129.4

[56] References Cited

U.S. PATENT DOCUMENTS

- D. 188,909 9/1960 Maxson ..... D7/311
D. 202,688 11/1965 Cornelius .
D. 215,045 8/1969 Benjamin .
D. 215,259 9/1969 Syverson ..... D7/308
D. 218,083 7/1970 Hartley ..... D7/308
D. 231,502 4/1974 Allard ..... D7/308
D. 231,575 4/1974 Syverson .
D. 234,832 4/1975 Syverson ..... D7/305
D. 234,833 4/1975 Syverson ..... D7/305

- D. 236,391 8/1975 Audette .
D. 238,721 2/1976 Buffington .
D. 242,084 10/1976 Moreton ..... D7/311
D. 250,195 11/1978 Salmans ..... D7/311
D. 258,455 3/1981 Stafford ..... D20/4
D. 259,725 6/1981 Waserstrom ..... D7/308
D. 261,390 10/1981 Harvill ..... D7/307
D. 304,413 11/1989 Schechter et al. .... D7/397
3,235,898 5/1973 Smith ..... 222/129.4
4,487,333 12/1984 Pounder ..... 222/54
4,658,872 4/1987 Ellis ..... D7/308 X

OTHER PUBLICATIONS

Restaurants & Institutions, Jun. 1, 1982, pp. 62-70, Cornelius Co., SF-1 Valve Adv.—bottom right Dispenser.

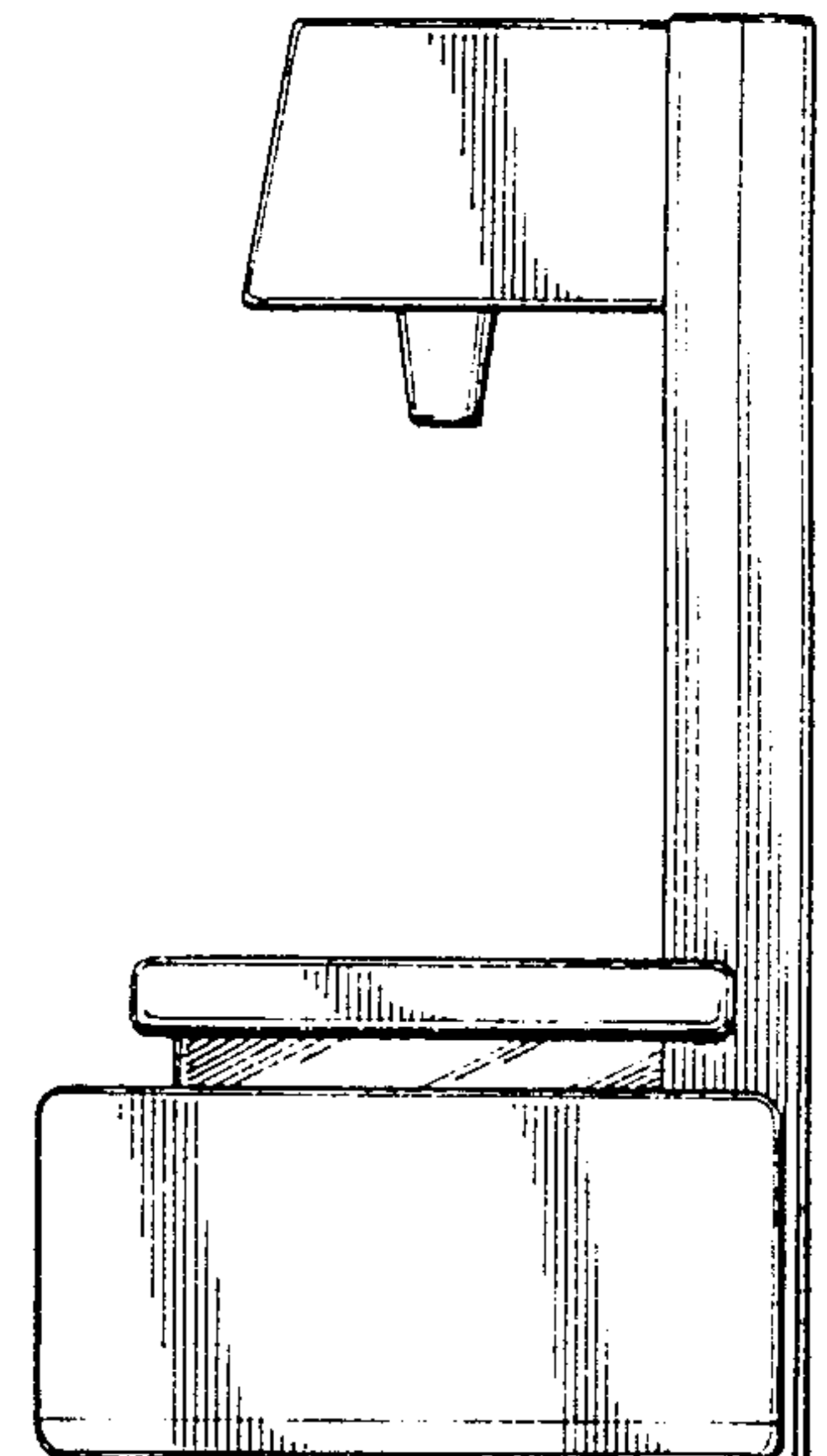
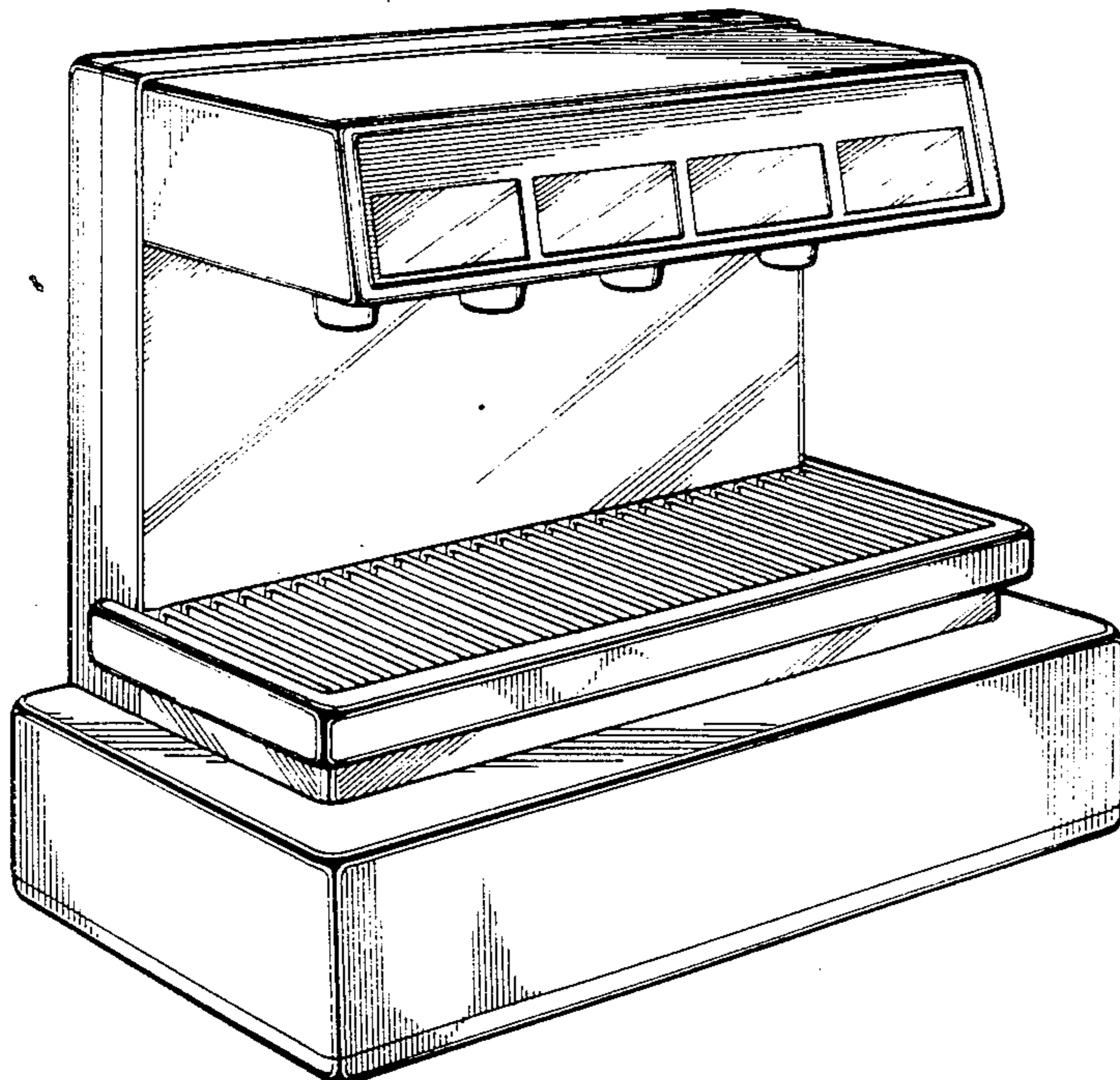
Primary Examiner—Winifred E. Herrmann
Attorney, Agent, or Firm—Thomas R. Boston; W. Dexter Brooks

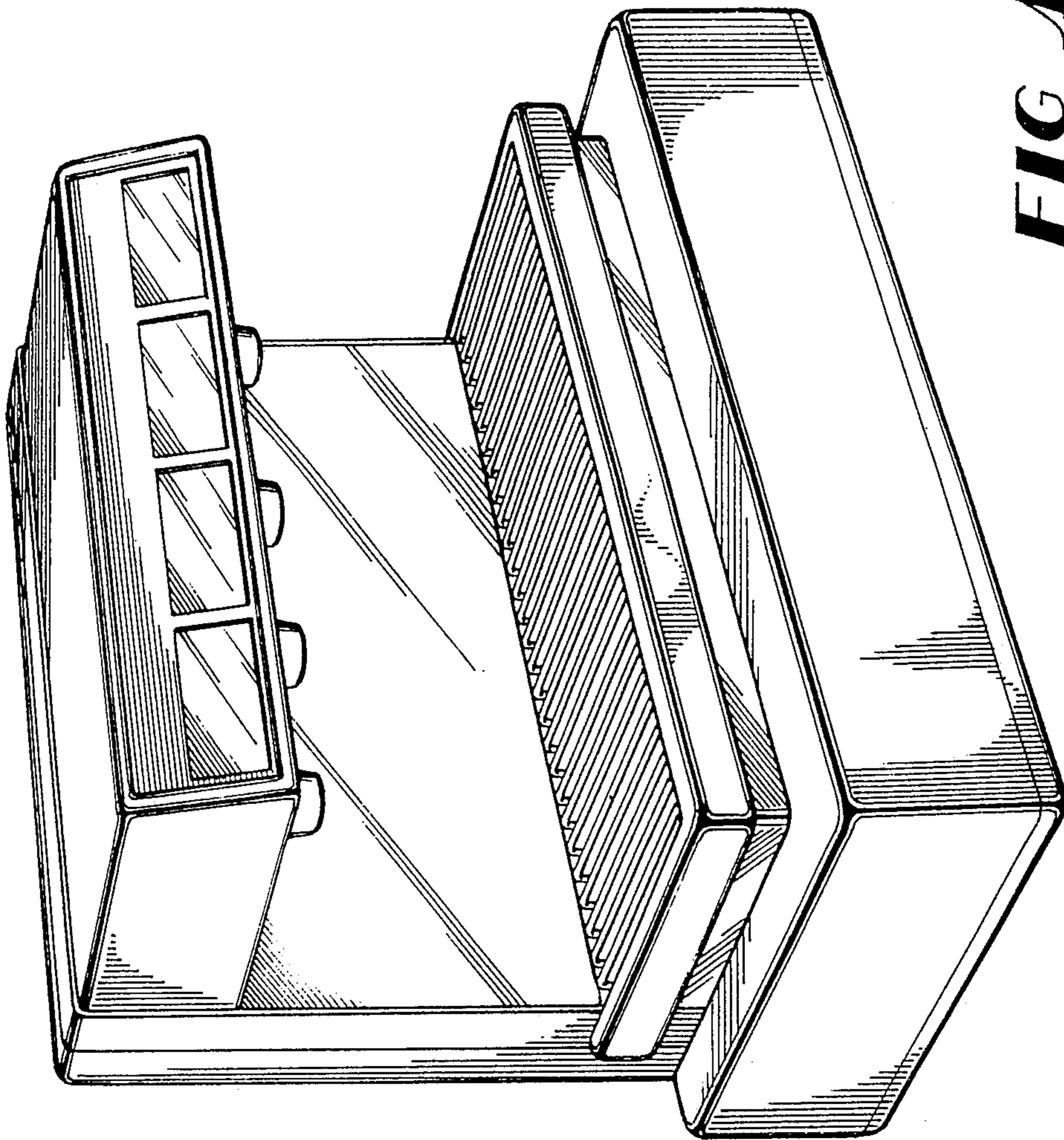
[57] CLAIM

The ornamental design for a beverage dispenser, as shown.

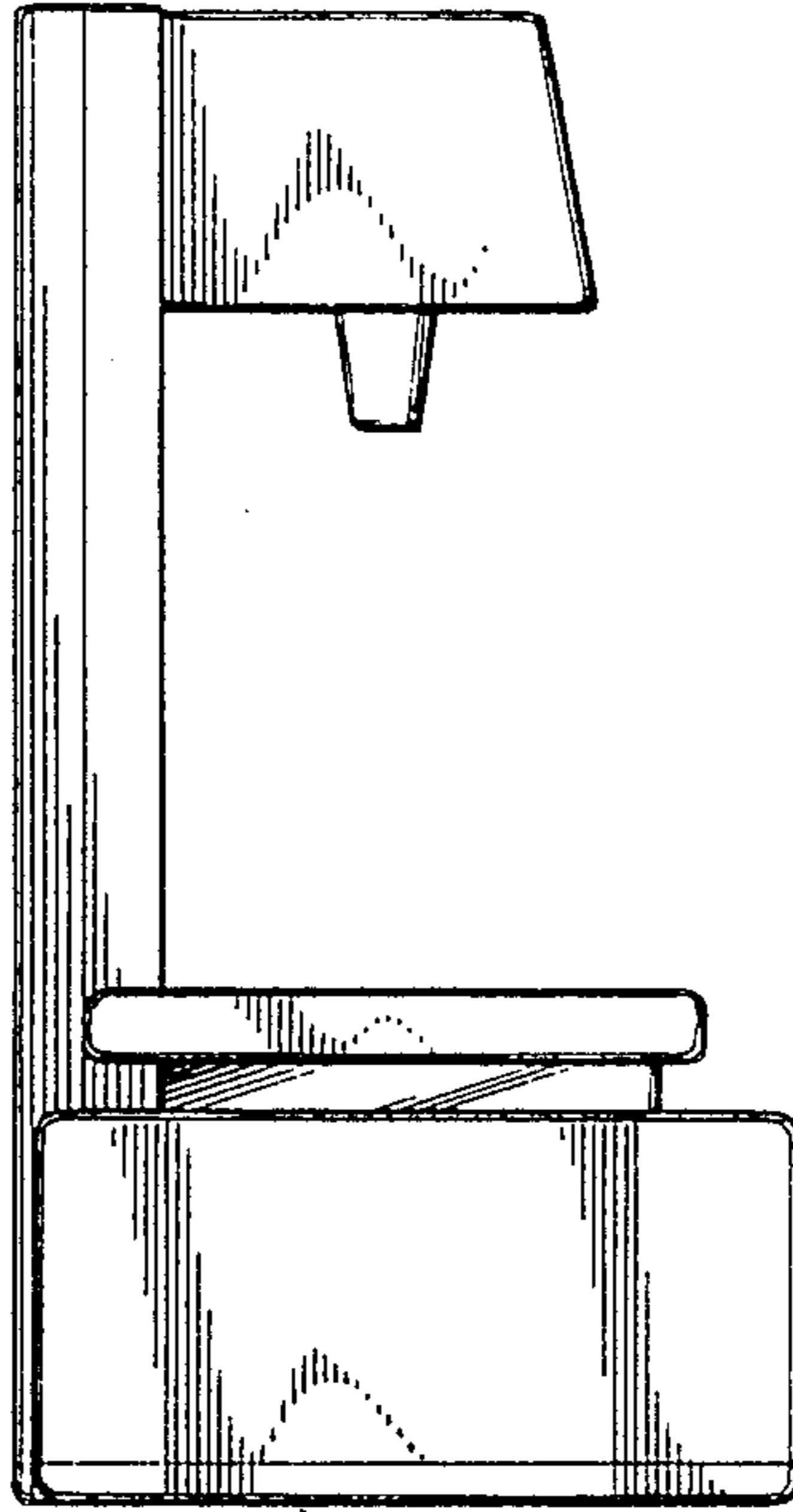
DESCRIPTION

FIG. 1 is a top, front and left side perspective view of a beverage dispenser showing our new design; FIG. 2 is a left side elevational view thereof; FIG. 3 is a right side elevational view thereof; FIG. 4 is a front elevational view thereof; FIG. 5 is a top plan view thereof; FIG. 6 is a rear elevational view thereof; and FIG. 7 is a bottom plan view thereof.

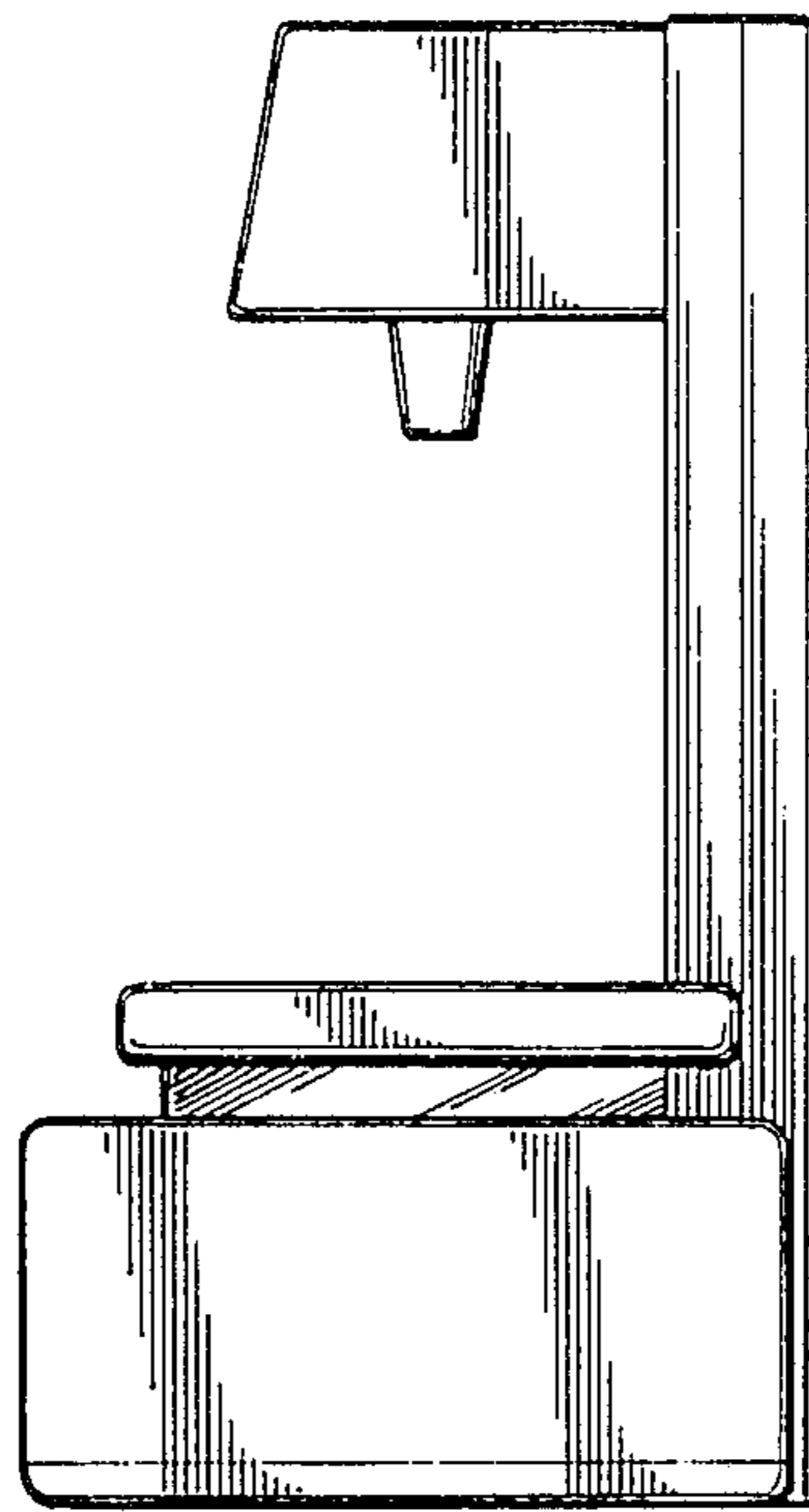




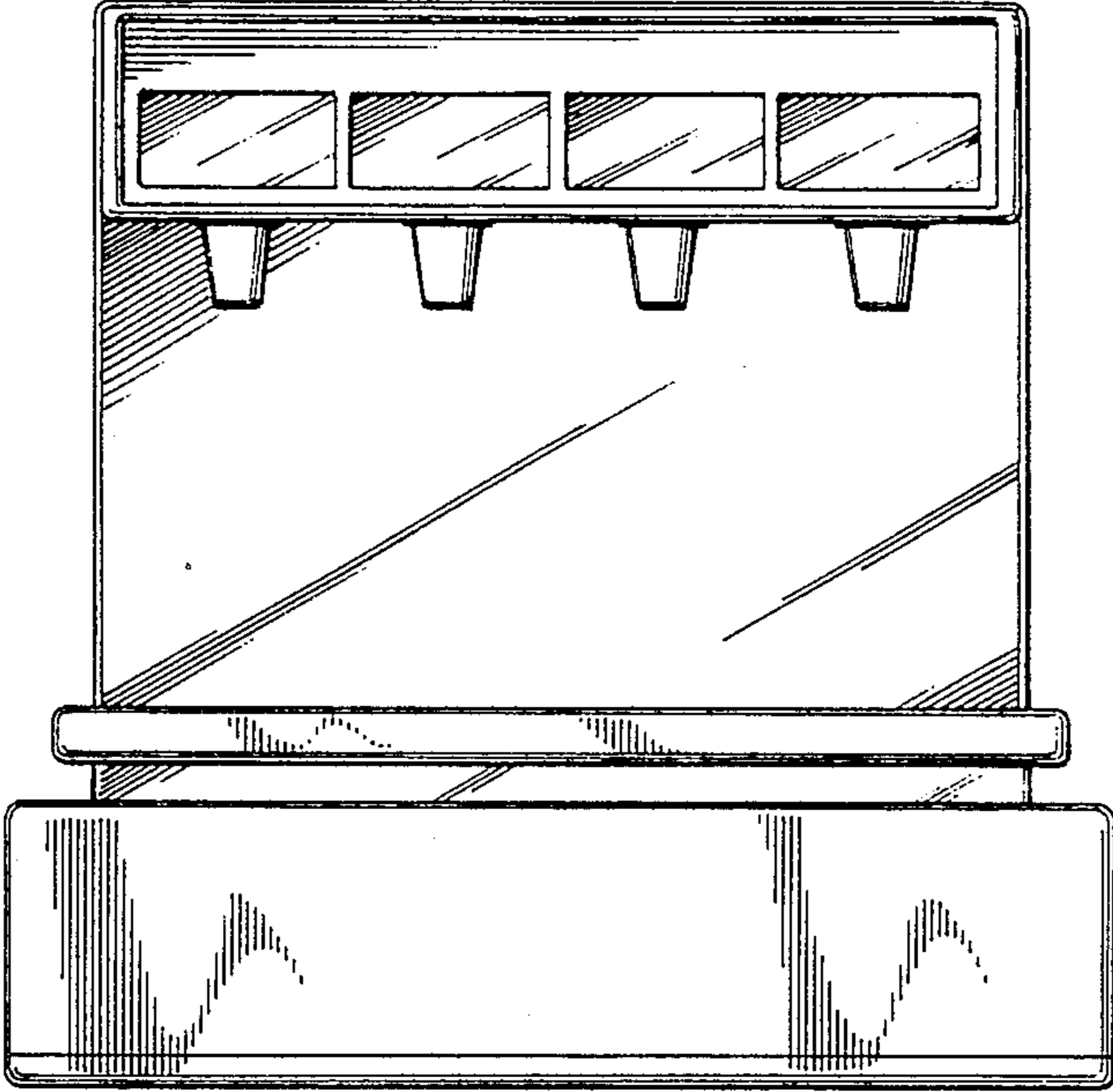
**FIG 1**



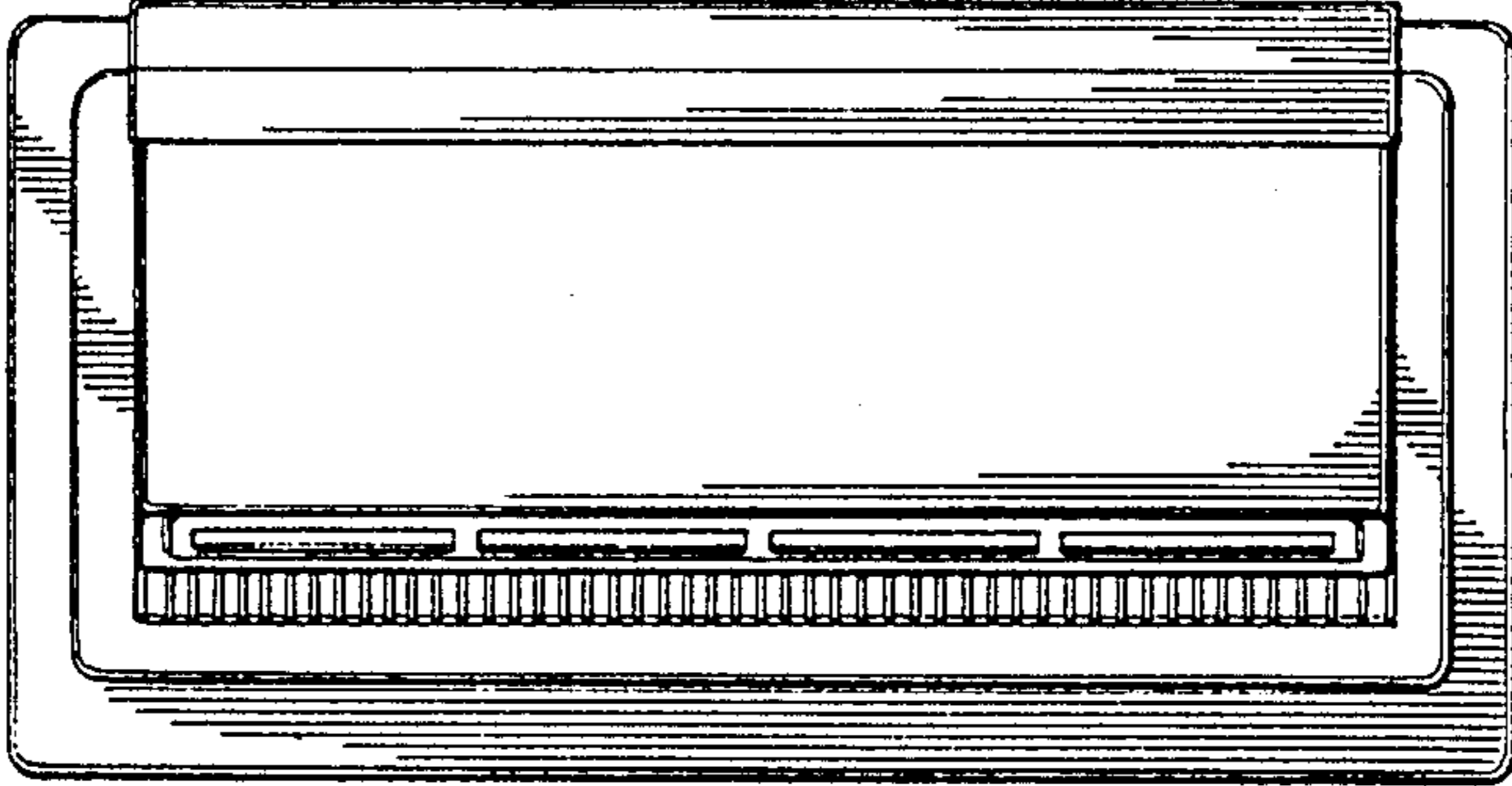
**FIG 2**



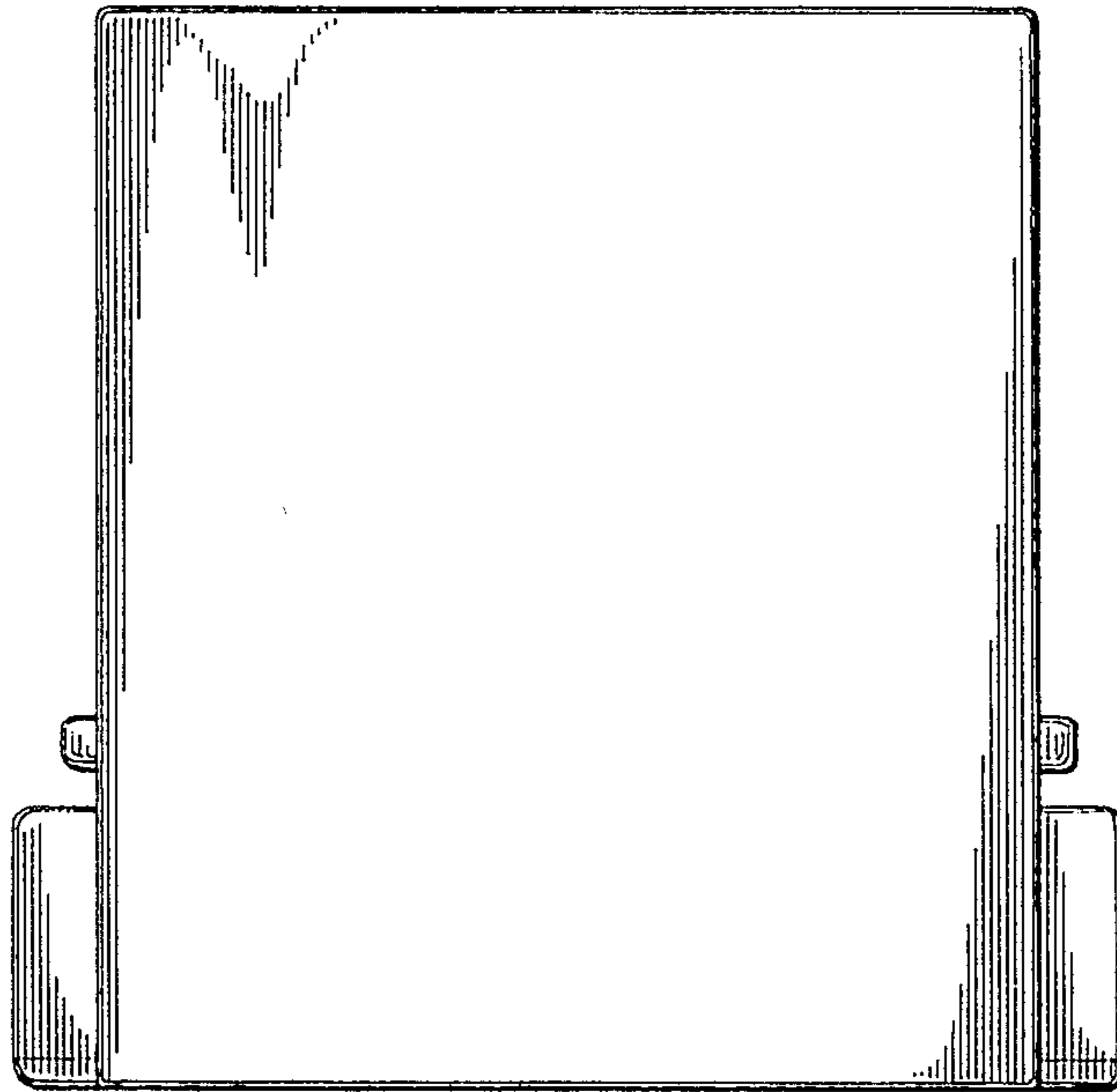
**FIG 3**



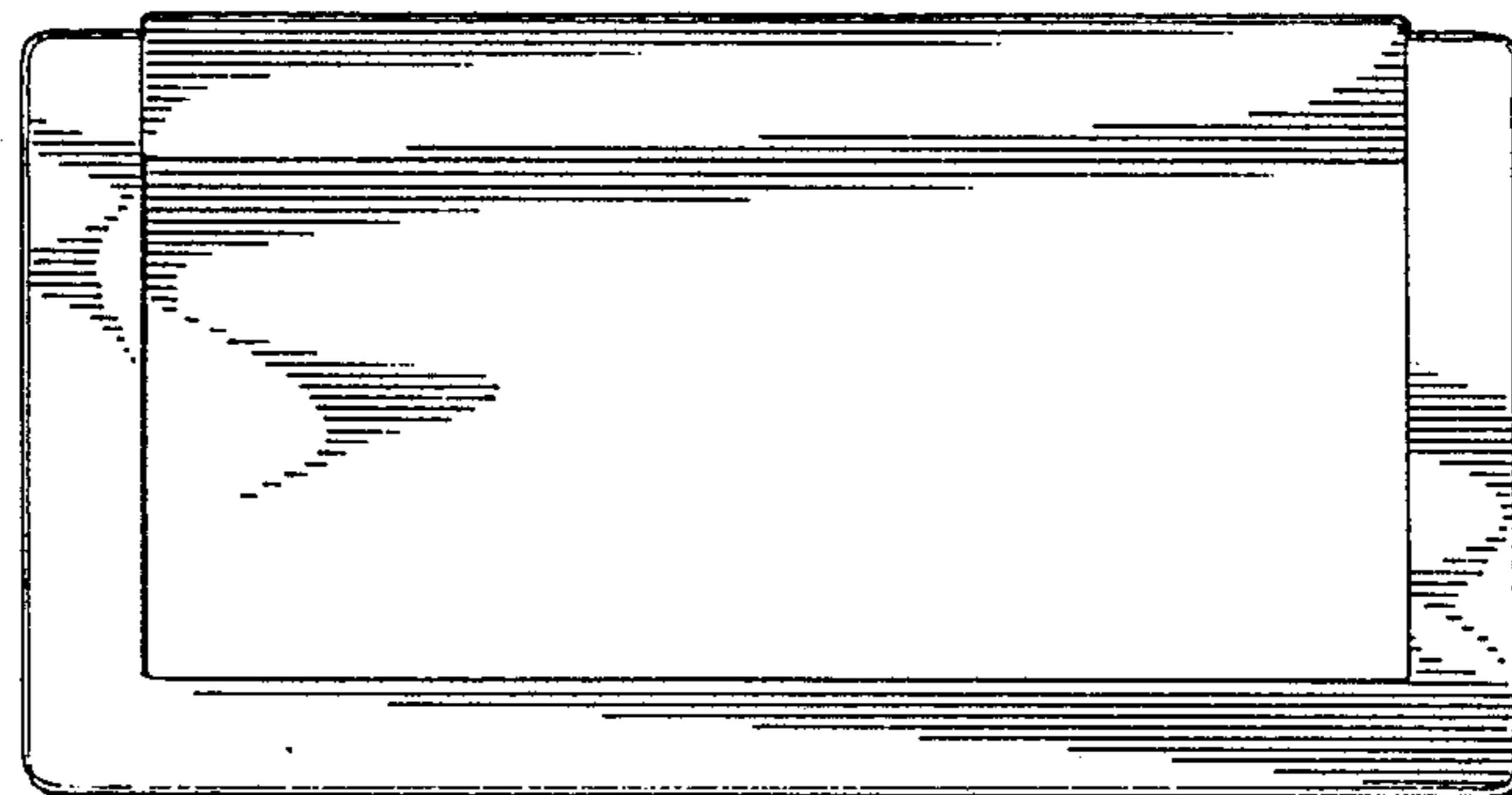
**FIG 4**



**FIG 5**



**FIG 6**



**FIG 7**