

[54] **TRANSPARENT CONDIMENT TRAY**
[75] **Inventor: J. Marshall Suttles, Elberton, Ga.**
[73] **Assignee: Royston Corporation, Royston, Ga.**
[**] **Term: 14 Years**
[21] **Appl. No.: 387,096**
[22] **Filed: Jul. 28, 1989**

Related U.S. Application Data

[62] Division of Ser. No. 871,766, Jun. 9, 1986.
[52] **U.S. Cl.** **D6/571; D6/476**
[58] **Field of Search** **D6/476, 571; 211/59.4,**
211/70.1; 312/117, 107; D7/596, 597

References Cited

U.S. PATENT DOCUMENTS

D. 158,776 5/1950 Malkin D6/476 X
D. 165,797 1/1952 Shanahan D6/476 X

D. 231,760 6/1974 Molzen D6/571
D. 270,798 10/1983 McDiarmid, III D6/476 X
D. 285,993 10/1986 Genna D6/476 X
2,982,423 5/1961 Handler et al. D6/571 X
4,261,294 4/1981 Bescherer D6/571 X

OTHER PUBLICATIONS

J.D. Acrylics catalog, Item bottom center, p. 25.

Primary Examiner—Bruce W. Dunkins
Assistant Examiner—Jeffrey Asch
Attorney, Agent, or Firm—Howson and Howson

CLAIM

[57] The ornamental design for a transparent condiment tray, as shown and described.

DESCRIPTION

FIG. 1 is a perspective view of a transparent condiment tray showing my new design;
FIG. 2 is a bottom plan view thereof; and
FIG. 3 is a rear elevational view thereof.

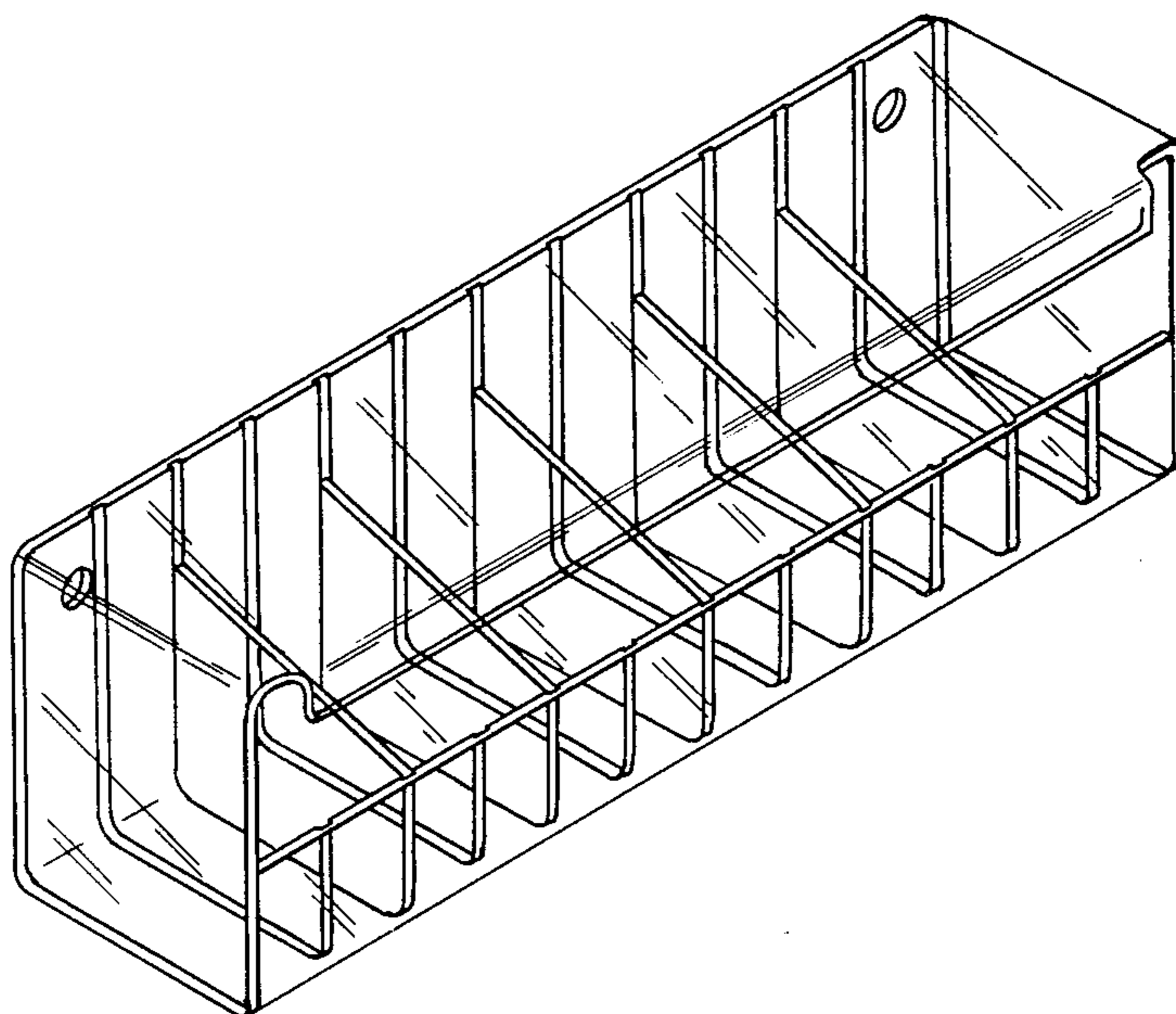


FIG. 1

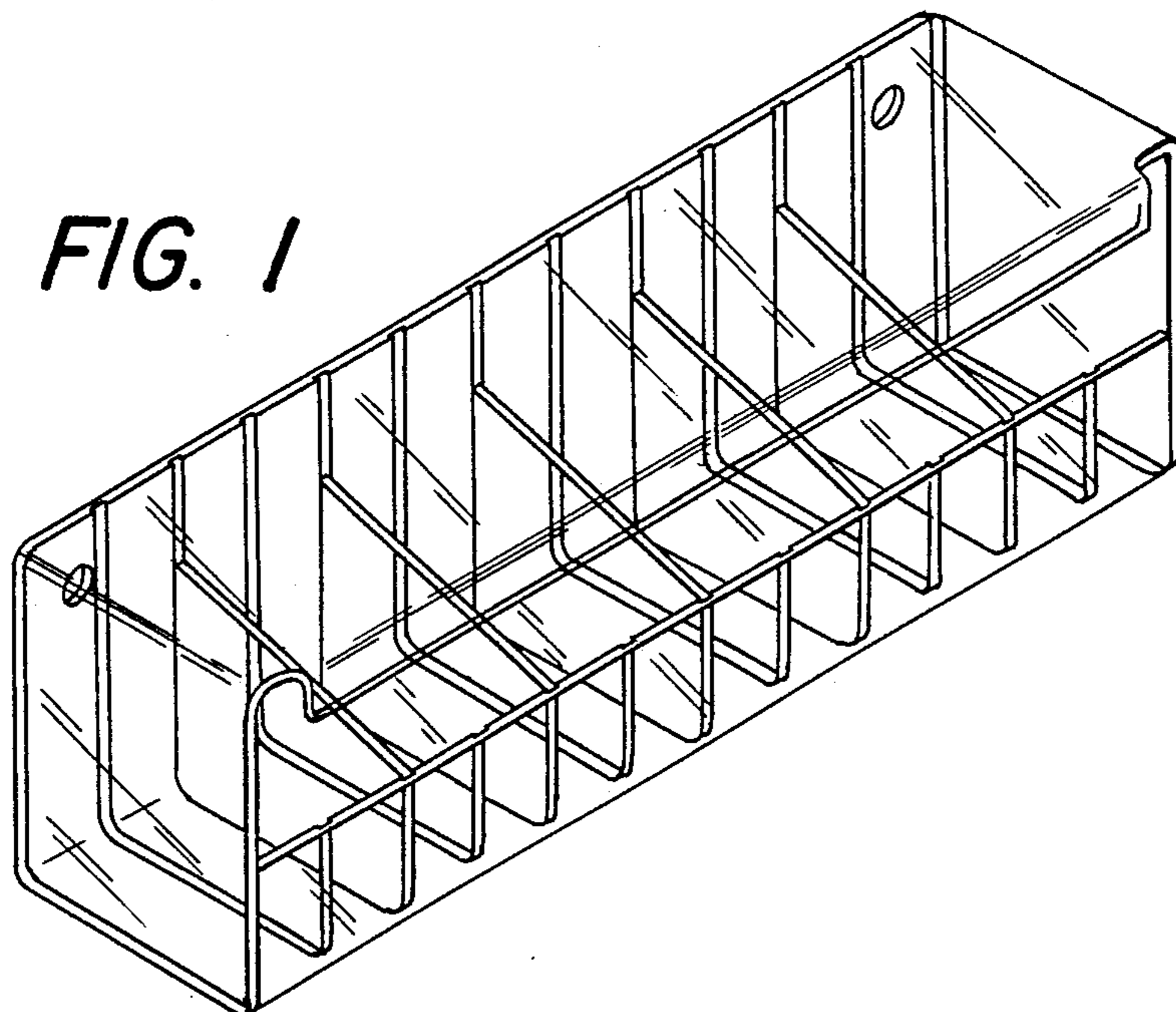


FIG. 2

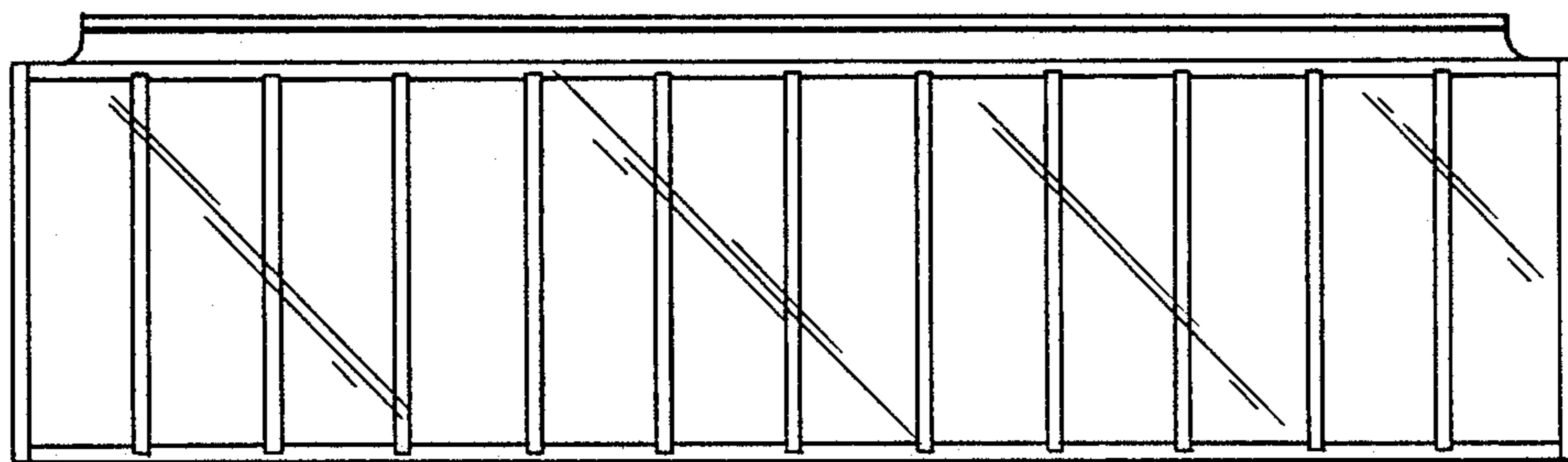


FIG. 3

