

[54] **PAPER ROLL DISPENSER**

[75] **Inventor: Robert H. Bamman, Norwalk, Conn.**

[73] **Assignee: Sun Land Realty Co., South Norwalk, Conn.**

[**] **Term: 14 Years**

[21] **Appl. No.: 10,120**

[22] **Filed: Feb. 2, 1987**

[52] **U.S. Cl. D6/518**

[58] **Field of Search D6/512, 515, 518, 522-523; 206/389; 211/13, 16, 45, 164, 182; 242/55.2, 56 R; 312/37-38**

[56] **References Cited**

U.S. PATENT DOCUMENTS

D. 298,395	11/1988	Calavito	D6/518
823,120	6/1906	Helmeke	D6/518 X
3,516,615	6/1970	Wickenberg	242/55.2

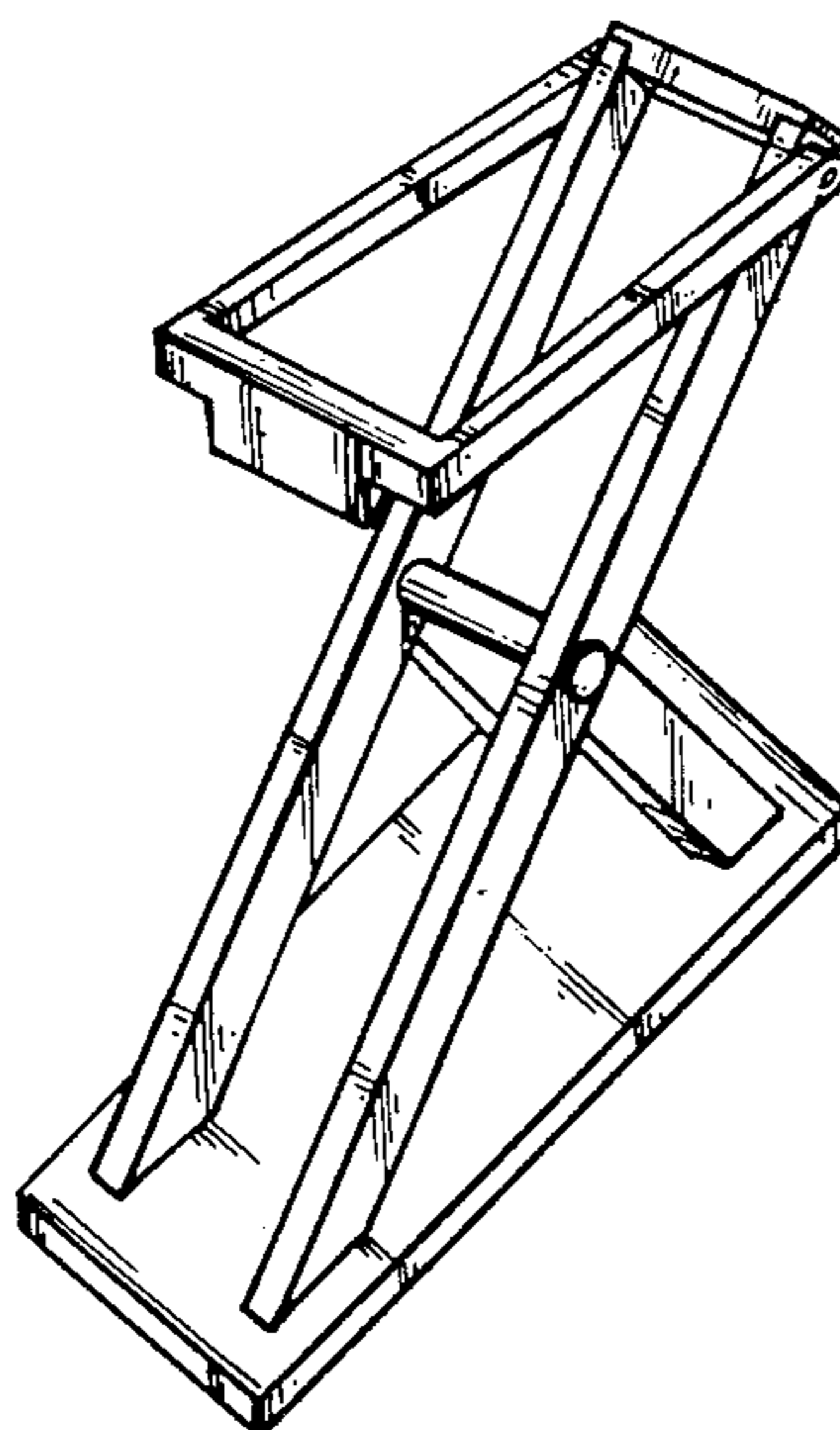
Primary Examiner—Wallace R. Burke
Assistant Examiner—Brian N. Vinson
Attorney, Agent, or Firm—Ralph D'Alessandro

[57] **CLAIM**

The ornamental design for a paper roll dispenser, as shown and described.

DESCRIPTION

FIG 1 is a perspective view of a paper roll dispenser showing my new design;
FIG. 2 is an enlarged top plan view thereof;
FIG. 3 is an enlarged bottom plan view thereof;
FIG 4 is an enlarged rear elevational view thereof;
FIG. 5 is an enlarged front elevational view thereof;
FIG. 6 is an enlarged left side elevational view thereof, the broken-line showing of the paper roll being for illustrative purposes only and forming no part of the claimed design; and
FIG. 7 is an enlarged right side elevational view thereof.



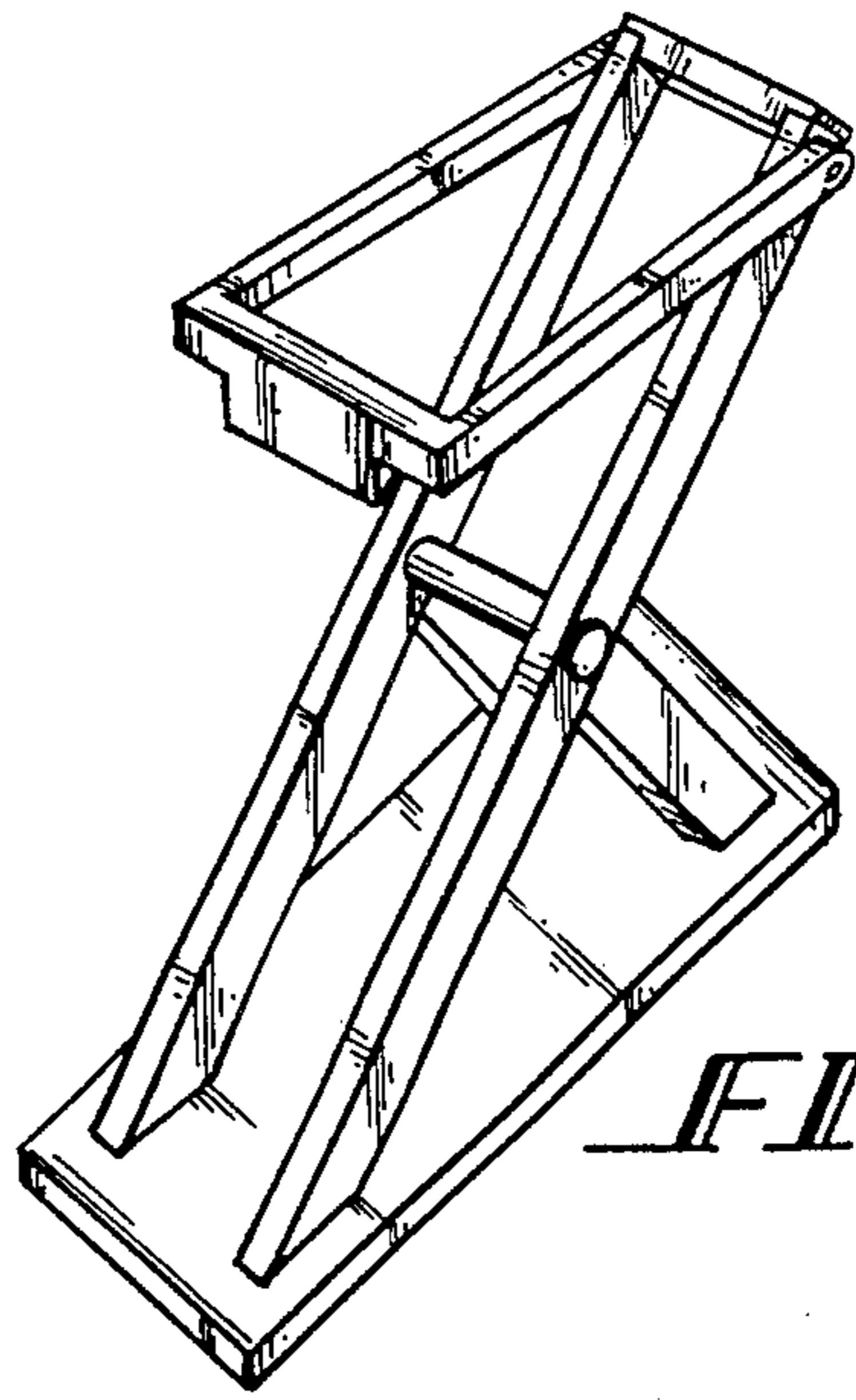


FIG-1

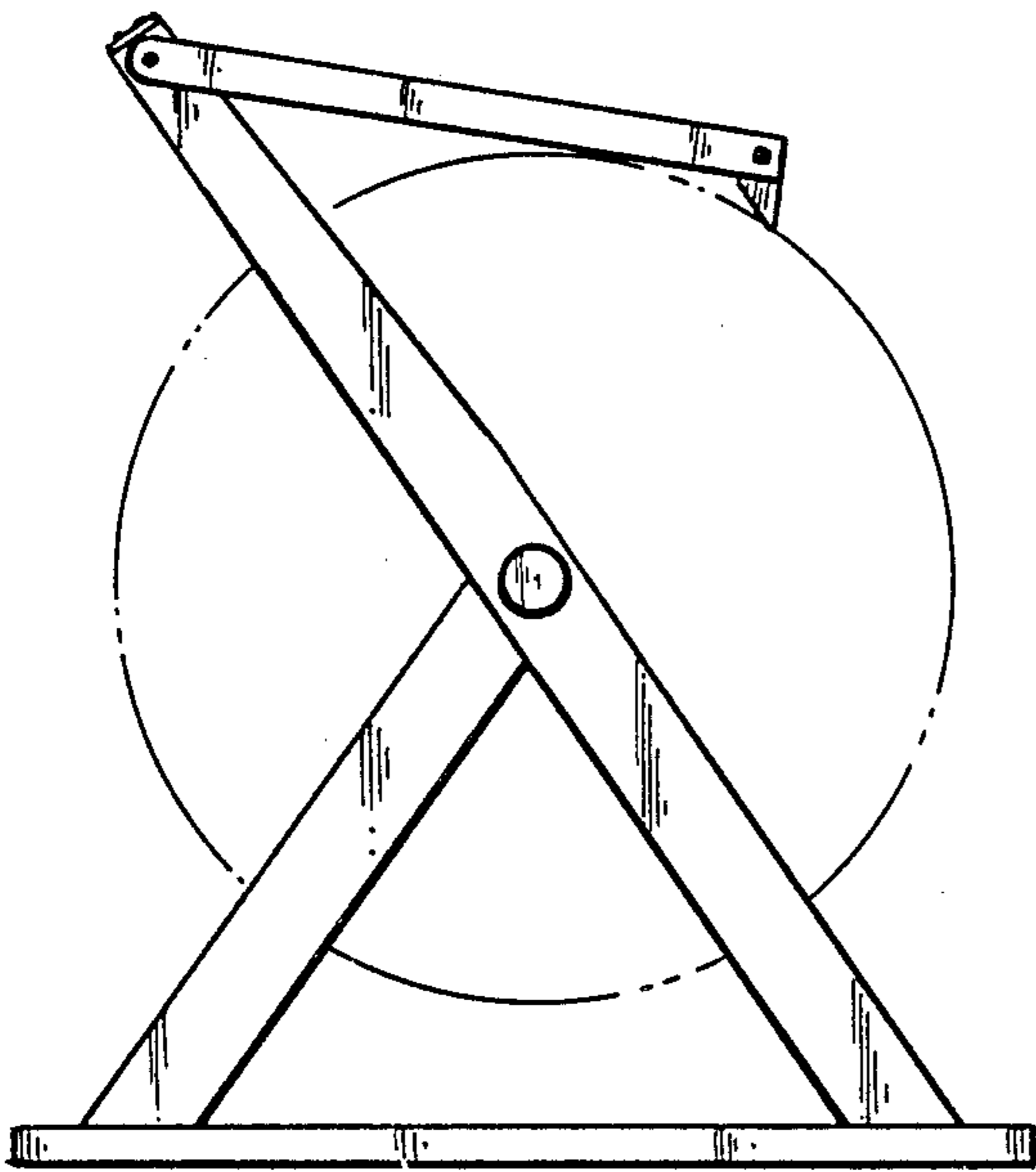


FIG-6

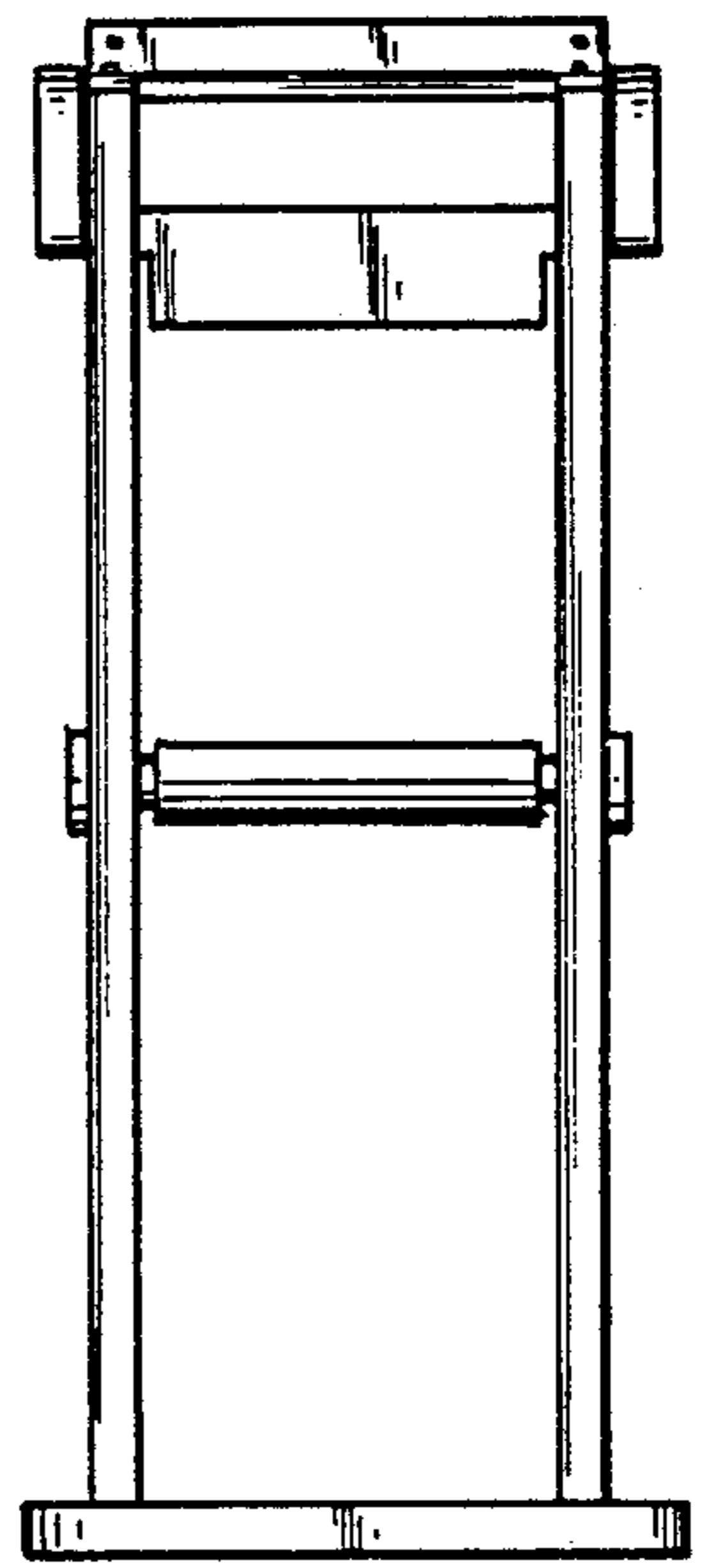


FIG-4

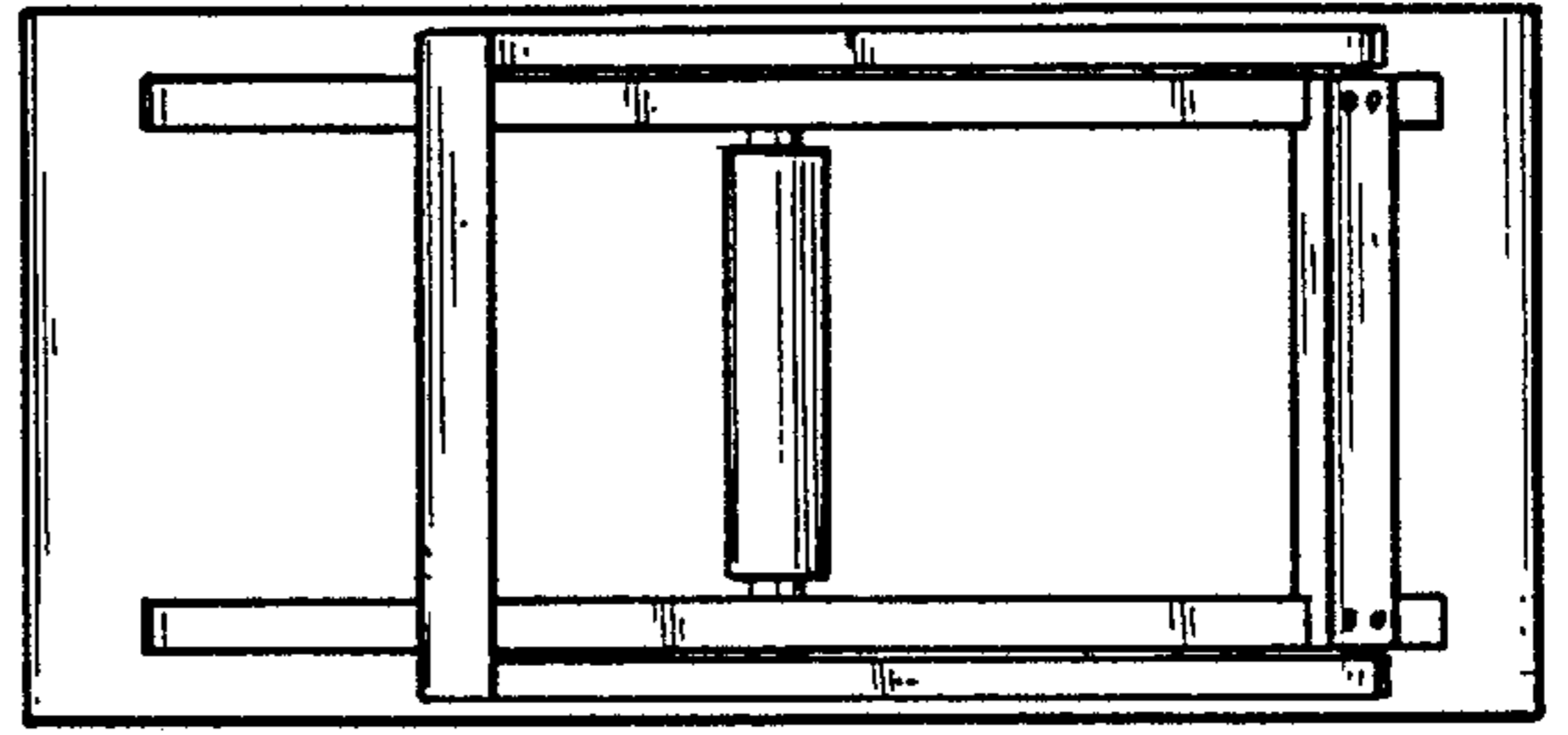


FIG-2

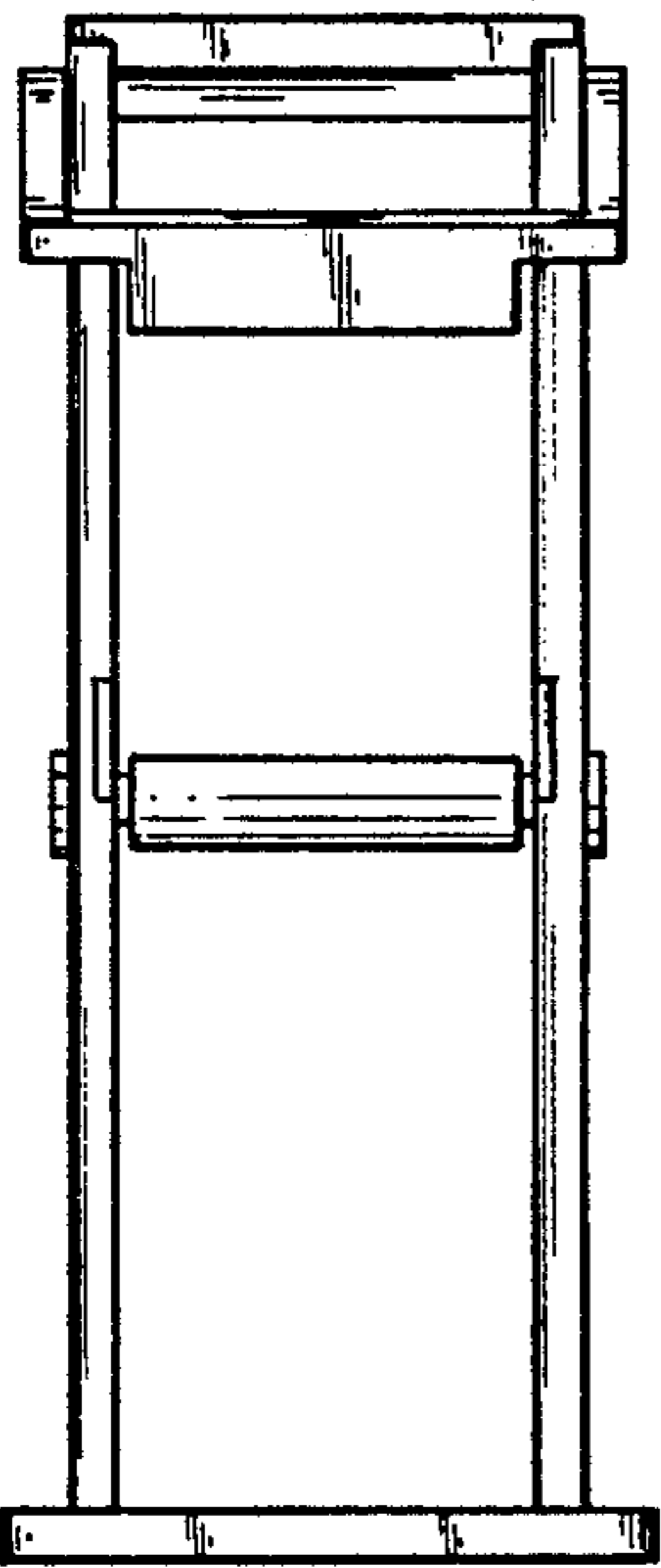


FIG-5

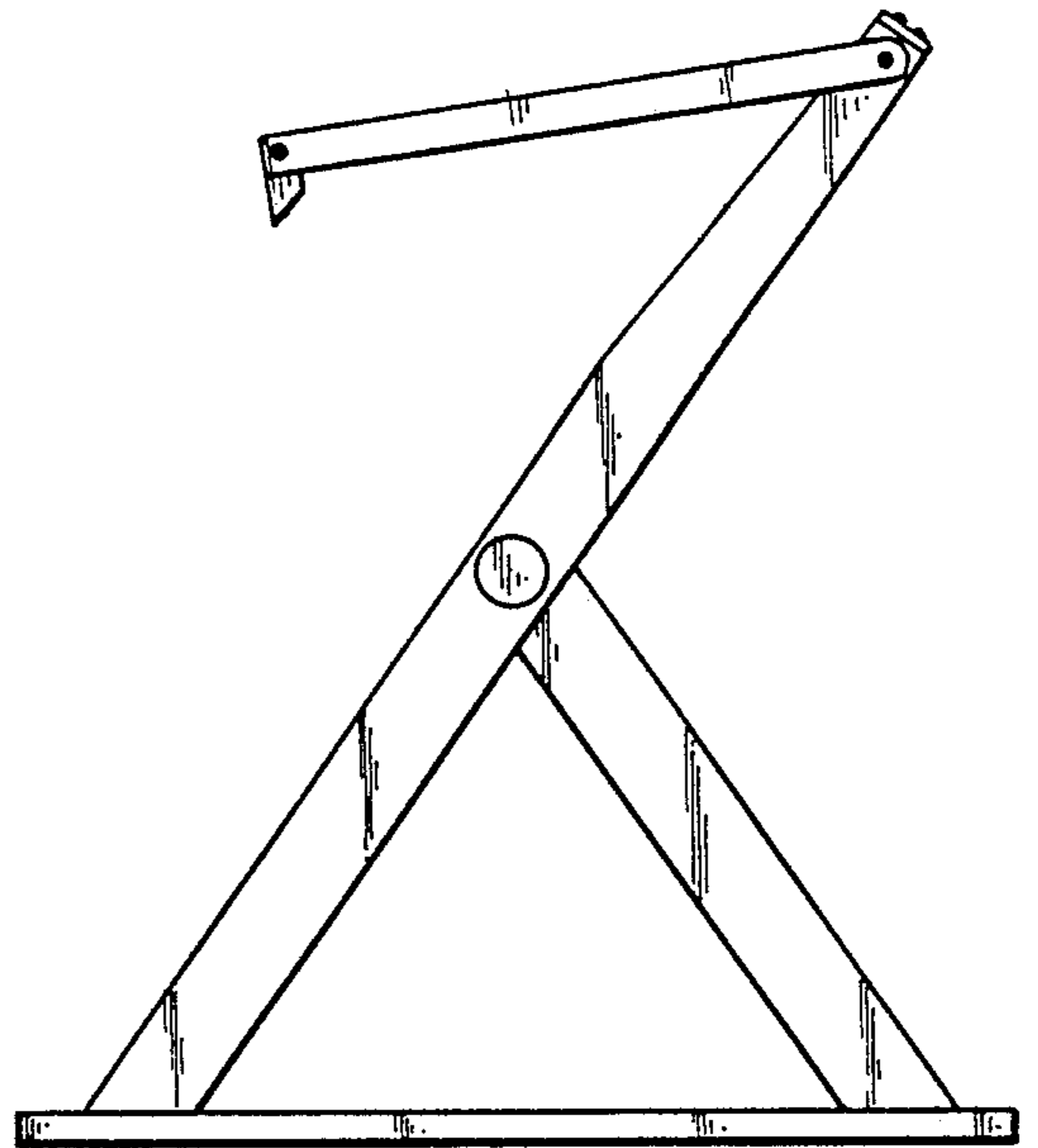


FIG-7

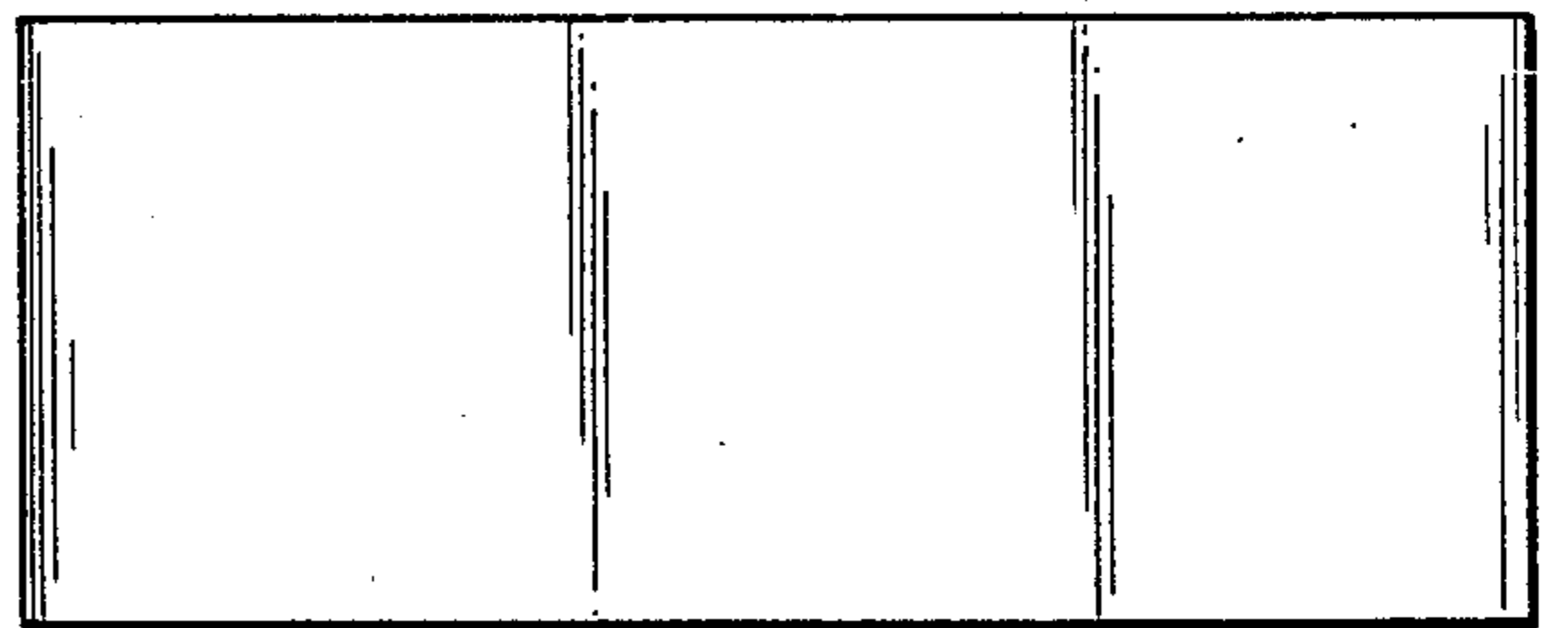


FIG-3