

[54] WORK TABLE OR THE LIKE

[75] Inventor: Thomas J. Newhouse, Grand Rapids, Mich.

[73] Assignee: Herman Miller, Inc., Zeeland, Mich.

[**] Term: 14 Years

[21] Appl. No.: 57,830

[22] Filed: Jun. 2, 1987

[52] U.S. Cl. D6/484; D6/422; D6/429; D6/480

[58] Field of Search D6/424, 425, 422, 480, D6/484; 312/195, 196

[56] References Cited

U.S. PATENT DOCUMENTS

- D. 202,196 9/1965 Beckman D6/424
- D. 202,197 9/1965 Beckman D6/425
- D. 208,709 9/1967 Barecki D6/422 X
- D. 239,350 3/1976 Vogt .
- D. 281,299 11/1985 Esslinger .
- 3,635,174 1/1972 Ball et al. .
- 3,786,765 1/1974 Burr .
- 4,126,230 11/1978 Tyson et al. .
- 4,287,837 9/1981 Bayles 312/195 X
- 4,296,981 10/1981 Hildebrandt et al. .
- 4,323,291 4/1982 Ball .
- 4,555,150 11/1985 Turnball .
- 4,618,192 10/1986 Kelley .

FOREIGN PATENT DOCUMENTS

- 2160221 6/1973 Fed. Rep. of Germany 312/196

OTHER PUBLICATIONS

Interiors 12-1972, p. 22; "Linder's Consultant's Desk Item C", center right of page.

Primary Examiner—Bruce W. Dunkins

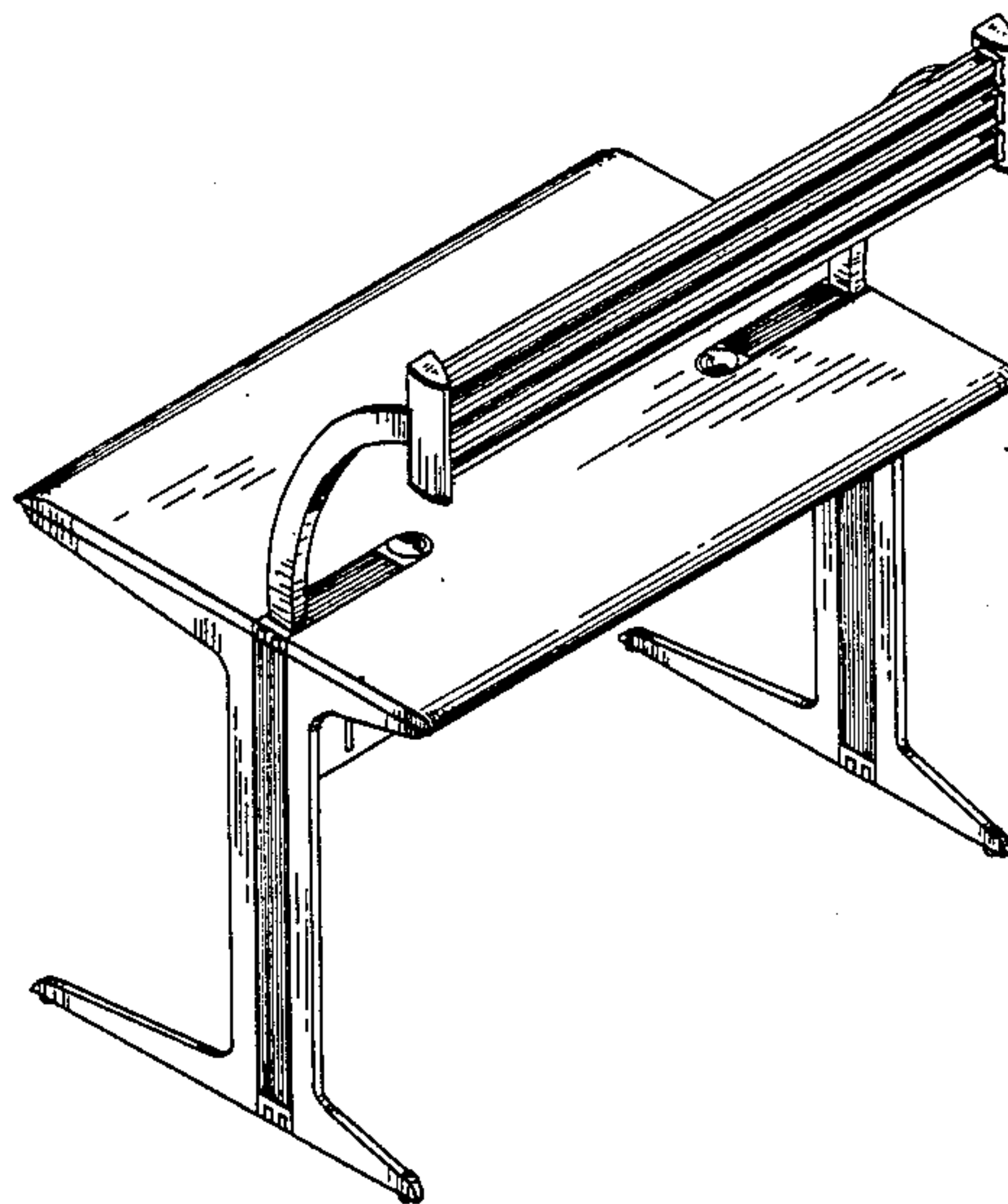
Assistant Examiner—Jeffrey Asch
Attorney, Agent, or Firm—Varnum, Riddering, Schmidt & Howlett

[57] CLAIM

The ornamental design for a work table or the like, as shown and described.

DESCRIPTION

FIG. 1 is a perspective view of a work table or the like showing my new design;
 FIG. 2 is a rear elevational view thereof;
 FIG. 3 is a front perspective view thereof;
 FIG. 4 is a left side elevational view, the right side being a mirror image thereof;
 FIG. 5 is a top plan view thereof;
 FIG. 6 is a perspective view of a second embodiment of the work table or the like shown in FIG. 1, the opposite side being a mirror image thereof;
 FIG. 7 is a rear perspective view of a third embodiment of the work table or the like shown in FIG. 1, the opposite side being a mirror image thereof;
 FIG. 8 is a front perspective view thereof;
 FIG. 9 is a rear perspective view of a fourth embodiment of the work table or the like shown in FIG. 1;
 FIG. 10 is a front perspective view thereof, in an alternate position for use;
 FIG. 11 is a left side elevational view in an alternate position for use, the right side being a mirror image thereof;
 FIG. 12 is a top plan view thereof;
 FIG. 13 is a perspective view of a fifth embodiment of the work table or the like shown in FIG. 1;
 FIG. 14 is a right side elevational view, the left side elevational view being a mirror image thereof;
 FIG. 15 is a perspective view of a sixth embodiment of the work table or the like shown in FIG. 1; and
 FIG. 16 is a right side elevational view, the left side being a mirror image thereof.



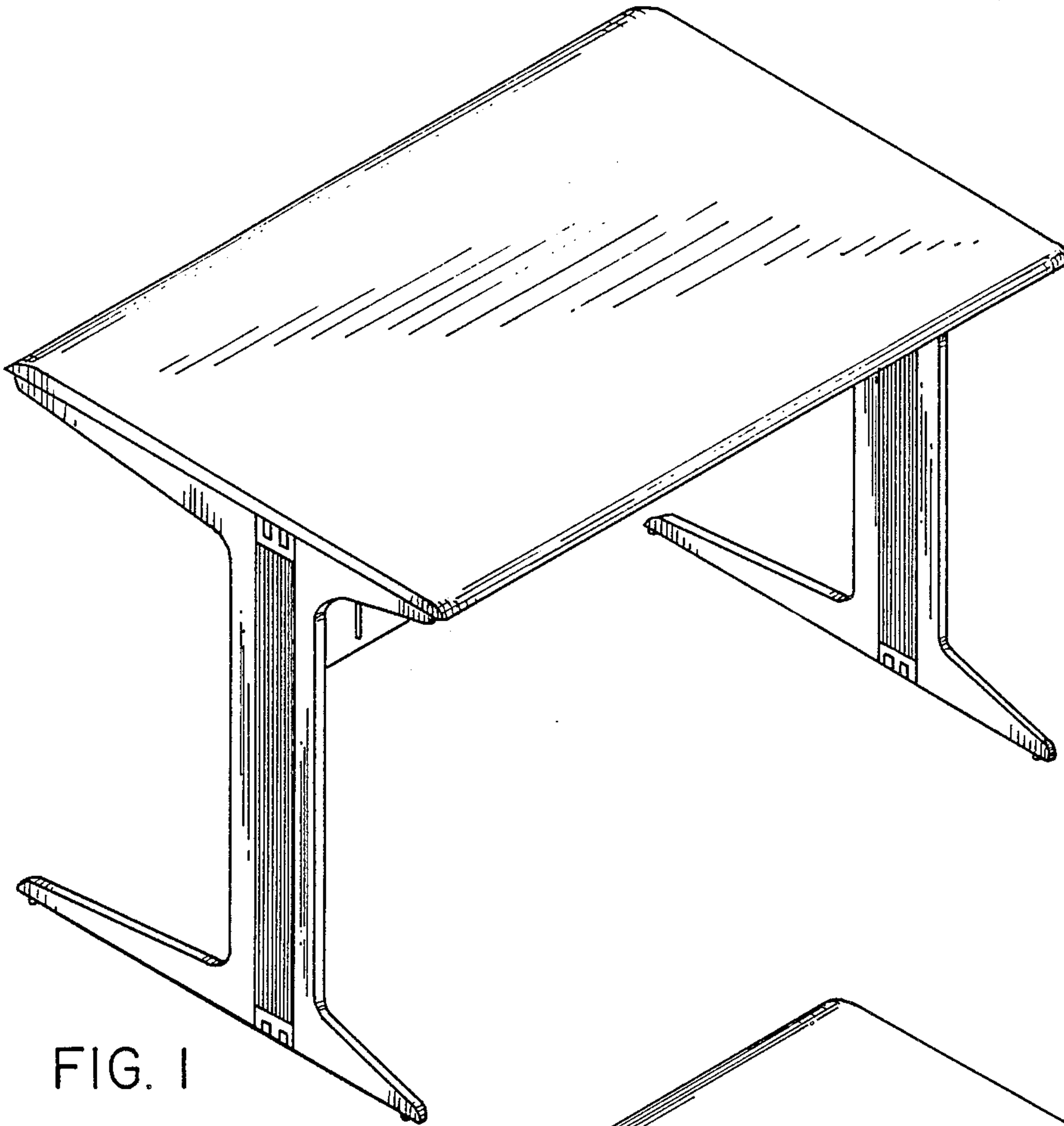


FIG. 1

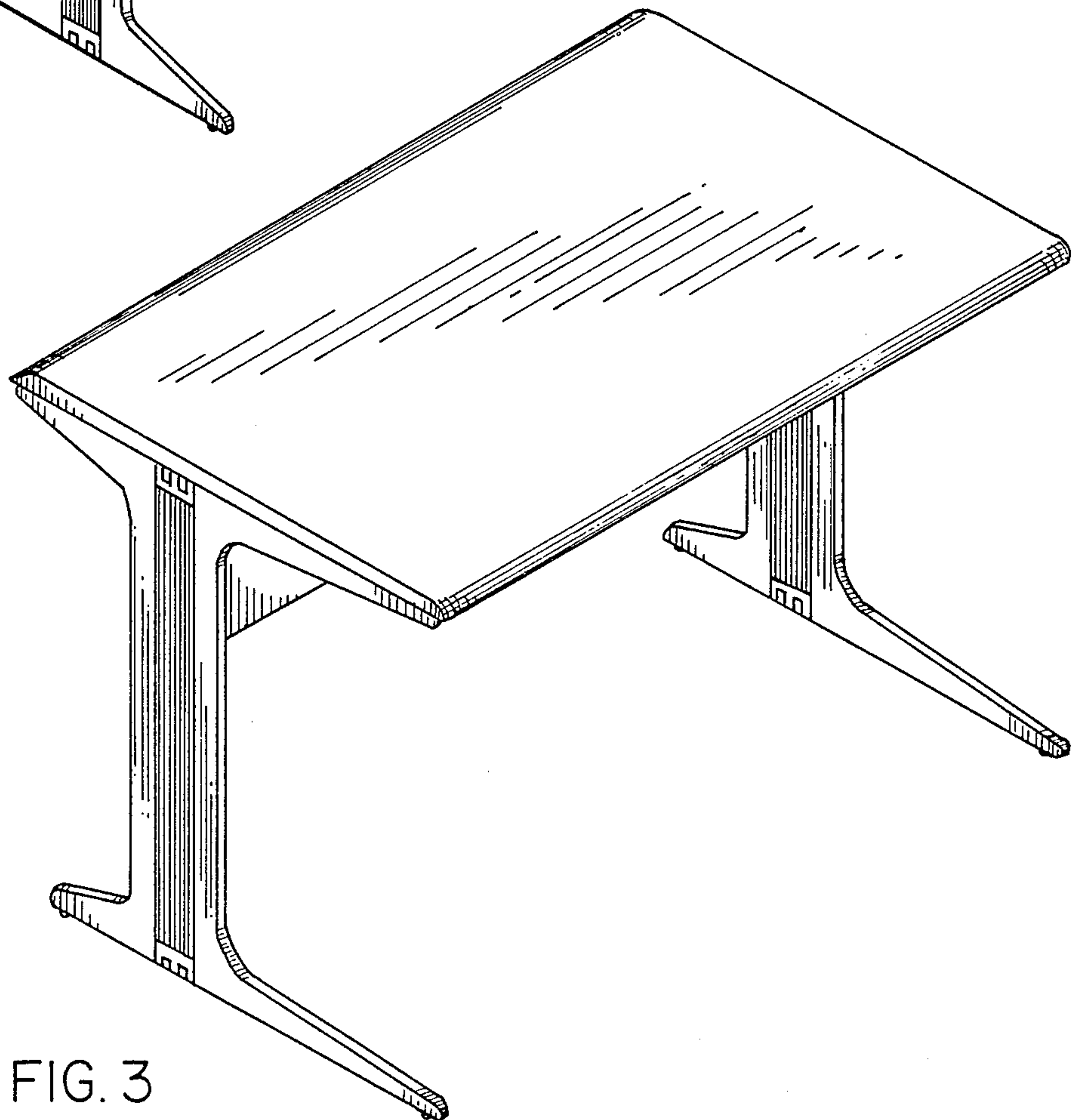


FIG. 3

FIG. 2

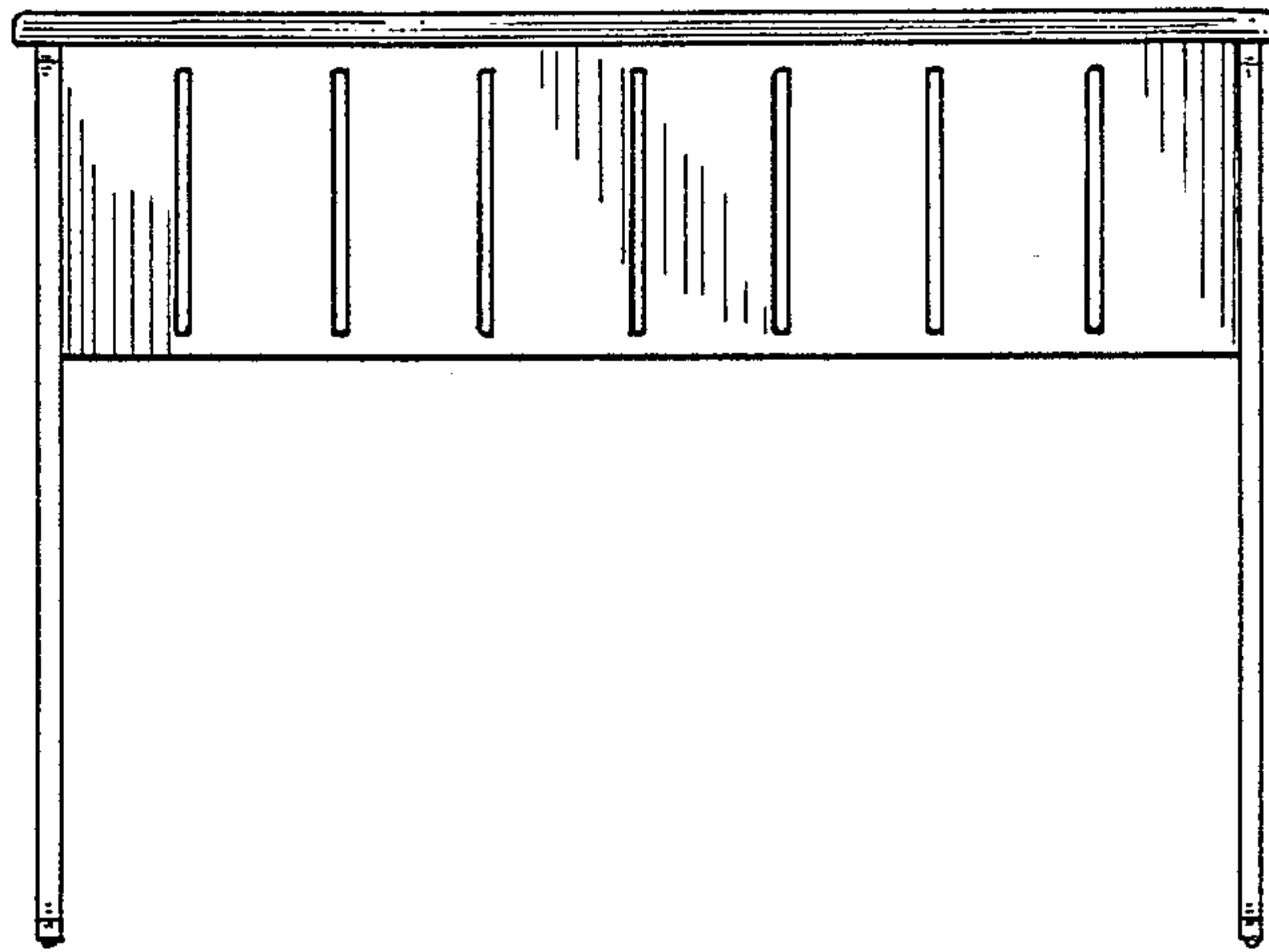


FIG. 4

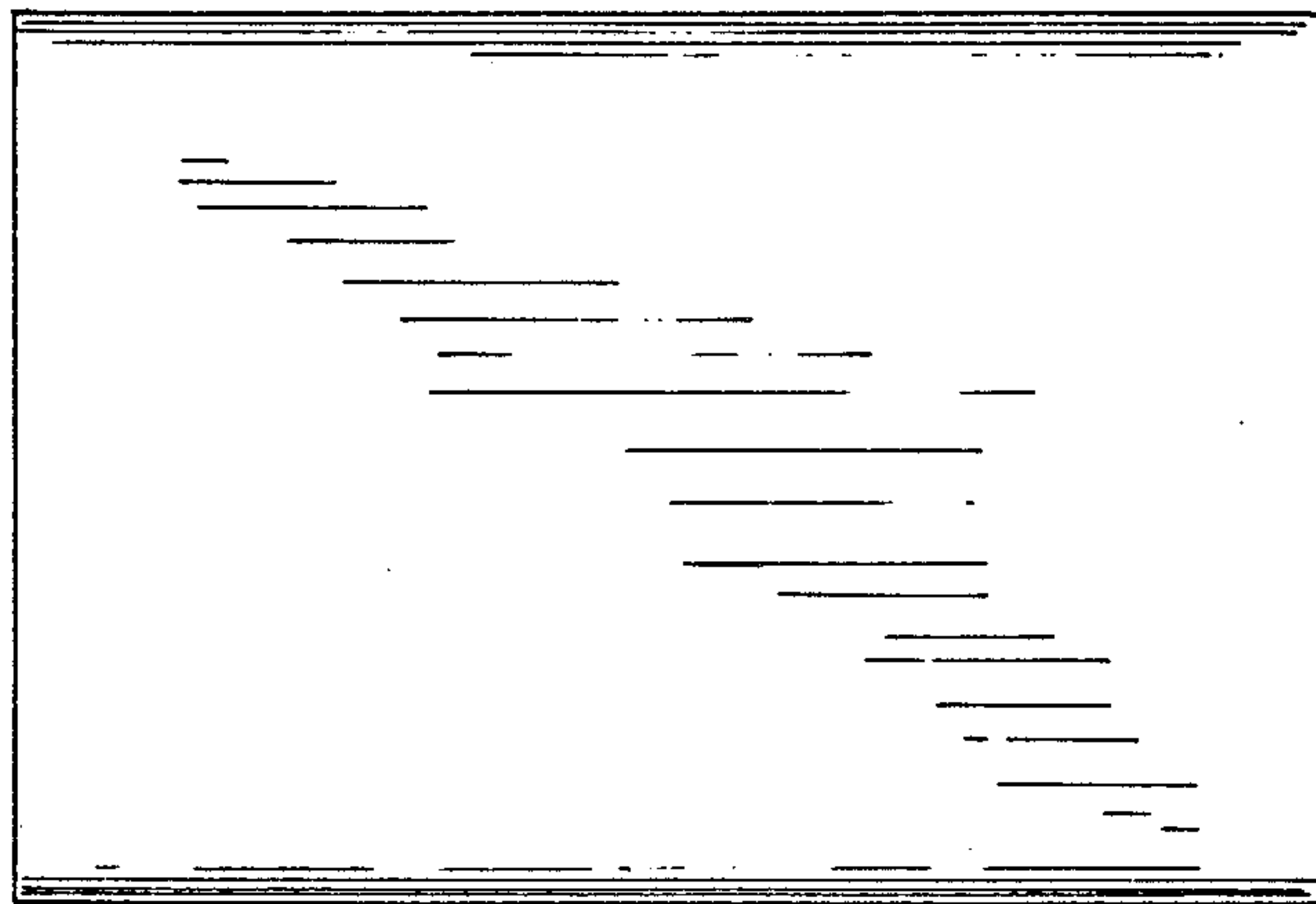
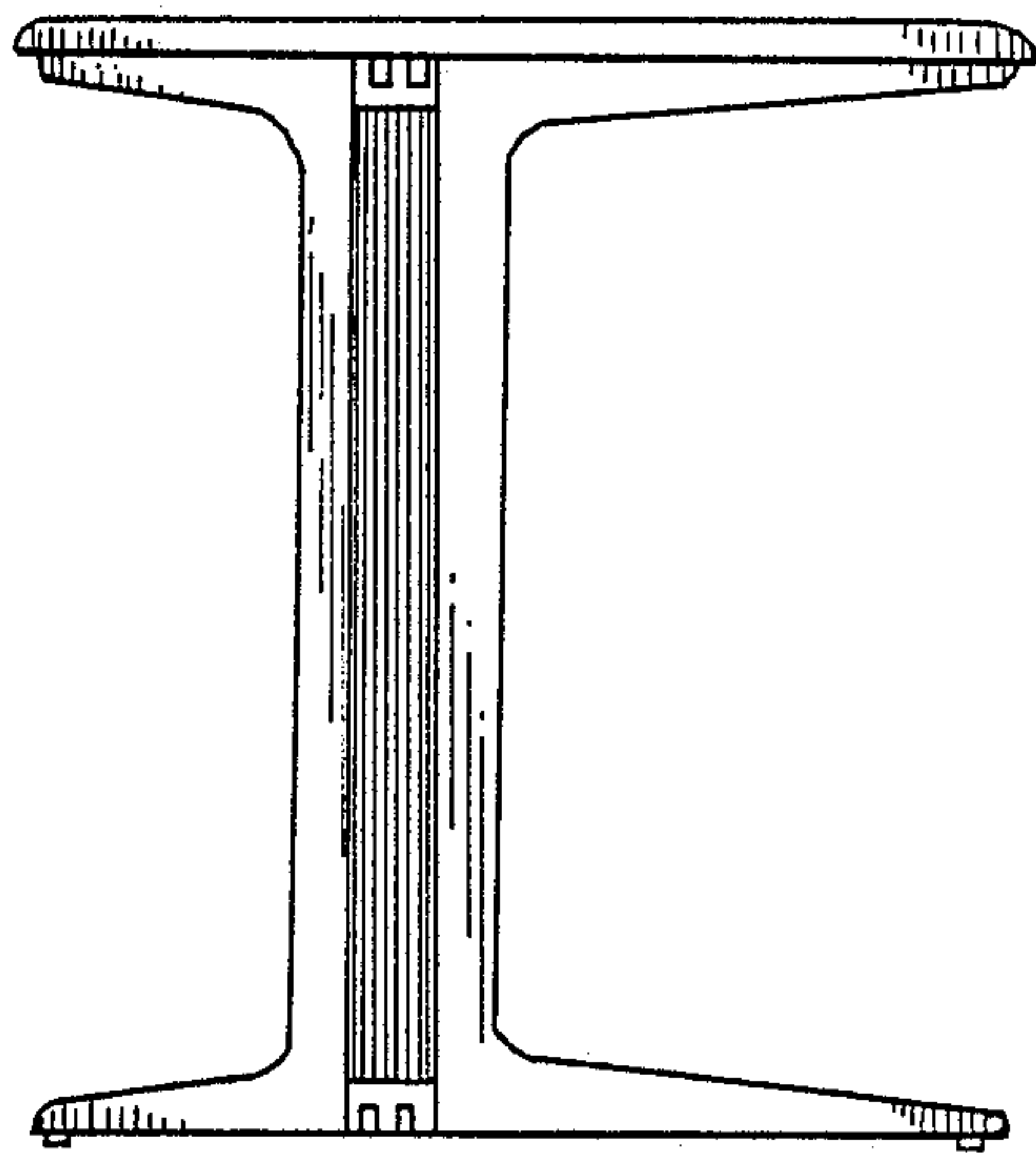


FIG. 5

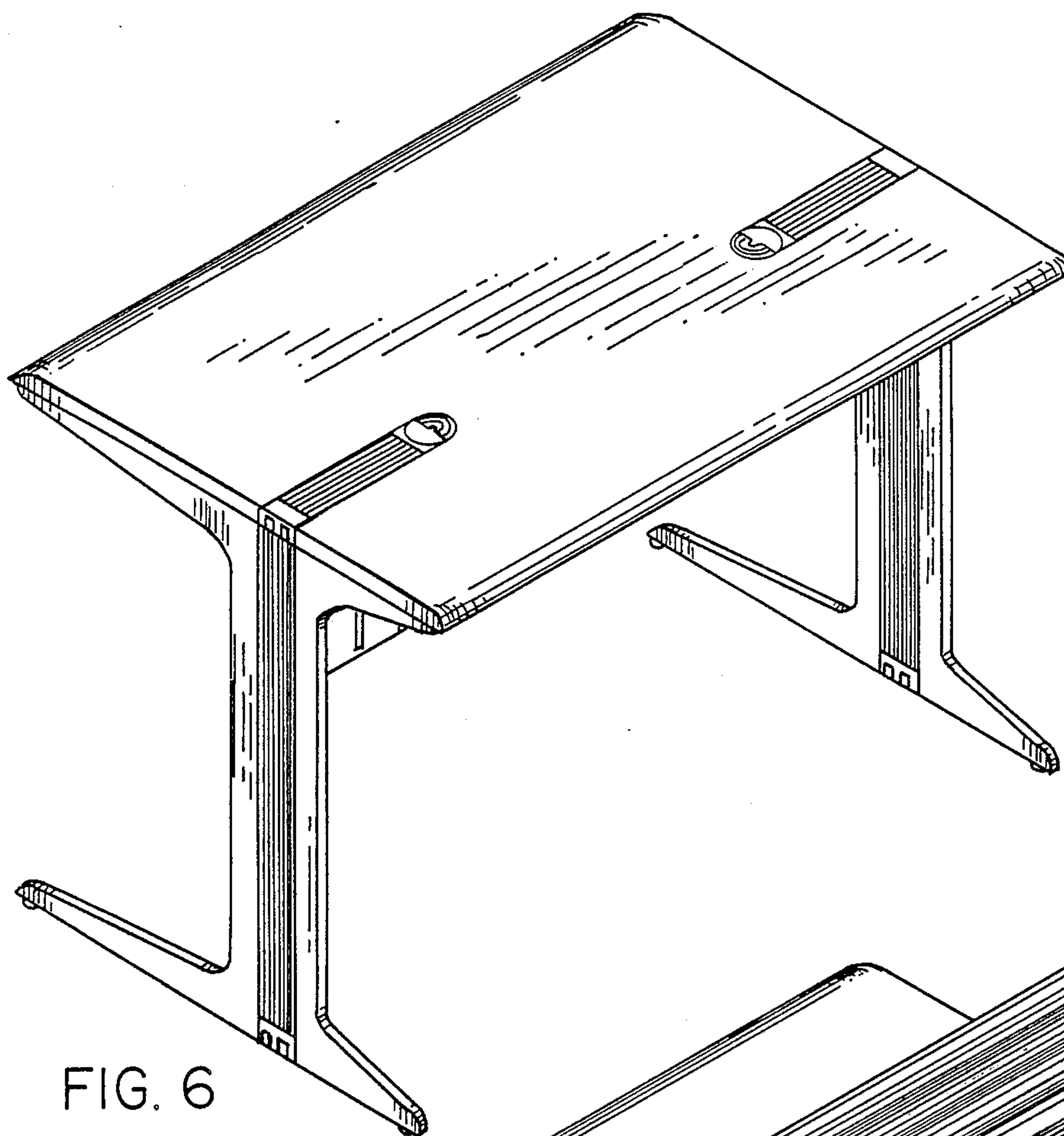


FIG. 6

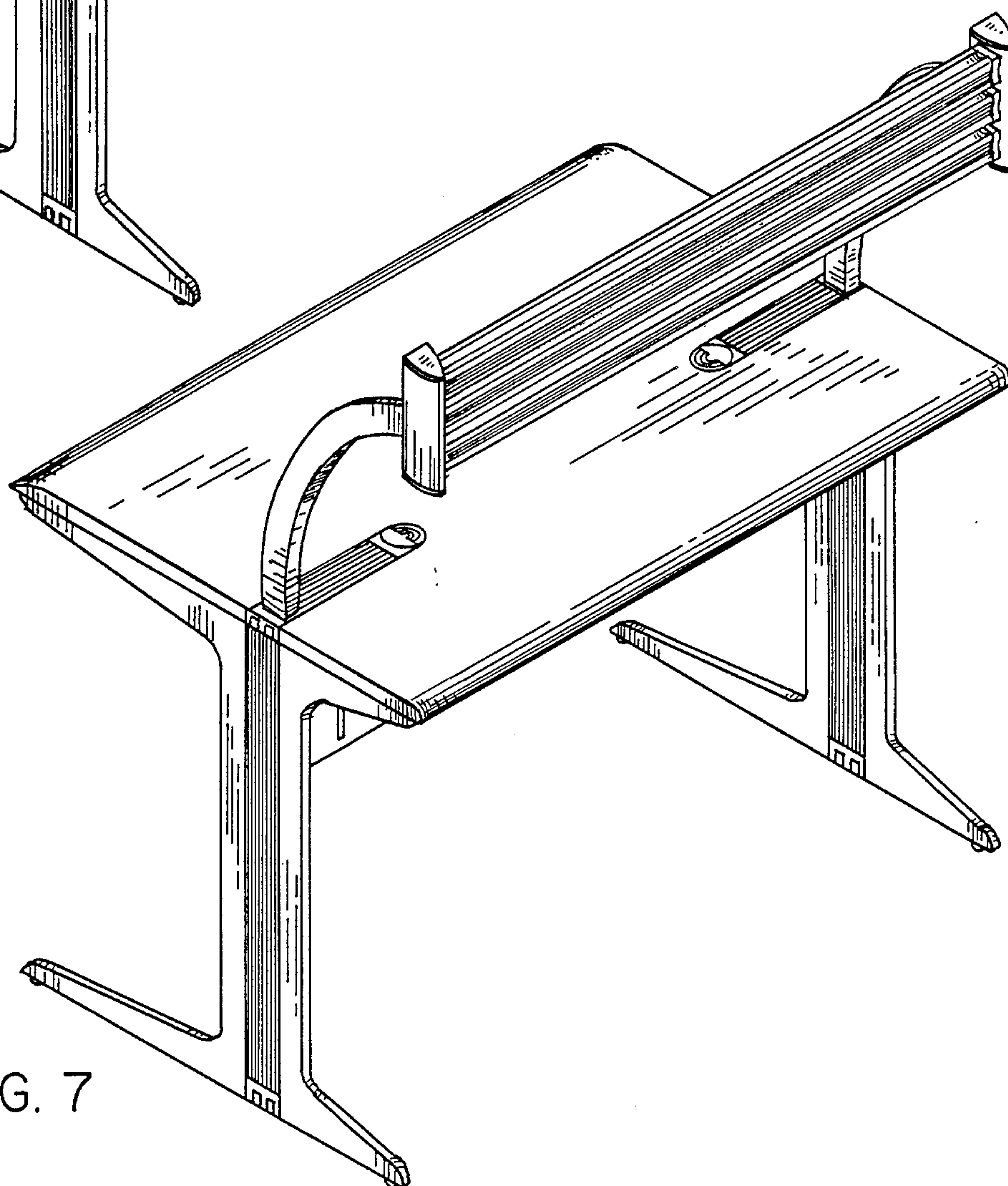


FIG. 7

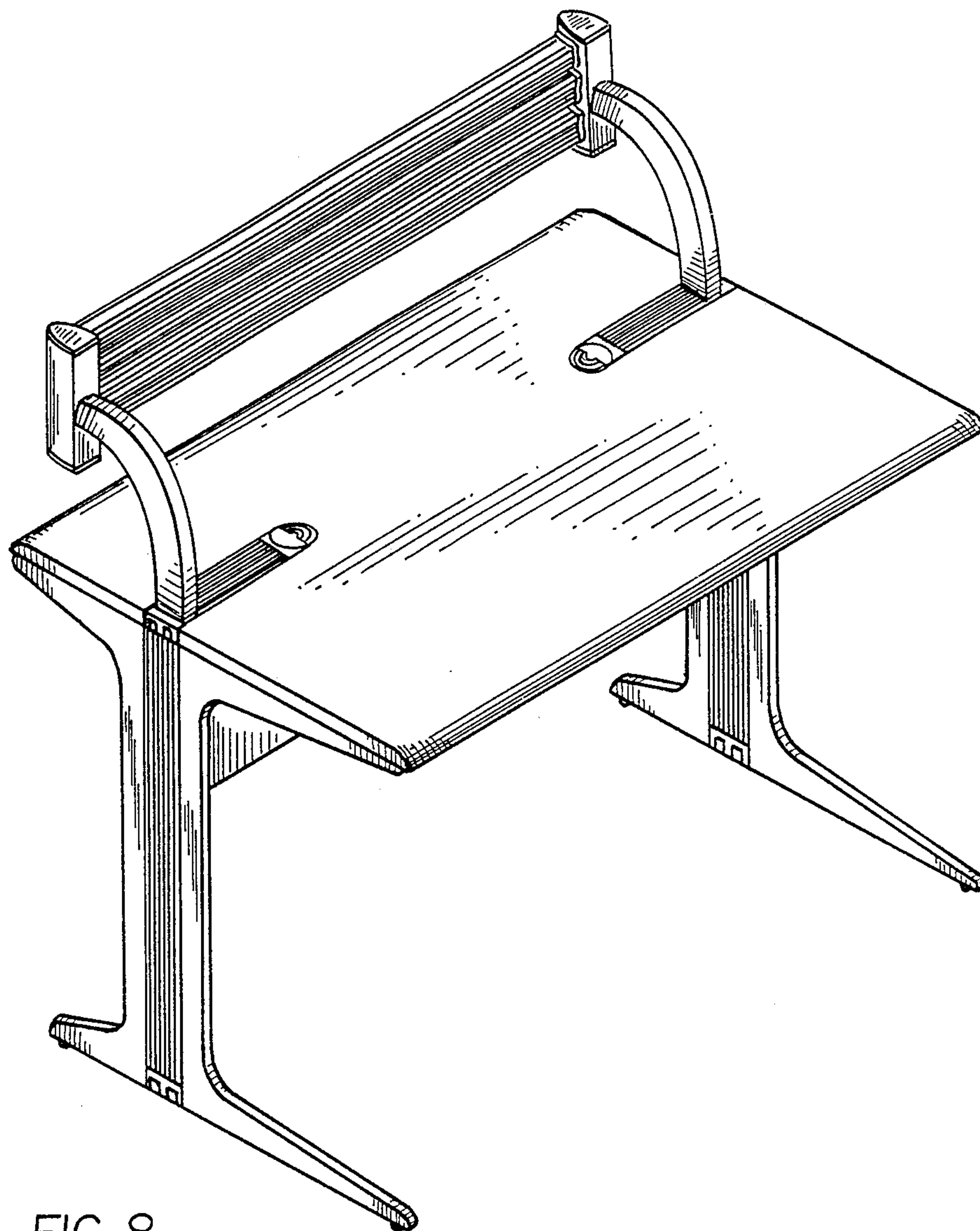


FIG. 8

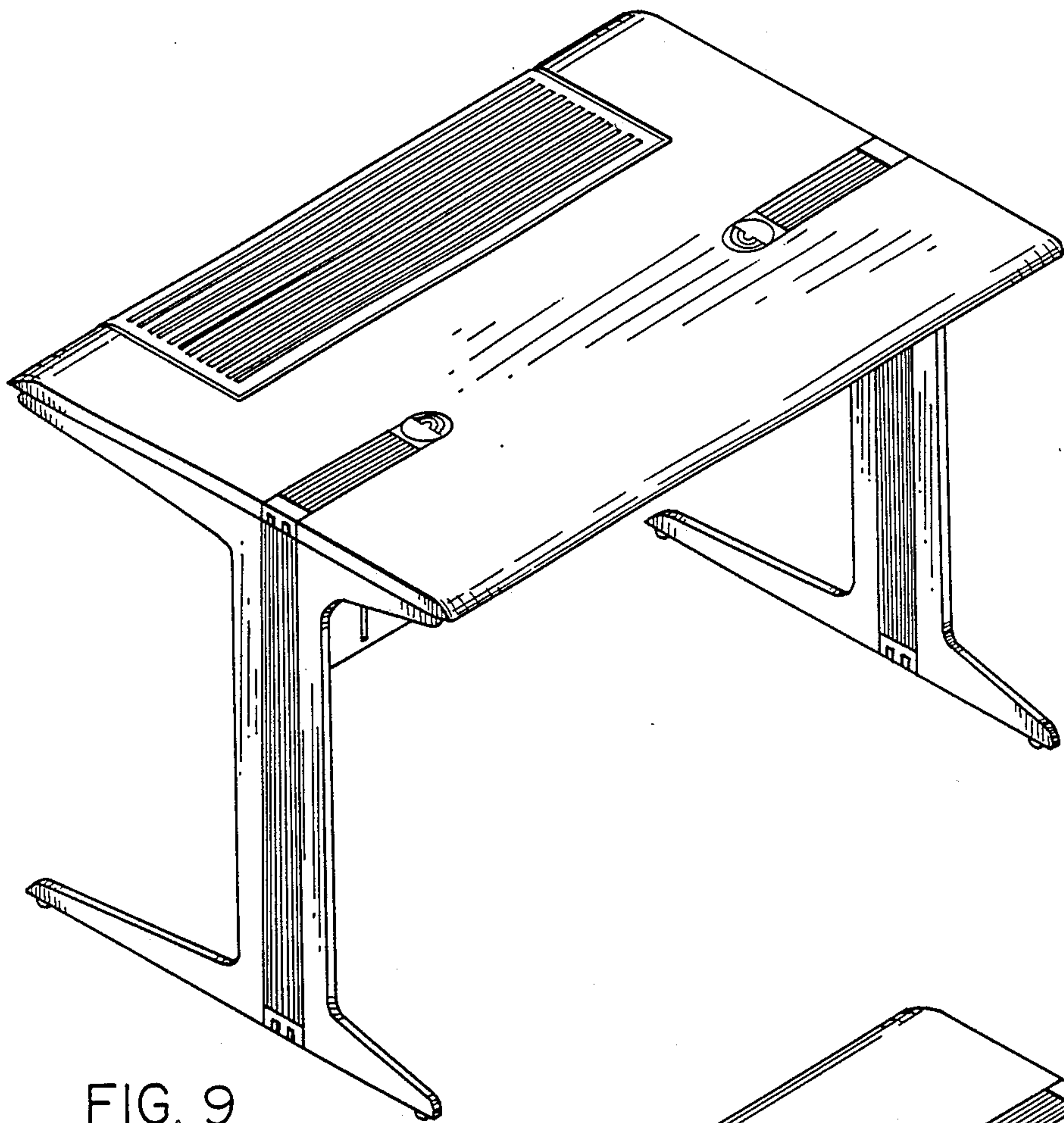


FIG. 9

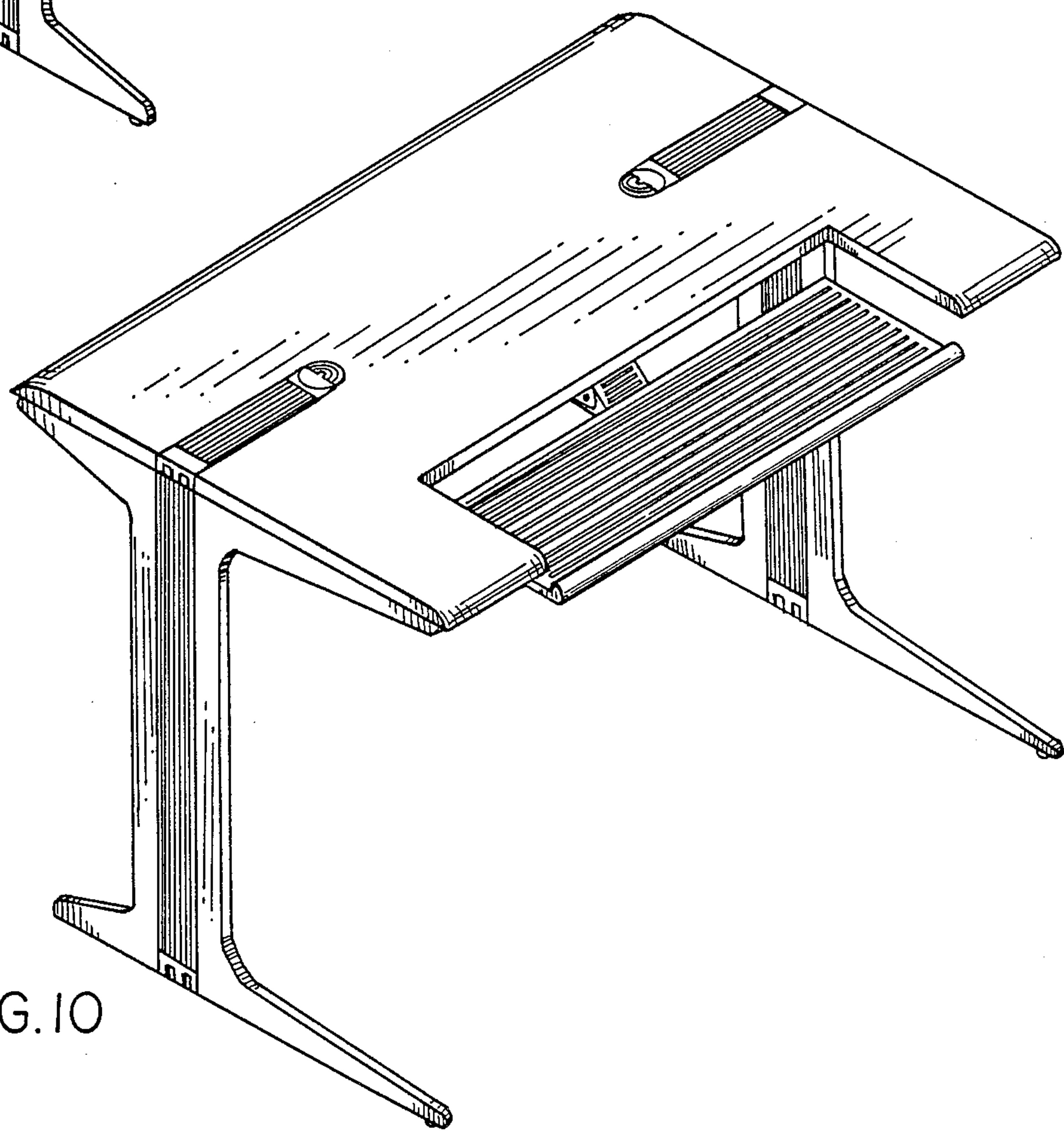


FIG. 10

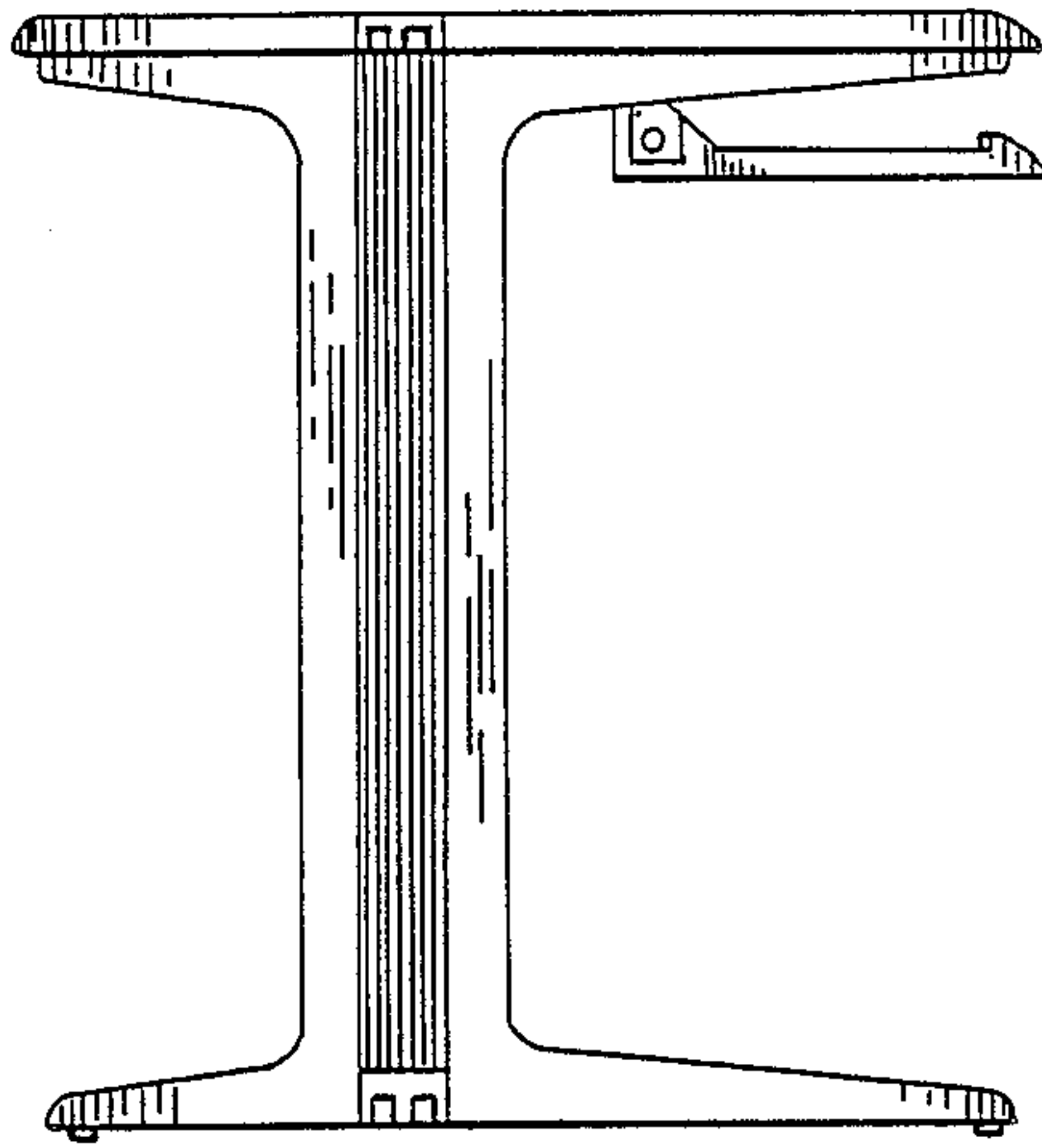


FIG. II

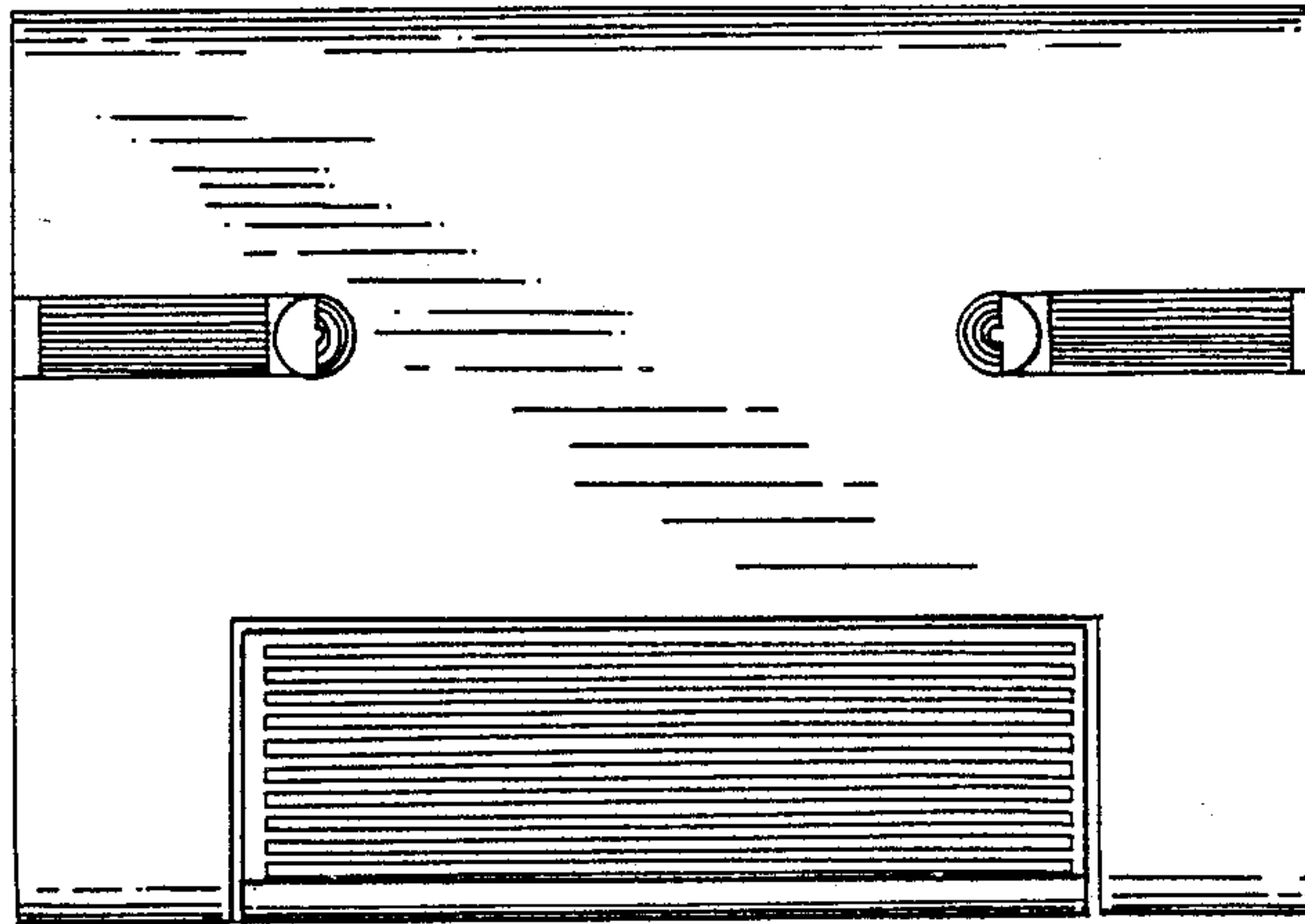


FIG. 12

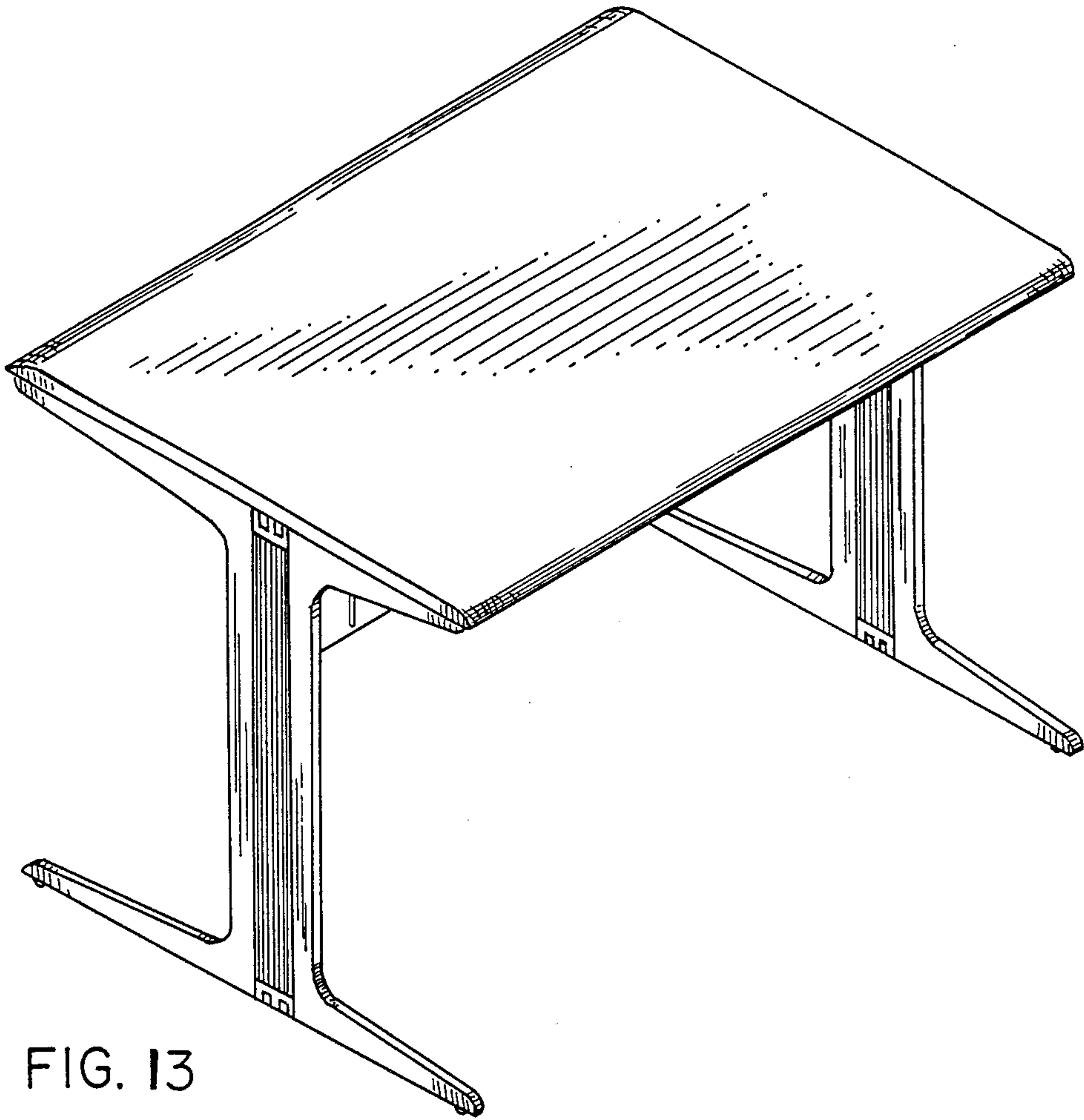


FIG. 13

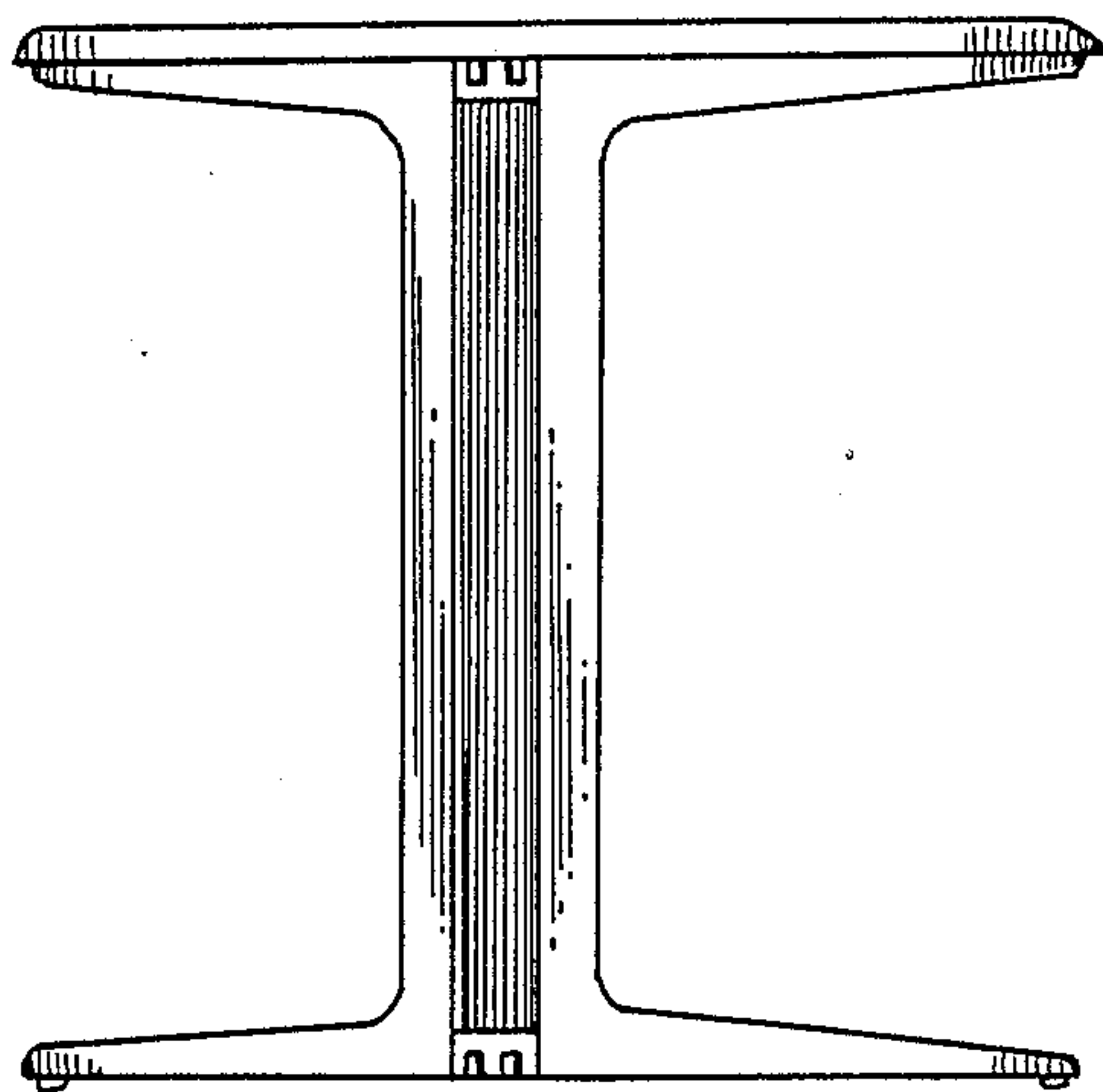


FIG. 14

