

[54] COMBINED SHELF AND ADJUSTABLE SUPPORT ARM FOR ATTACHMENT TO A TABLE

4,653,715 3/1987 Schmidt et al. 248/122 X
4,695,024 9/1987 Haven 248/281.1

[75] Inventor: Sohrab Vossoughi, Portland, Oreg.

[73] Assignee: Anthro Corporation, Portland, Oreg.

[**] Term: 14 Years

[21] Appl. No.: 43,735

[22] Filed: Apr. 29, 1987

[52] U.S. Cl. D6/418; D6/511

[58] Field of Search D6/491, 396, 509-511,
D6/418; 248/122, 145, 281.1

[56] References Cited

U.S. PATENT DOCUMENTS

- D. 227,069 6/1973 Webb D6/418
- D. 266,385 10/1982 Musgrove et al. D6/500
- D. 292,150 10/1987 Restin et al. D6/418
- 4,183,489 1/1980 Copher et al. 248/122 X
- 4,548,373 10/1985 Komura 248/122

OTHER PUBLICATIONS

Global Computer Supplies, The CRT Shuttle.

Primary Examiner—Bruce W. Dunkins

Assistant Examiner—Janice Seeger

Attorney, Agent, or Firm—Dellett, Smith-Hill and Bedell

[57] CLAIM

The ornamental design for a combined shelf and adjustable support arm for attachment to a table, as shown and described.

DESCRIPTION

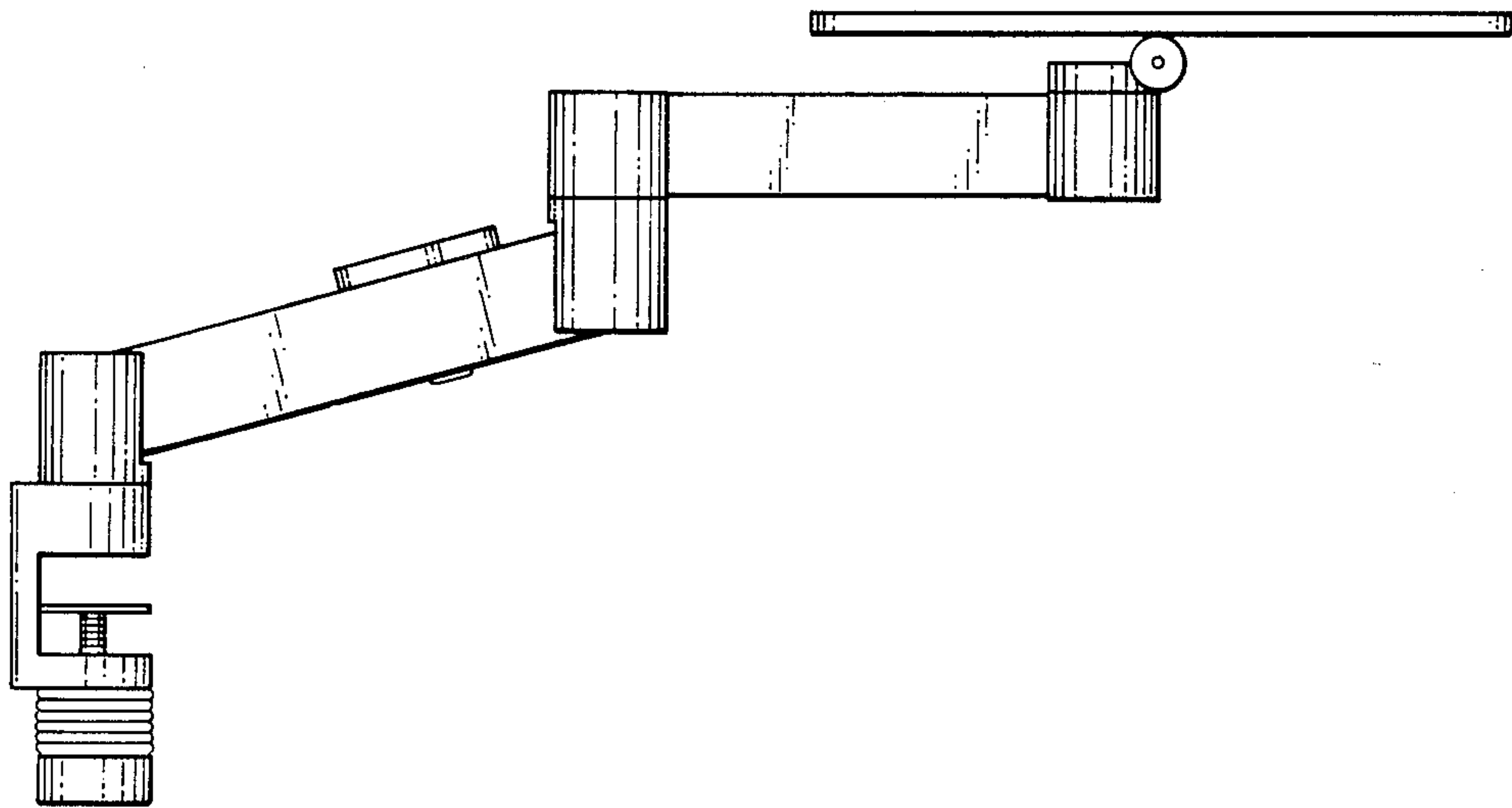
FIG. 1 is a side elevational view of a combined shelf and adjustable support arm for attachment to a table, the opposite side being a mirror image thereof, showing my new design;

FIG. 2 is a top plan view;

FIG. 3 is a bottom plan view;

FIG. 4 is a rear elevational view; and

FIG. 5 is a front elevational view thereof.



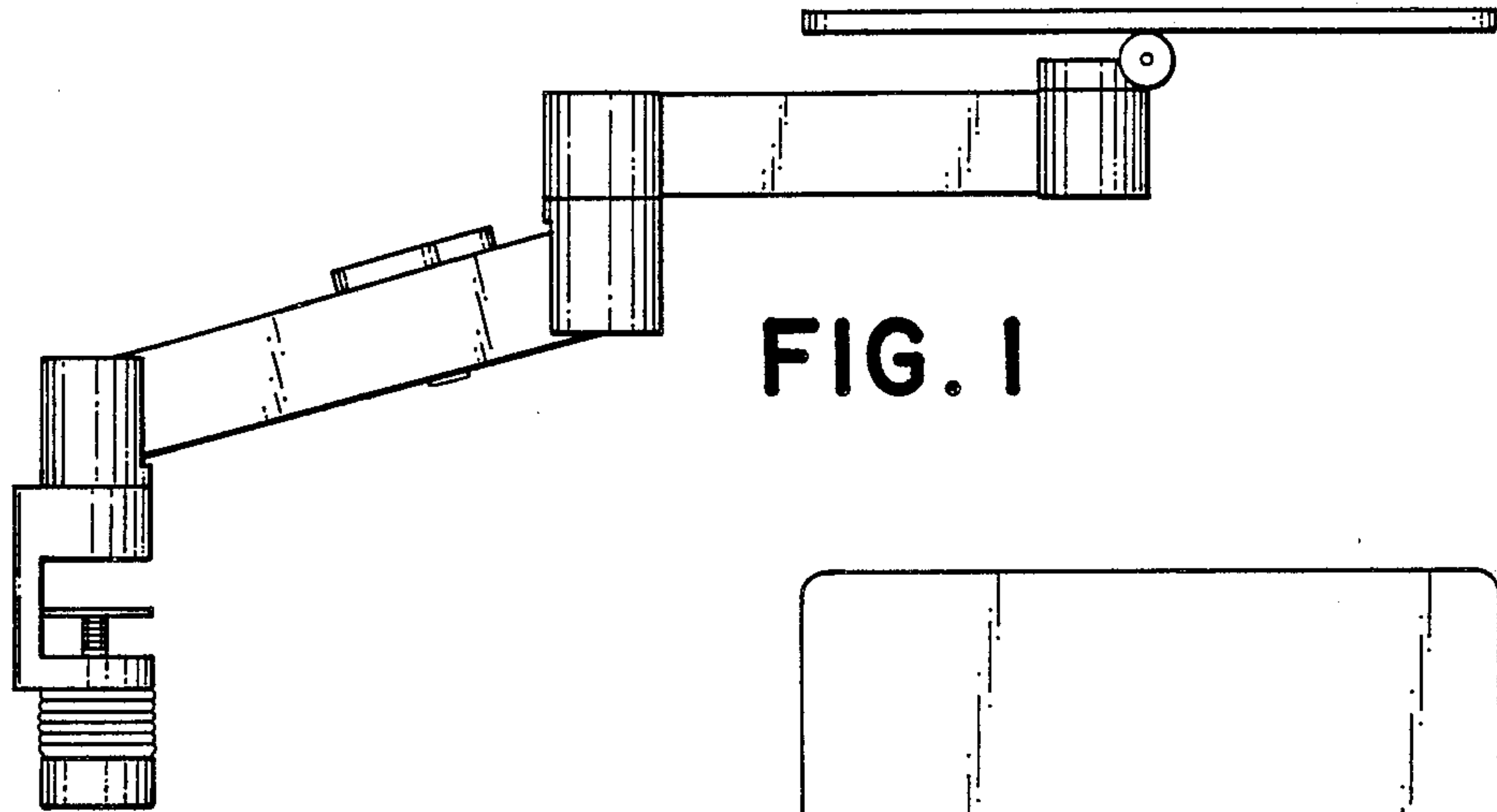


FIG. 1

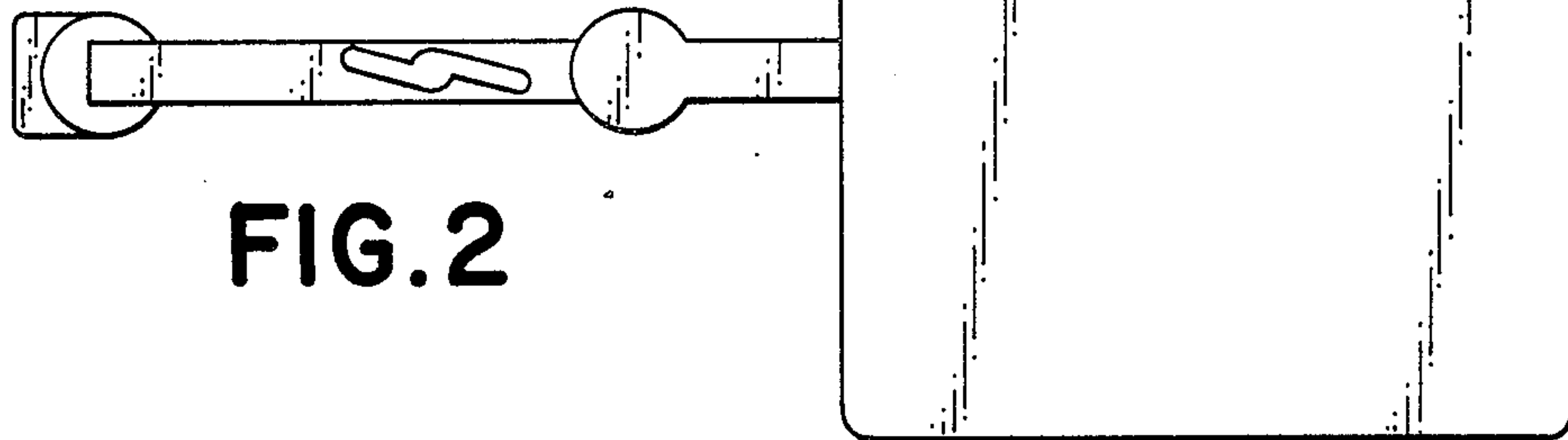


FIG. 2

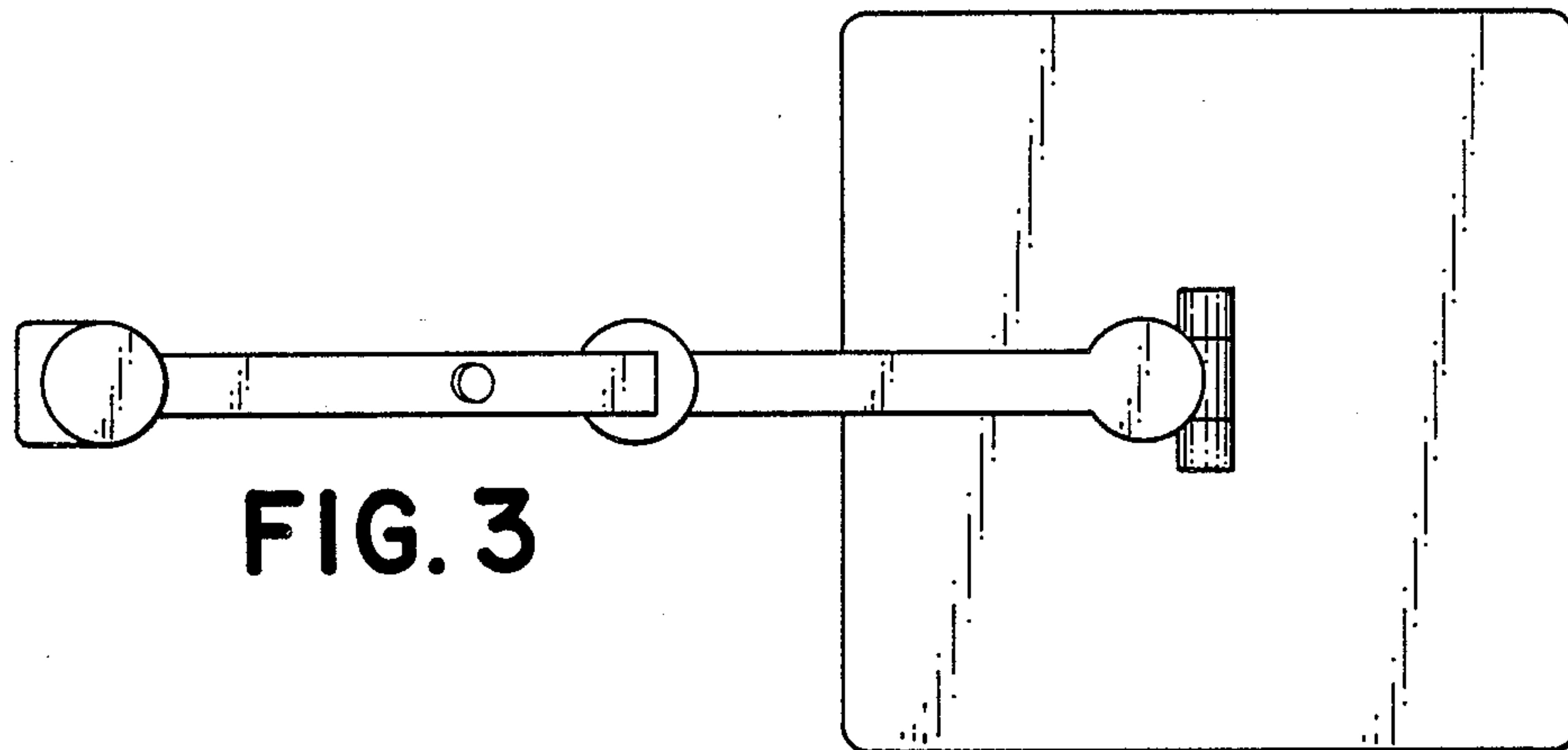


FIG. 3

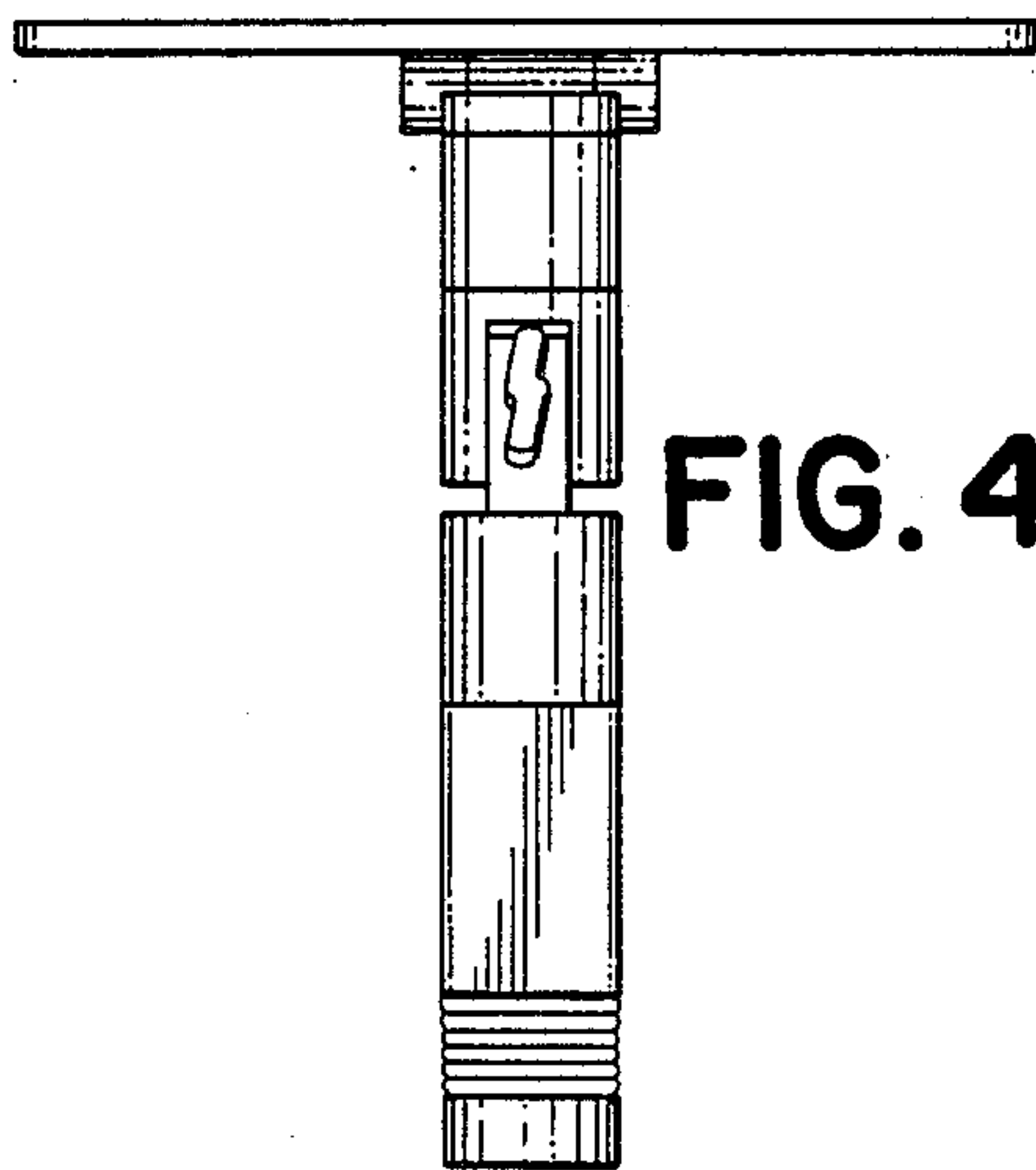


FIG. 4

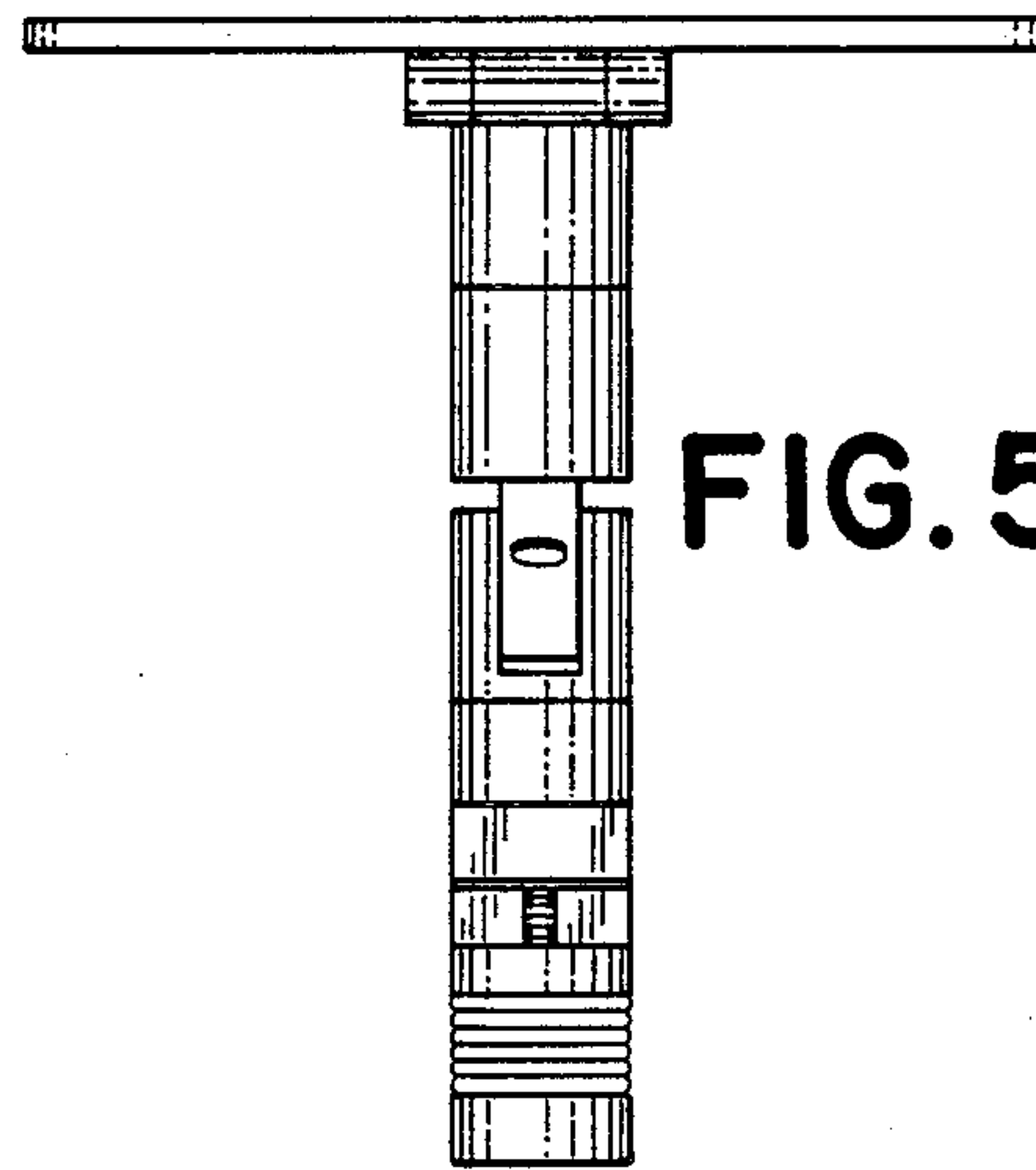


FIG. 5