

United States Patent [19]

Clark et al.

[11] Patent Number: **Des. 311,828**

[45] Date of Patent: **** Nov. 6, 1990**

[54] LAP TRAY

[76] Inventors: **Dean Clark; Shirley McMillan**, both of P.O. Box 1821, Riverton, Wyo. 82501

[**] Term: **14 Years**

[21] Appl. No.: **158,994**

[22] Filed: **Feb. 22, 1988**

[52] U.S. Cl. **D6/406; D6/511; D7/554**

[58] Field of Search **D6/406, 511, 339, 338; D7/505, 507, 538, 541, 554, 553, 550, 549, 545; D3/40; D19/92; D34/40**

[56] **References Cited**

U.S. PATENT DOCUMENTS

D. 137,442 3/1944 Nordby D6/511

D. 199,305 10/1964 Jennings D7/554 X
D. 204,999 6/1966 Edwards D7/554 X
D. 296,732 7/1988 Ausbon D6/339
2,663,603 12/1953 Newman D6/406 X
3,301,406 1/1967 Scott D7/550 X

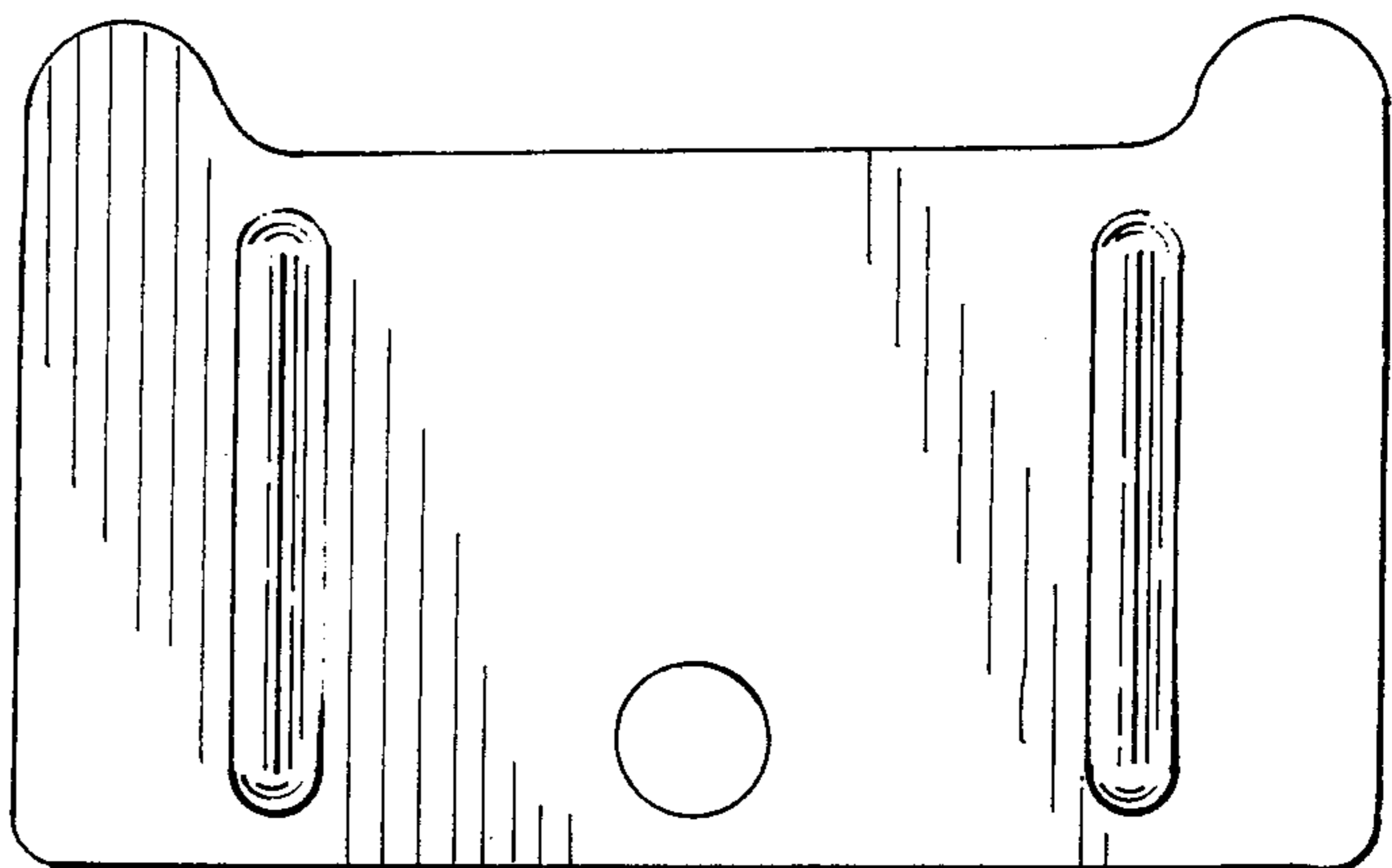
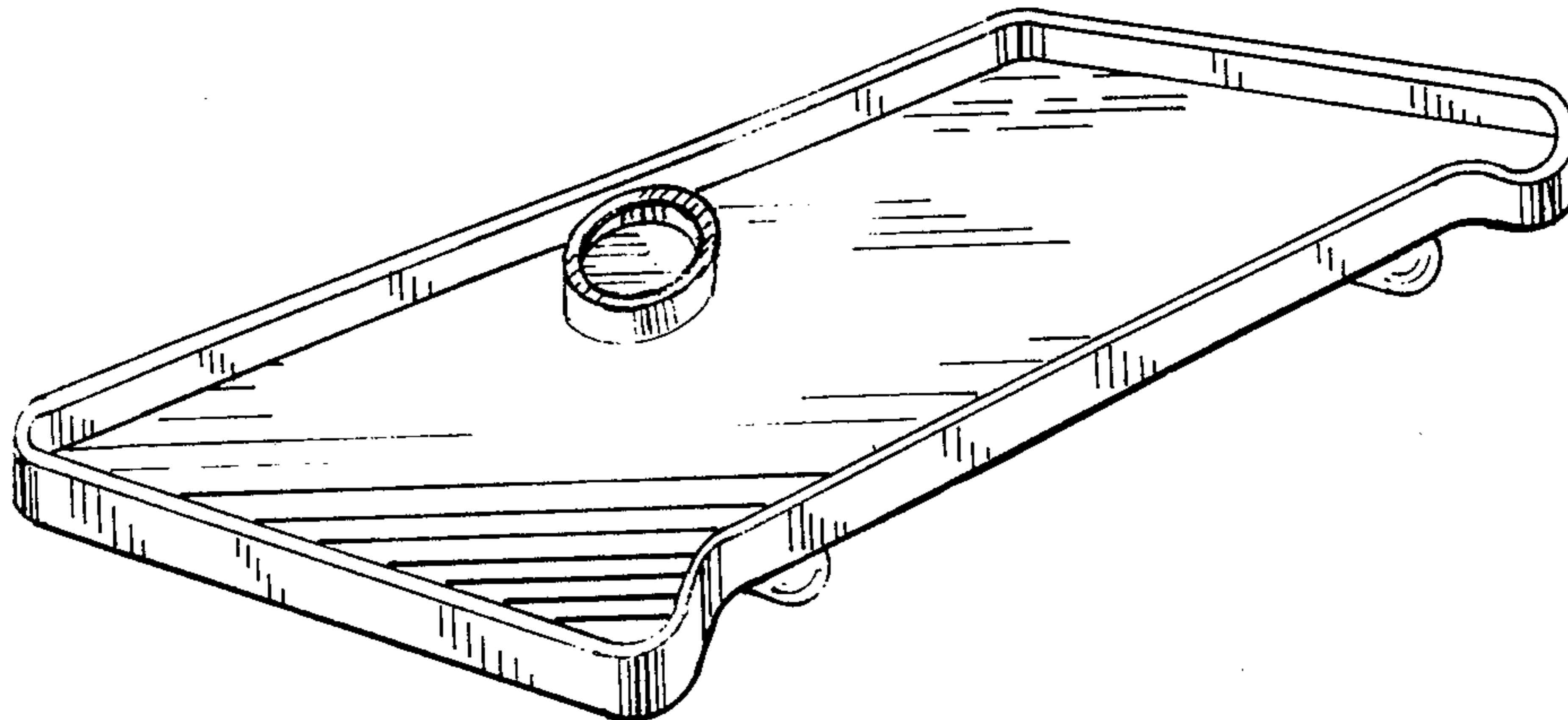
Primary Examiner—Winifred E. Herrmann
Attorney, Agent, or Firm—Lewis E. Massie

[57] **CLAIM**

The ornamental design for a lap tray, as shown and described.

DESCRIPTION

FIG. 1 is a top front and left side perspective view of a lap tray showing our new design;
FIG. 2 is a top plan view thereof;
FIG. 3 is a rear elevational view thereof; and
FIG. 4 is a bottom plan view thereof.
The side opposite the side shown in FIG. 1 is a mirror image thereof.



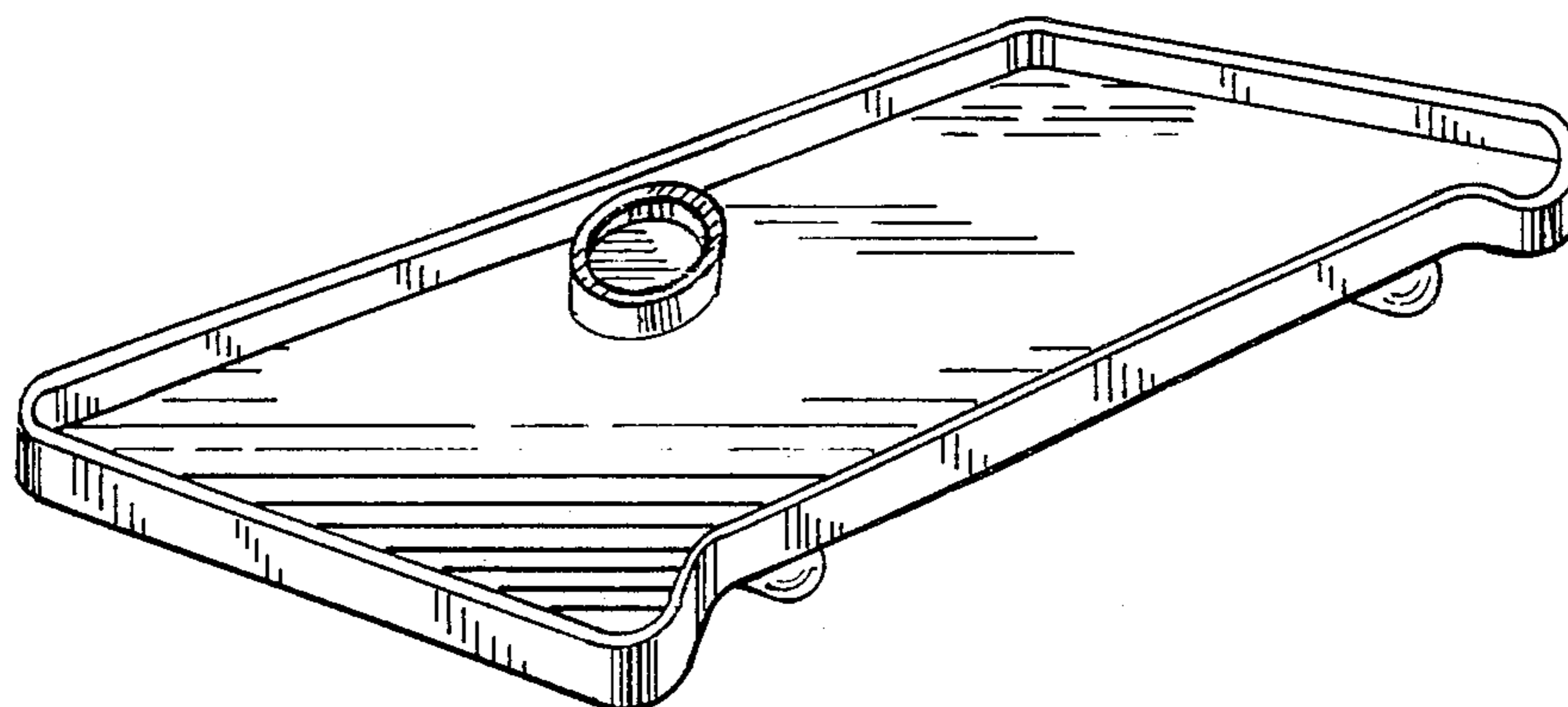


FIG. 1

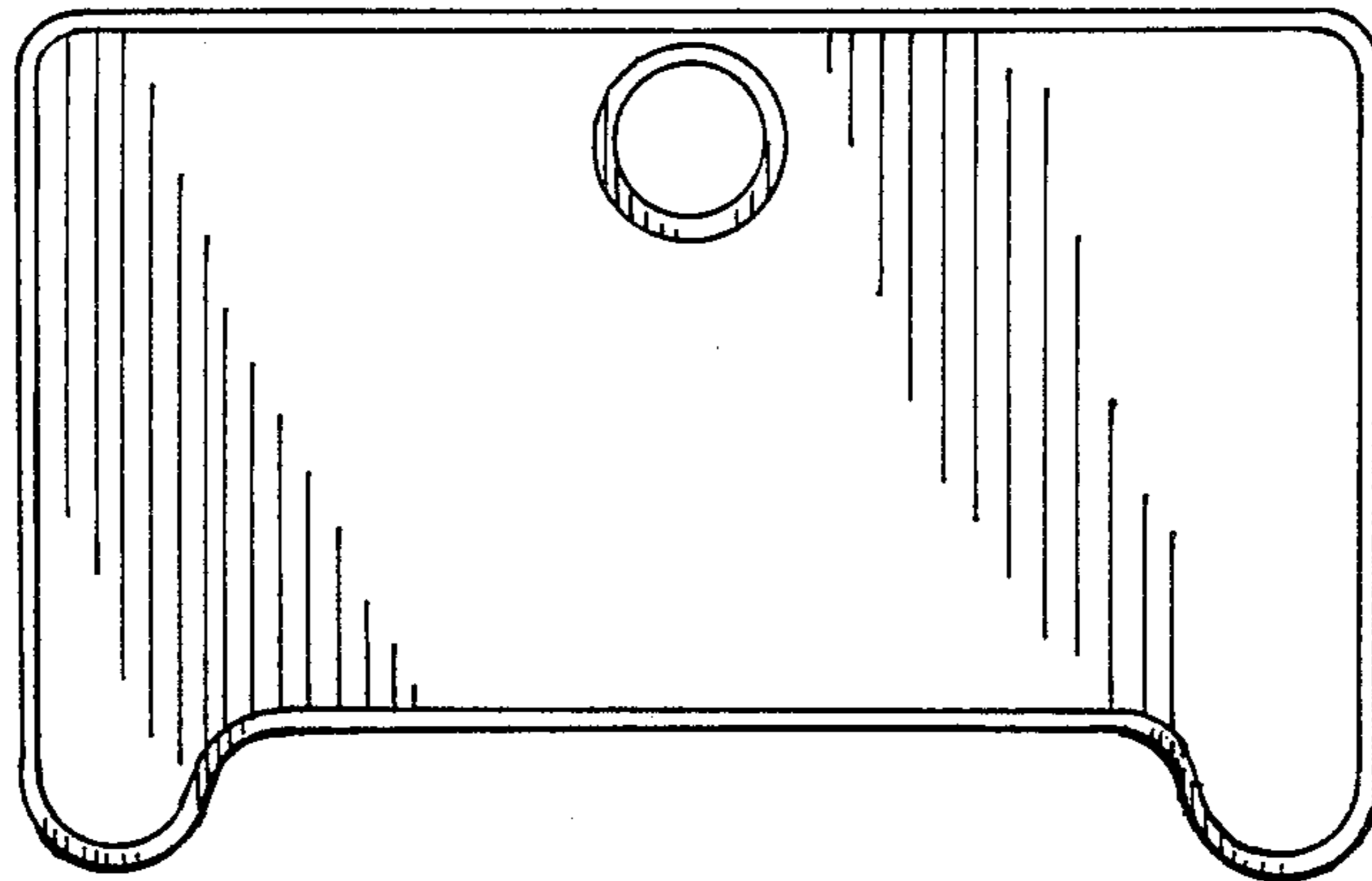


FIG. 2

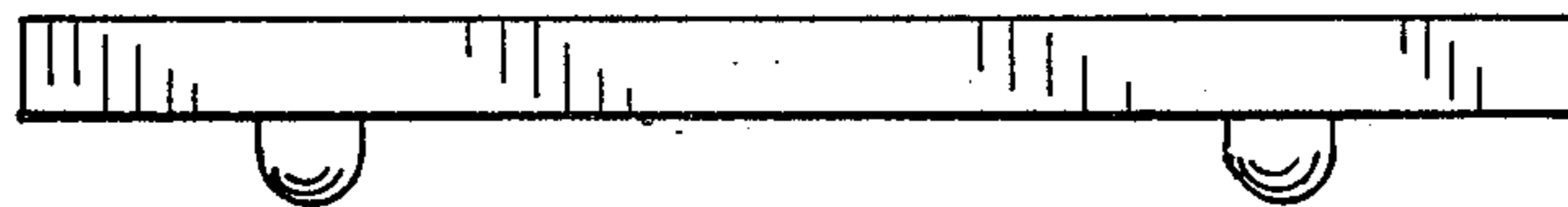


FIG. 3

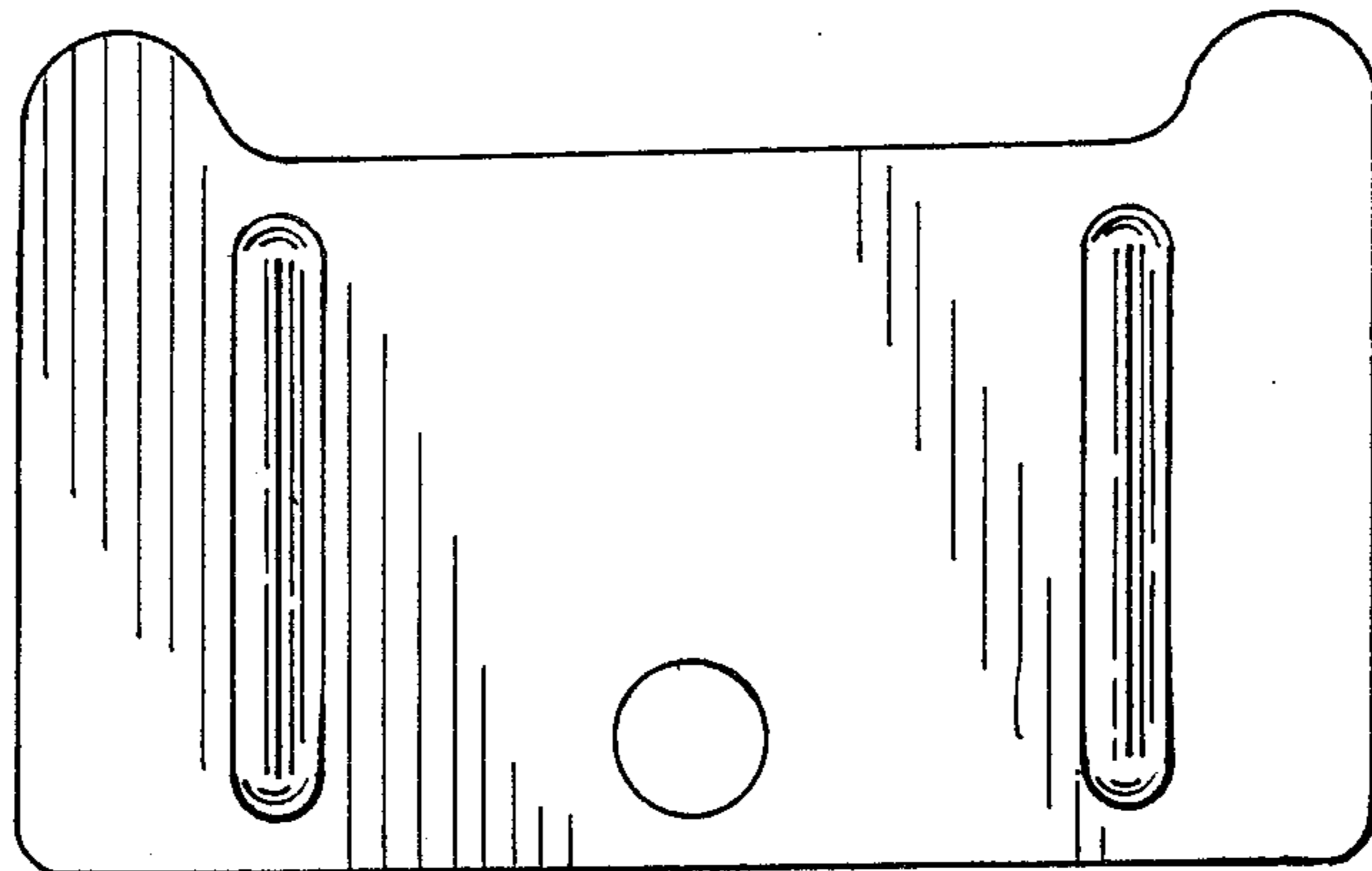


FIG. 4