

[54] SEAT

[75] Inventor: Peter M. Yau Kee, Happy Valley, Hong Kong

[73] Assignee: Rosalco, Inc., Louisville, Ky.

[**] Term: 14 Years

[21] Appl. No.: 428,655

[22] Filed: Oct. 30, 1989

Related U.S. Application Data

[62] Division of Ser. No. 295,566, Jan. 10, 1989.

[52] U.S. Cl. D6/379; D6/370; D6/380

[58] Field of Search D6/503, 505, 507, 508, D6/499, 393, 394, 395, 382, 380, 334, 374, 370, 349; 211/182

References Cited

U.S. PATENT DOCUMENTS

- D. 22,922 11/1893 Conser D6/379 X
- D. 284,815 7/1986 Shaw et al. D6/374 X
- D. 288,749 3/1987 Tonon D6/370 X

OTHER PUBLICATIONS

- Best Catalog, 1986/87, #2 and #7, p. 216.
- Ficks Reed Catalog #5791, p. 40.

Furniture/Today Jul. 11, 1988, 2nd from right.

Primary Examiner—Bruce W. Dunkins

Assistant Examiner—Jeffrey Asch

Attorney, Agent, or Firm—Rhodes, Coats & Bennett

[57] CLAIM

The ornamental design for a seat, as shown and described.

DESCRIPTION

FIG. 1 is a front perspective of a seat showing my design in the form of a love seat;

FIG. 2 is a rear perspective view of the FIG. 1 embodiment;

FIG. 3 is a front elevational view of the FIG. 1 embodiment;

FIG. 4 is a front perspective view of a seat showing my new design in form of an alternate love seat;

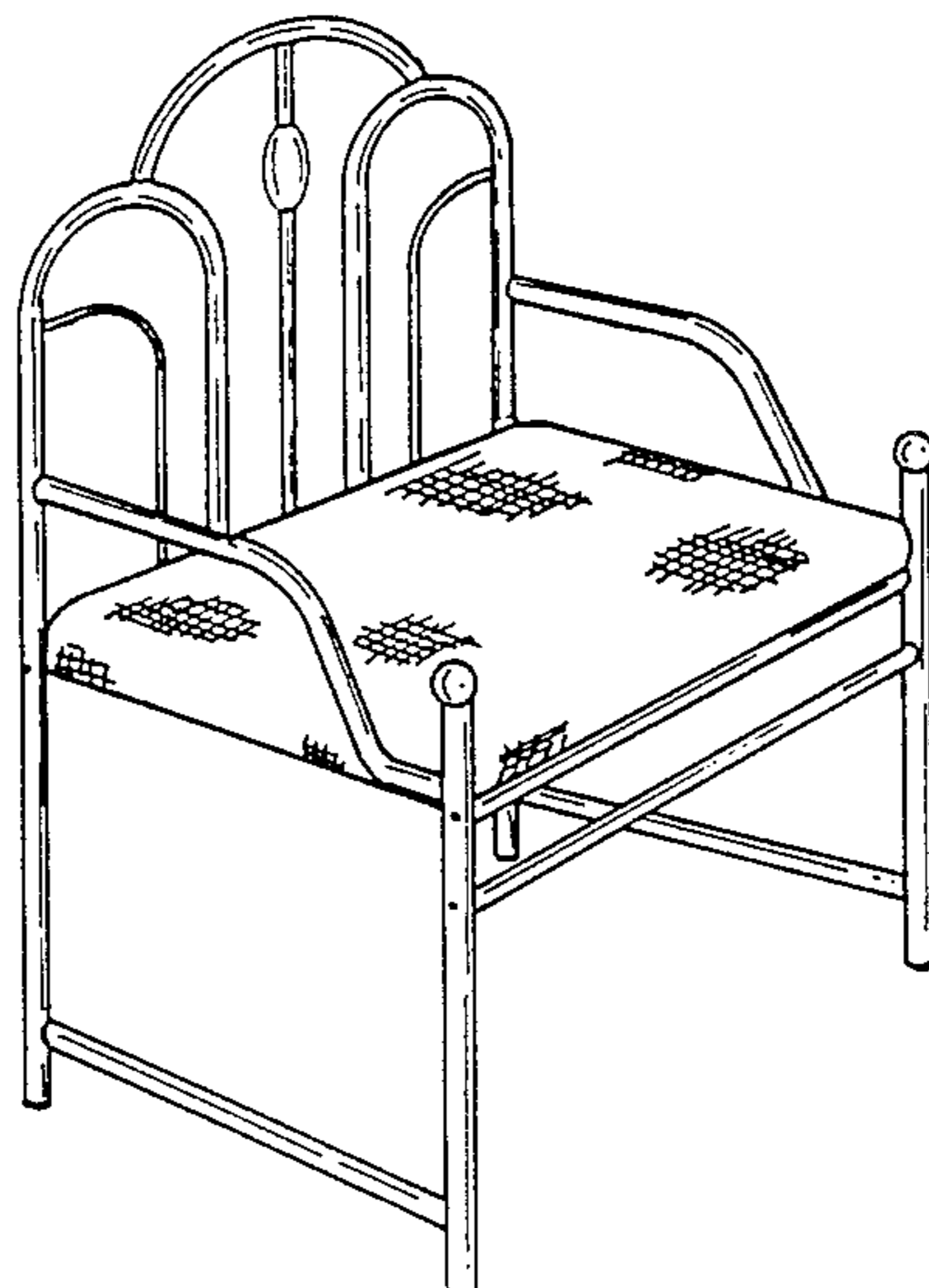
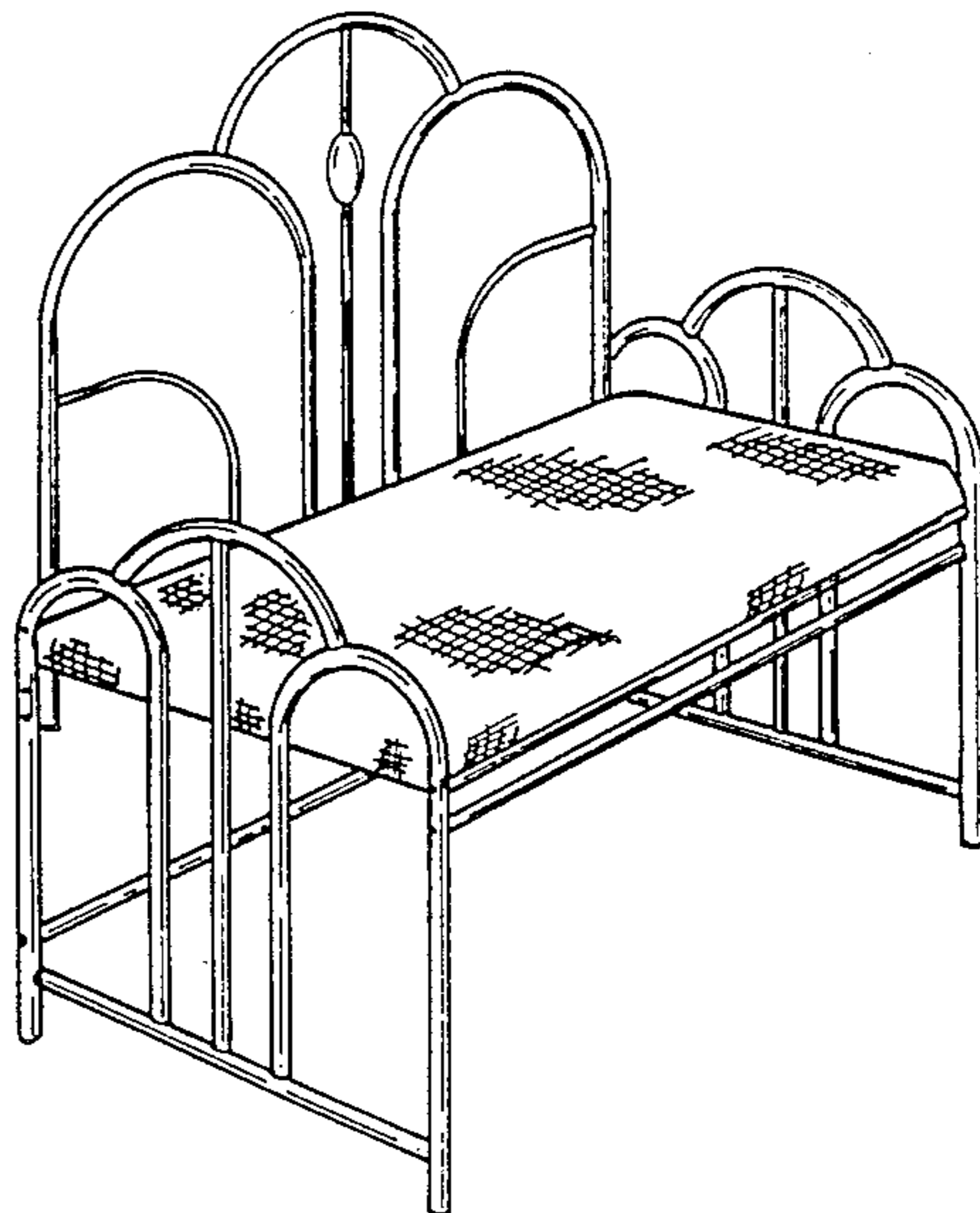
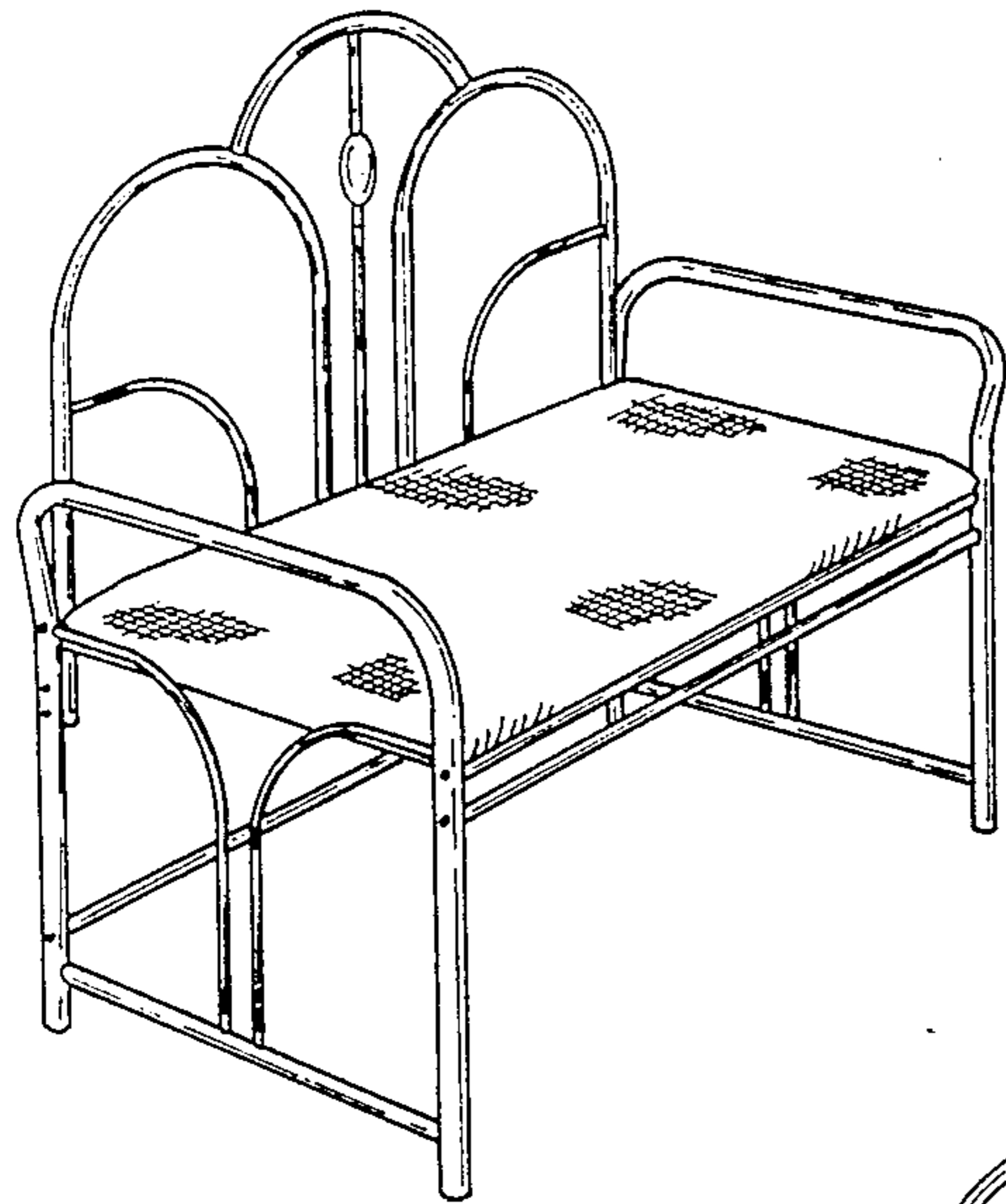
FIG. 5 is a rear perspective view of the FIG. 4 embodiment;

FIG. 6 is a front elevational view of the FIG. 4 embodiment;

FIG. 7 is a front perspective view of a seat showing my design in the form of an arm chair;

FIG. 8 is a rear perspective view of the FIG. 7 embodiment; and

FIG. 9 is a front elevational view of the FIG. 7 embodiment.



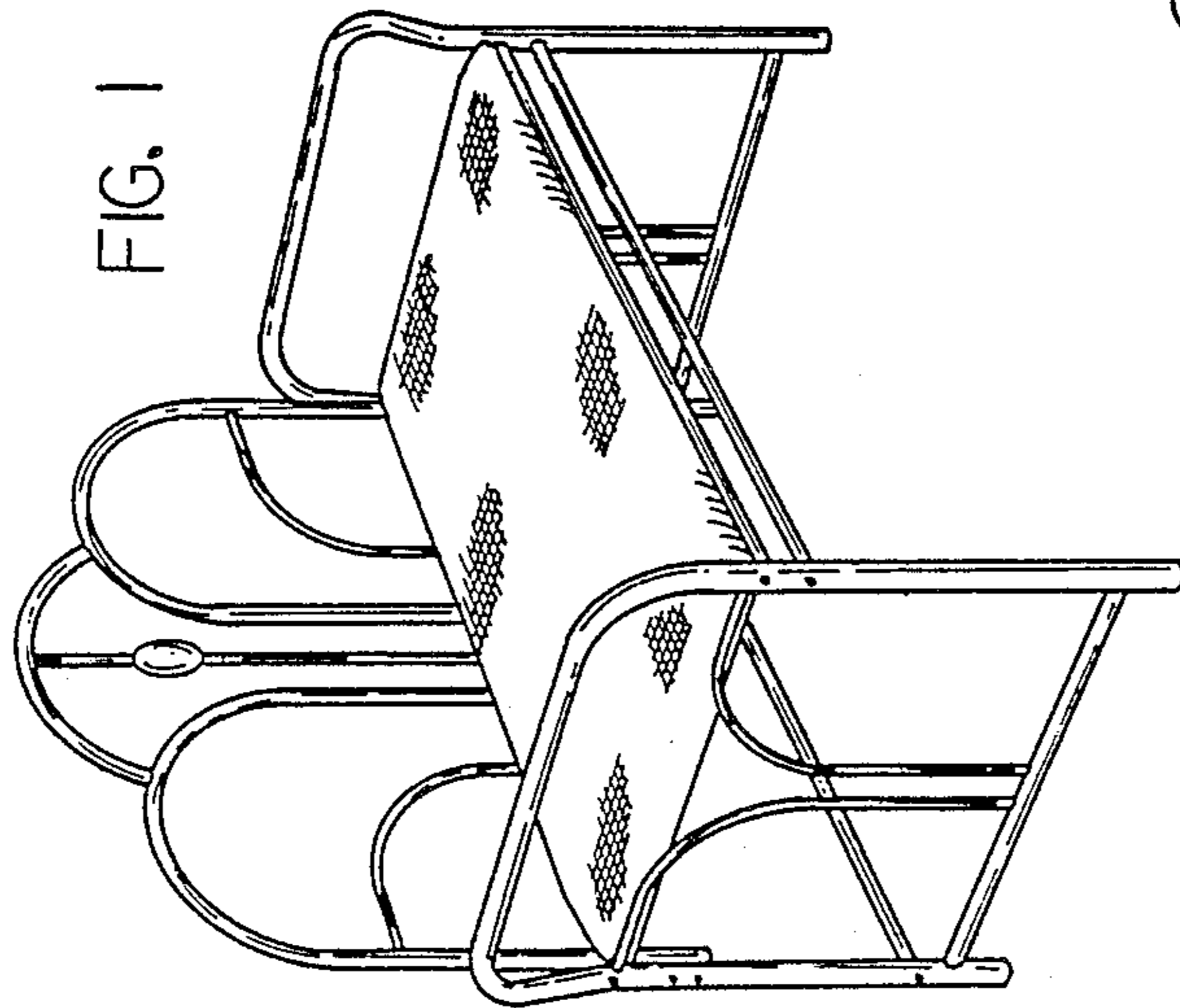


FIG. 1

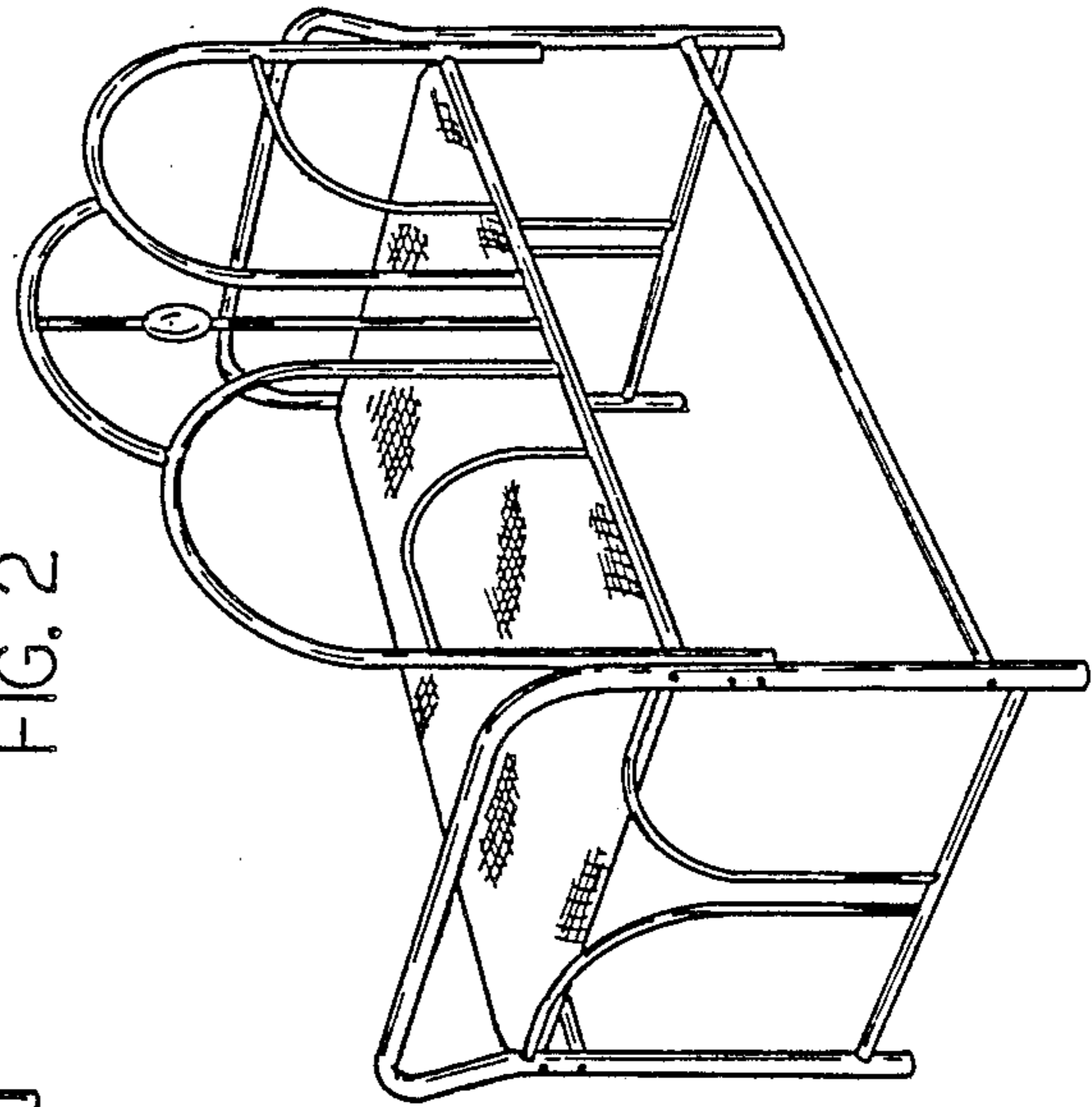


FIG. 2

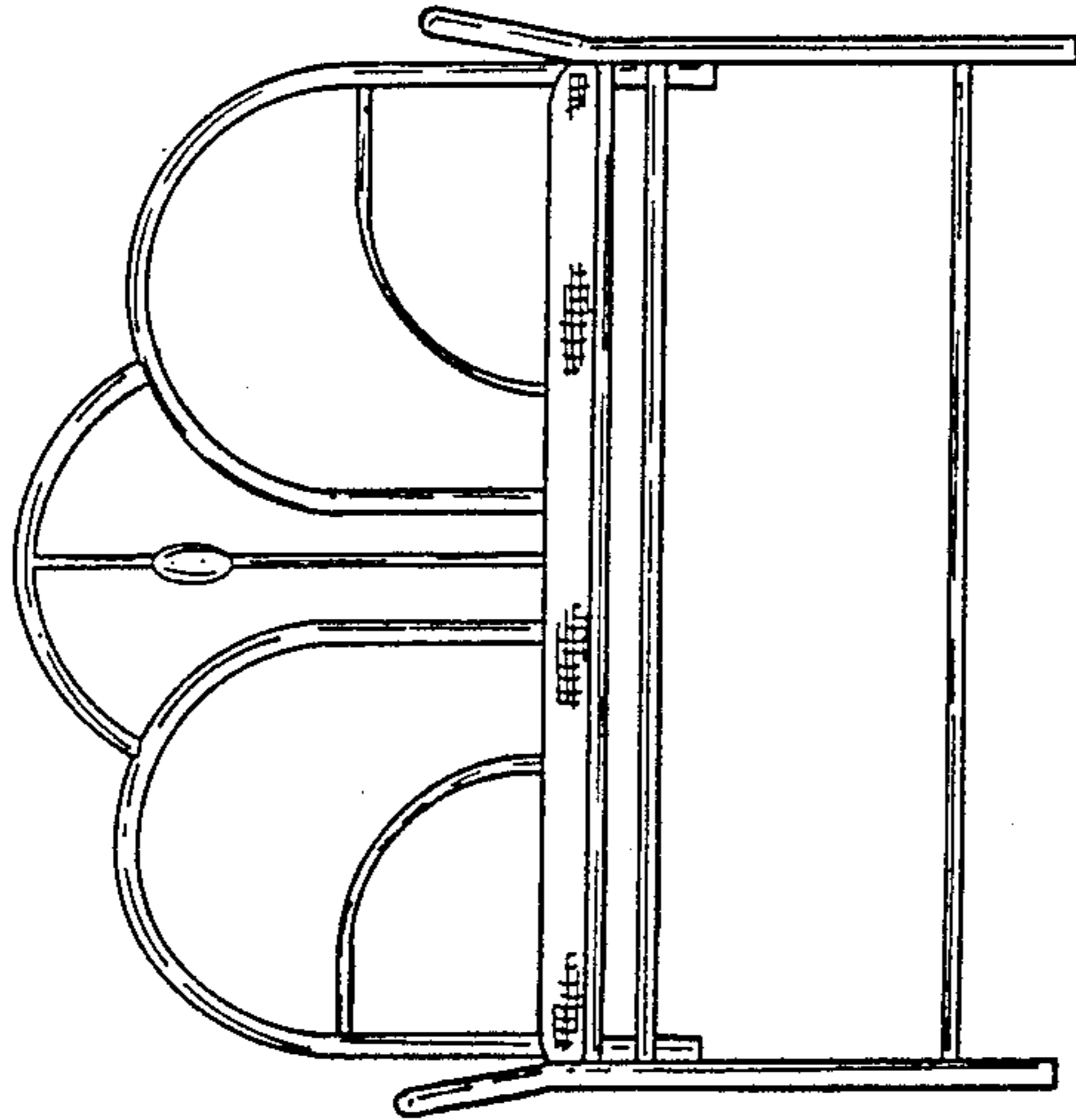


FIG. 3

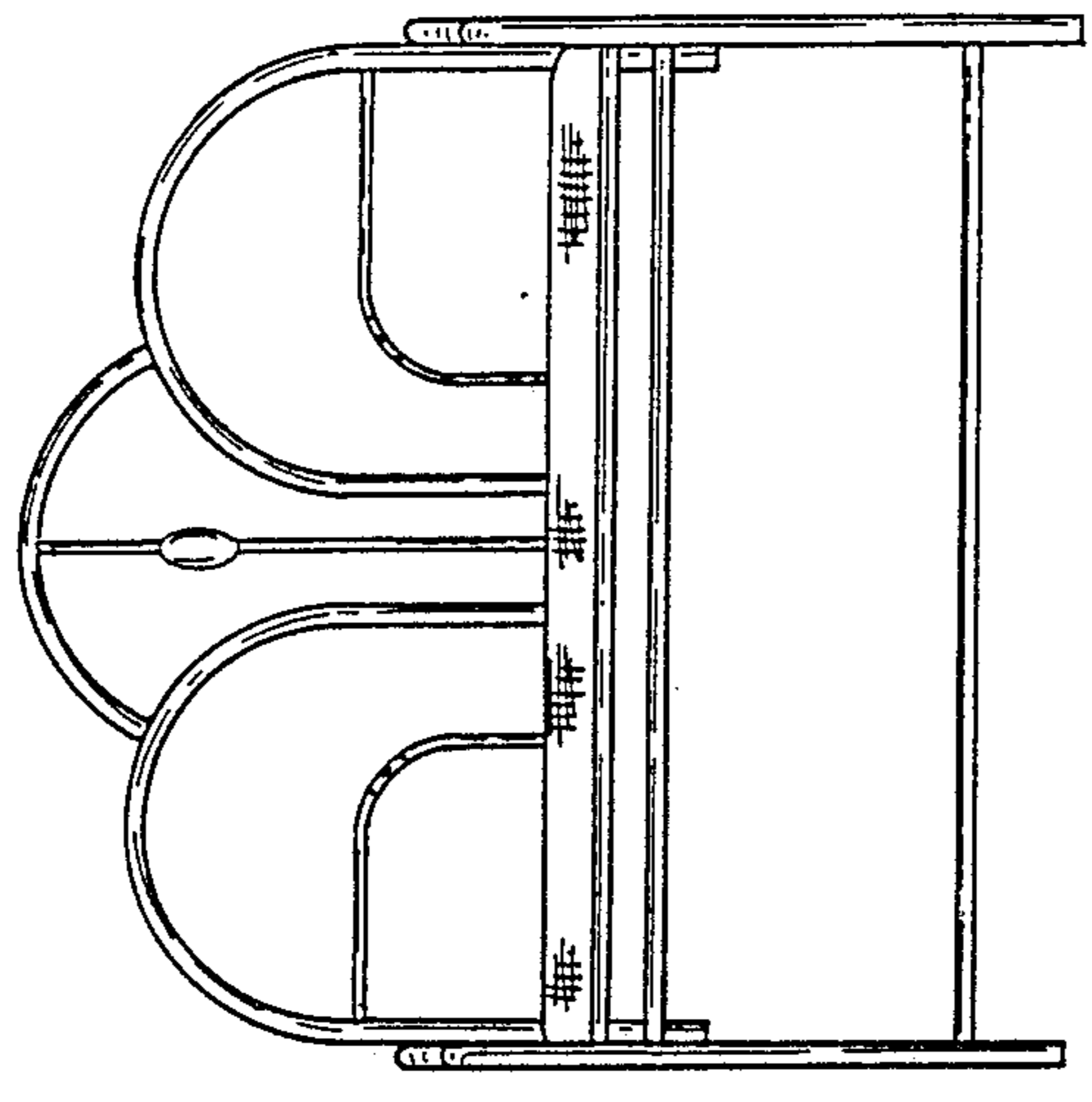


FIG. 6

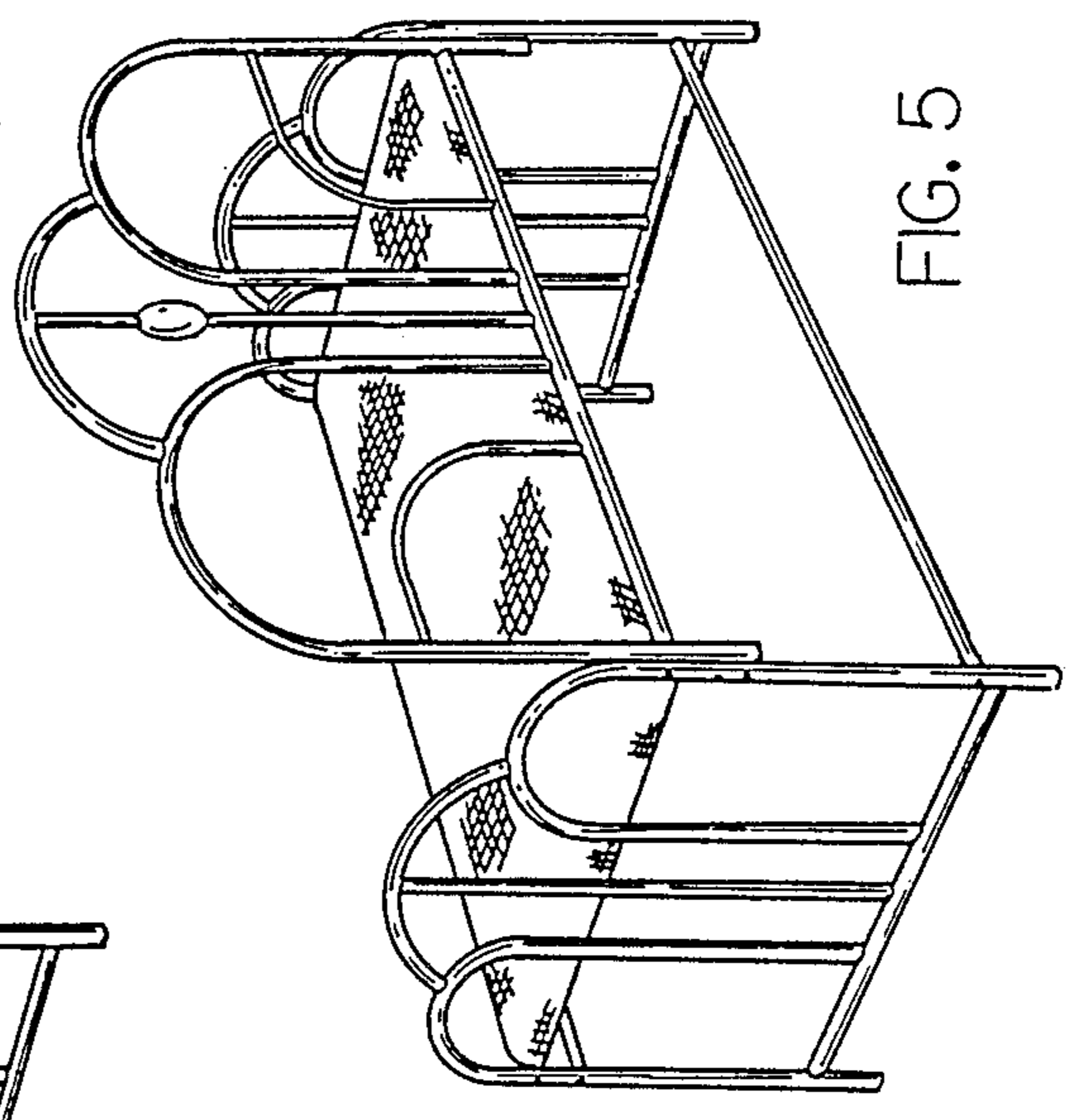


FIG. 5

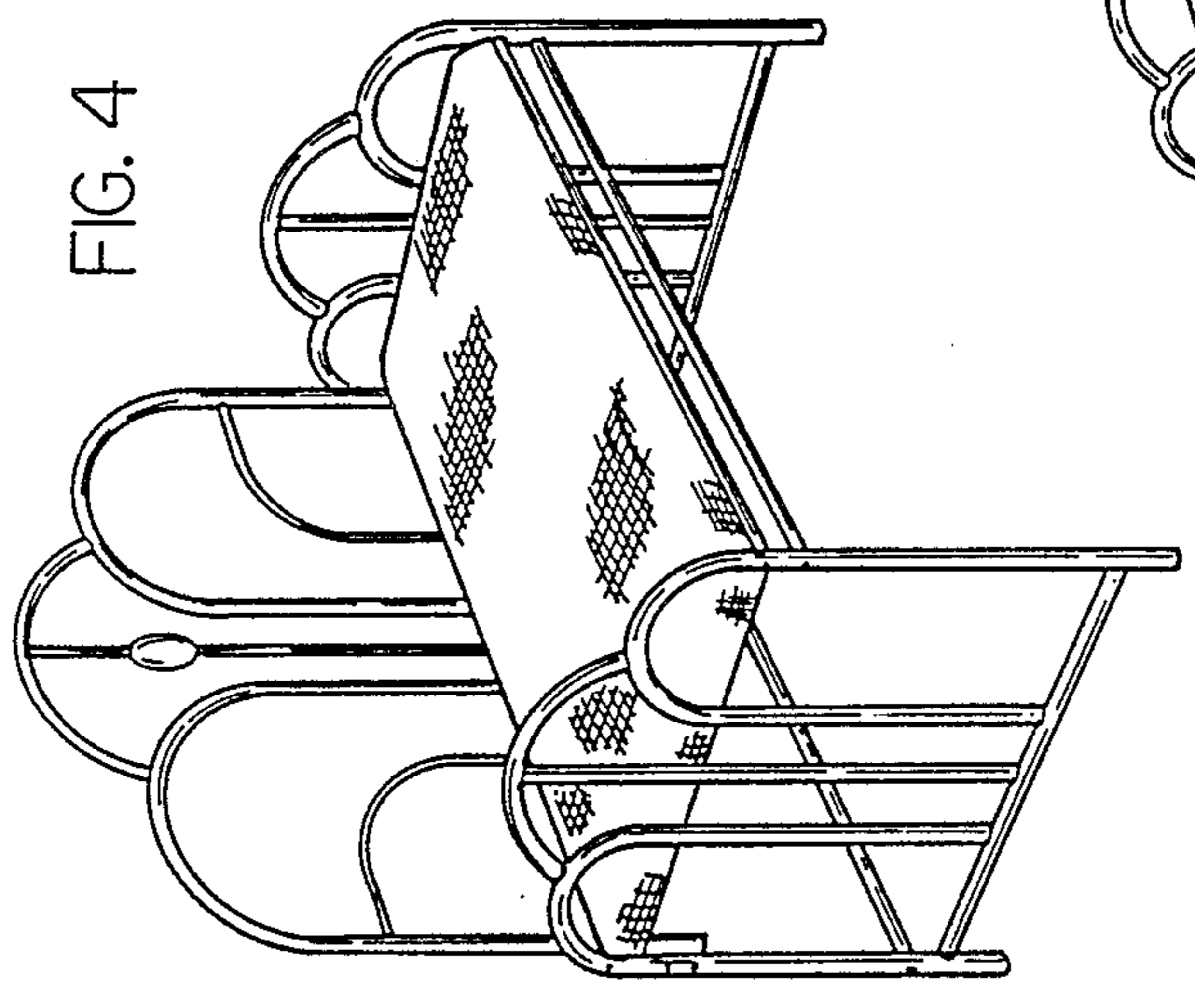


FIG. 4

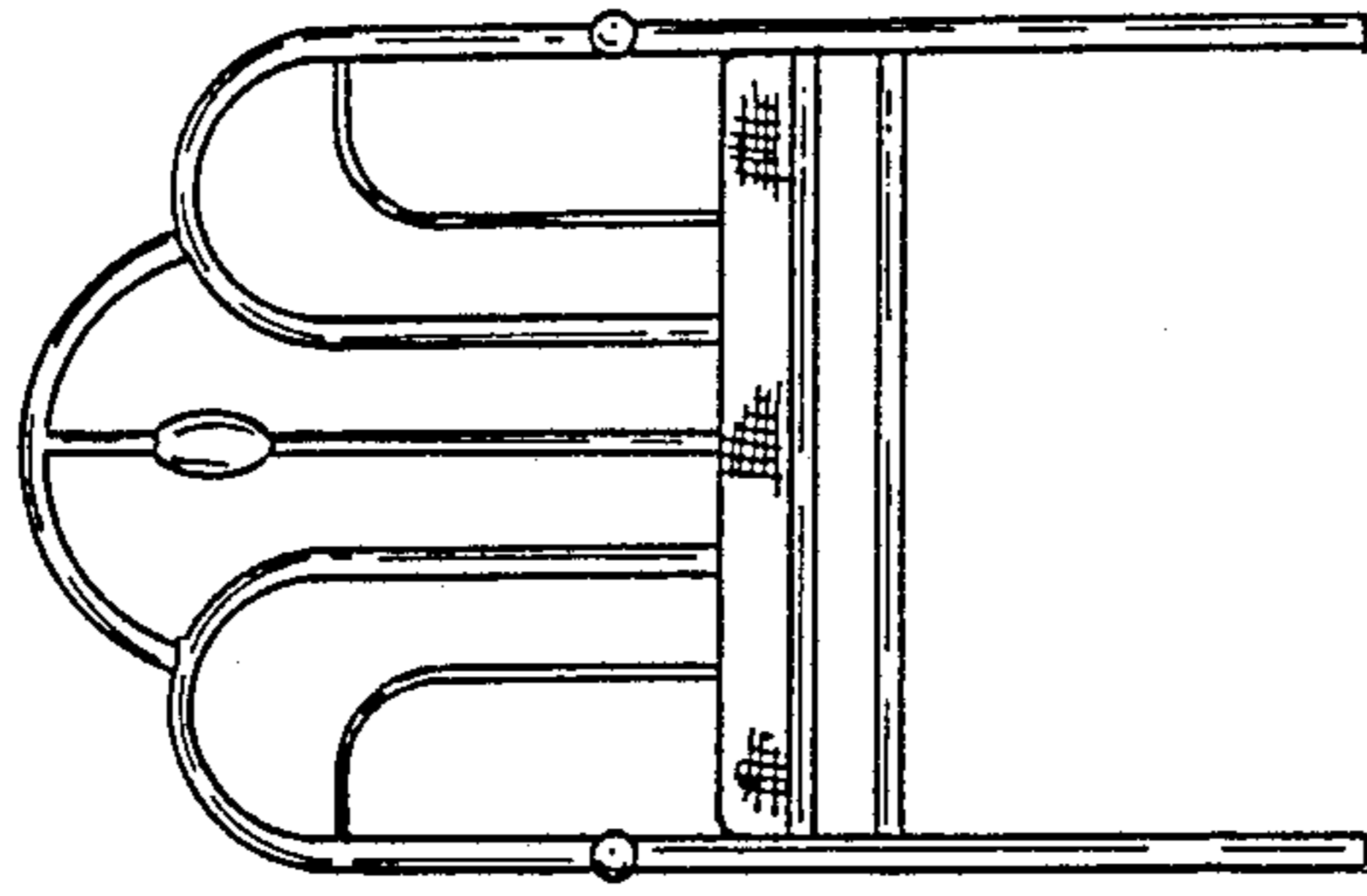


FIG. 9

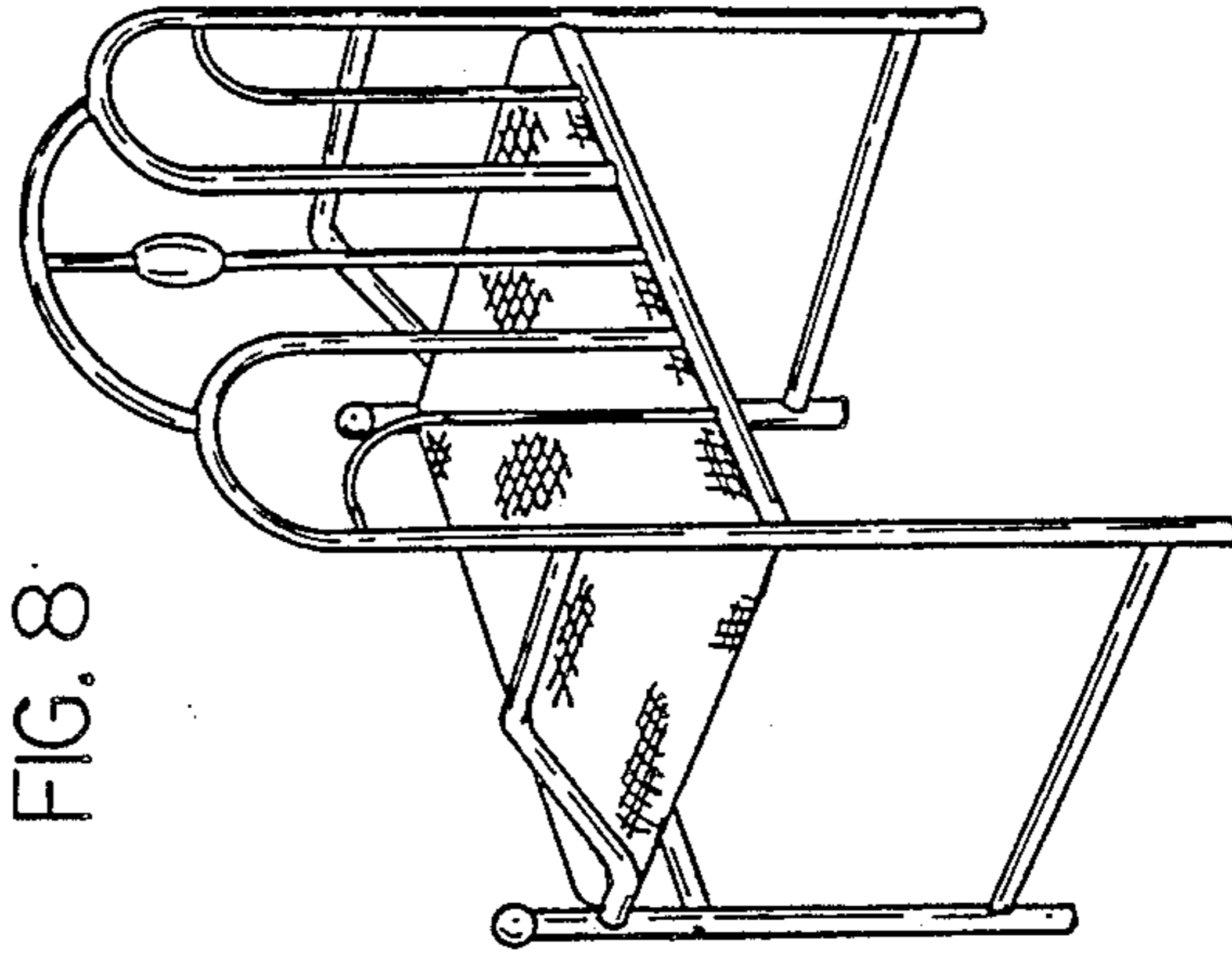


FIG. 8

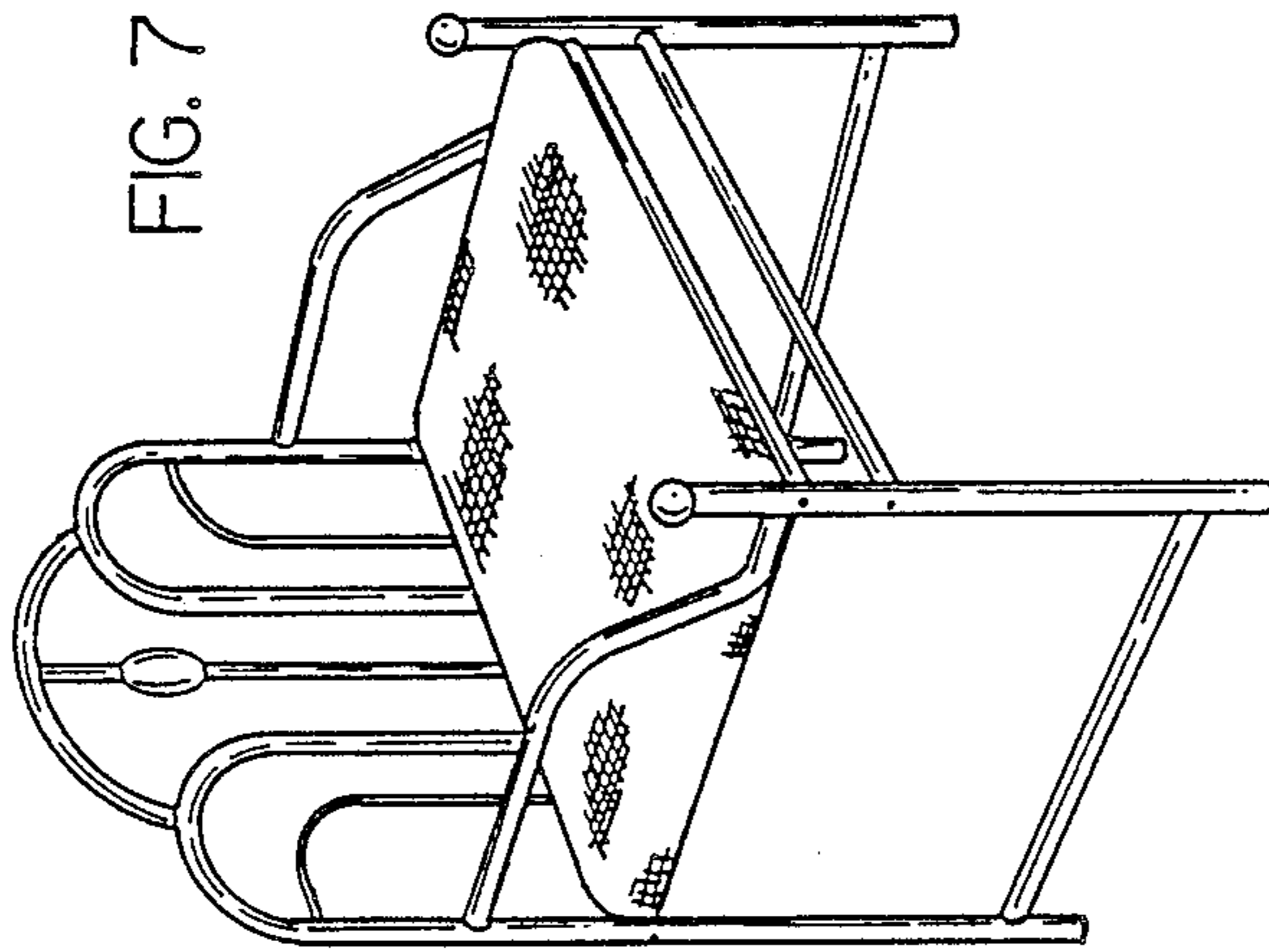


FIG. 7