

[54] CHAIR

[75] Inventors: Larry A. Schwartz, Hartsdale; Terrence Gibbs, Nyack, both of N.Y.

[73] Assignee: Omni Products International, Inc., Fairfield, N.J.

[**] Term: 14 Years

[21] Appl. No.: 38,582

[22] Filed: Apr. 14, 1987

[52] U.S. Cl. D6/373; D6/379

[58] Field of Search D6/379, 380, 370, 334

[56] References Cited

U.S. PATENT DOCUMENTS

D. 183,887	11/1958	Jensen	D6/370
D. 285,875	9/1986	Goldman	D6/379
D. 291,391	8/1987	Arthur, Jr.	D6/370
D. 294,436	3/1988	Colby	D6/379
D. 296,628	7/1988	Glass	D6/370
D. 296,848	7/1988	Colby	D6/379

OTHER PUBLICATIONS

Brown Jordan Catalog, ©1983, p. 1, chair, left or right front.

Primary Examiner—Bruce W. Dunkins
Assistant Examiner—Ann Hunt
Attorney, Agent, or Firm—Lerner, David, Littenberg, Krumholz & Mentlik

[57] CLAIM

The ornamental design for a chair, as shown and described.

DESCRIPTION

FIG. 1 is a front perspective view of the chair showing our new design, on an enlarged scale;
FIG. 2 is a front elevational view;
FIG. 3 is a rear elevational view;
FIG. 4 is a right side elevational view;
FIG. 5 is a left side elevational view;
FIG. 6 is a top plan view; and
FIG. 7 is a bottom plan view thereof.

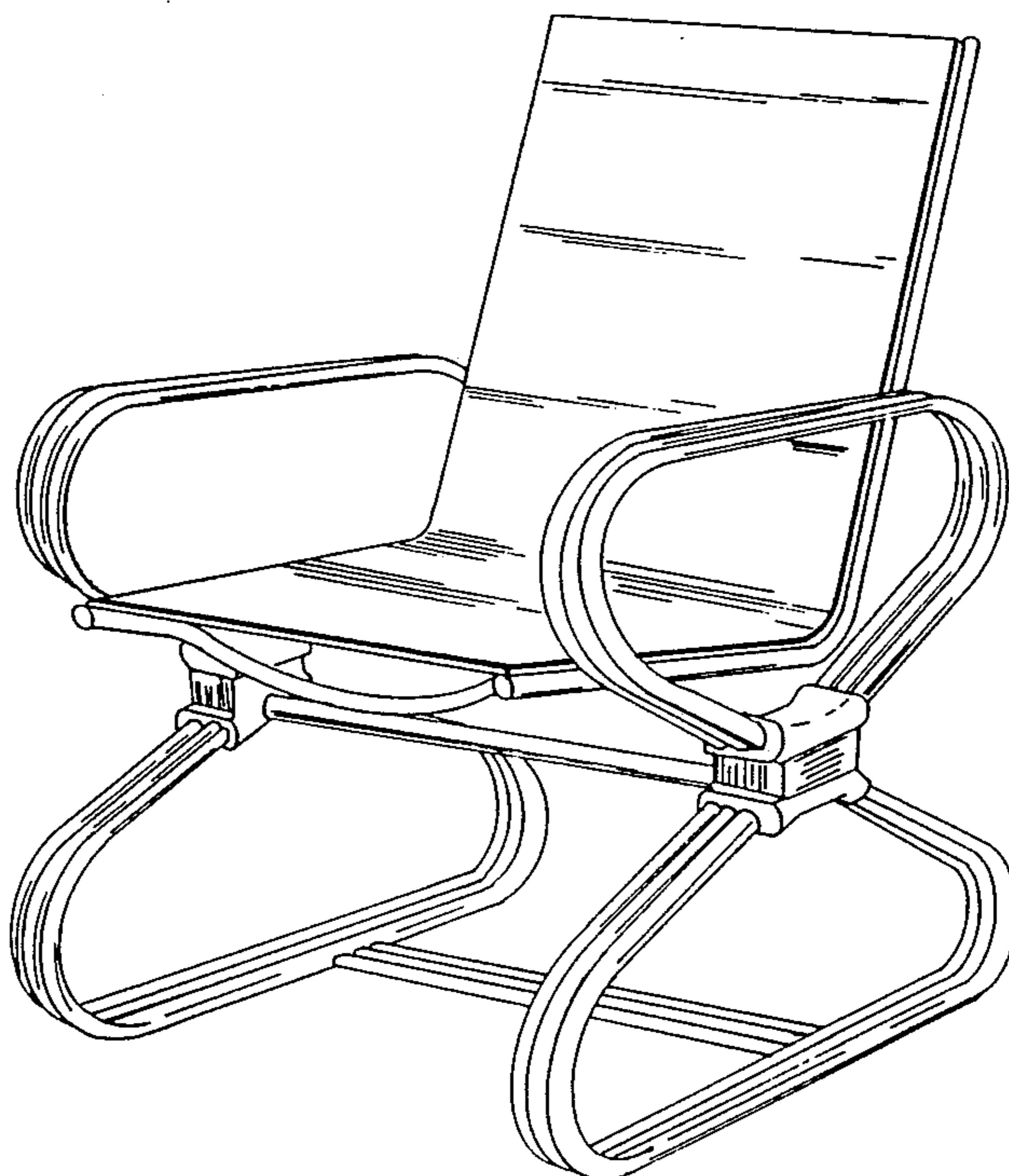


FIG. 1

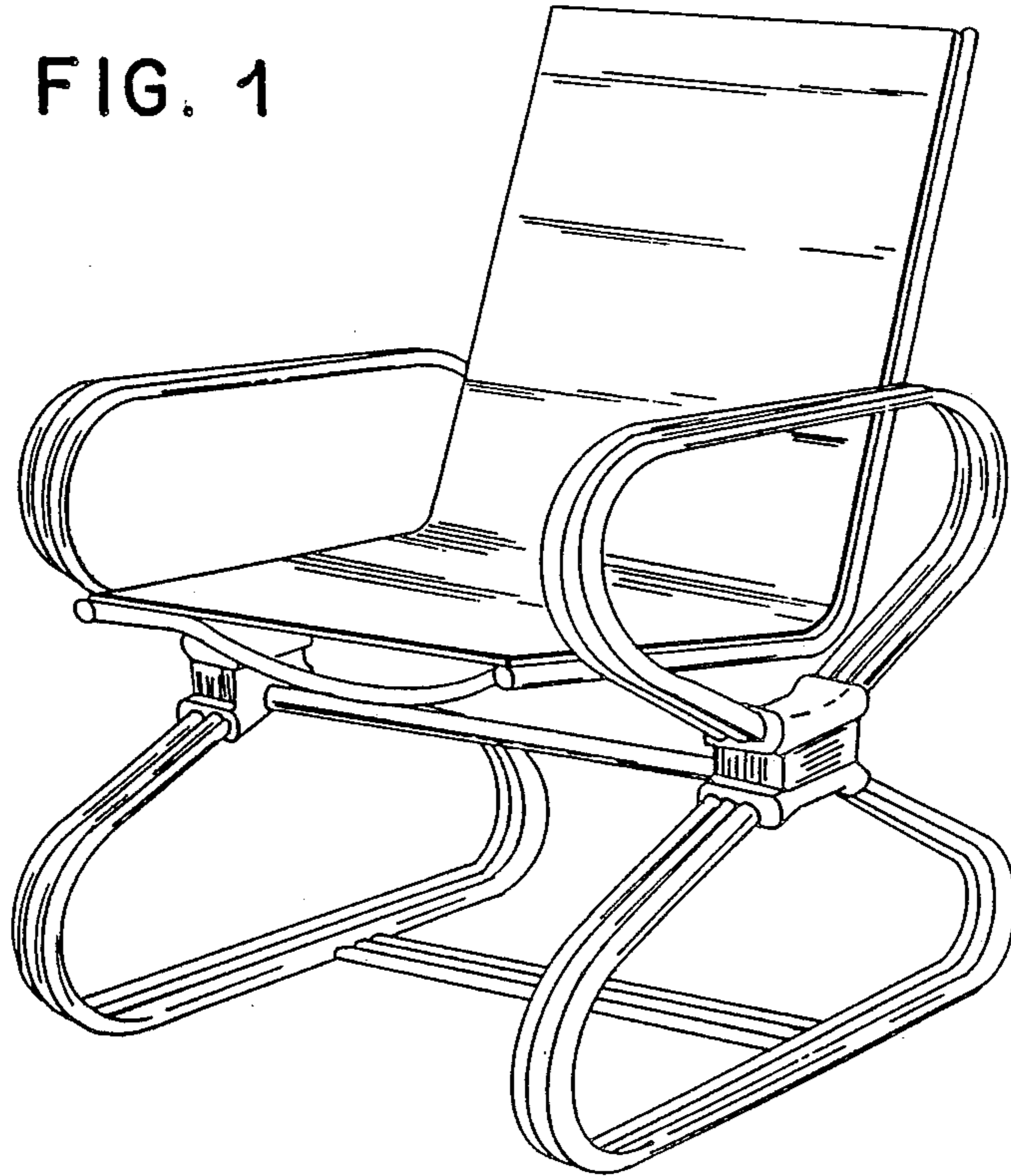


FIG. 2

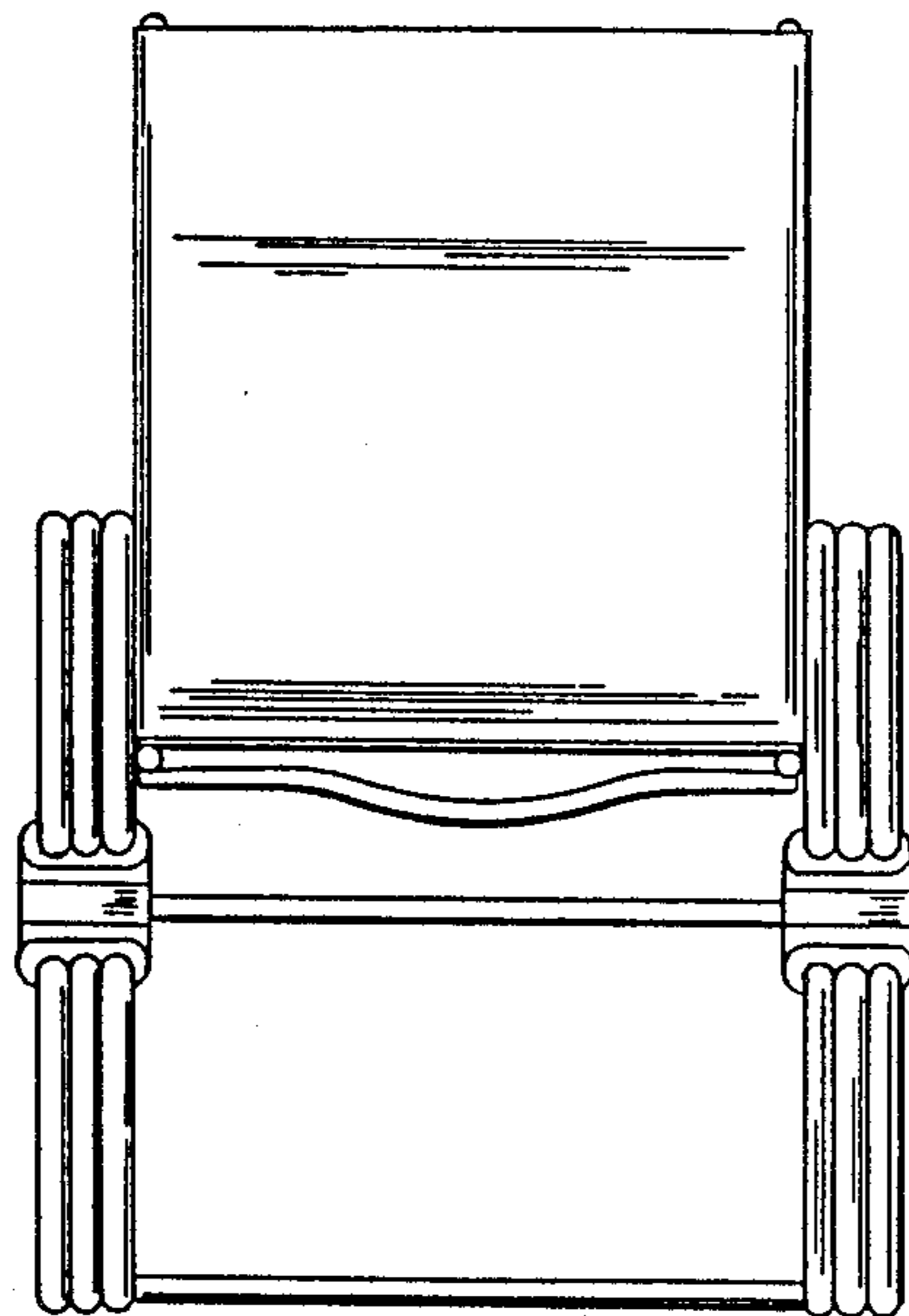


FIG. 3

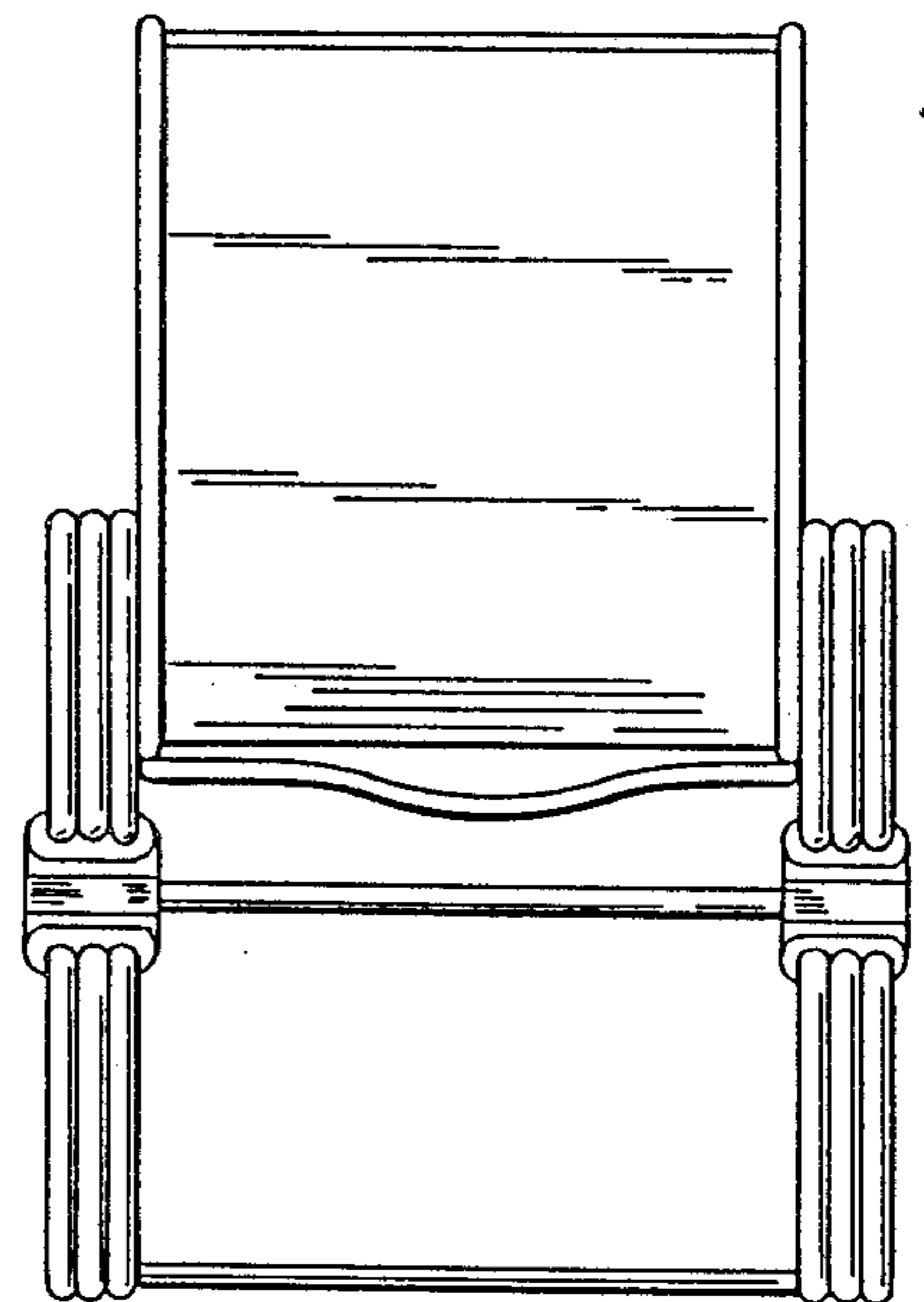


FIG. 4

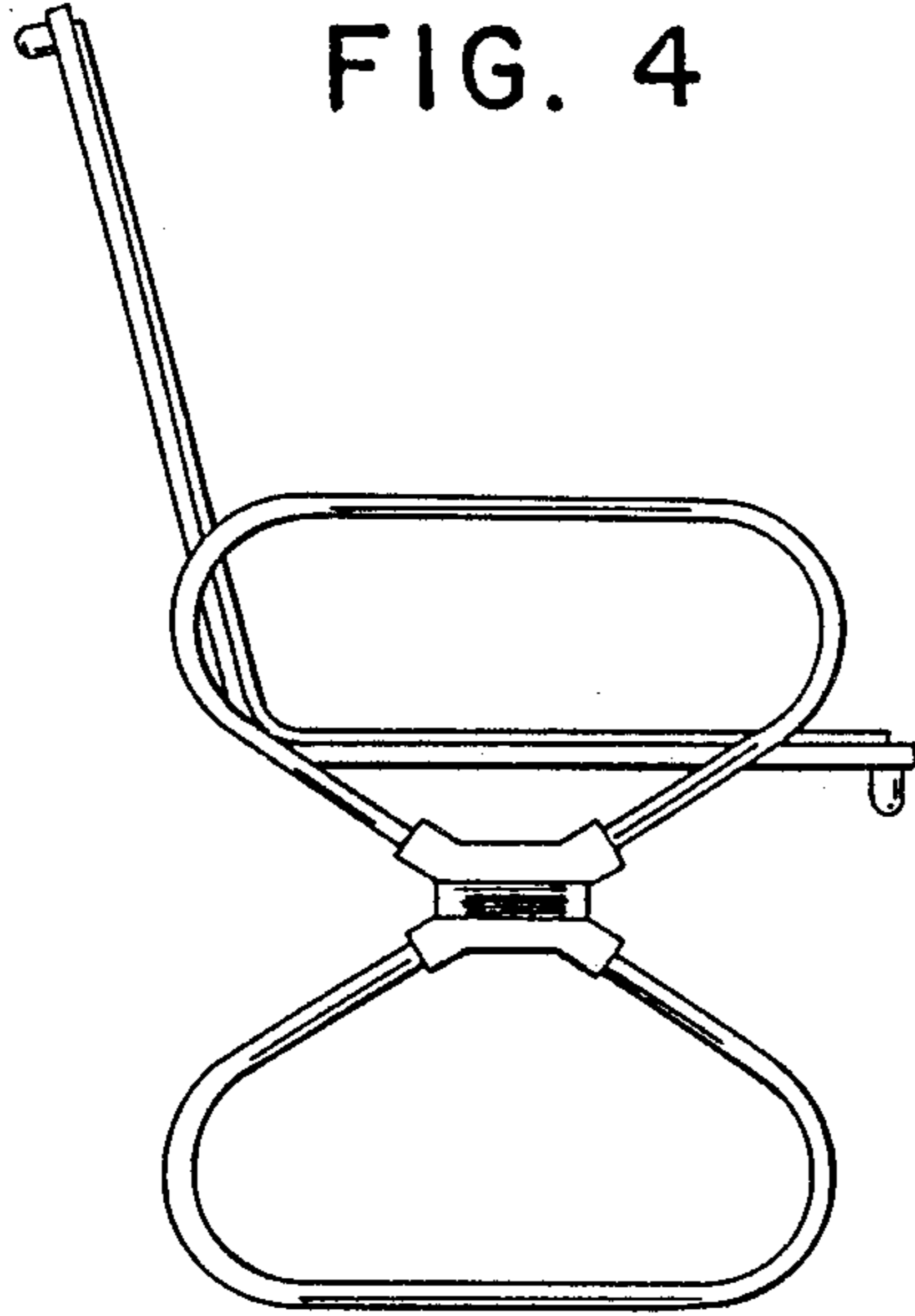


FIG. 5

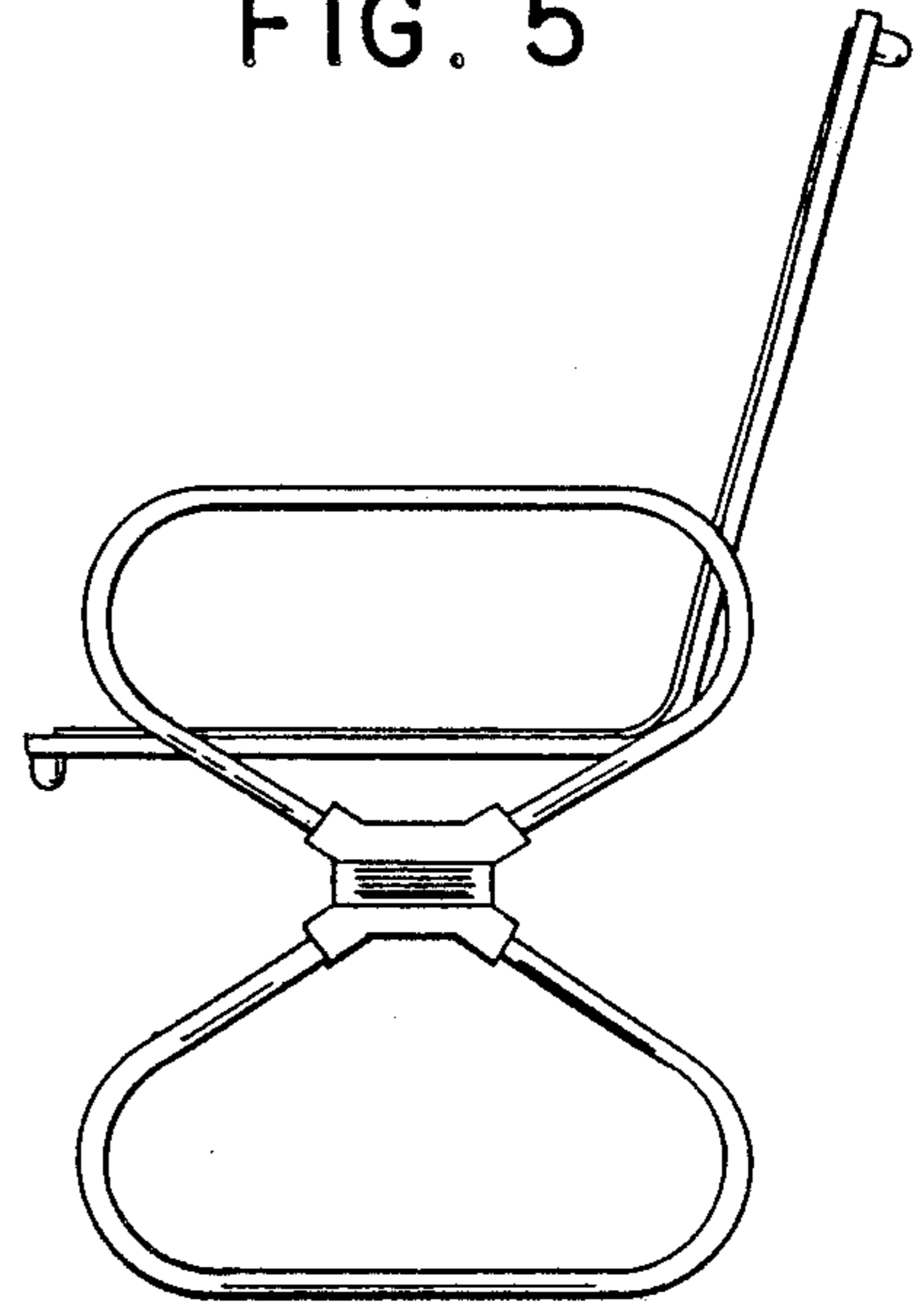


FIG. 6

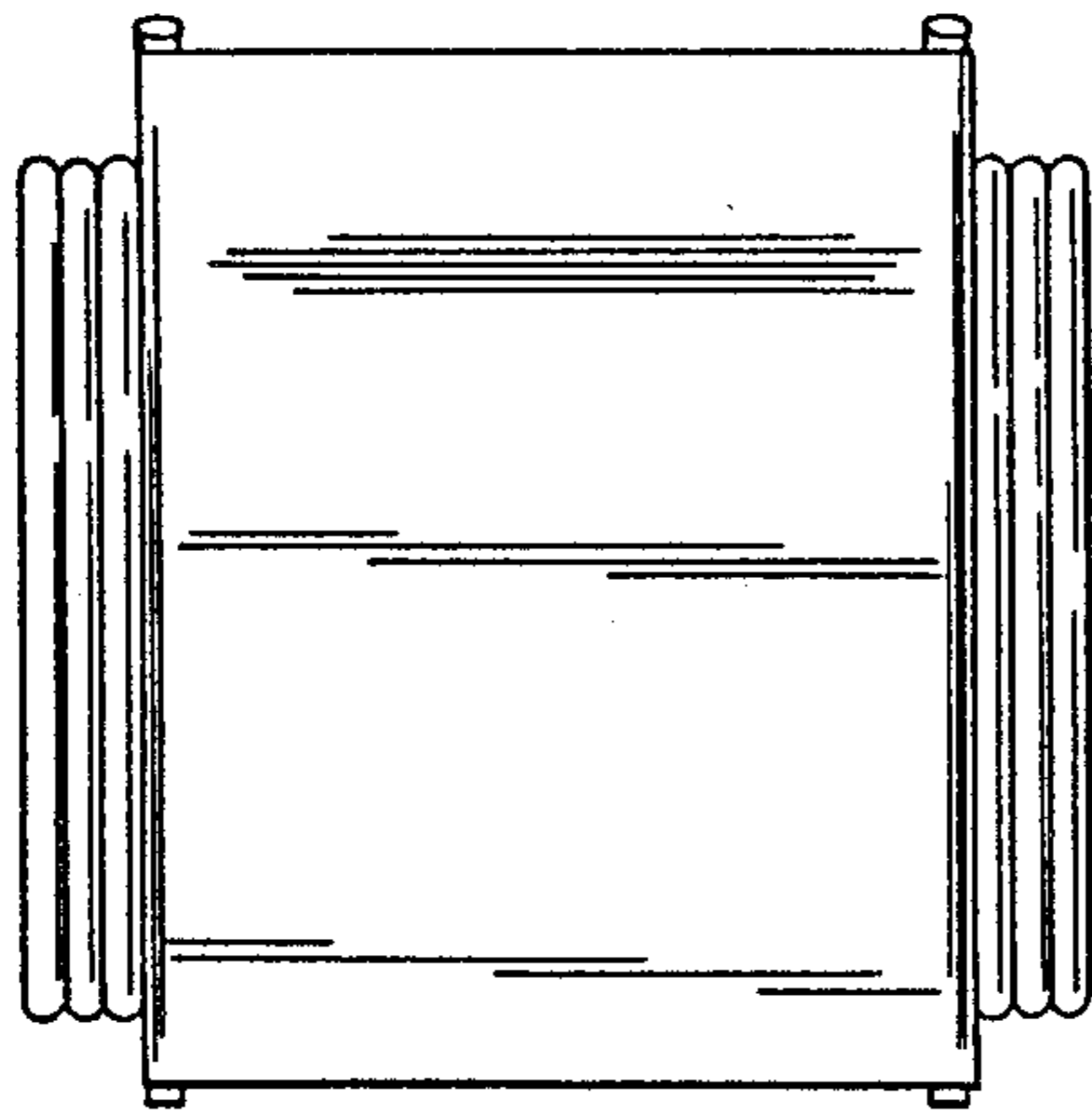


FIG. 7

