

[54] **ILLUMINATED PICTURE FRAME**

[76] **Inventors: Dov Z. Glucksman**, 137 Larch Row, Wenham, Mass. 01984; **Paul K. Cohen**, 23 Fifer La., Lexington, Mass. 02173; **Jorg Ratzlaff**, 617 Hudson St., New York, N.Y. 10014

[**] **Term: 14 Years**

[21] **Appl. No.: 79,957**

[22] **Filed: Jul. 31, 1987**

[52] **U.S. Cl. D6/308**

[58] **Field of Search D6/300-314; 40/152, 152.1, 152.2, 155, 581, 361; 362/135; D26/24**

[56] **References Cited**

U.S. PATENT DOCUMENTS

D. 269,838 7/1983 Altonaga D6/300

Primary Examiner—Bernard Ansher
Assistant Examiner—Terry A. Pfeffer
Attorney, Agent, or Firm—Leydig, Voit & Mayer

[57] **CLAIM**

The ornamental design for the illuminated picture frame, as shown and described.

DESCRIPTION

FIG. 1 is a front elevational view of an illuminated picture frame showing our new design; FIG. 2 is a right side elevational view thereof; FIG. 3 is a left side elevational view thereof; FIG. 4 is a rear elevational view thereof; FIG. 5 is a top plan view thereof; and FIG. 6 is a bottom plan view thereof.

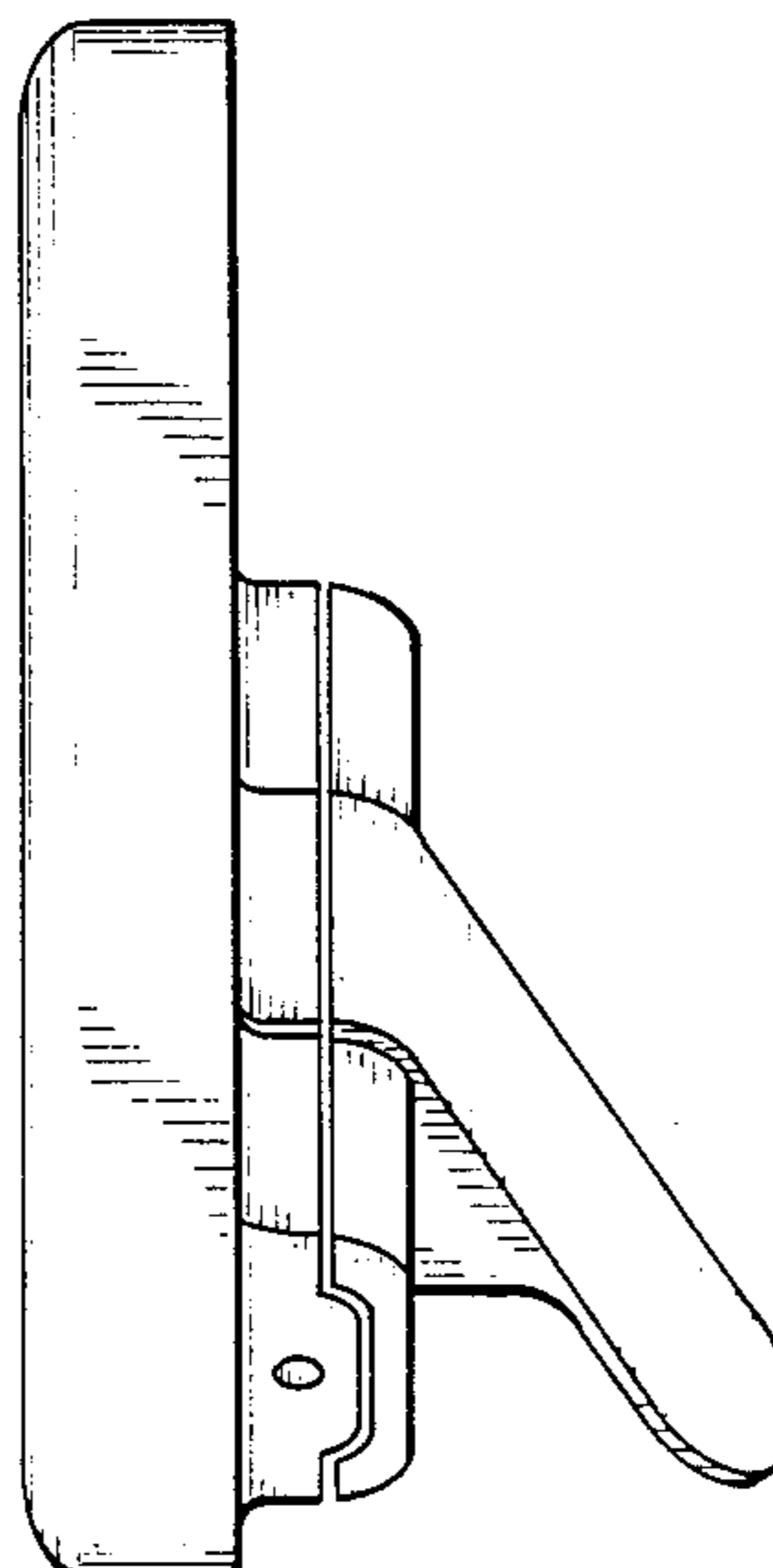
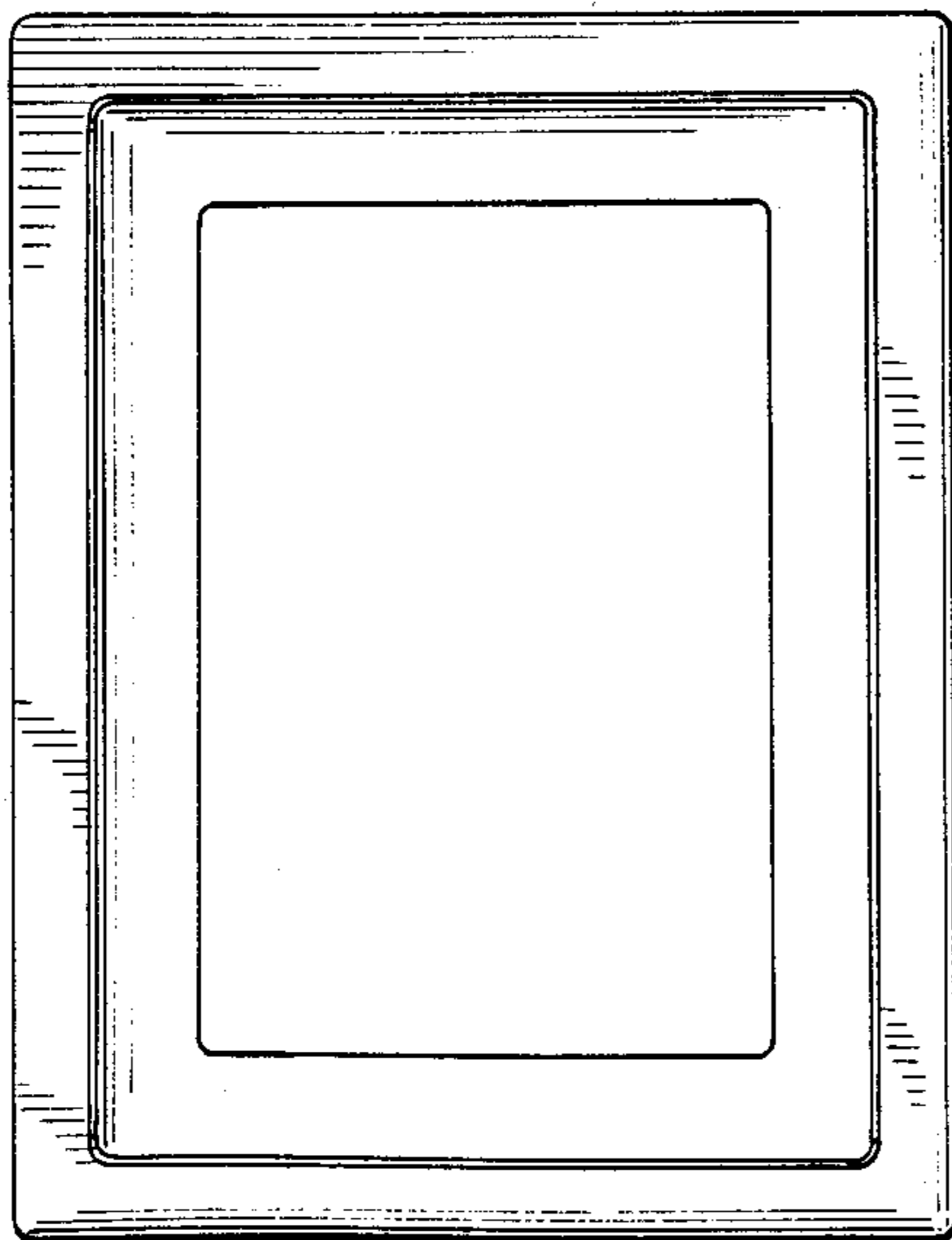


FIG. 2

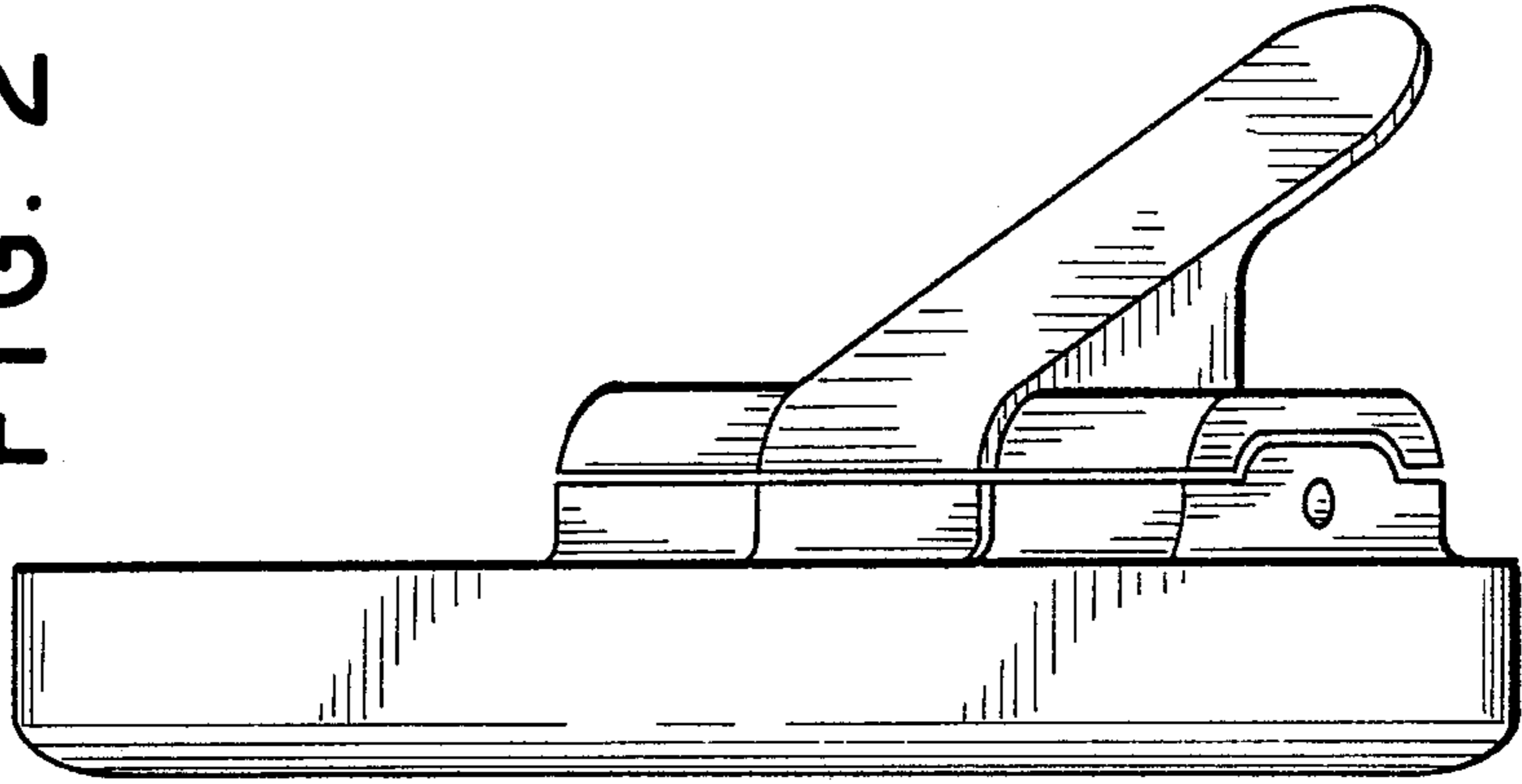


FIG. 1

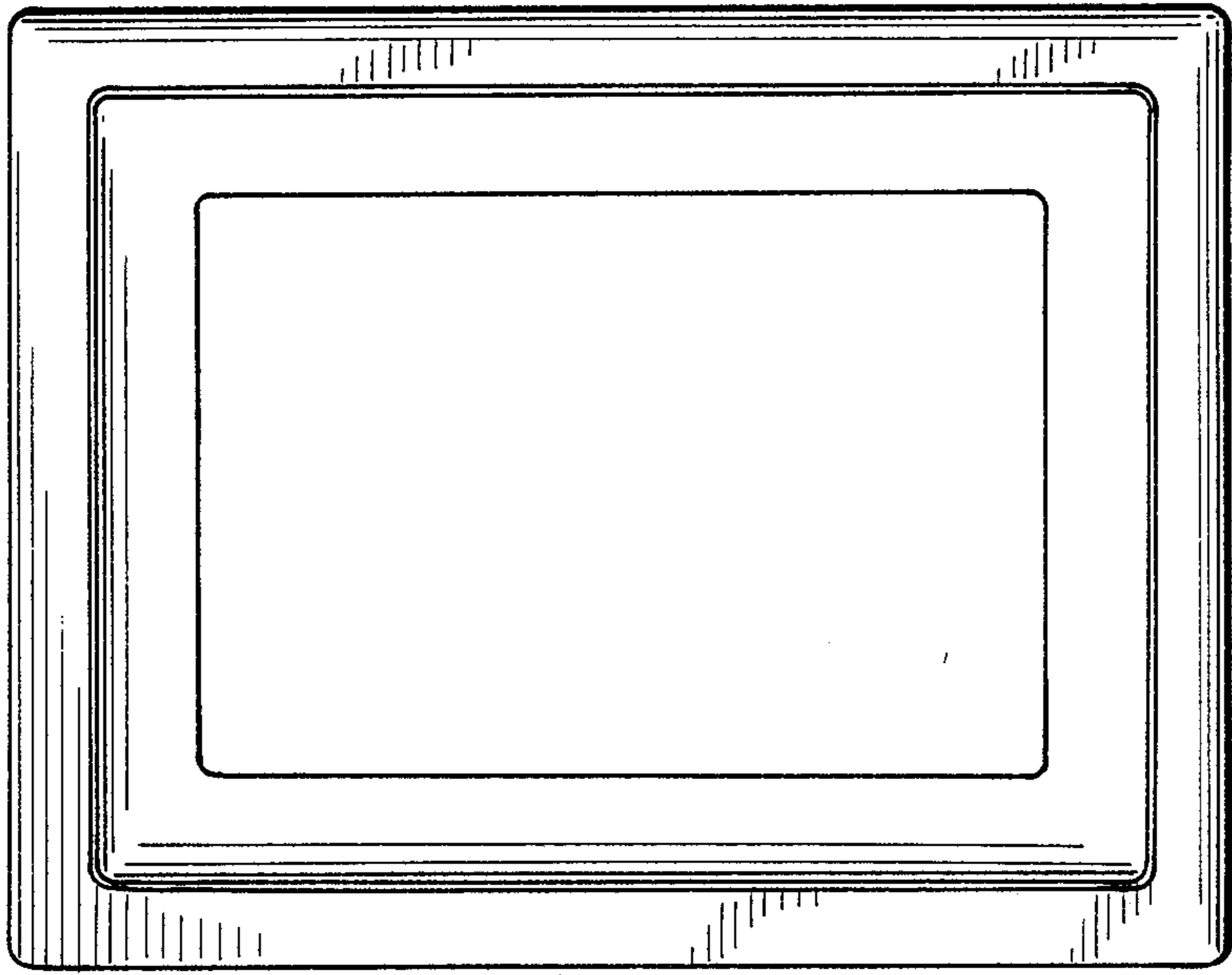
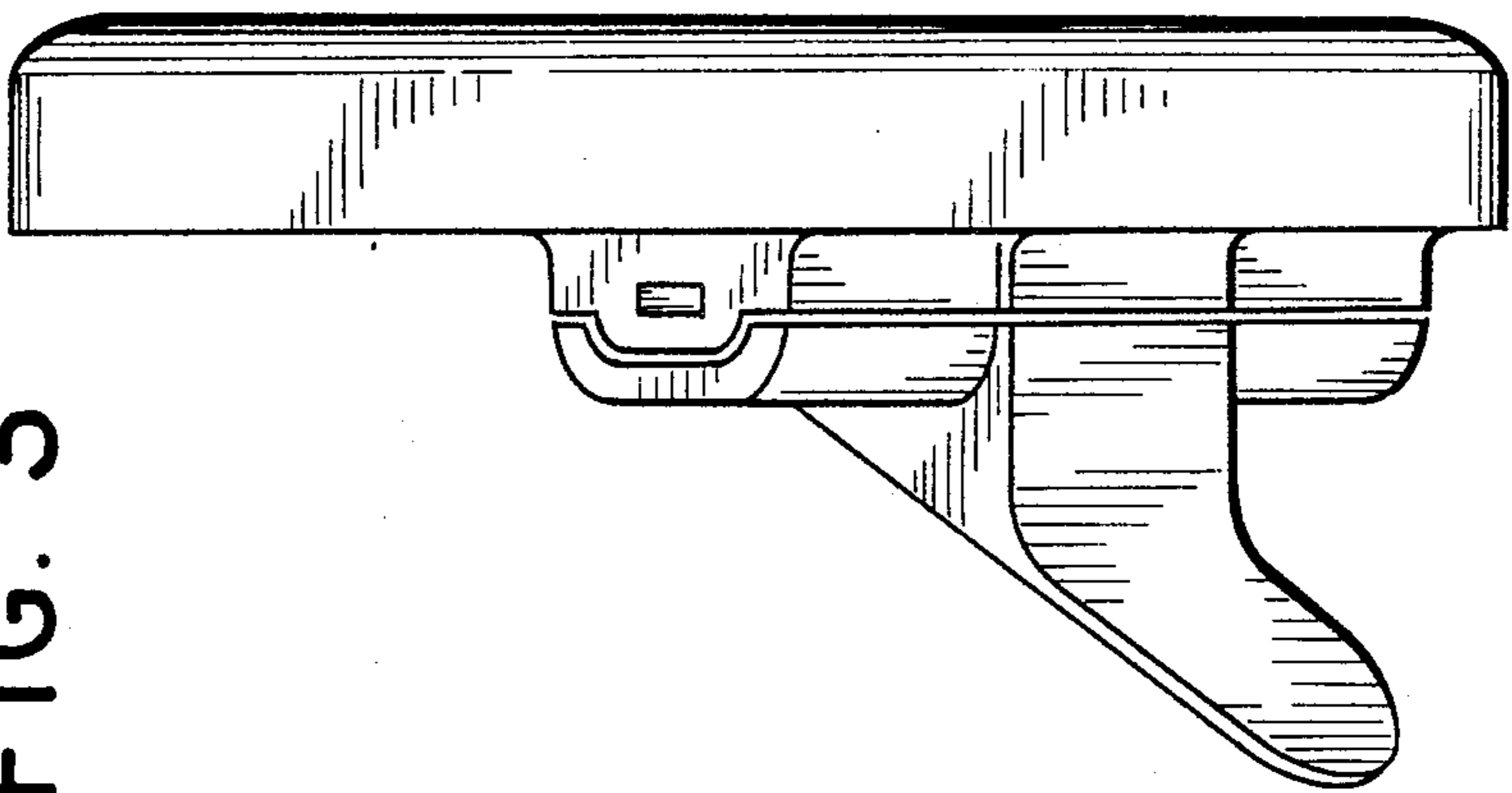


FIG. 3



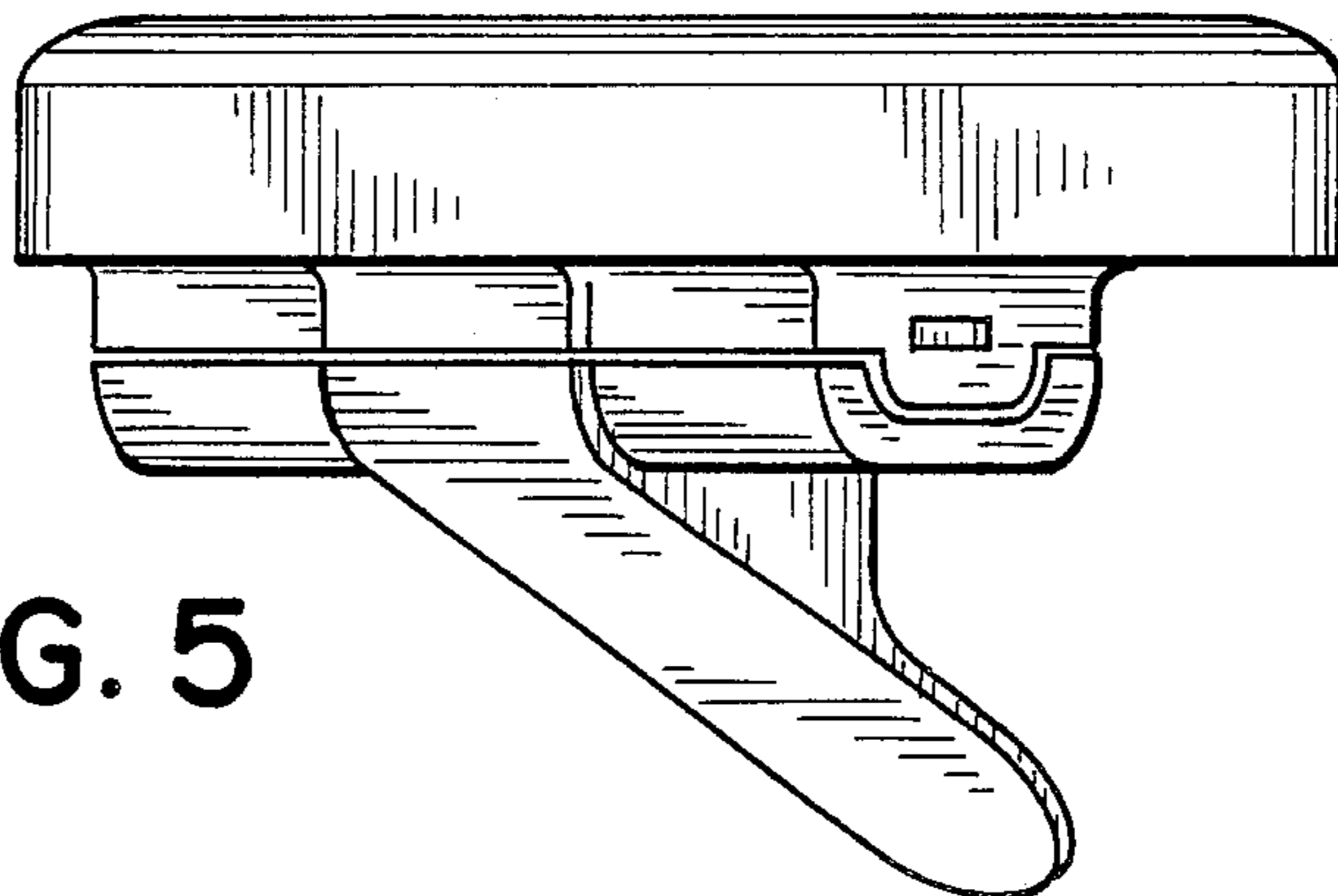


FIG. 5

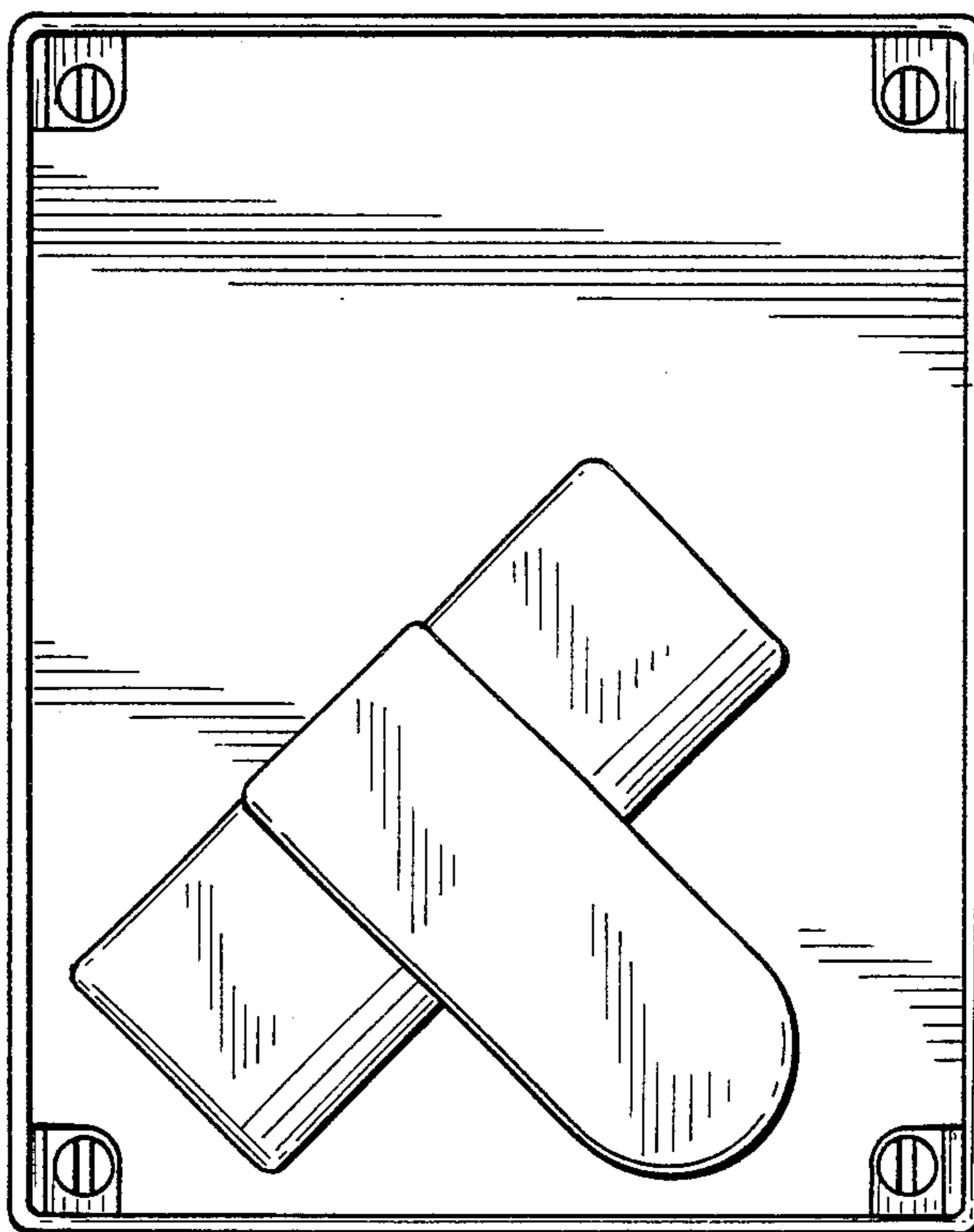


FIG. 4

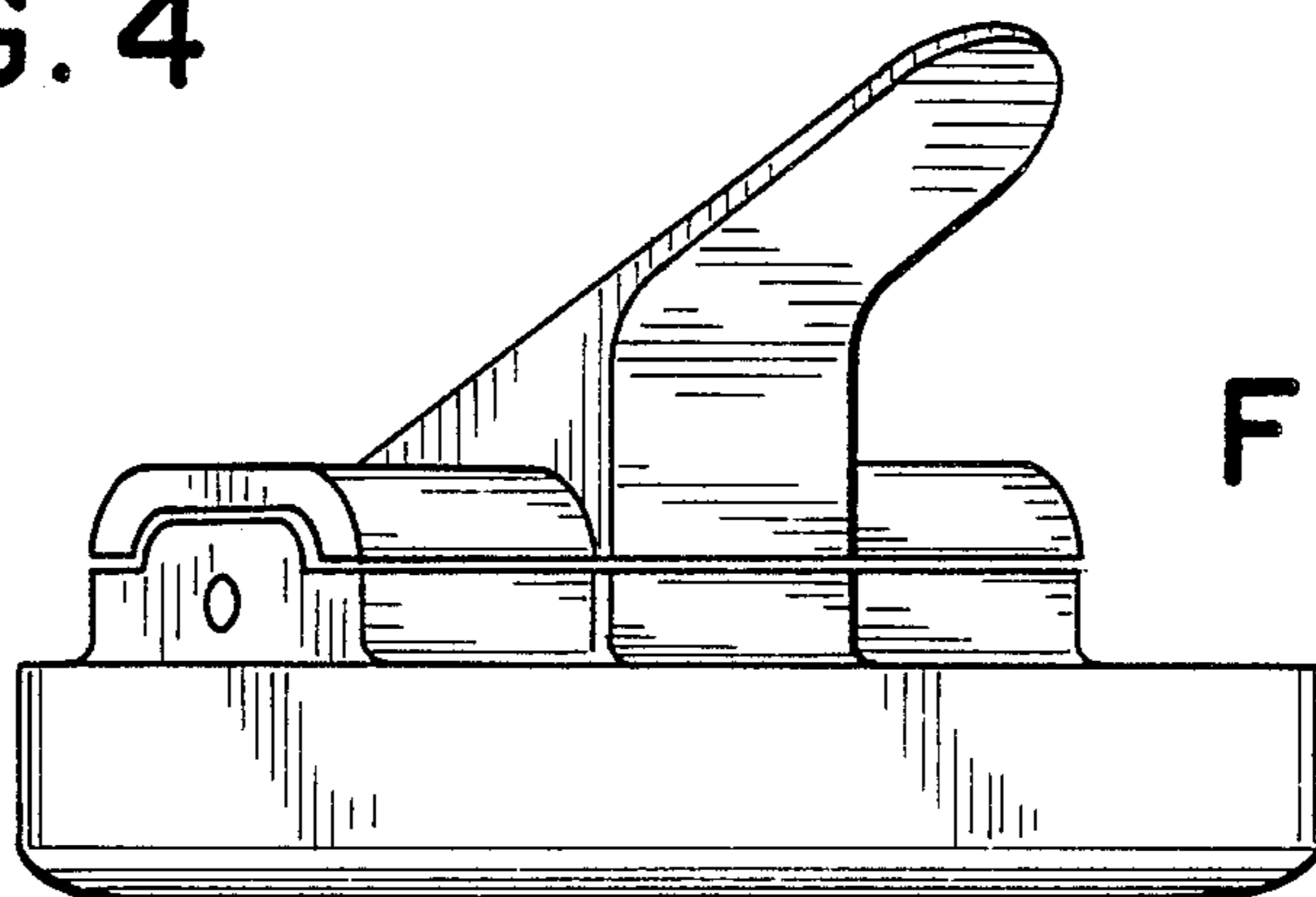


FIG. 6