

United States Patent [19]

Takeuchi

[11] Patent Number: Des. 311,819

[45] Date of Patent: ** Nov. 6, 1990

[54] SUITCASE

[75] Inventor: Tadao Takeuchi, Tokyo, Japan

[73] Assignee: Matsuzaki Industry Co., Ltd., Tokyo, Japan

[**] Term: 14 Years

[21] Appl. No.: 59,269

[22] Filed: Jun. 8, 1987

[30] Foreign Application Priority Data

Dec. 16, 1986 [JP] Japan 61-49747

[52] U.S. Cl. D3/76; D3/35

[58] Field of Search D3/76, 72, 74, 35;
190/18 A, 115

[56] References Cited

U.S. PATENT DOCUMENTS

D. 190,271 5/1961 Sherman D3/76
D. 262,074 12/1981 Schnabel D3/76
D. 272,966 3/1984 Ward D3/76

3,294,206 12/1966 Gehrie D3/76 X
3,805,929 4/1974 Kuwayama 190/115 X

OTHER PUBLICATIONS

Travelware, Apr. 1985, Zero Halliburton Suitcase, p. 21.

Primary Examiner—A. Hugo Word

Assistant Examiner—Doris V. Coles

[57] CLAIM

The ornamental design for a suitcase, as shown and described.

DESCRIPTION

FIG. 1 is a perspective view of a suitcase showing my new design.

FIG. 2 is a front elevational view thereof.

FIG. 3 is a rear elevational view thereof.

FIG. 4 is a top plan view thereof.

FIG. 5 is a bottom plan view thereof.

FIG. 6 is a right side elevational view, the left side being a mirror image thereof.

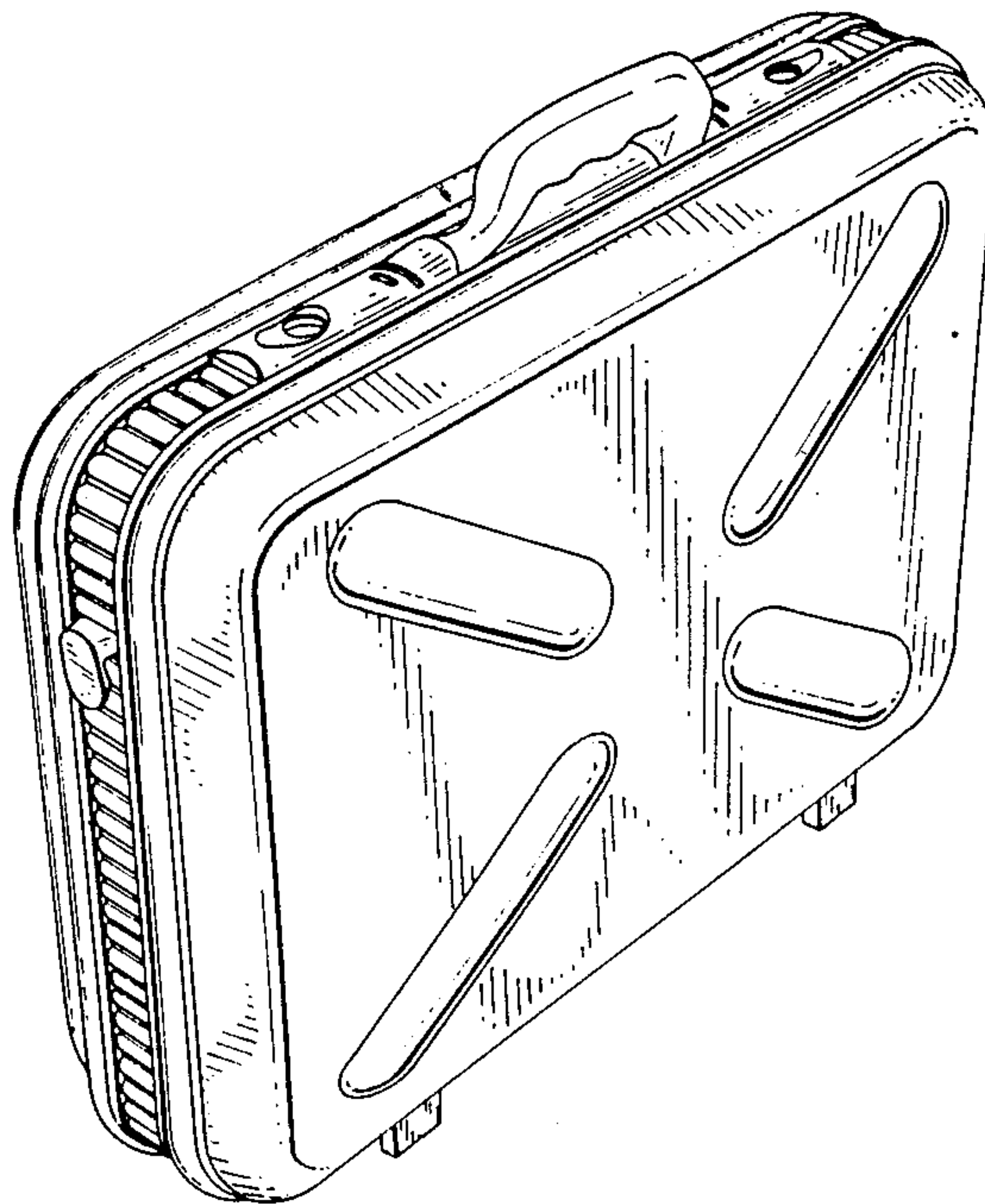


FIG. 1

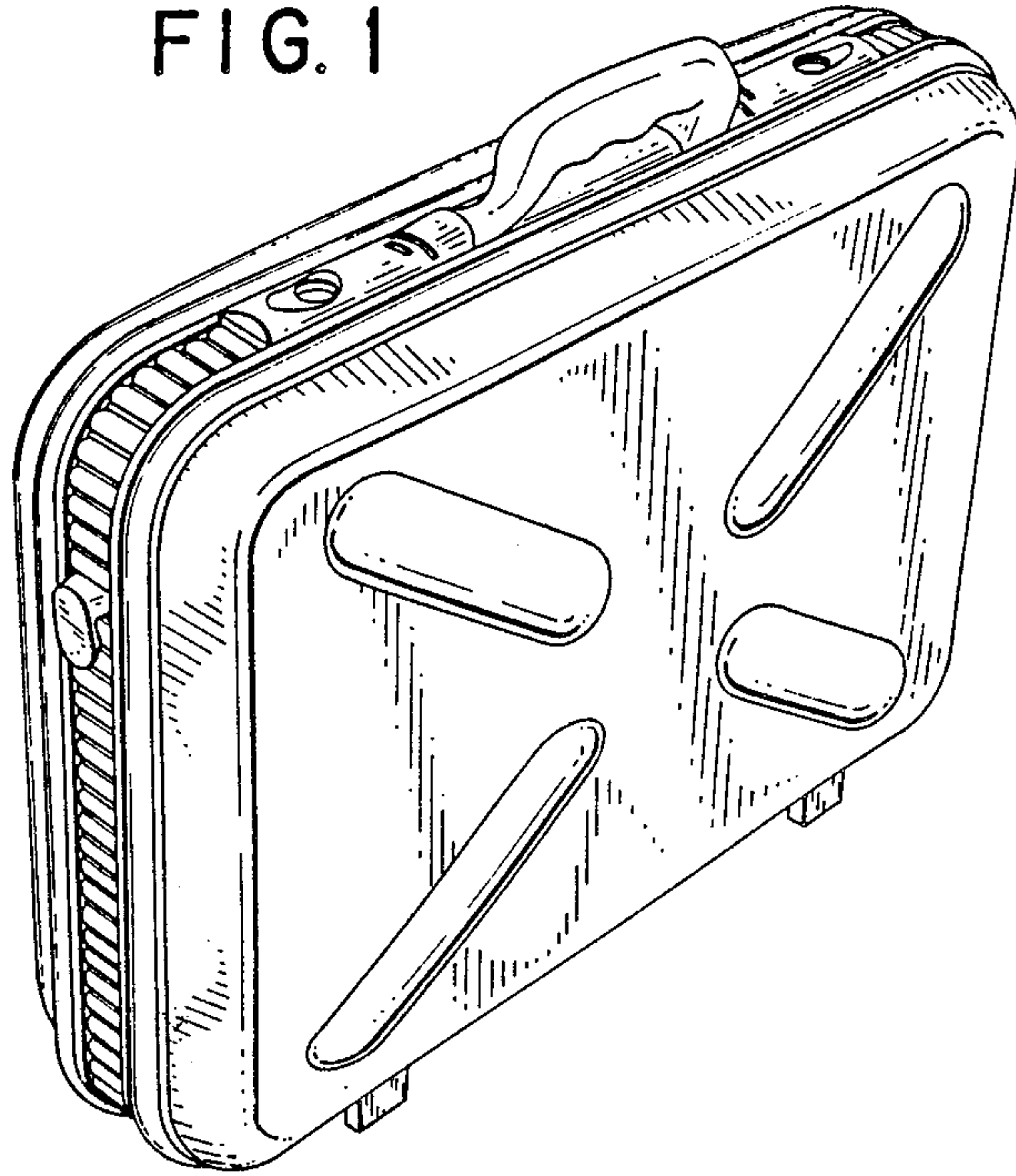


FIG. 6

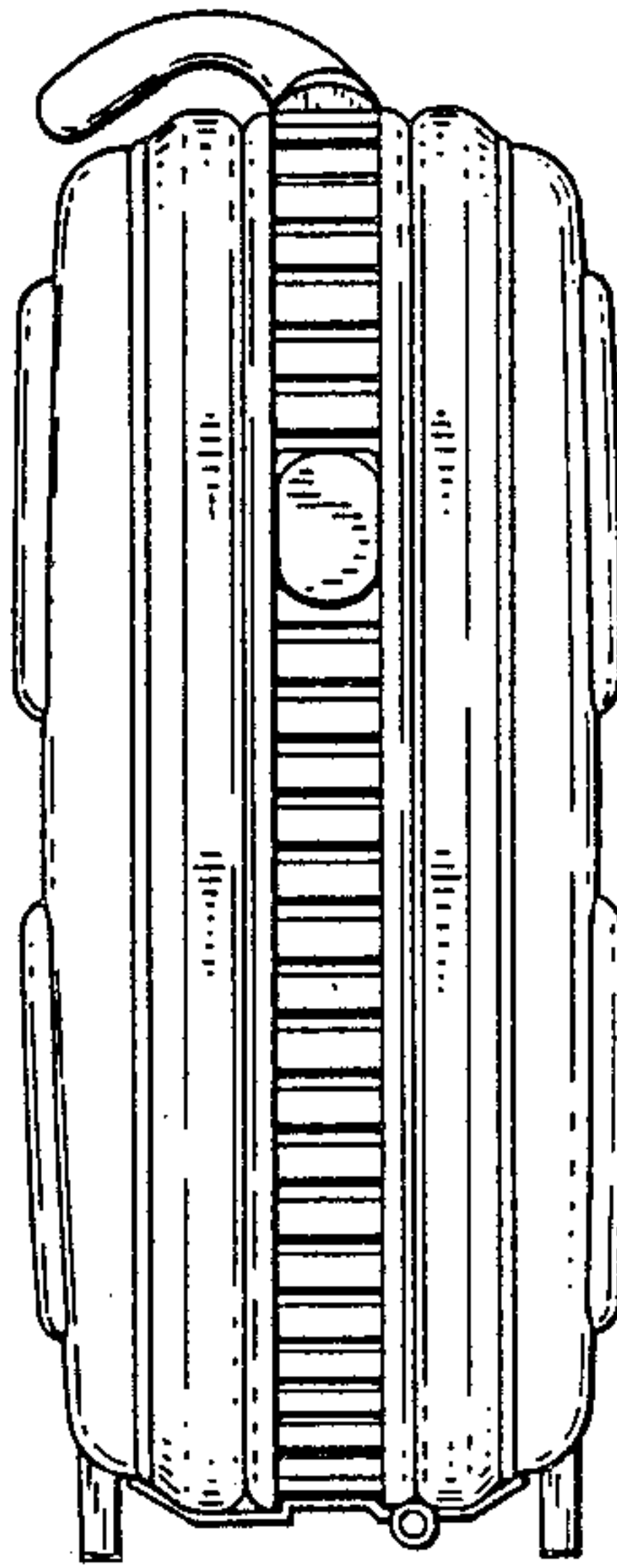


FIG. 2

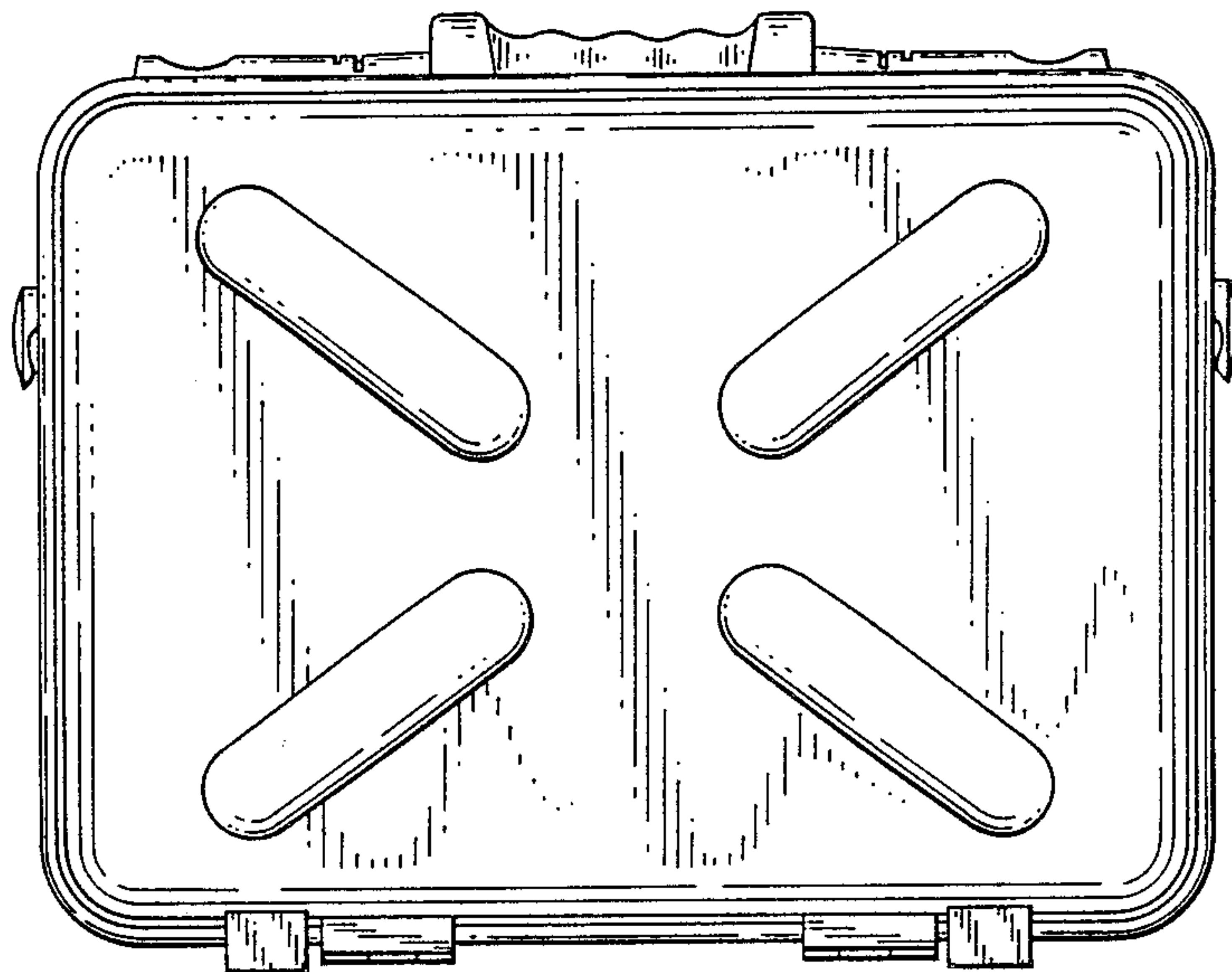


FIG. 3

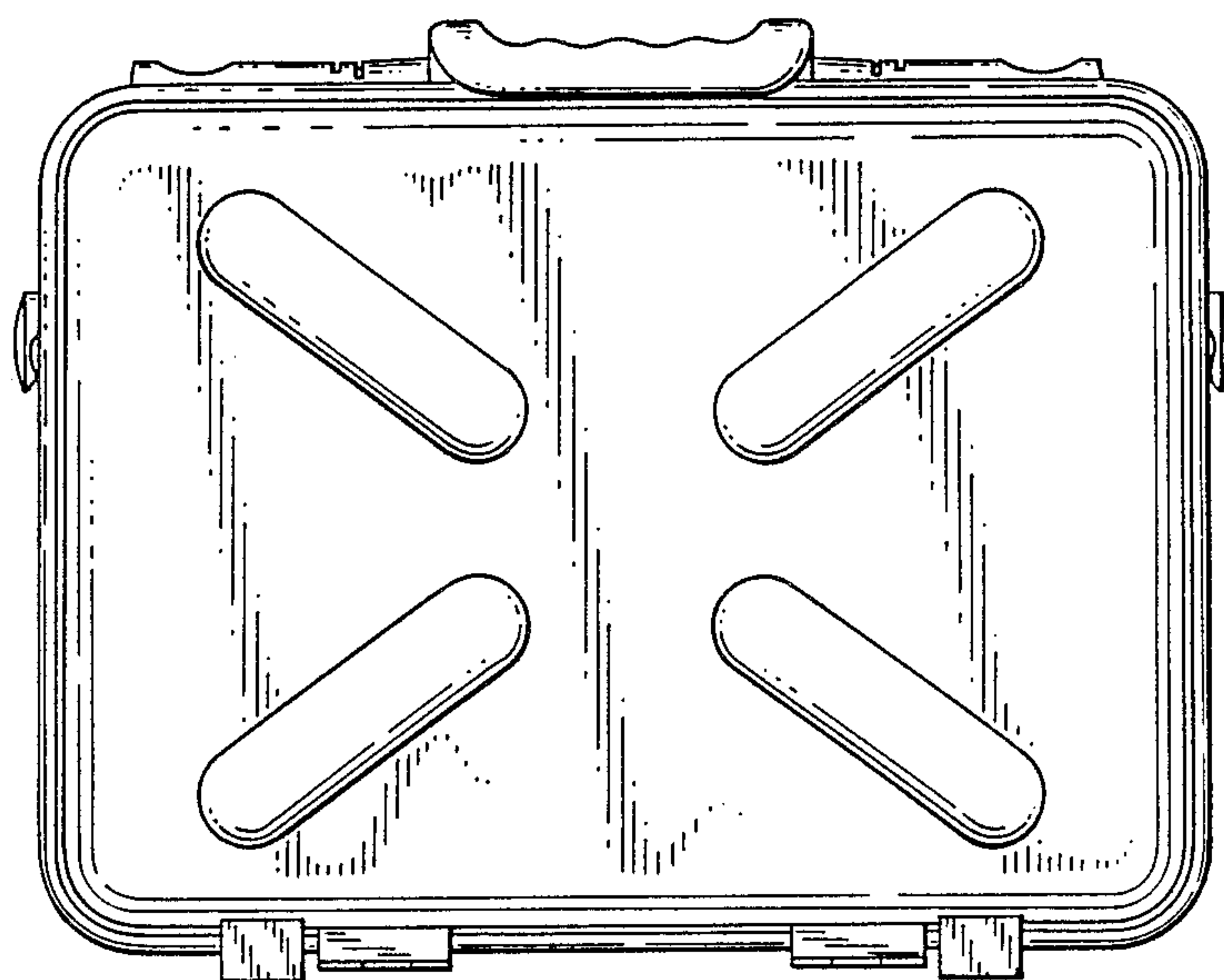


FIG. 4

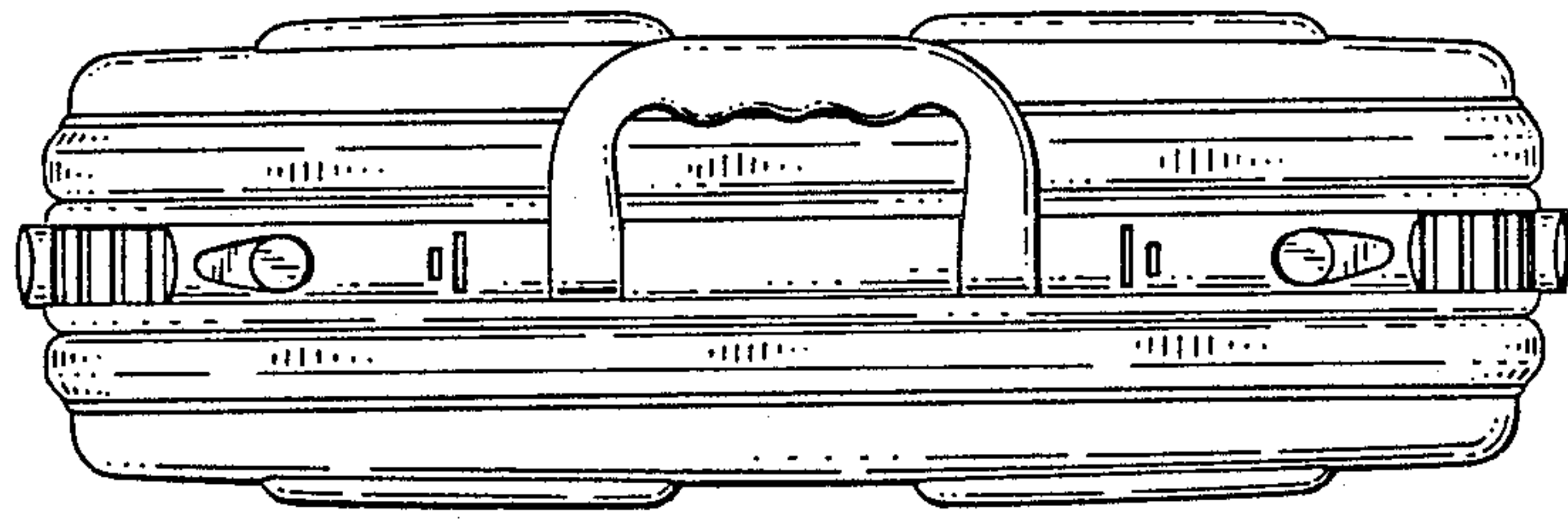


FIG. 5

