

# United States Patent [19]

Eliasson

[11] Patent Number: **Des. 311,804**

[45] Date of Patent: **\*\* Oct. 30, 1990**

[54] **SLING FOR LIFTING A DISABLED PERSON**

[75] Inventor: **Rolf Eliasson, Vilhelmina, Sweden**

[73] Assignee: **Landstingens Inkopscentral, LIC,  
Ekonomisk Forening, Solna, Sweden**

[\*\*] Term: **14 Years**

[21] Appl. No.: **117,146**

[22] Filed: **Nov. 5, 1987**

[30] **Foreign Application Priority Data**

May 14, 1987 [SE] Sweden ..... 87-1097

[52] U.S. Cl. .... **D34/28; D12/128**

[58] Field of Search ..... **D34/28; D12/128; D29/1,  
D29/99; 5/89, 83, 86, 84, 85, 81 R, 81 B**

[56] **References Cited**

**U.S. PATENT DOCUMENTS**

274,527 3/1883 Stelle et al. .... 5/89

1,535,208 4/1925 Drennan ..... 5/89

1,878,785 9/1932 Leavitt ..... 5/86

2,663,031 12/1953 Kalthoff ..... 5/89

3,701,395 10/1972 Theobald ..... 5/89

4,138,750 2/1979 Michalowski ..... 5/81 R

4,221,011 9/1980 Flinchbaugh ..... 5/89

*Primary Examiner*—Kay H. Chin

*Attorney, Agent, or Firm*—Young & Thompson

[57] **CLAIM**

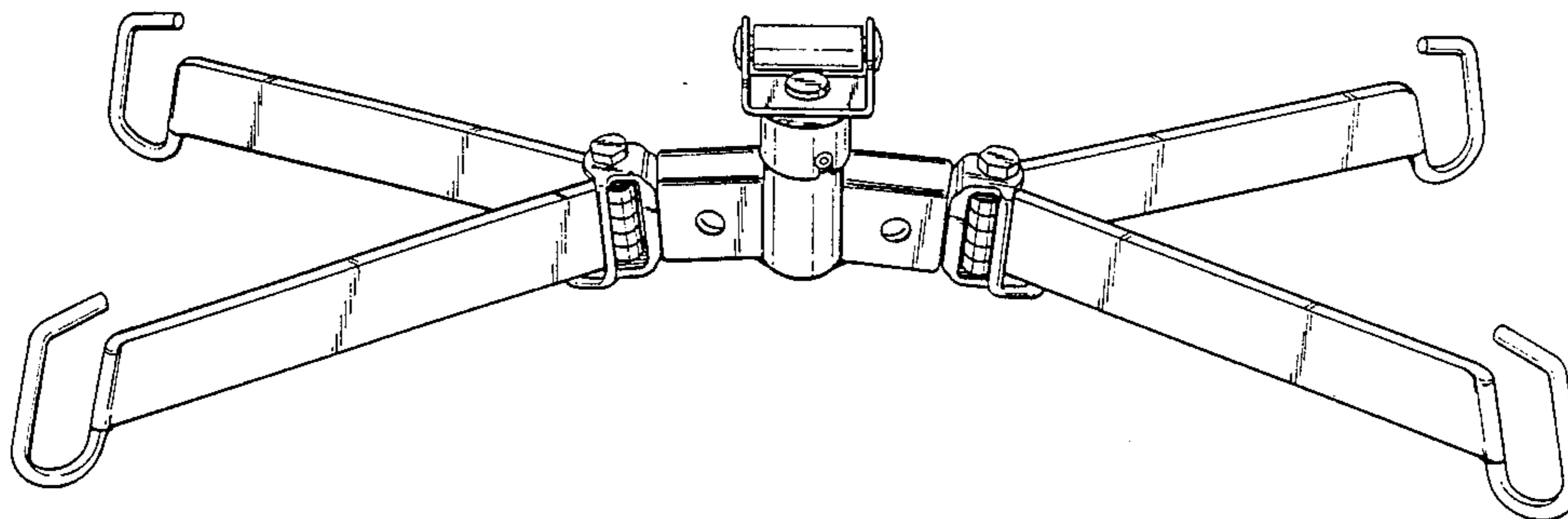
The ornamental design for a sling for lifting a disabled person, as shown and described.

### DESCRIPTION

FIG. 1 is a top and left side perspective view of a sling for lifting a disabled person showing my new design;

FIG. 2 is a bottom and right side perspective view thereof; and

FIG. 3 is a right side perspective view thereof in its unfolded condition.



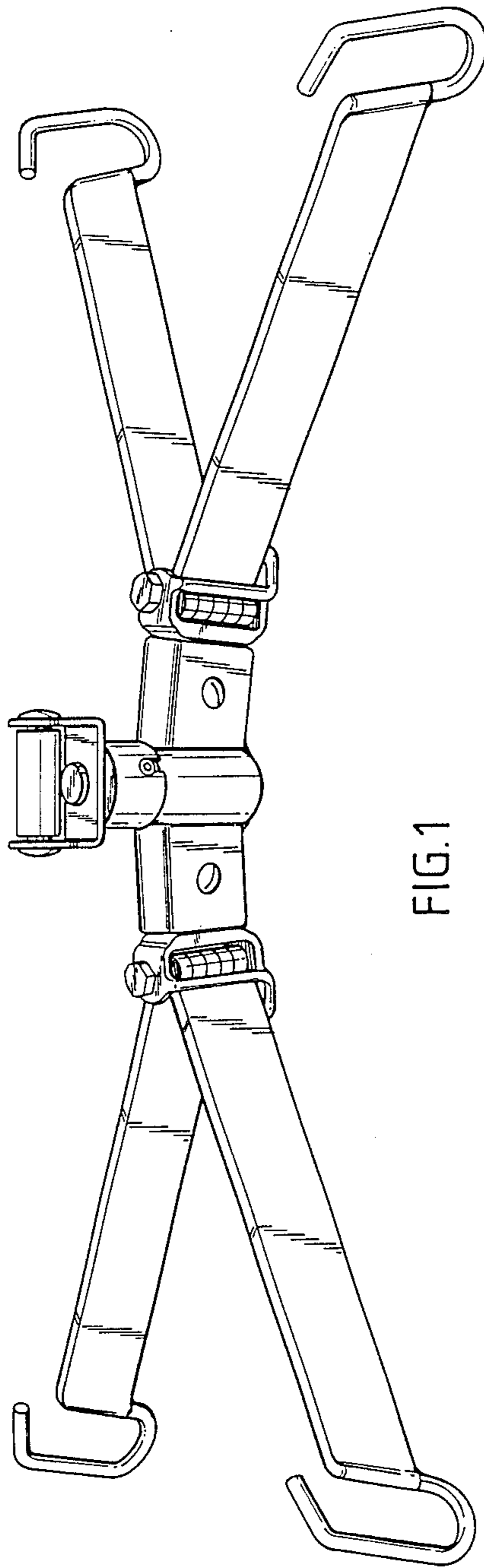


FIG.1

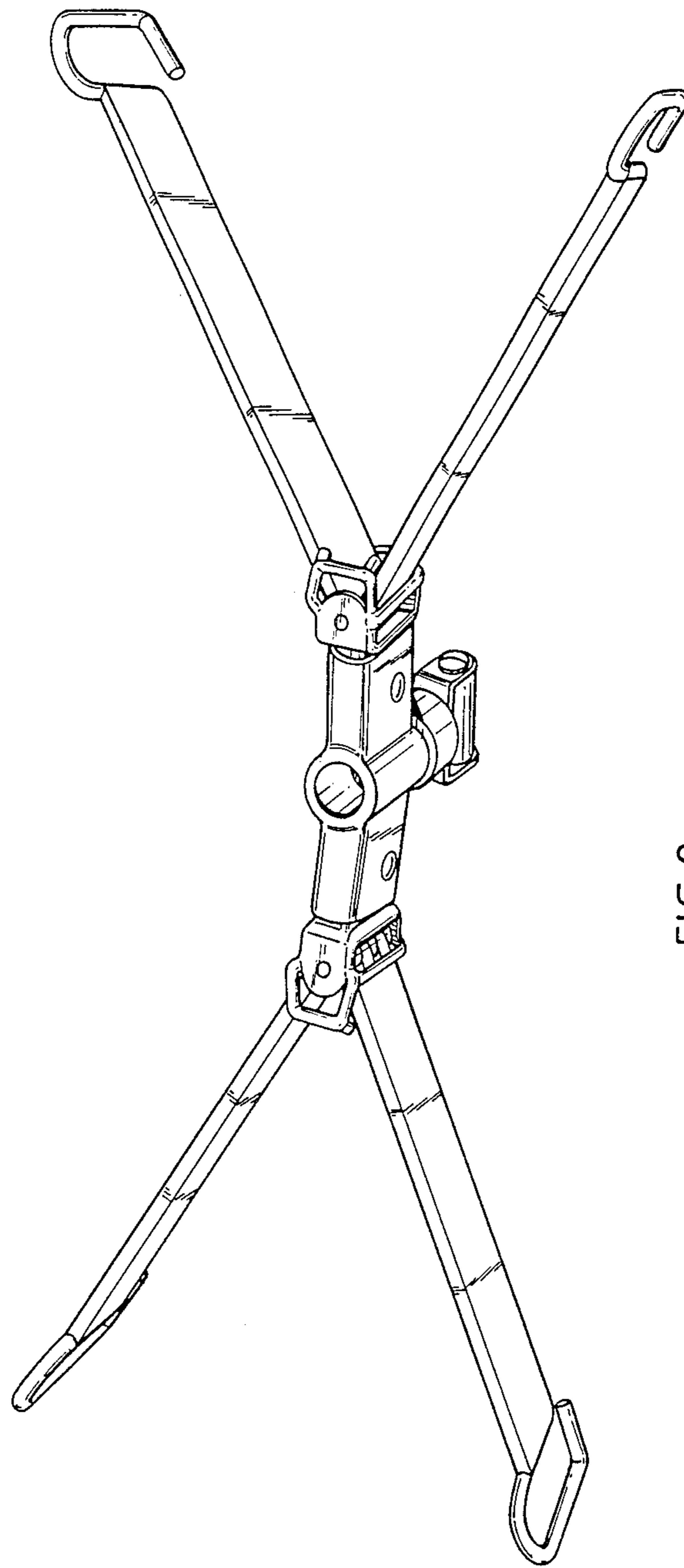


FIG. 2

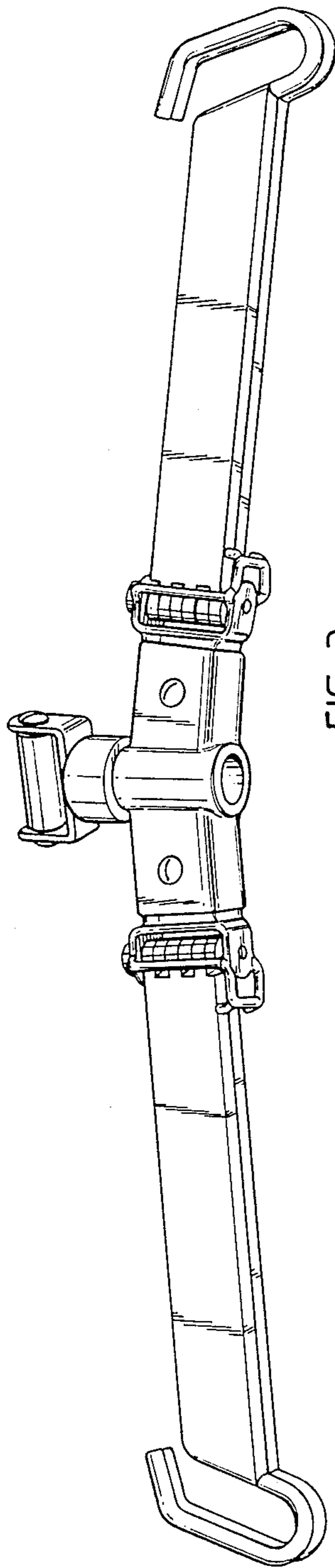


FIG. 3