

[54] PARTS BIN

[75] Inventors: Donald Embree, Copley; David L. Hamann, Cincinnati, both of Ohio

[73] Assignee: Rubbermaid Incorporated, Wooster, Ohio

[**] Term: 14 Years

[21] Appl. No.: 226,974

[22] Filed: Aug. 1, 1988

[52] U.S. Cl. D34/40

[58] Field of Search D34/40-46; 211/126, 194; 206/509, 503, 515, 518, 349

[56] References Cited

U.S. PATENT DOCUMENTS

D. 191,144	8/1961	Schanz	D34/43
D. 205,866	9/1966	Asenbauer	D34/40
D. 224,369	7/1972	Mears	D34/40
D. 242,659	12/1976	Clipson et al.	D34/40
D. 246,871	1/1978	Silver et al.	D34/40
D. 301,927	6/1989	Williams	D34/40
2,715,559	8/1955	Villo	206/509 X
3,113,680	8/1961	Frater et al.	211/126
3,252,614	5/1966	Evans	206/509
3,259,269	7/1966	Asenbauer	108/152
3,347,394	10/1967	Gould	206/509 X
4,015,713	4/1977	Clipson et al.	206/509

OTHER PUBLICATIONS

Sell Sheet, Trophy Products, 9714 Old Katy Rd., Houston, Tex. 77055. Publication date 1987.

Pp. 12 and 13, Akro-Mils, Box 989, Akron, Ohio. Publication date Oct. 1, 1987.

Sell Sheet, Bush Lake Industries, Inc., Shakopee, Minn. 55379. Publication date Jul., 1986.

Pp. 12 and 13, Flambeau, P.O. Box 5067, Columbus, Ind. 47202. Publication date 1987.

Pp. 2 and 3, Lewisystems Menasha Corporation, 128 Hospital Dr., Watertown, Wis. 53094-9976. Publication date Jul., 1987.

Pp. 12, 16, 20, and 24, Lewisystems Menasha Corporation, 128 Hospital Dr., Watertown, Wis. 53094. Publication date unknown.

Sell Sheet, Flair, Address Unknown. Publication date unknown.

Primary Examiner—Melvin B. Feifer

Assistant Examiner—Prabhakar Deshmukh

Attorney, Agent, or Firm—Richard B. O'Planick

[57] CLAIM

The ornamental design for a parts bin, as shown and described.

DESCRIPTION

FIG. 1 is a front perspective view of a parts bin embodying our new design.

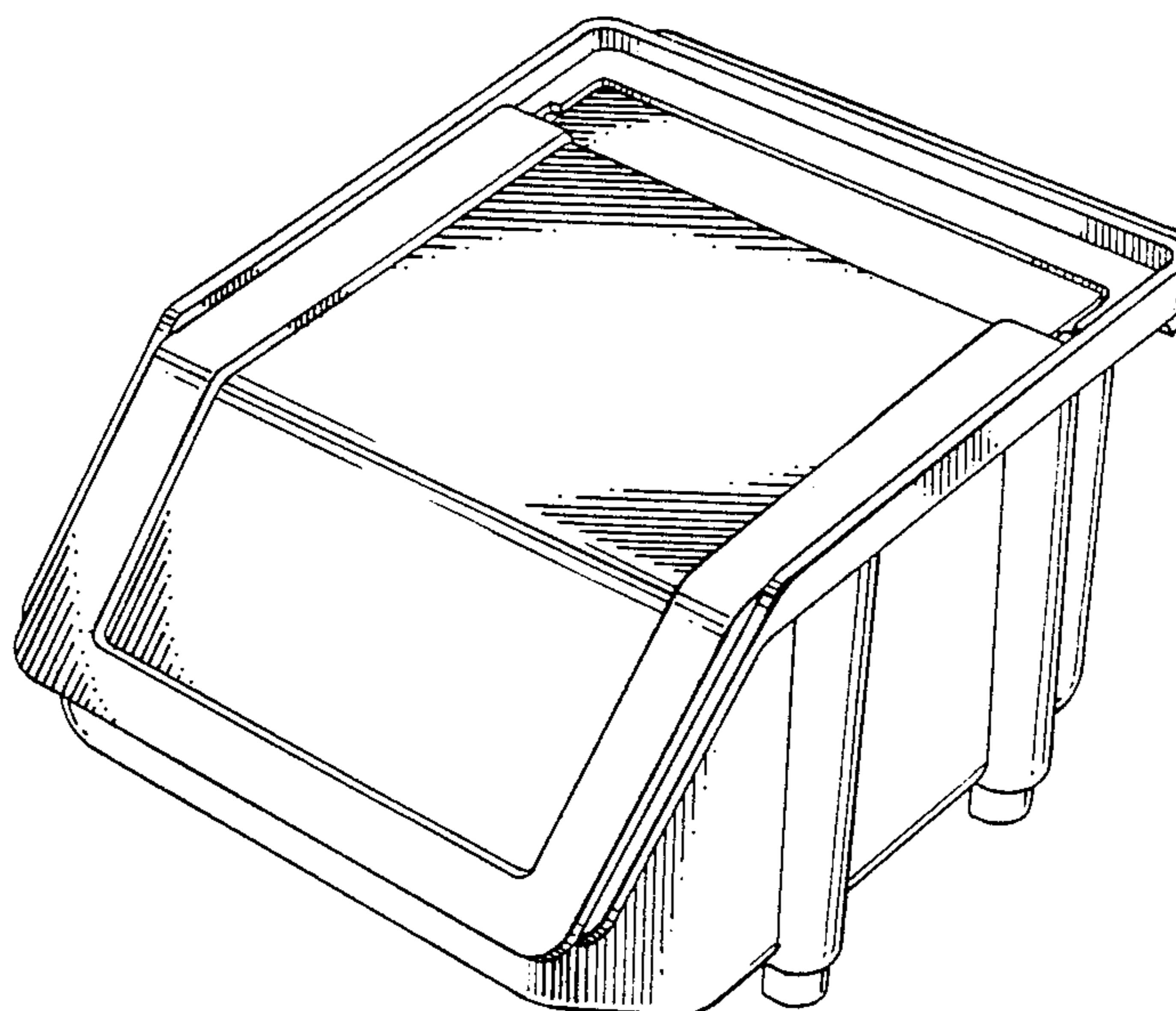
FIG. 2 is a front elevational view thereof.

FIG. 3 is a rear elevational view thereof.

FIG. 4 is a side elevation view thereof. The side opposite to that depicted in FIG. 4 is identical in appearance.

FIG. 5 is a top plan view thereof.

FIG. 6 is a bottom plan view thereof.



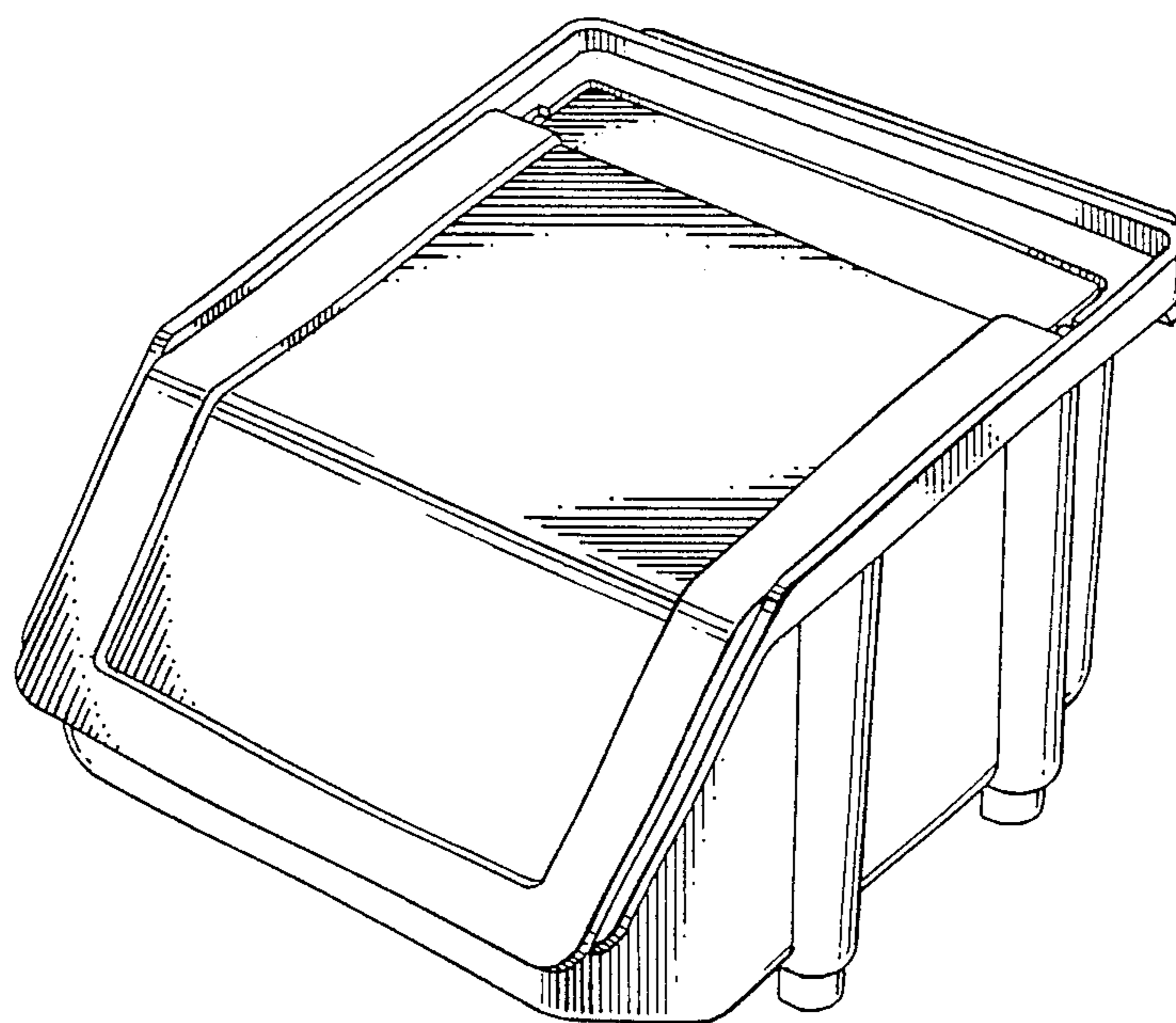


FIG. 1

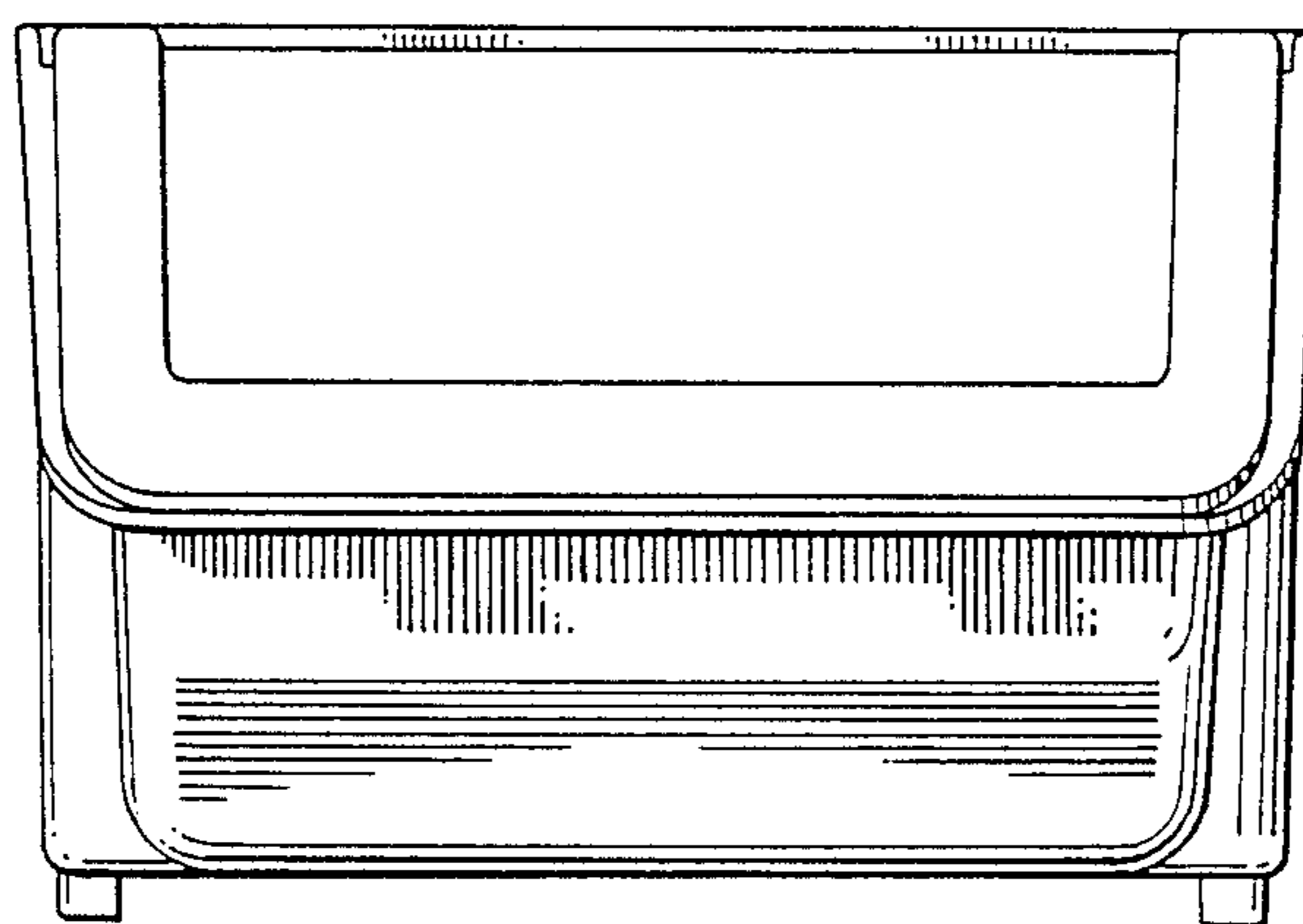


FIG. 2

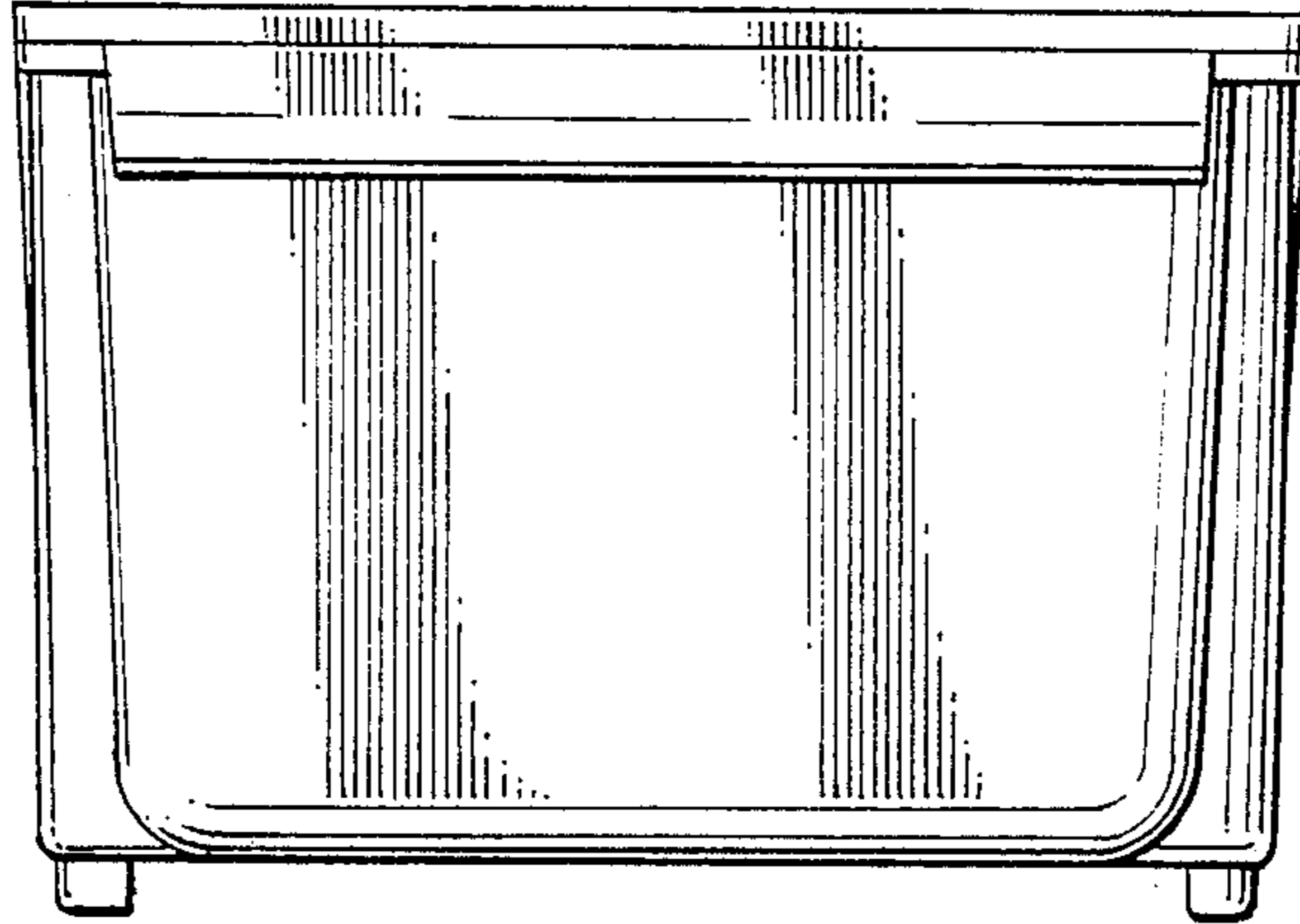


FIG. 3

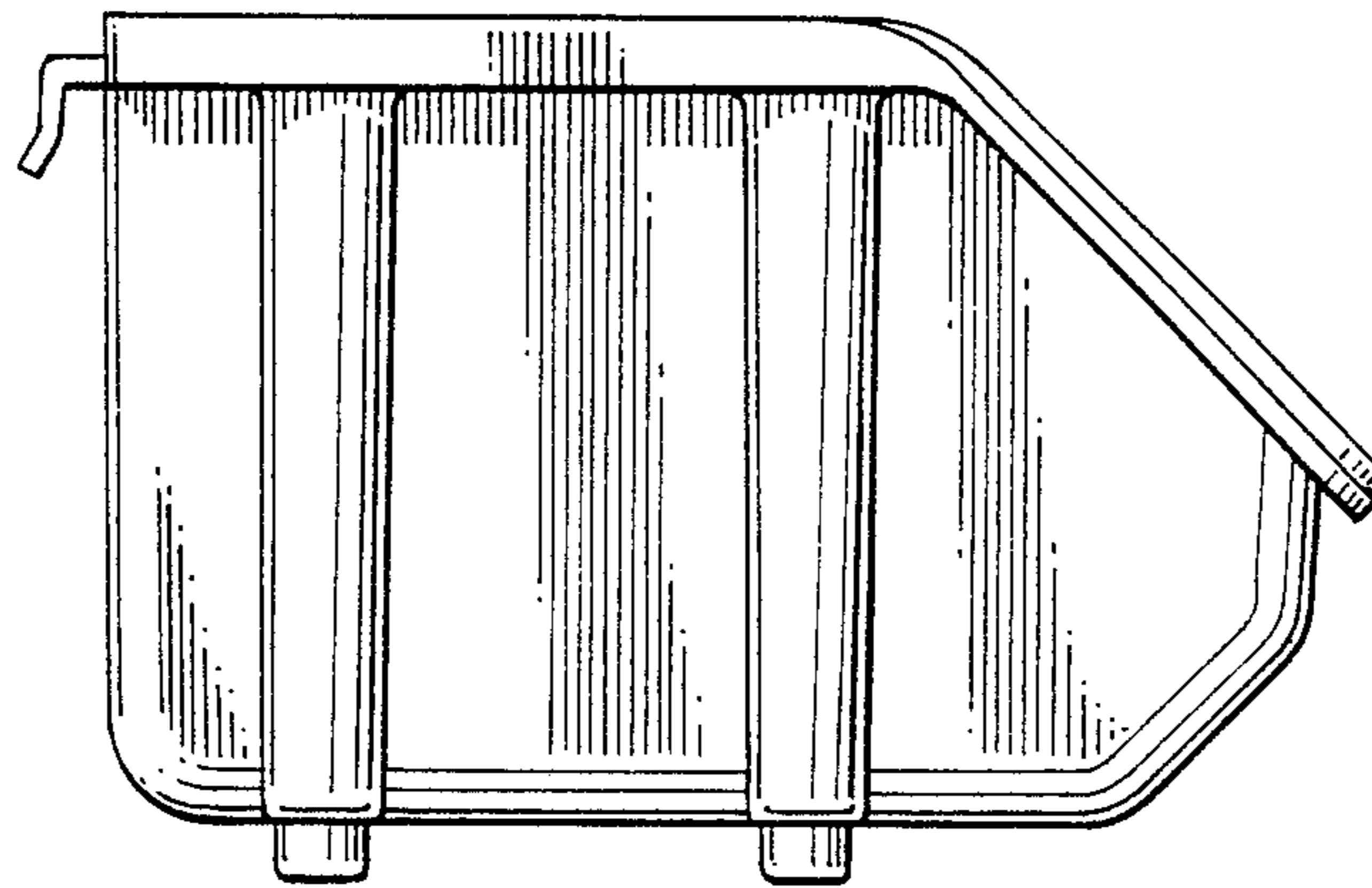


FIG. 4

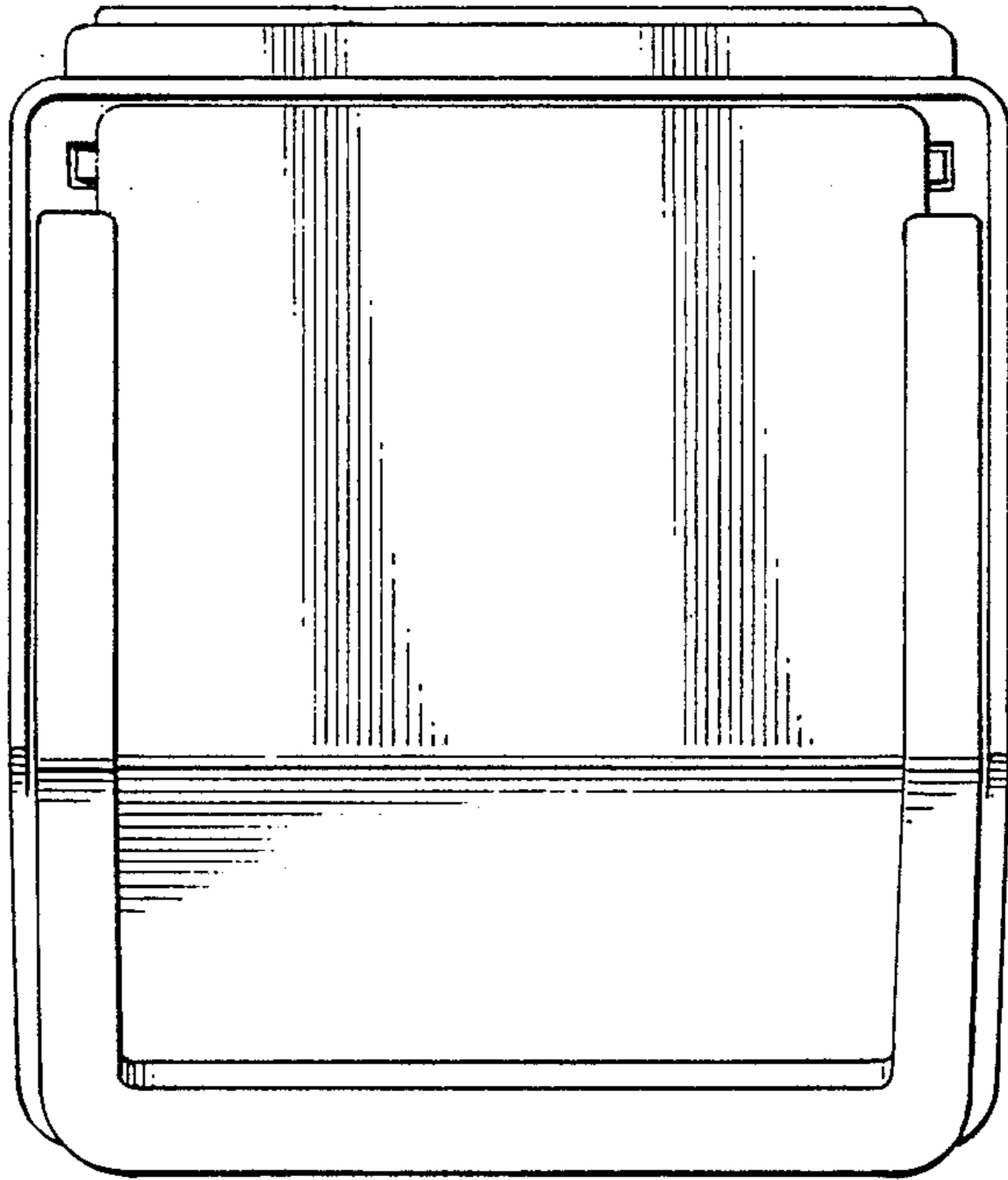


FIG. 5

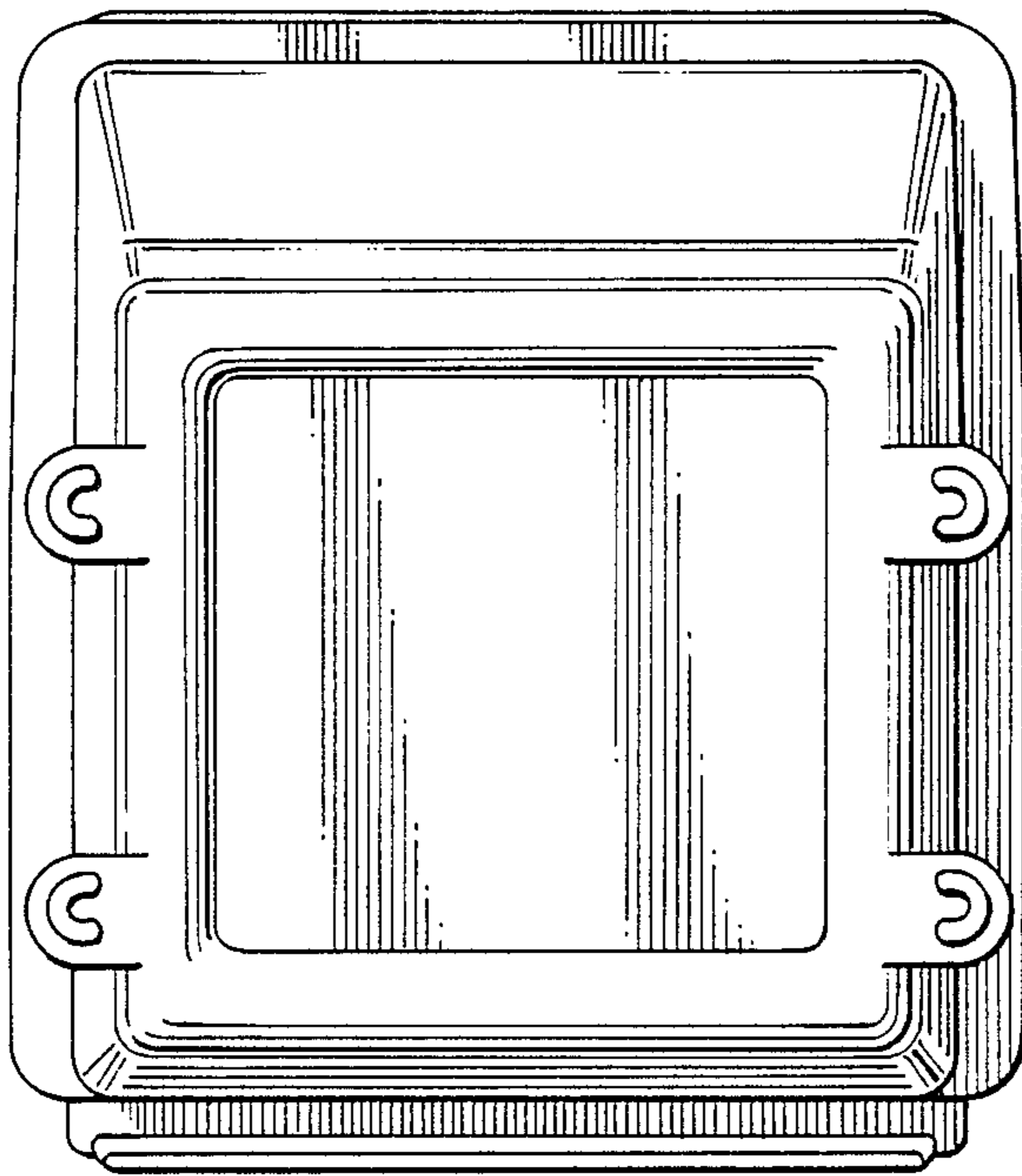


FIG. 6