

United States Patent [19]

Boots et al.

[11] Patent Number: **Des. 311,798**

[45] Date of Patent: **** Oct. 30, 1990**

[54] **LOADING RAMP**

[75] Inventors: **Steven L. Boots, Spokane; Oscar H. Williams, Jr., Newport; Barry S. Wallwork, Spokane, all of Wash.**

[73] Assignee: **Stinson Manufacturing Co., Inc., Spokane, Wash.**

[**] Term: **14 Years**

[21] Appl. No.: **130,672**

[22] Filed: **Dec. 9, 1987**

[52] U.S. Cl. **D34/32**

[58] Field of Search **D34/32, 28; 14/71.1, 14/69.5, 71.7; 414/537**

[56] **References Cited**

U.S. PATENT DOCUMENTS

4,161,795 7/1979 Quest 14/71.1

4,601,632 7/1986 Agee 14/71.1
4,759,682 7/1988 Hood D34/32

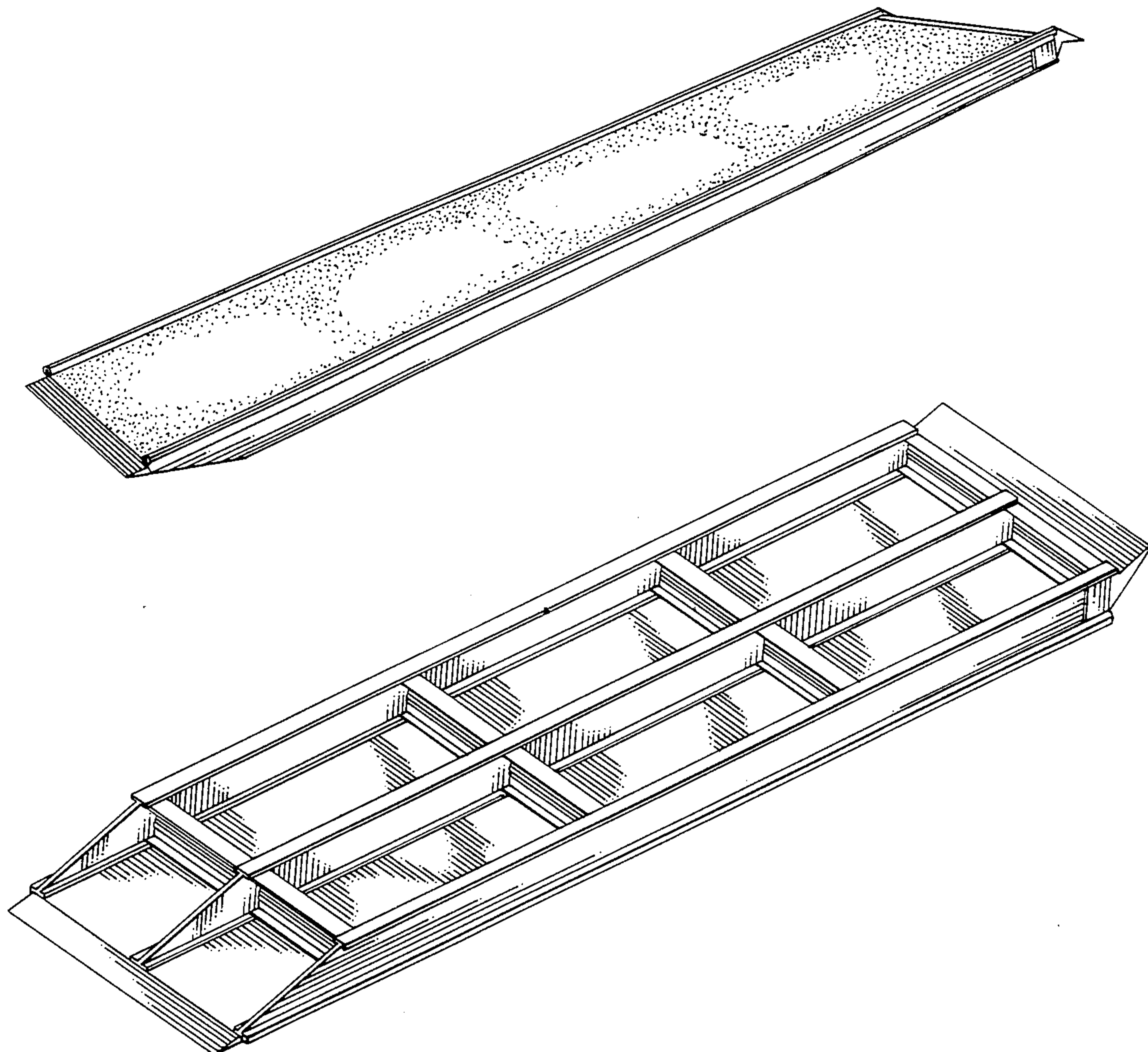
Primary Examiner—Kay H. Chin
Attorney, Agent, or Firm—Wells, St. John & Roberts

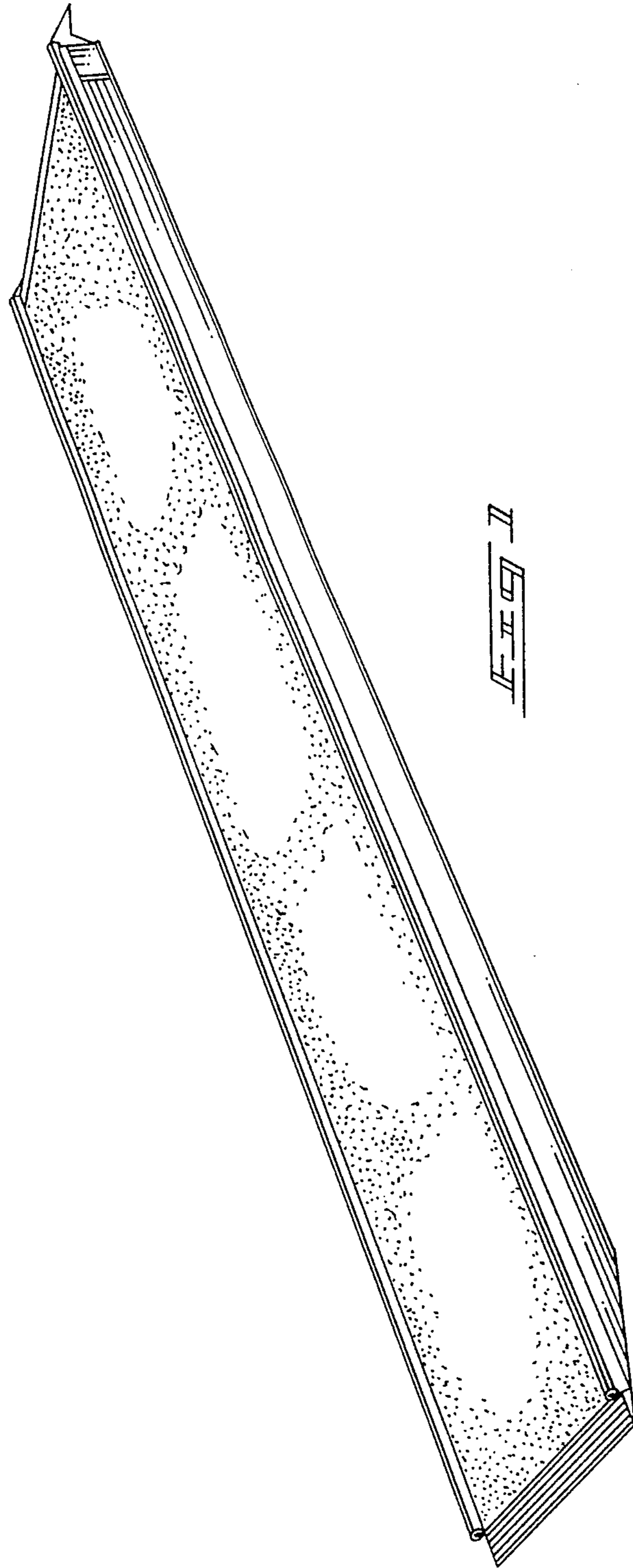
[57] **CLAIM**

The ornamental design for a loading ramp, as shown and described.

DESCRIPTION

FIG. 1 is a top perspective view of a loading ramp showing our new design;
FIG. 2 is a top plan view thereof;
FIG. 3 is a bottom plan view thereof;
FIG. 4 is a side view thereof, the opposite side being identical thereto;
FIG. 5 is a rear elevational view thereof;
FIG. 6 is a front elevational view thereof;
FIG. 7 is a bottom perspective view thereof.





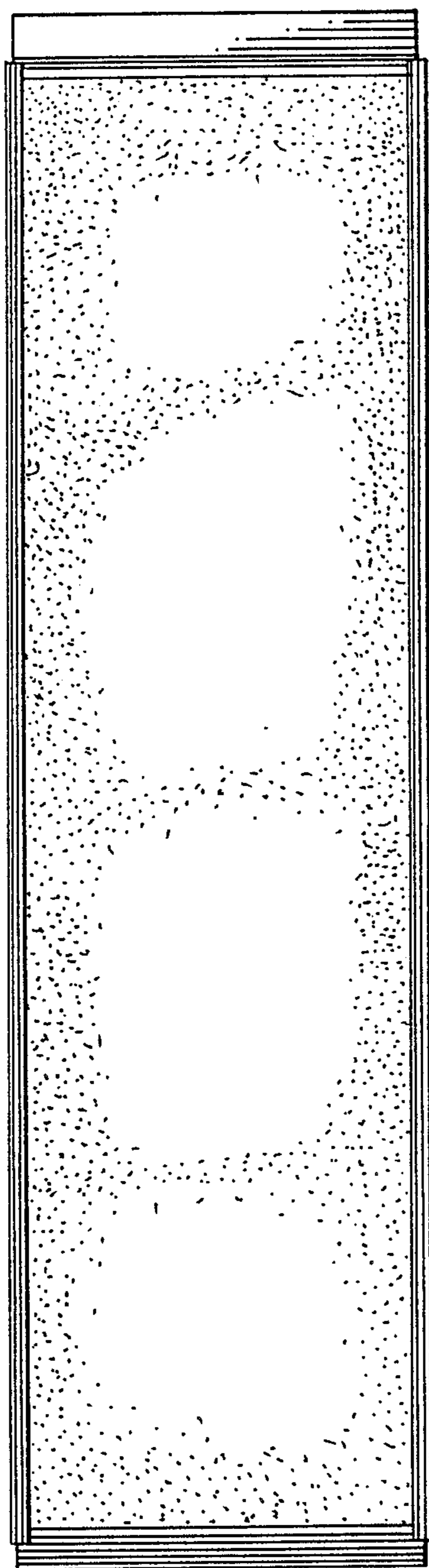


FIG. 2

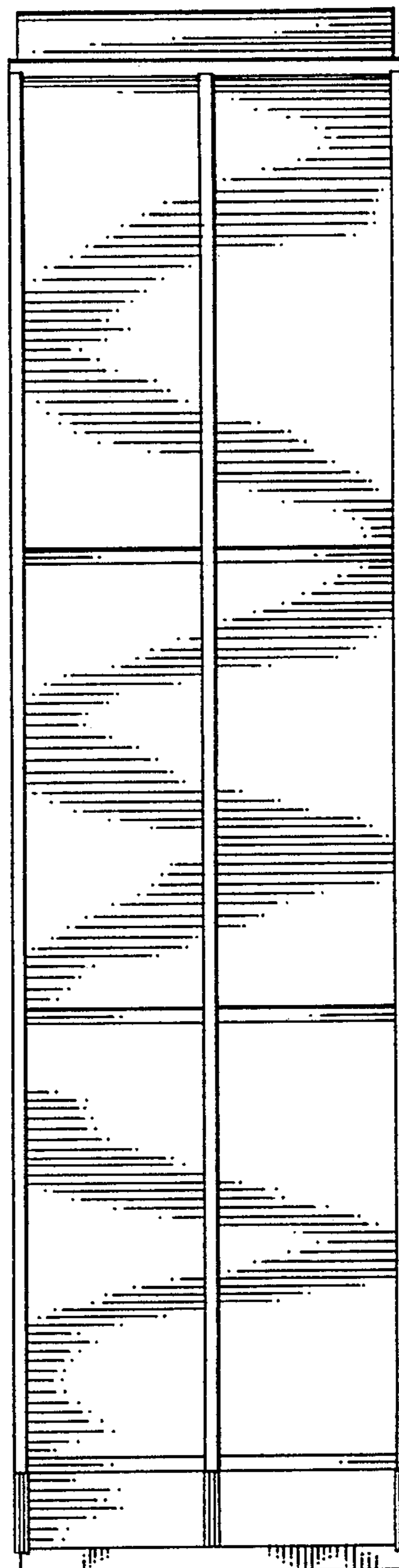


FIG. 3



FIG. 1

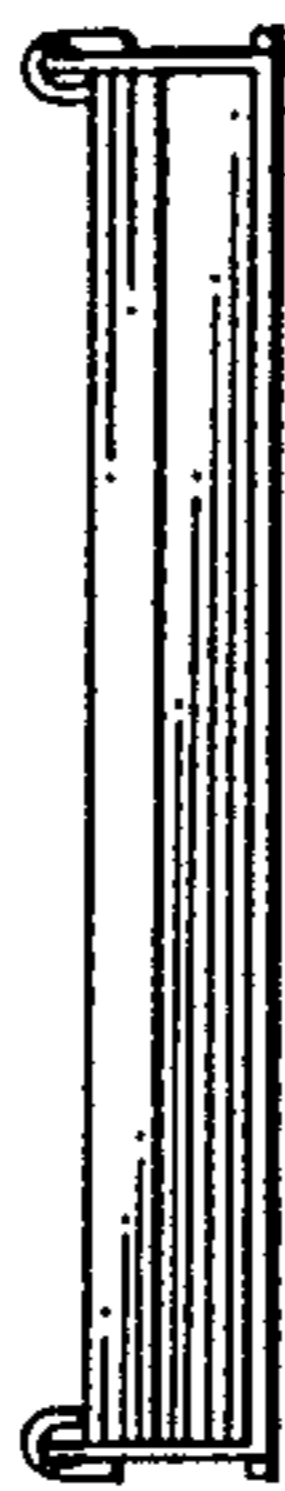


FIG. 2



FIG. 3

