

United States Patent [19]

Hult et al.

[11] Patent Number: **Des. 311,797**

[45] Date of Patent: **** Oct. 30, 1990**

[54] **VACUUM CLEANER SQUEEGEE ATTACHMENT**

[75] Inventors: **David R. Hult; Mark J. Tomasiak,**
both of St. Charles County, Mo.

[73] Assignee: **Emerson Electric Co., St. Louis, Mo.**

[**] Term: **14 Years**

[21] Appl. No.: **223,928**

[22] Filed: **Jul. 25, 1988**

[52] U.S. Cl. **D32/32**

[58] Field of Search **D32/25, 31-34;**
15/415 R, 415 A, 418, 419, 420, 421, 422, 98,
117, 121, 245

[56] **References Cited**

U.S. PATENT DOCUMENTS

D. 206,055 10/1966 Bearnse et al. **D32/32**

3,571,841 3/1971 Crouser 15/422
4,446,593 5/1984 Bell et al. 15/415 A

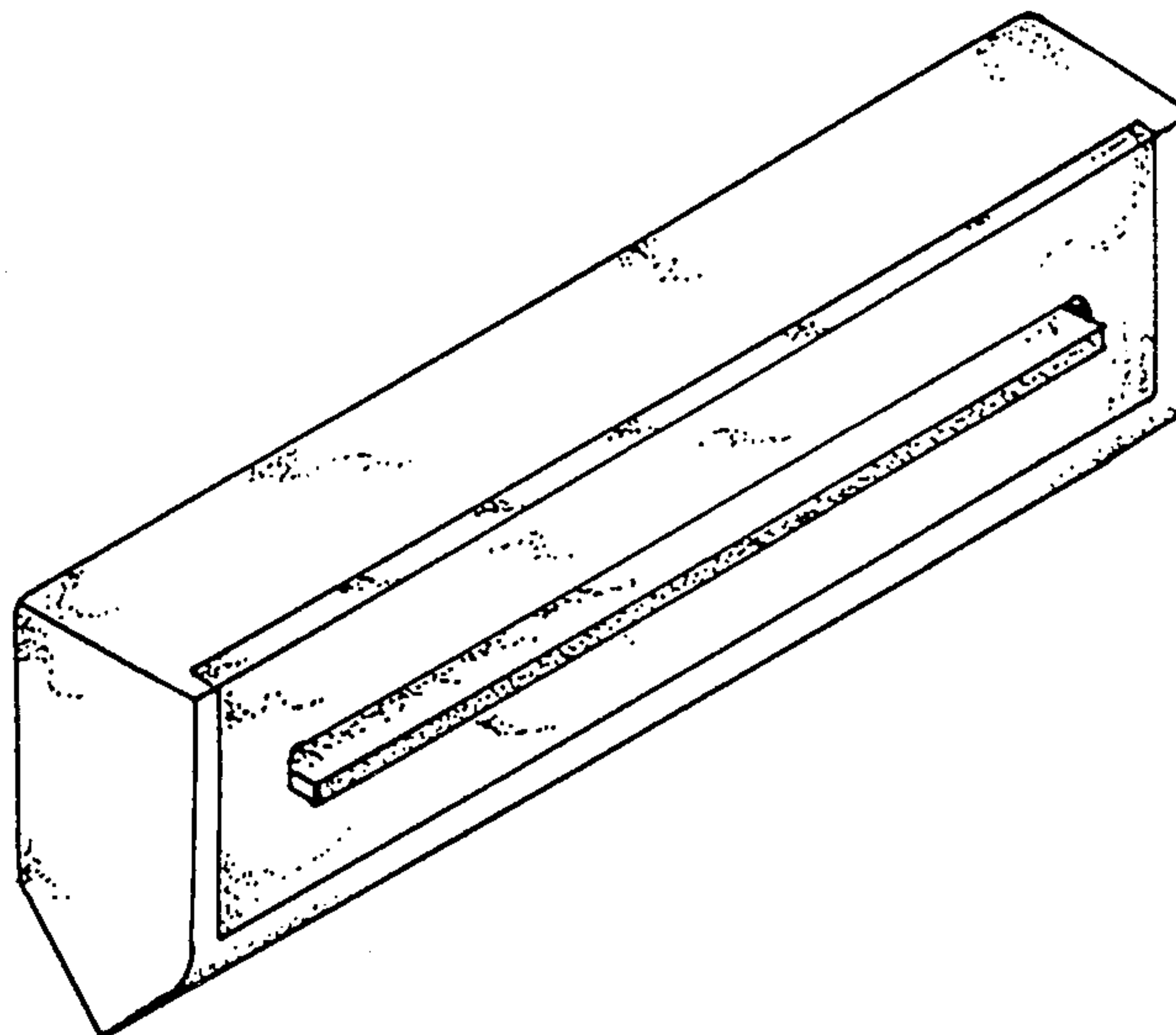
Primary Examiner—A. Hugo Word
Assistant Examiner—Ruth McInroy
Attorney, Agent, or Firm—Polster, Polster and Lucchesi

[57] **CLAIM**

The ornamental design for vacuum cleaner squeegee attachment, as shown and described.

DESCRIPTION

FIG. 1 is a perspective view of a vacuum cleaner squeegee attachment showing my new design; FIG. 2 is a rear elevational view thereof; FIG. 3 is a left side elevational view thereof; FIG. 4 is a front elevational view thereof; FIG. 5 is a right side elevational view thereof; FIG. 6 is a bottom plan view thereof; and FIG. 7 is a top plan view thereof.



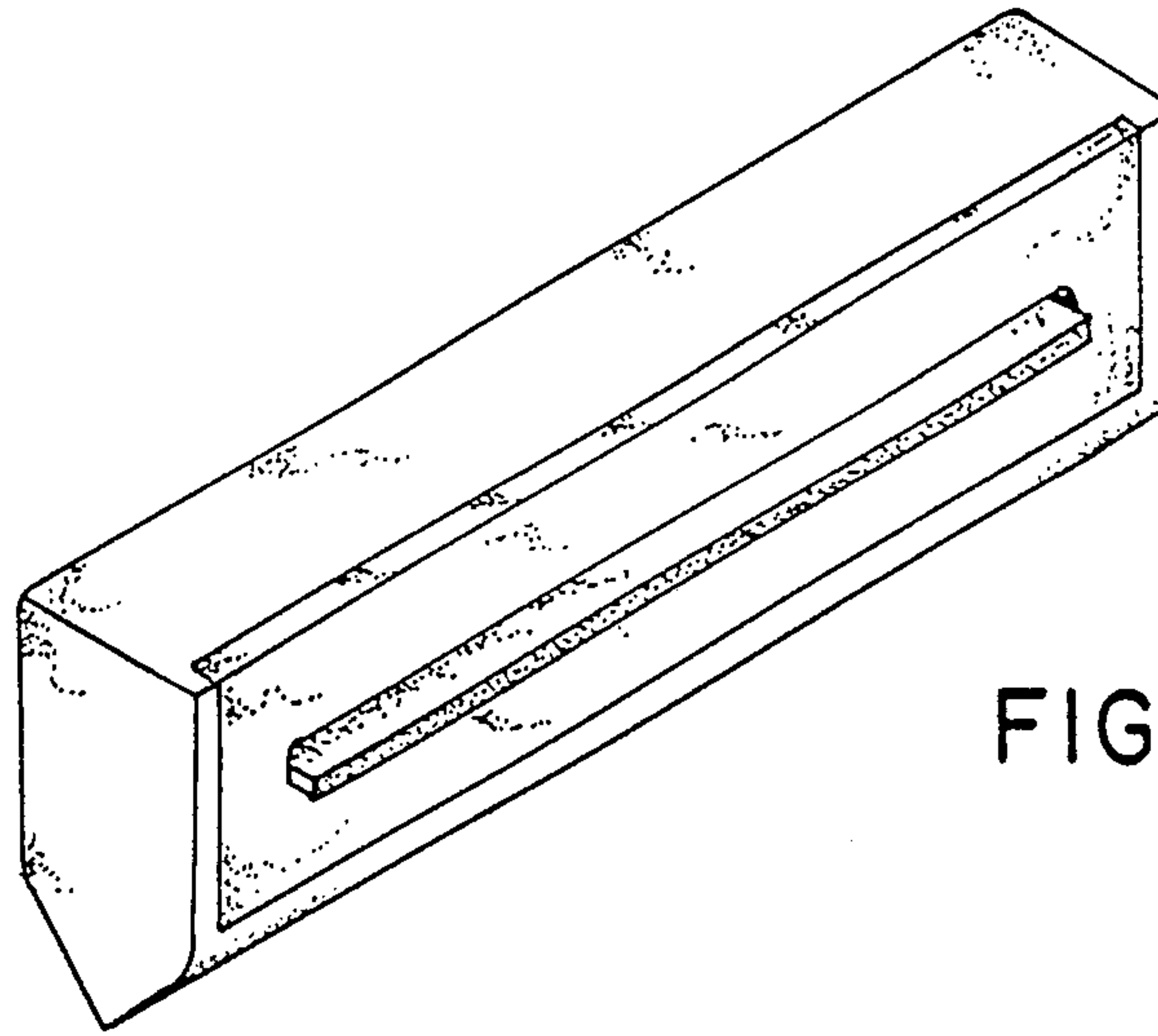


FIG. 1.

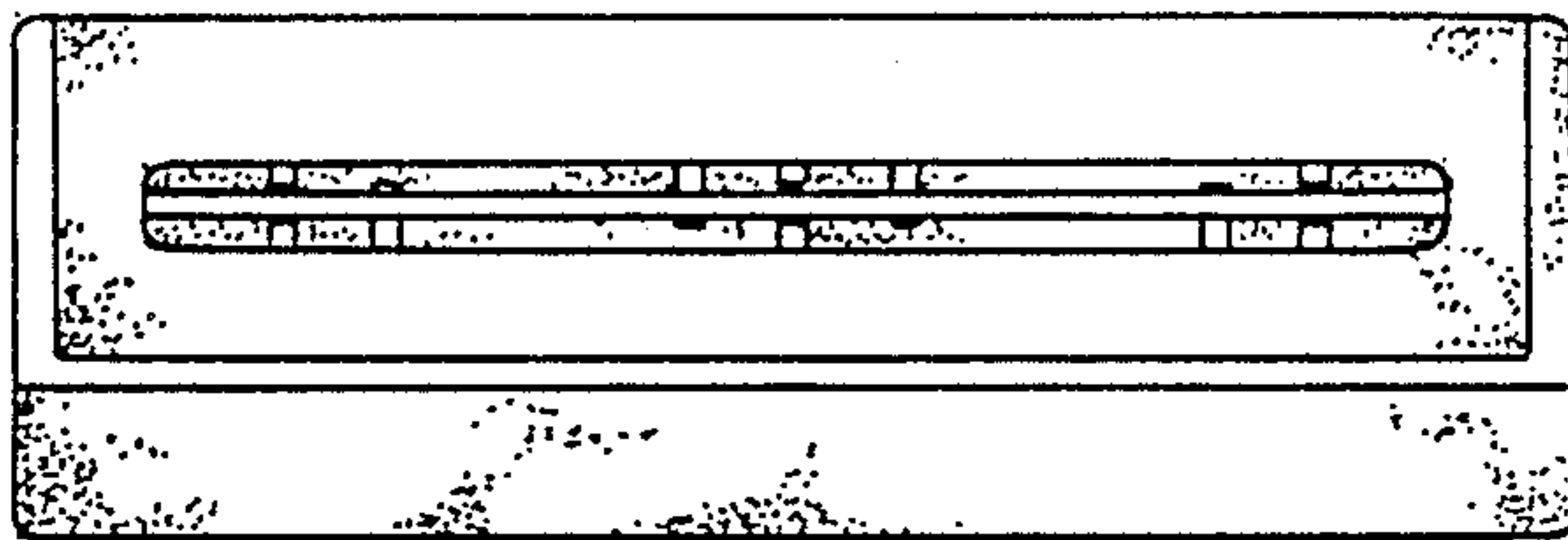


FIG. 2.

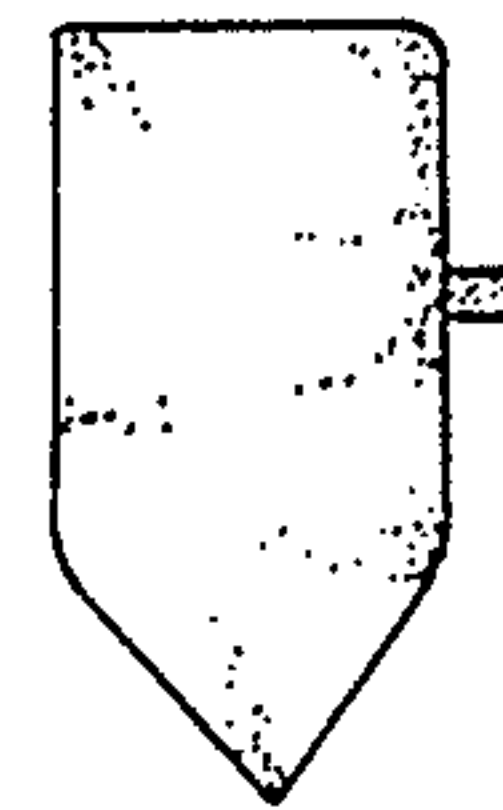


FIG. 3.

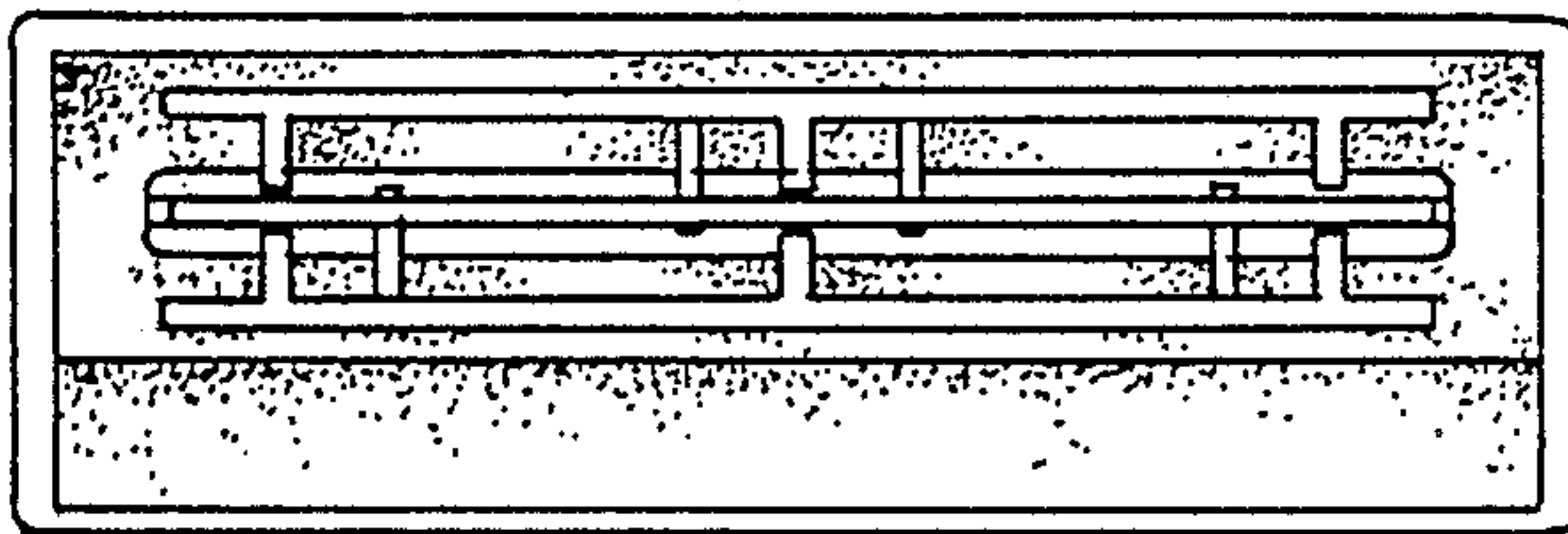


FIG. 4.

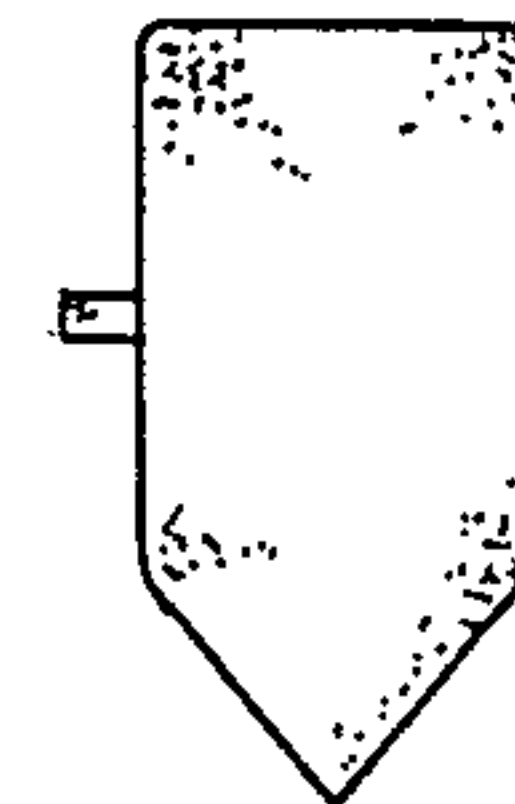


FIG. 5.

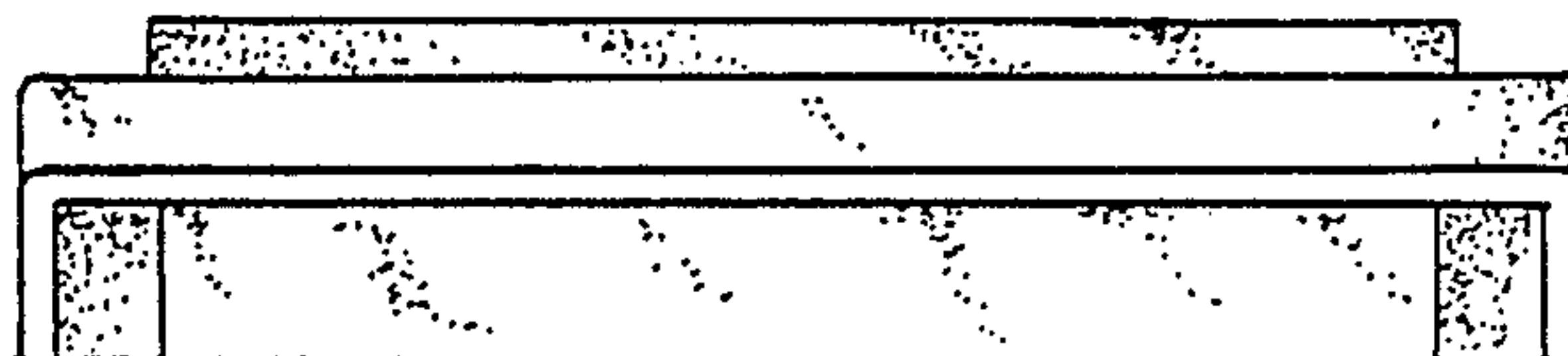


FIG. 6.

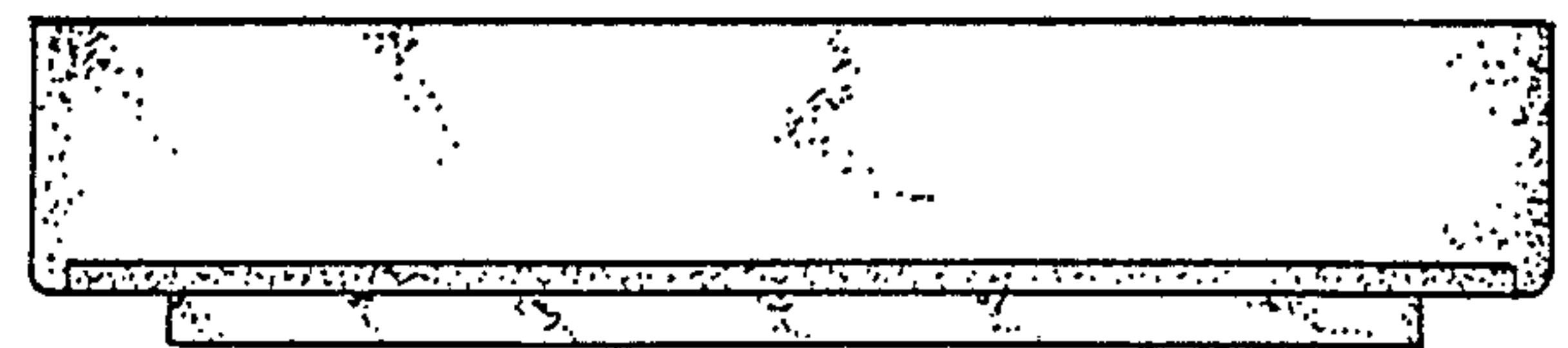


FIG. 7.